

US00D590371S

(12) **United States Design Patent**  
**Leinvuo**

(10) **Patent No.:** **US D590,371 S**  
(45) **Date of Patent:** **\*\* Apr. 14, 2009**

(54) **HEADSET**

(75) Inventor: **Toni Antero Leinvuo**, London (GB)

(73) Assignee: **Nokia Corporation**, Espoo (FI)

(\*\*) Term: **14 Years**

(21) Appl. No.: **29/306,370**

(22) Filed: **Apr. 8, 2008**

(51) **LOC (9) Cl.** ..... **14-01**

(52) **U.S. Cl.** ..... **D14/205**

(58) **Field of Classification Search** ..... D14/218,  
D14/240, 205, 206, 223; D13/168; 379/420.04,  
379/430, 433.01, 420.02, 420.03; 381/380,  
381/381, 374, 375, 384, 385, 418, 322; 455/269,  
455/569.1, 569.2, 557, 90.3; 363/146  
See application file for complete search history.

(56) **References Cited**

U.S. PATENT DOCUMENTS

1,973,410	A *	9/1934	Greibach	.....	381/418
2,754,365	A *	7/1956	Walters	.....	381/322
D316,550	S *	4/1991	Sogabe	.....	D14/168
5,222,151	A *	6/1993	Nagayoshi et al.	.....	381/380
6,122,369	A *	9/2000	Hwang et al.	.....	379/420.04
D460,432	S *	7/2002	Brown	.....	D14/203.5
6,438,248	B1 *	8/2002	Kamimura et al.	.....	381/374
D469,753	S *	2/2003	Andre et al.	.....	D14/205
D511,157	S *	11/2005	Johnson	.....	D14/223
D517,052	S *	3/2006	Skulley	.....	D14/223

D520,991	S *	5/2006	Ma et al.	.....	D14/240
D526,642	S *	8/2006	Choe	.....	D14/205
7,139,590	B2 *	11/2006	Liu et al.	.....	455/557
D558,735	S *	1/2008	Carr et al.	.....	D14/206
D565,023	S *	3/2008	Yamagishi	.....	D14/205
D567,216	S *	4/2008	Densho	.....	D14/205

\* cited by examiner

*Primary Examiner*—Paula Greene

(74) *Attorney, Agent, or Firm*—Banner & Witcoff, Ltd

(57) **CLAIM**

The ornamental design for a headset, as shown and described.

**DESCRIPTION**

FIG. 1 is a rear perspective view of a headset showing my new design with the ear pieces and end plug in one position for use;

FIG. 2 is a front perspective view thereof;

FIG. 3 is a rear view thereof;

FIG. 4 is a right side view thereof;

FIG. 5 is a left side view thereof;

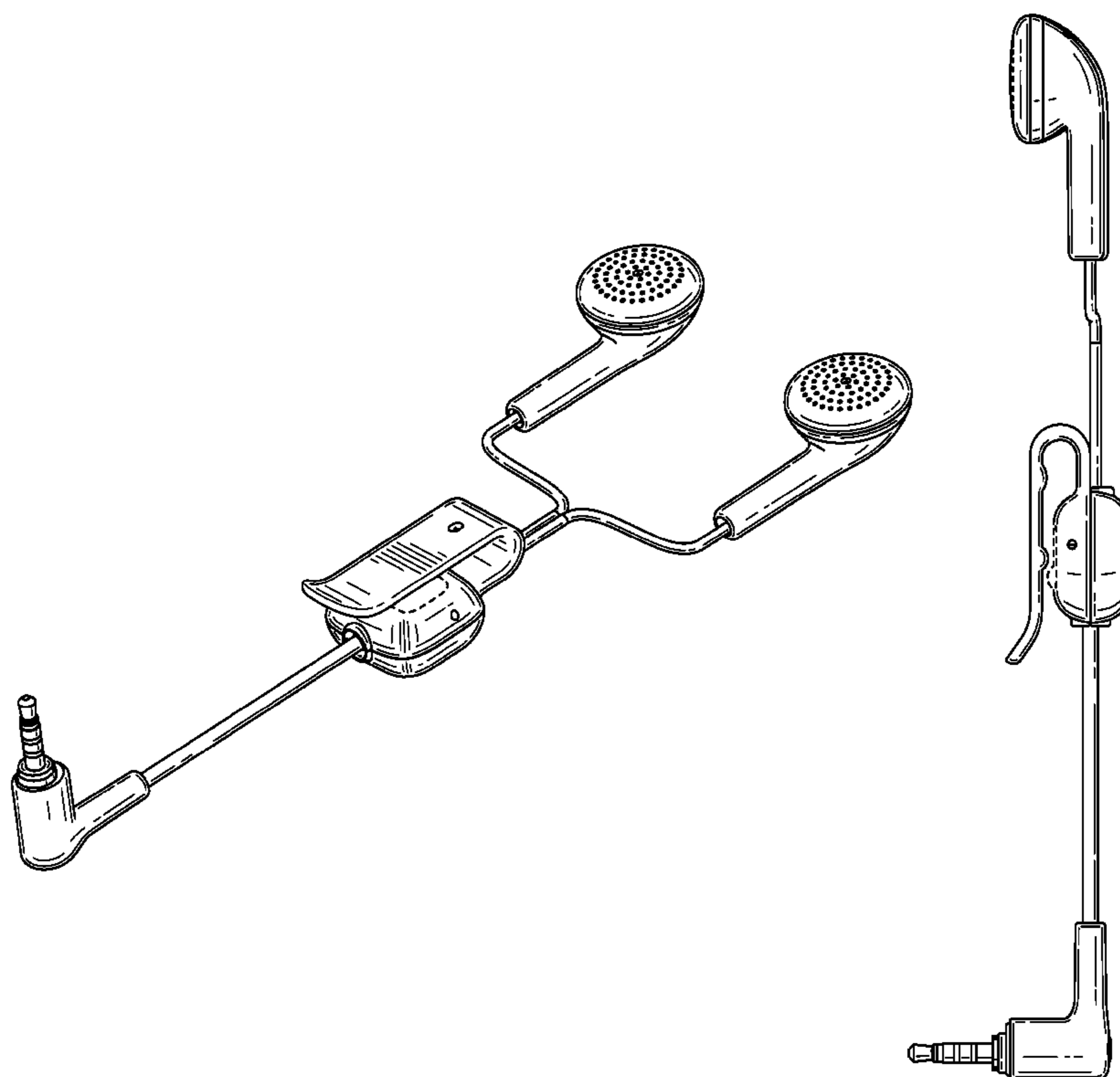
FIG. 6 is a top view thereof;

FIG. 7 is a bottom view thereof; and,

FIG. 8 is a front thereof.

The broken line showing environmental structure is for illustrative purposes only and forms no part of the claimed design.

**1 Claim, 6 Drawing Sheets**



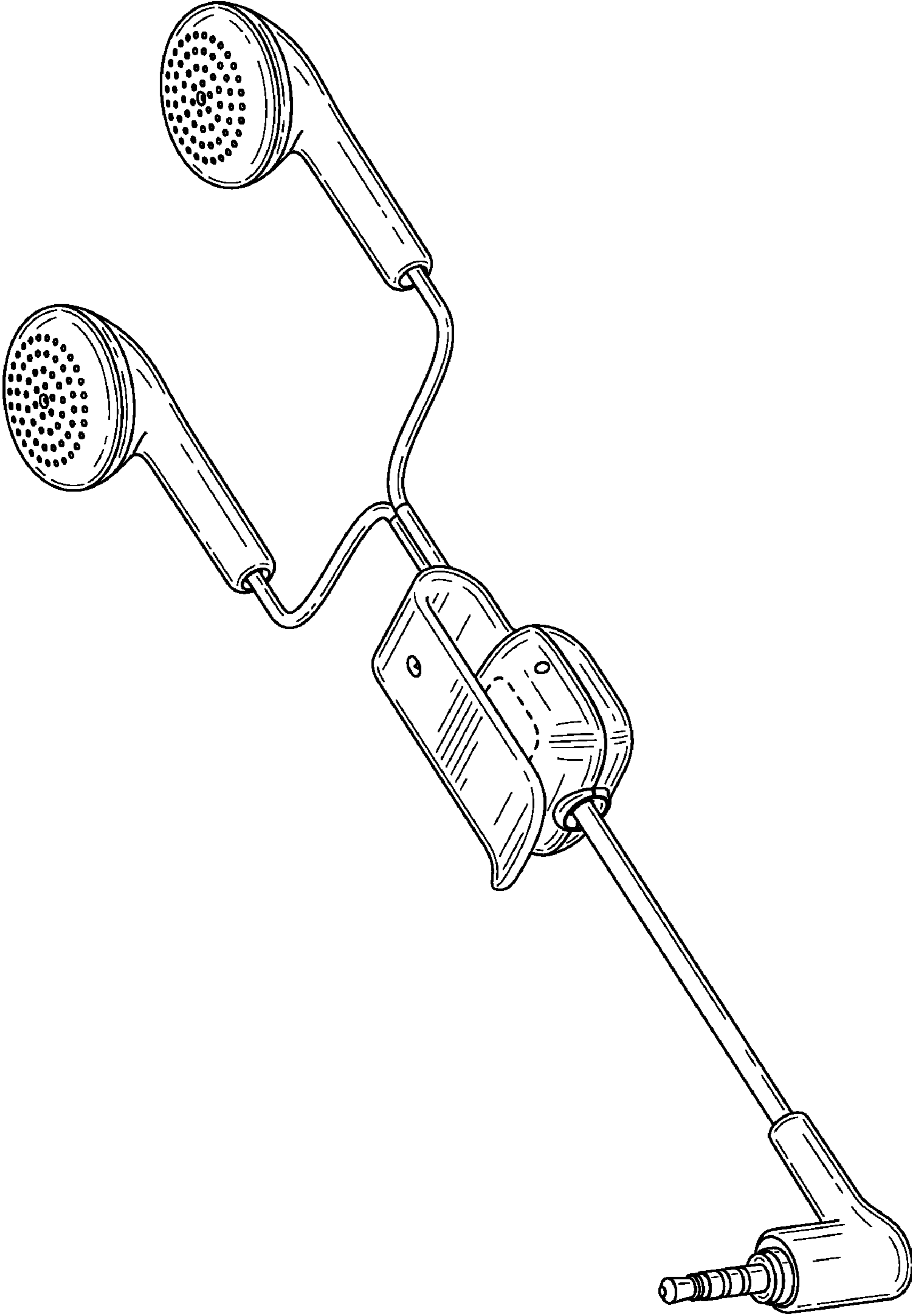


FIG. 1

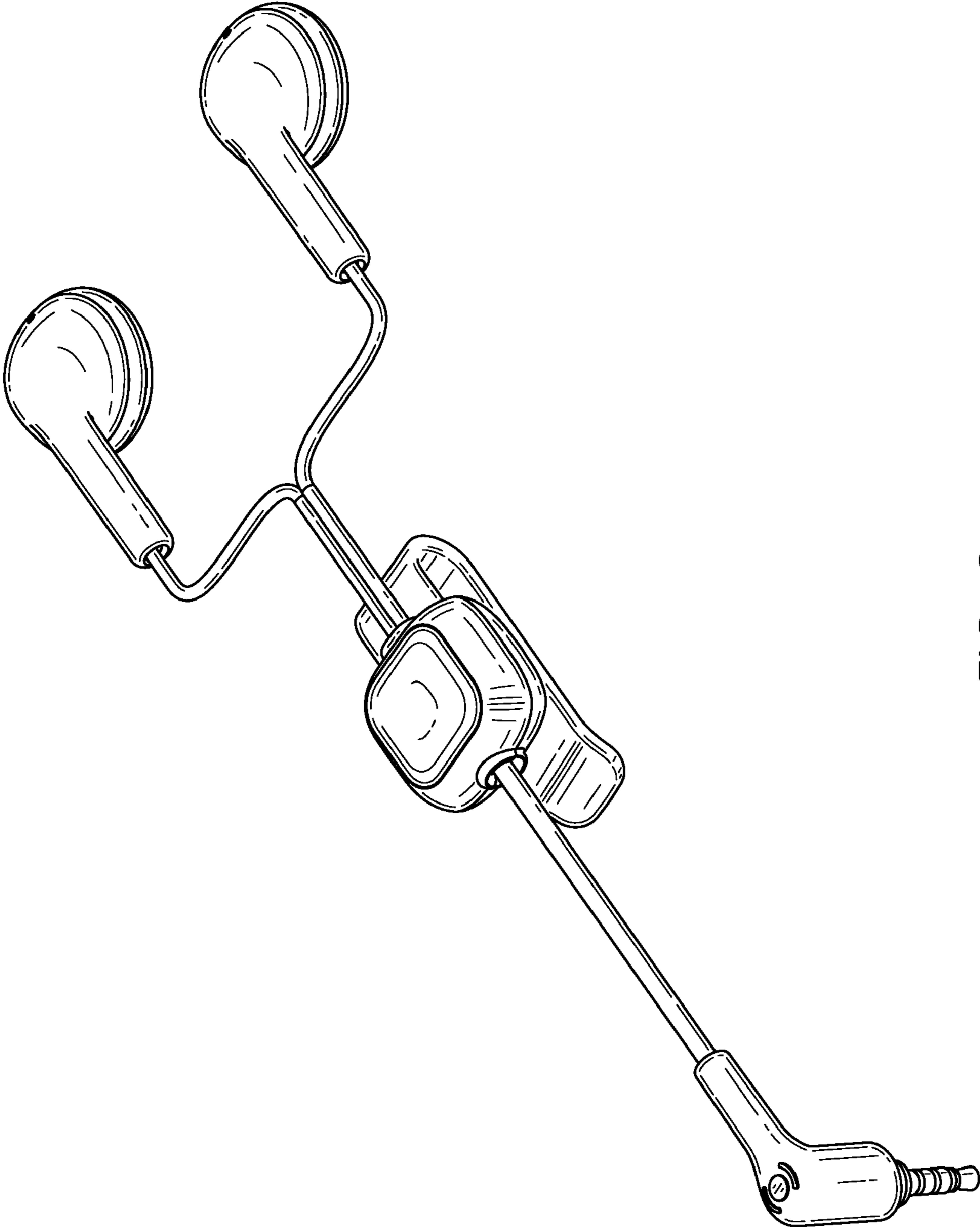


FIG. 2

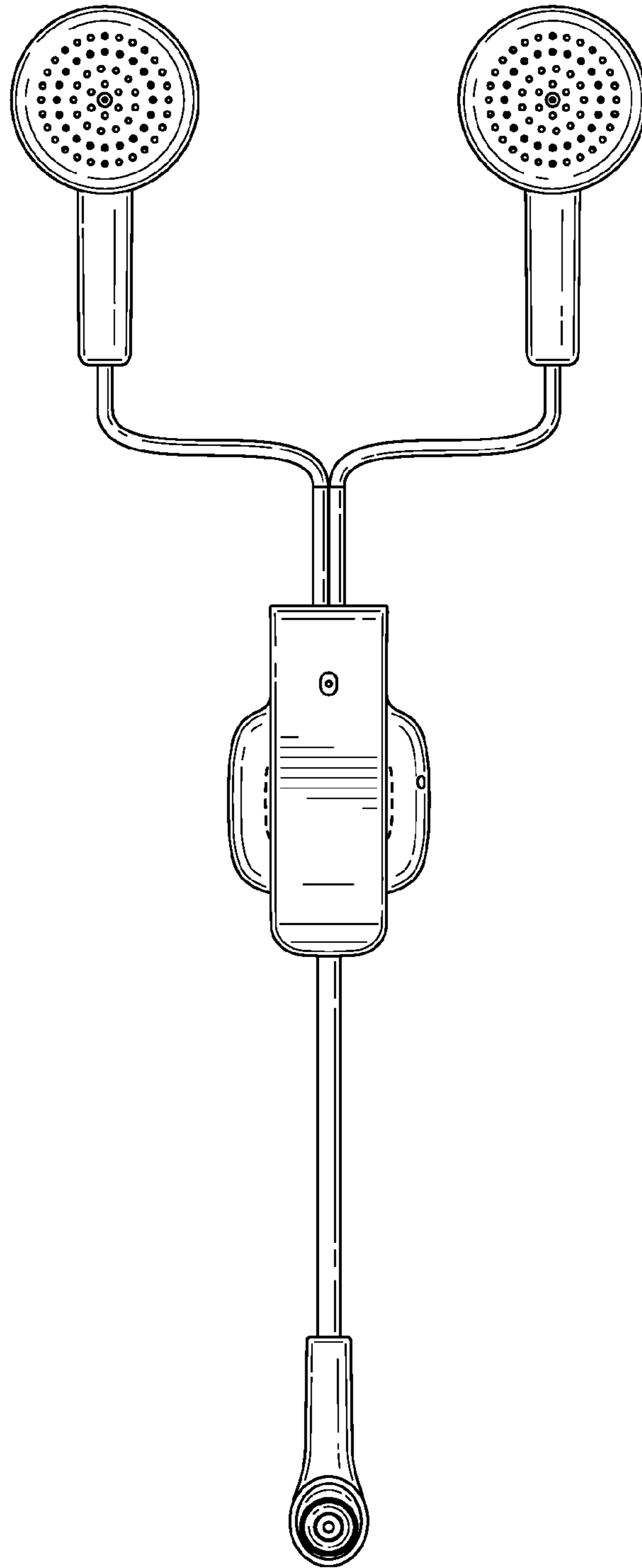


FIG. 3

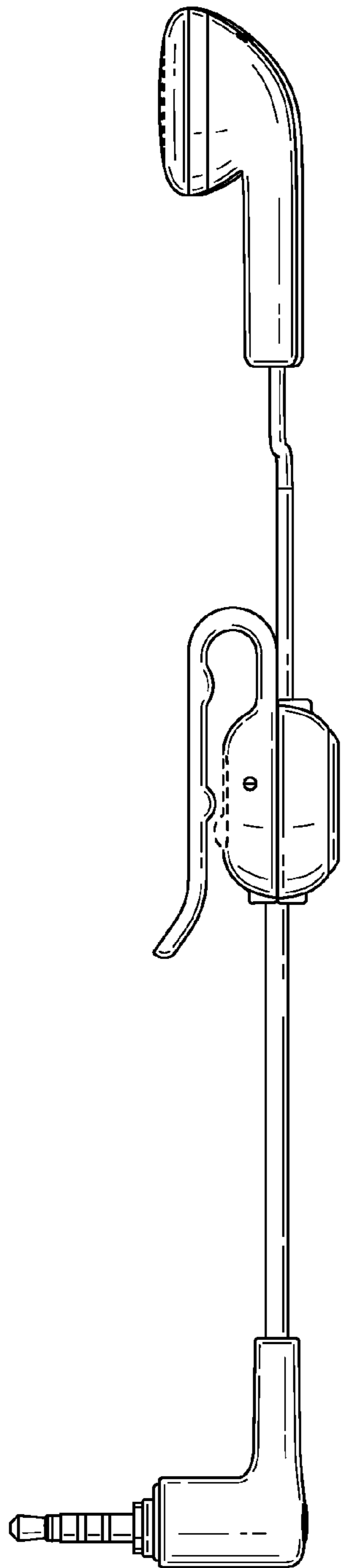


FIG. 4

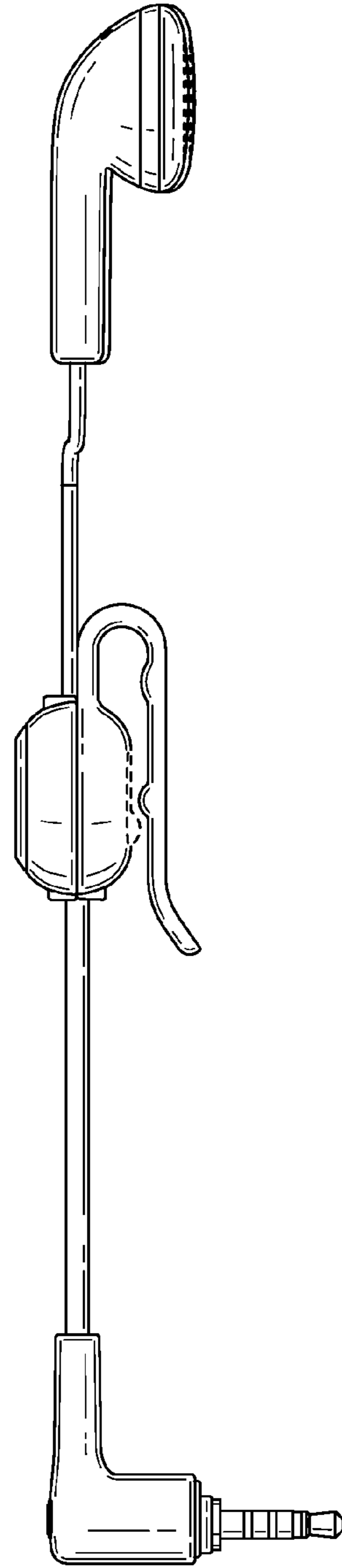


FIG. 5

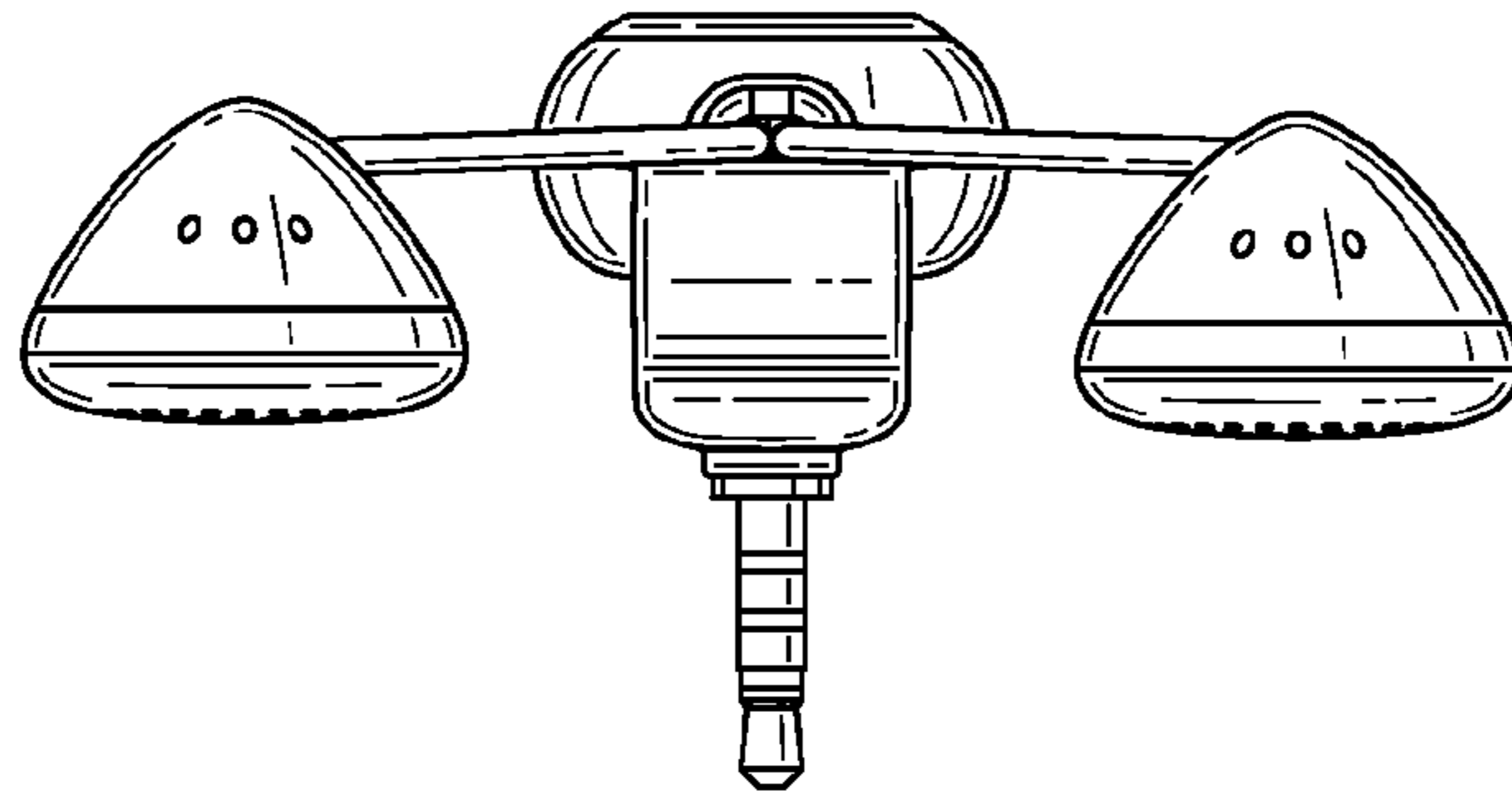


FIG. 6

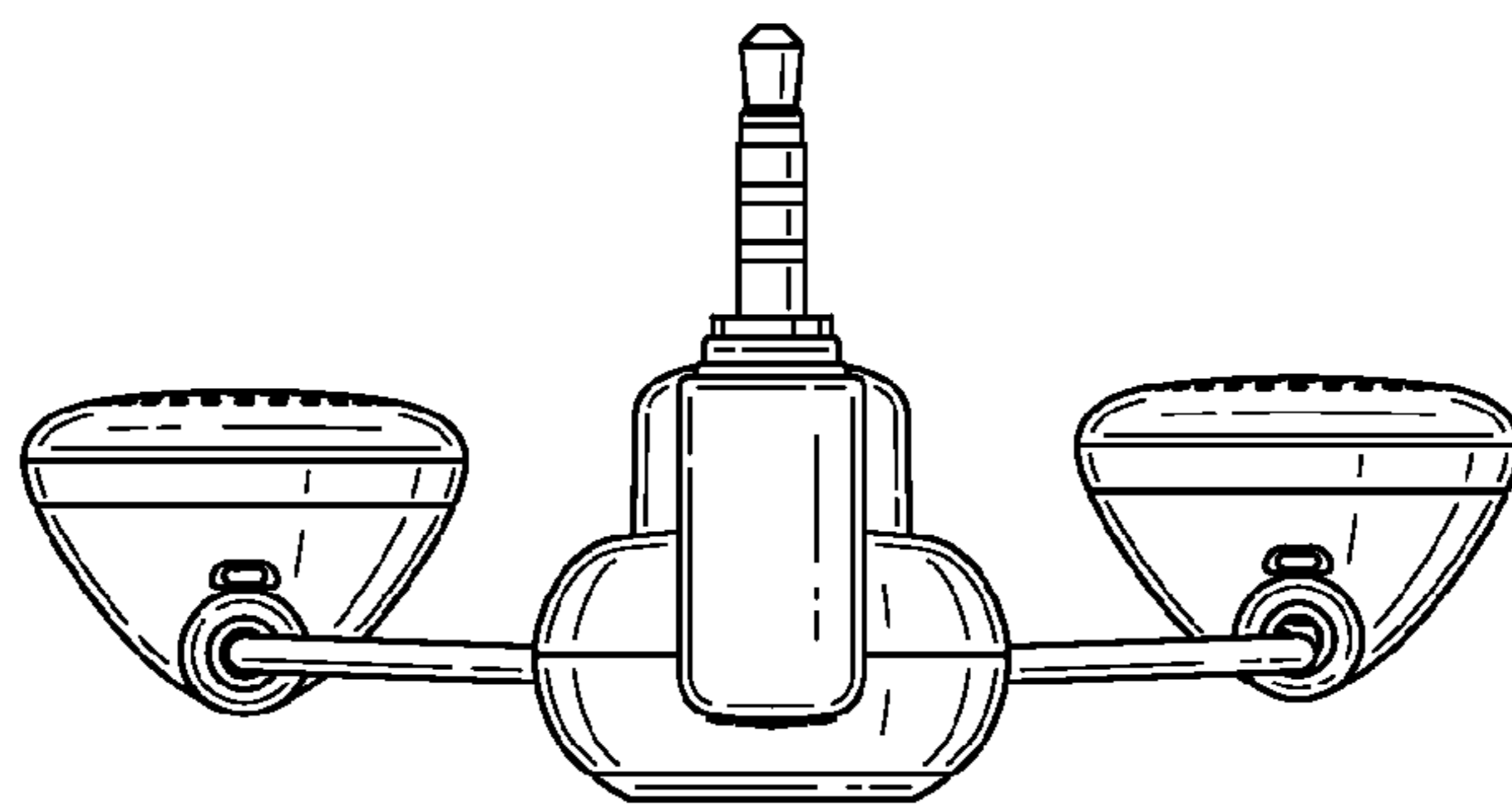


FIG. 7

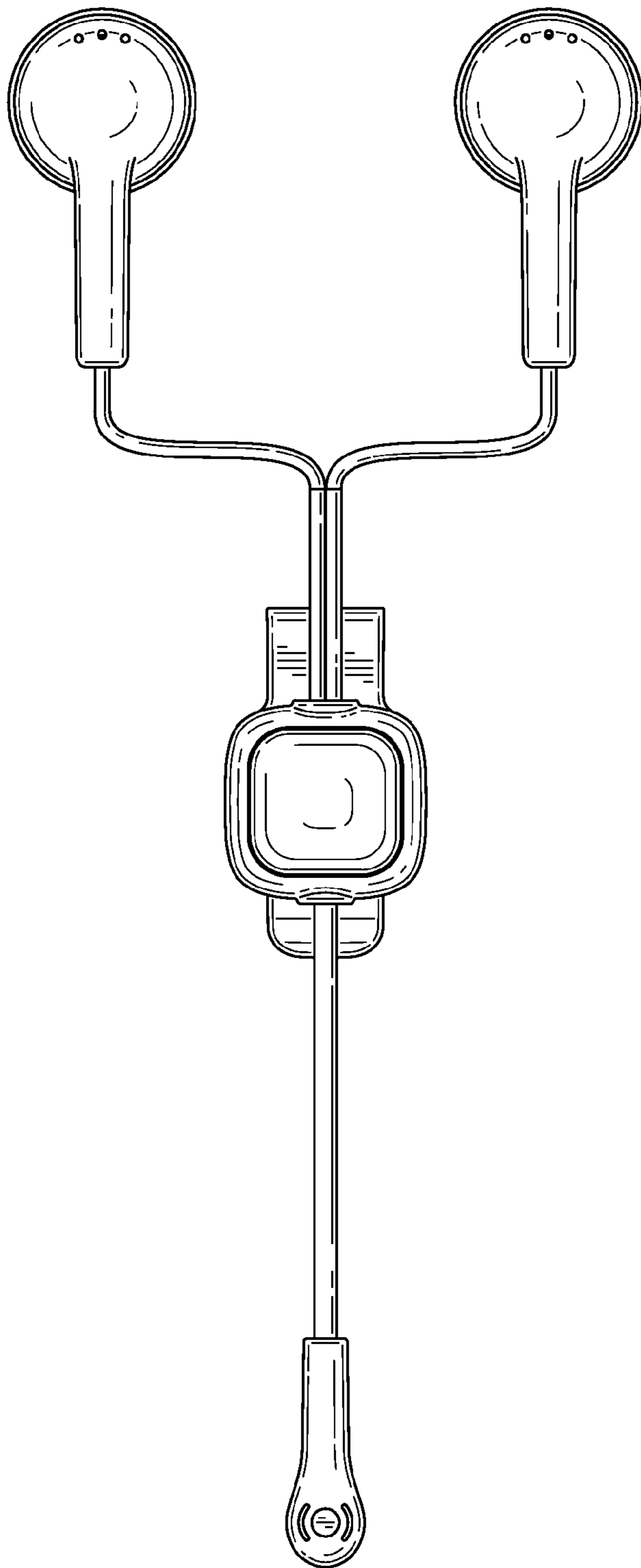


FIG. 8