



(12) **United States Design Patent**
Kim et al.

(10) **Patent No.:** **US D590,365 S**
(45) **Date of Patent:** **** Apr. 14, 2009**

(54) **PORTABLE PHONE**

(75) Inventors: **Young-Sae Kim**, Palo Alto, CA (US);
Chi-Young Ahn, Seoul (KR); **Young-Ju Yeo**, Seoul (KR); **Chang-Hwan Hwang**, Goyang-Si (KR)

(73) Assignee: **Samsung Electronics Co., Ltd.**, Suwon-Si- (KR)

(**) Term: **14 Years**

(21) Appl. No.: **29/274,716**

(22) Filed: **May 17, 2007**

(30) **Foreign Application Priority Data**

Dec. 14, 2006 (KR) 30-2006-0049753

(51) **LOC (9) Cl.** **14-03**

(52) **U.S. Cl.** **D14/138 AB; D14/138 AC**

(58) **Field of Classification Search** D14/137,
D14/138, 147, 218, 247-248, 341-347; 455/90.3,
455/556.1, 556.2, 575.1, 575.3, 575.4; 379/433.01-433.13;
361/814; 348/14.02

See application file for complete search history.

(56) **References Cited**

U.S. PATENT DOCUMENTS

5,712,760	A *	1/1998	Coulon et al.	361/680
D394,045	S *	5/1998	Iino	D14/320
5,995,025	A *	11/1999	Sternglass et al.	341/22
D430,566	S *	9/2000	Chu et al.	D14/345
D448,032	S *	9/2001	Talley	D14/396
D449,605	S *	10/2001	Schebesch et al.	D14/345
D457,525	S *	5/2002	Olodort et al.	D14/396
D468,279	S *	1/2003	Kim et al.	D14/138

(Continued)

OTHER PUBLICATIONS

NEC N920, announced 3rd quarter 2004, [online], [retrieved on Dec. 13, 2007]. Retrieved from Internet ,<URL: <http://www.gsmarena.com>>.*

BenQ Z2, announced 1st quarter 2005, [online], [retrieved on Dec. 13, 2007]. Retrieved from Internet ,<URL: <http://www.gsmarena.com>>.*

NEC N900, announced 1st quarter 2004, [online], [retrieved on Dec. 13, 2007]. Retrieved from Internet ,<URL: <http://www.gsmarena.com>>.*

NEC N910, announced 1st quarter 2004, [online], [retrieved on Dec. 13, 2007]. Retrieved from Internet ,<URL: <http://www.gsmarena.com>>.*

Primary Examiner—Jeffrey D Asch

Assistant Examiner—Bridget L Eland

(74) *Attorney, Agent, or Firm*—Staas & Halsey LLP

(57) **CLAIM**

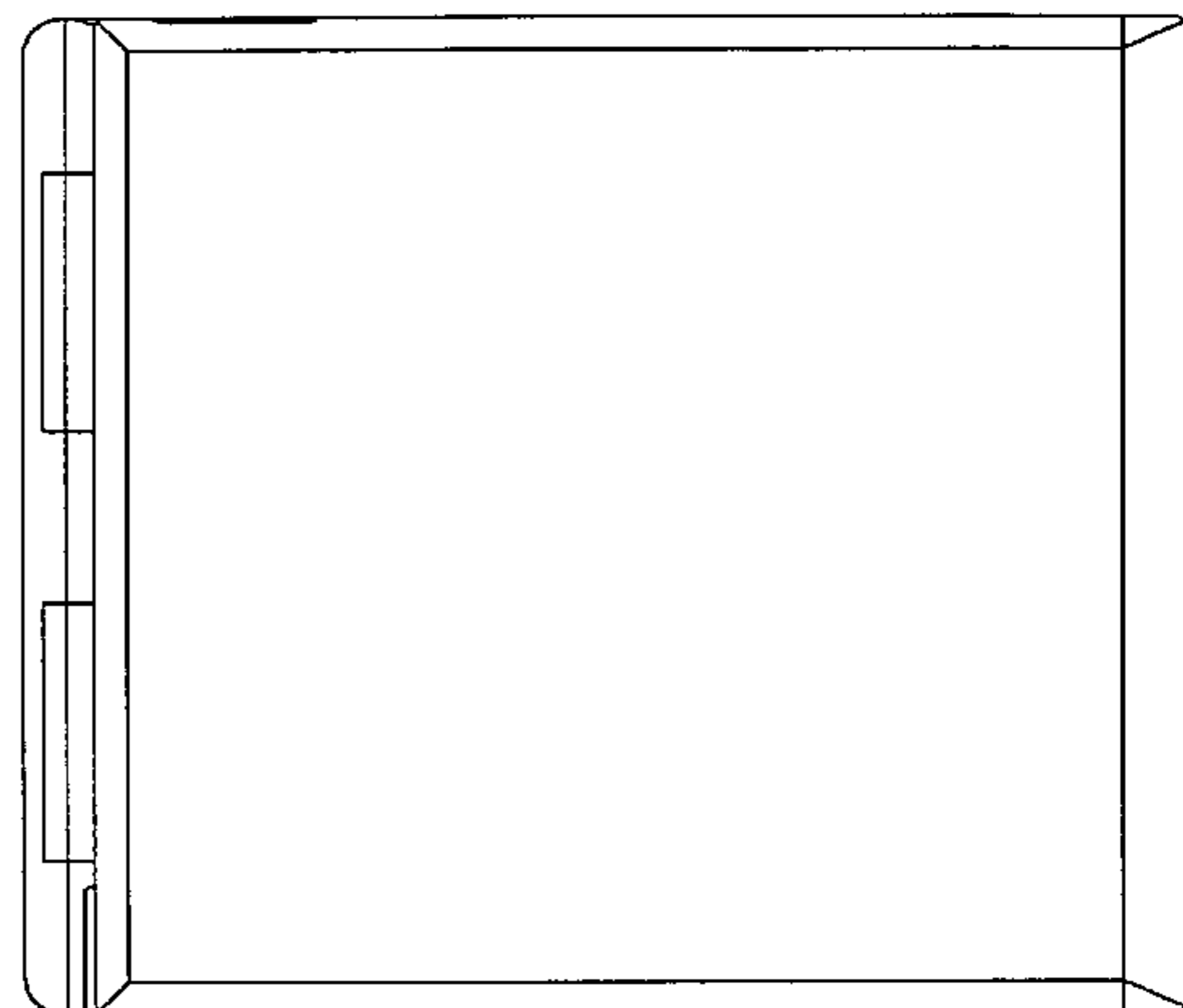
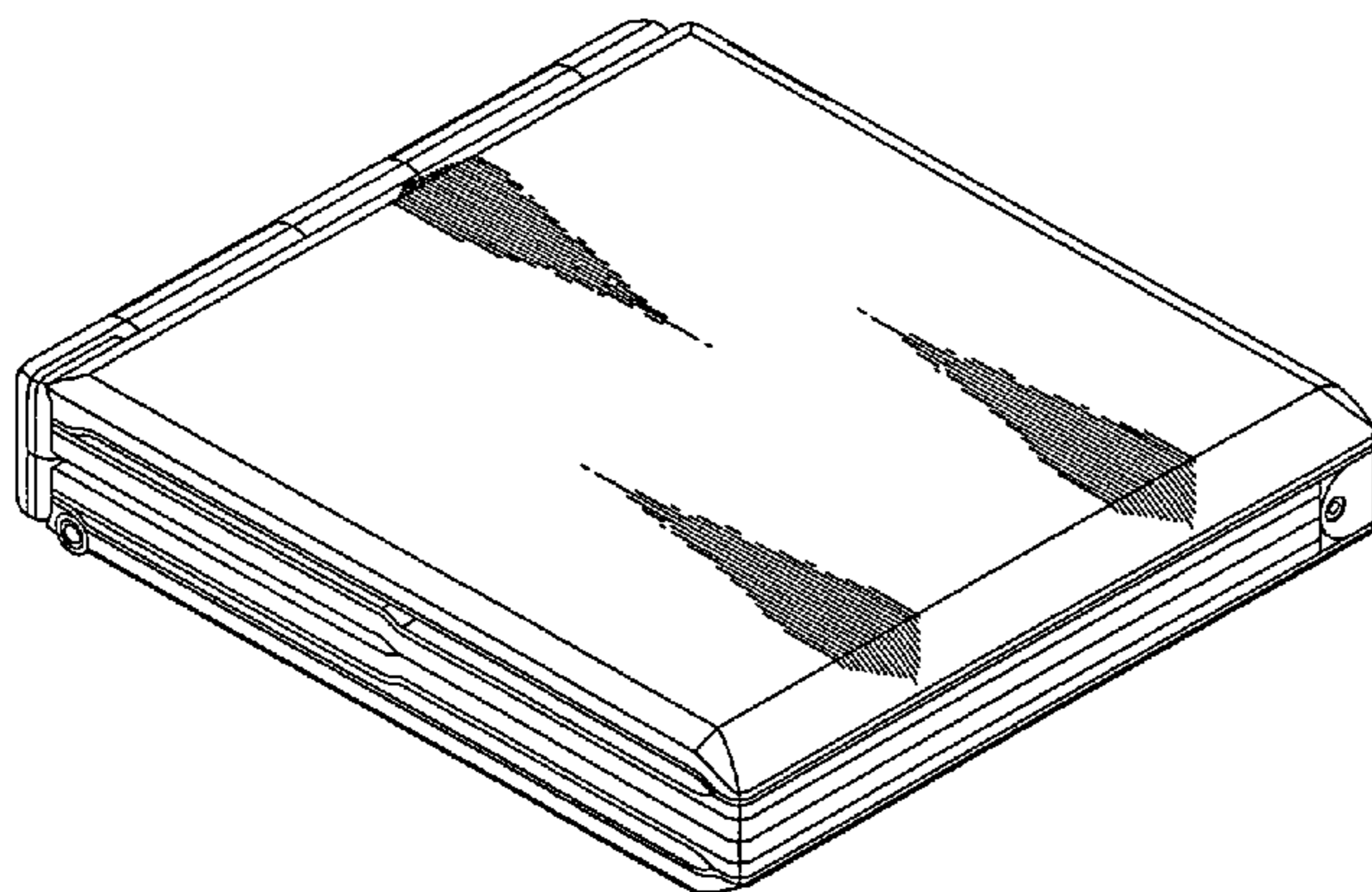
The ornamental design for a portable phone, as shown and described.

DESCRIPTION

FIG. 1 is a perspective view of a portable phone;
FIG. 2 is a front view of the portable phone of FIG. 1;
FIG. 3 is a rear view of the portable phone of FIG. 1;
FIG. 4 is a left-side view of the portable phone of FIG. 1;
FIG. 5 is a right-side view of the portable phone of FIG. 1;
FIG. 6 is a top plan view of the portable phone of FIG. 1;
FIG. 7 is a bottom plan view of the portable phone of FIG. 1;
FIG. 8 is a front open view of the portable phone of FIG. 1; where the display is rotated 90 degrees using an upper hinge;
FIG. 9 is a front open view of the portable phone of FIG. 1; where the raised display is rotated 90 degree toward the right side using the long hinge under the display; and,
FIG. 10 is a front open view of the portable phone of FIG. 1; where the display is spread open to both sides.

The broken lines immediately adjacent the claimed areas represent the bounds of the claimed design while all other broken lines are directed to environment and are for illustrative purposes only; the broken lines form no part of the claimed design.

1 Claim, 7 Drawing Sheets



US D590,365 S

Page 2

U.S. PATENT DOCUMENTS

D470,493	S *	2/2003	Tritschler et al.	D14/393	D530,716	S *	10/2006	Kimura et al.	D14/396
D475,987	S *	6/2003	Lee et al.	D14/138	7,130,669	B2 *	10/2006	Moon	455/575.3
6,625,011	B2 *	9/2003	Hyun	361/680	D540,790	S *	4/2007	Kim et al.	D14/345
D486,488	S *	2/2004	Olodort et al.	D14/396	D546,795	S *	7/2007	Kim et al.	D14/138
D488,154	S *	4/2004	Lovelady et al.	D14/345	2001/0023196	A1 *	9/2001	Kouyama	455/567
6,798,649	B1 *	9/2004	Olodort et al.	361/683	2004/0067768	A1 *	4/2004	King et al.	455/556.1
6,919,824	B2 *	7/2005	Lee	341/20	2005/0148375	A1 *	7/2005	DeLine	455/575.3
6,941,117	B2 *	9/2005	Ide	455/90.1	2006/0135222	A1 *	6/2006	Kim	455/575.1
D525,230	S *	7/2006	Kim et al.	D14/138	2006/0229117	A1 *	10/2006	Lehtonen	455/575.3

* cited by examiner

FIG. 1

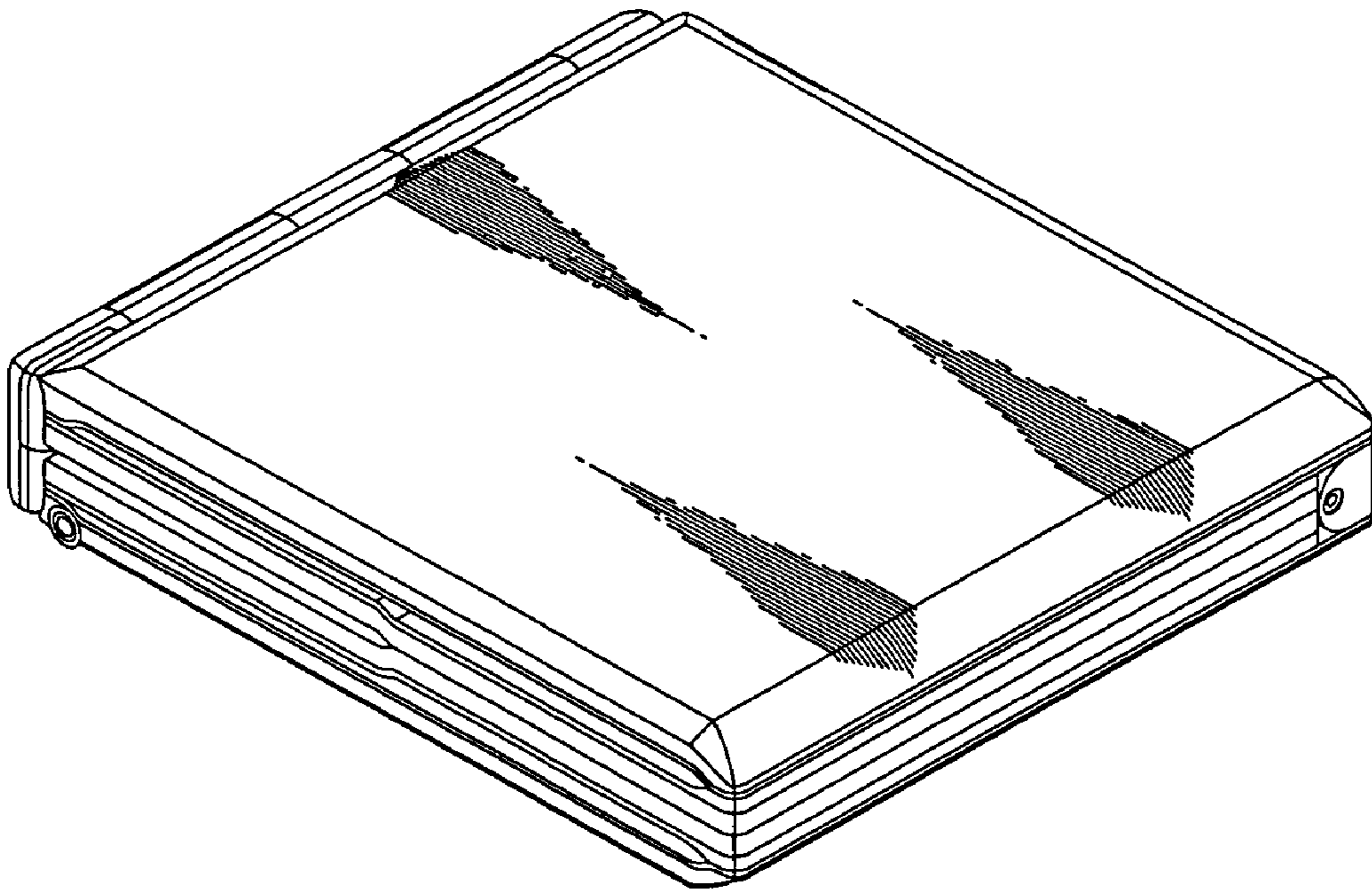


FIG. 2

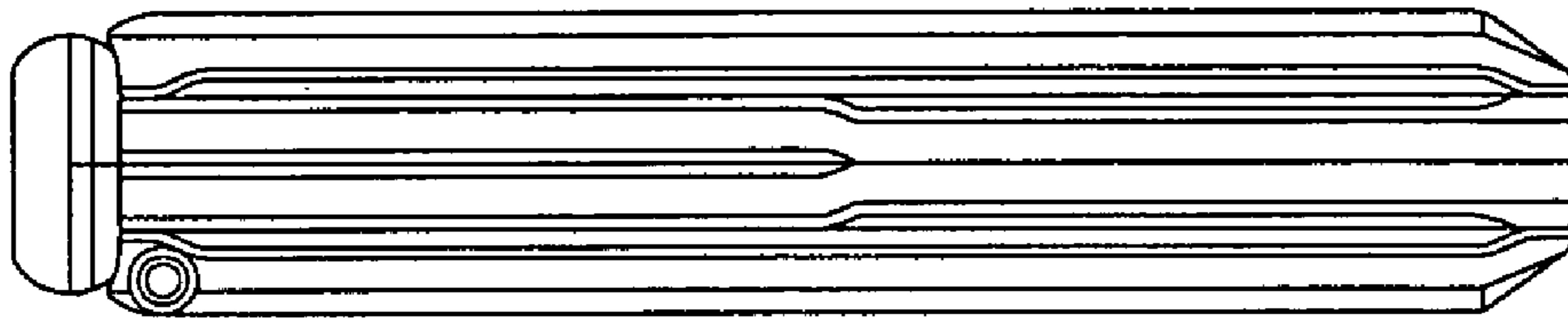


FIG. 3

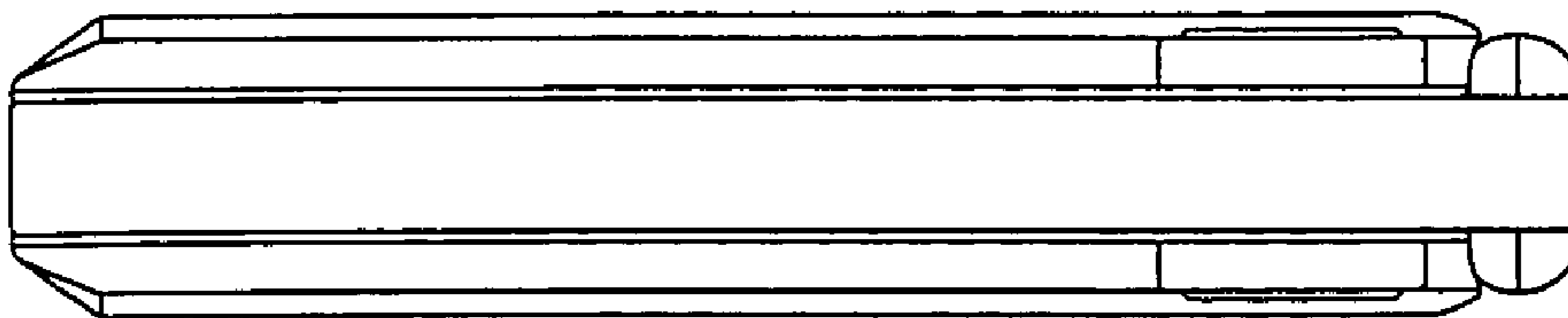


FIG. 4

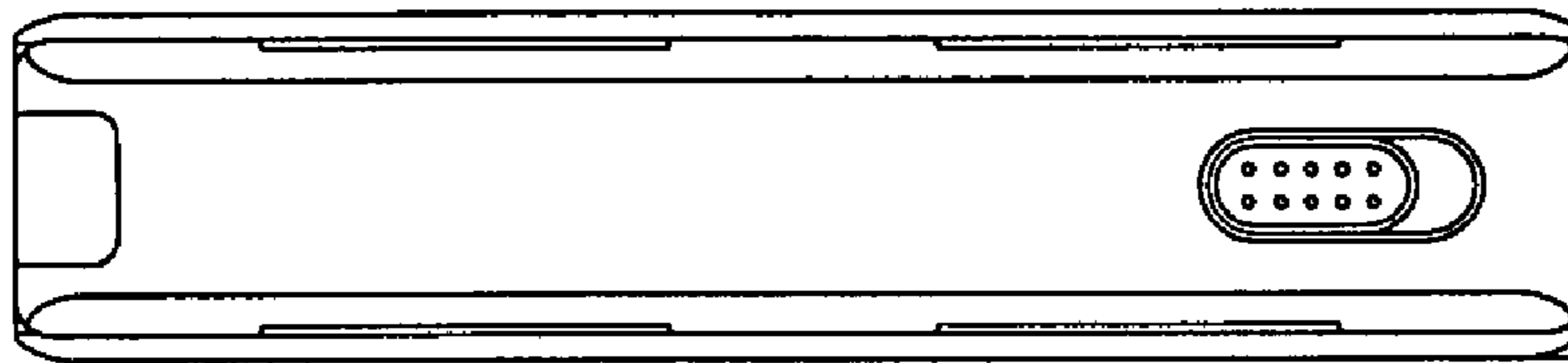


FIG. 5

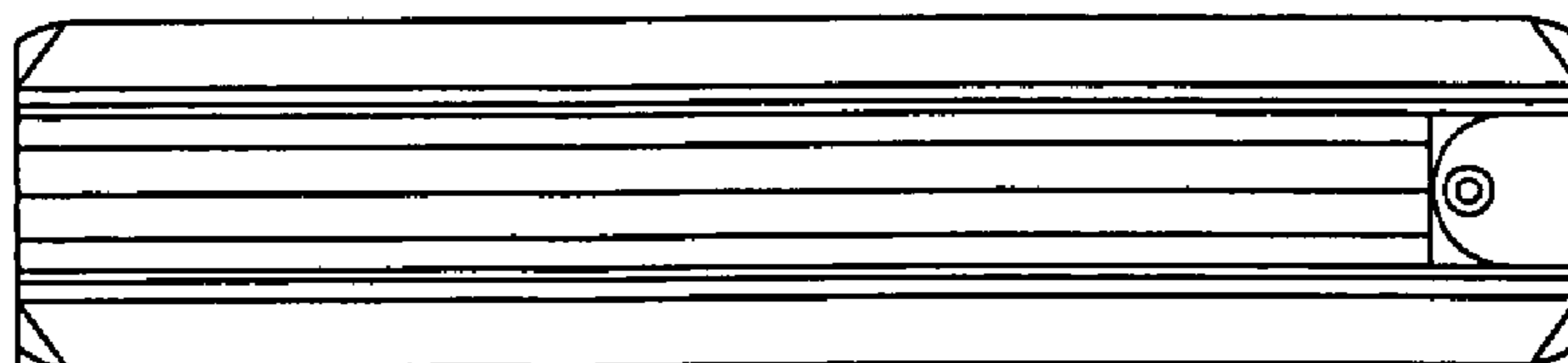


FIG. 6

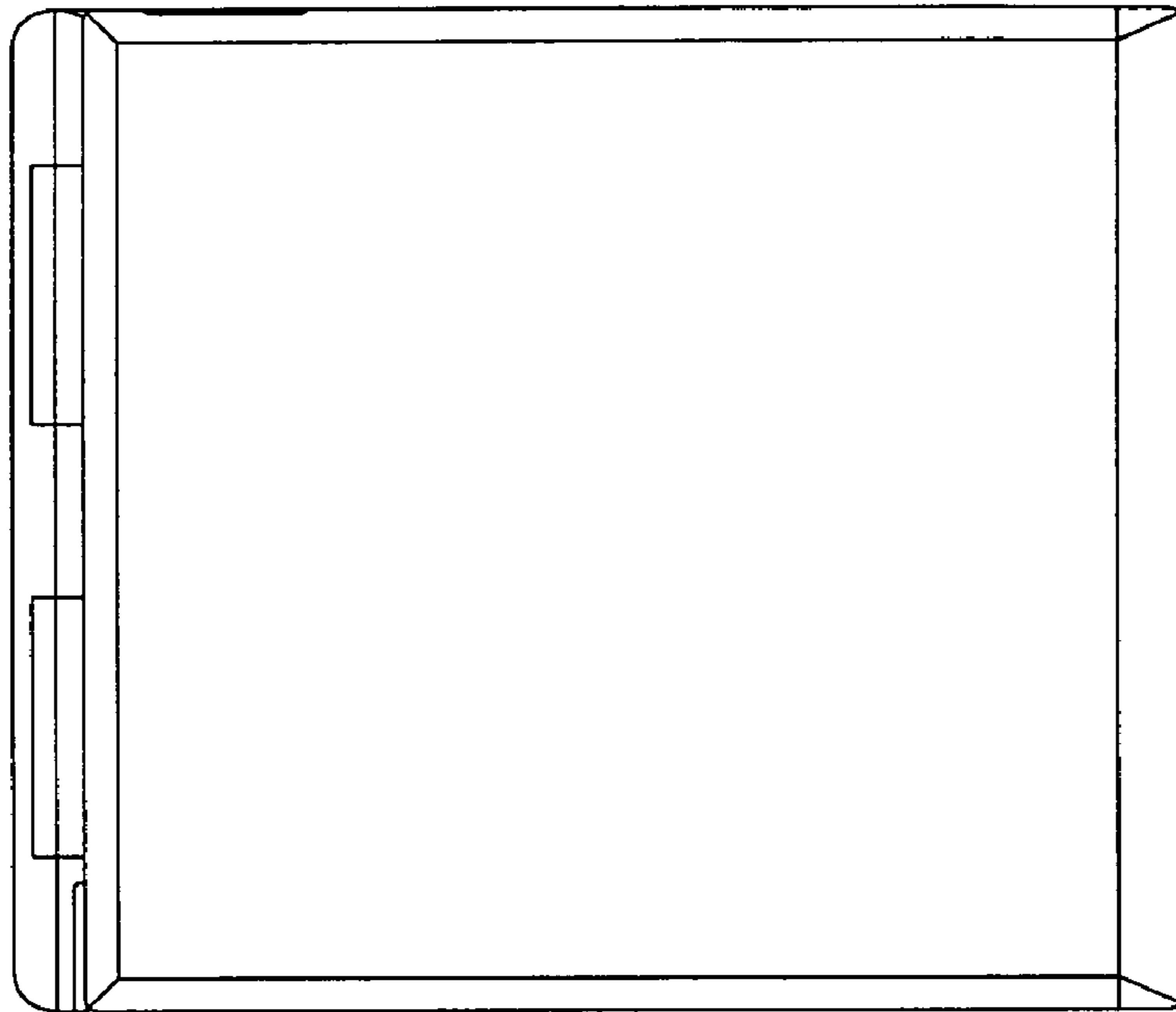


FIG. 7

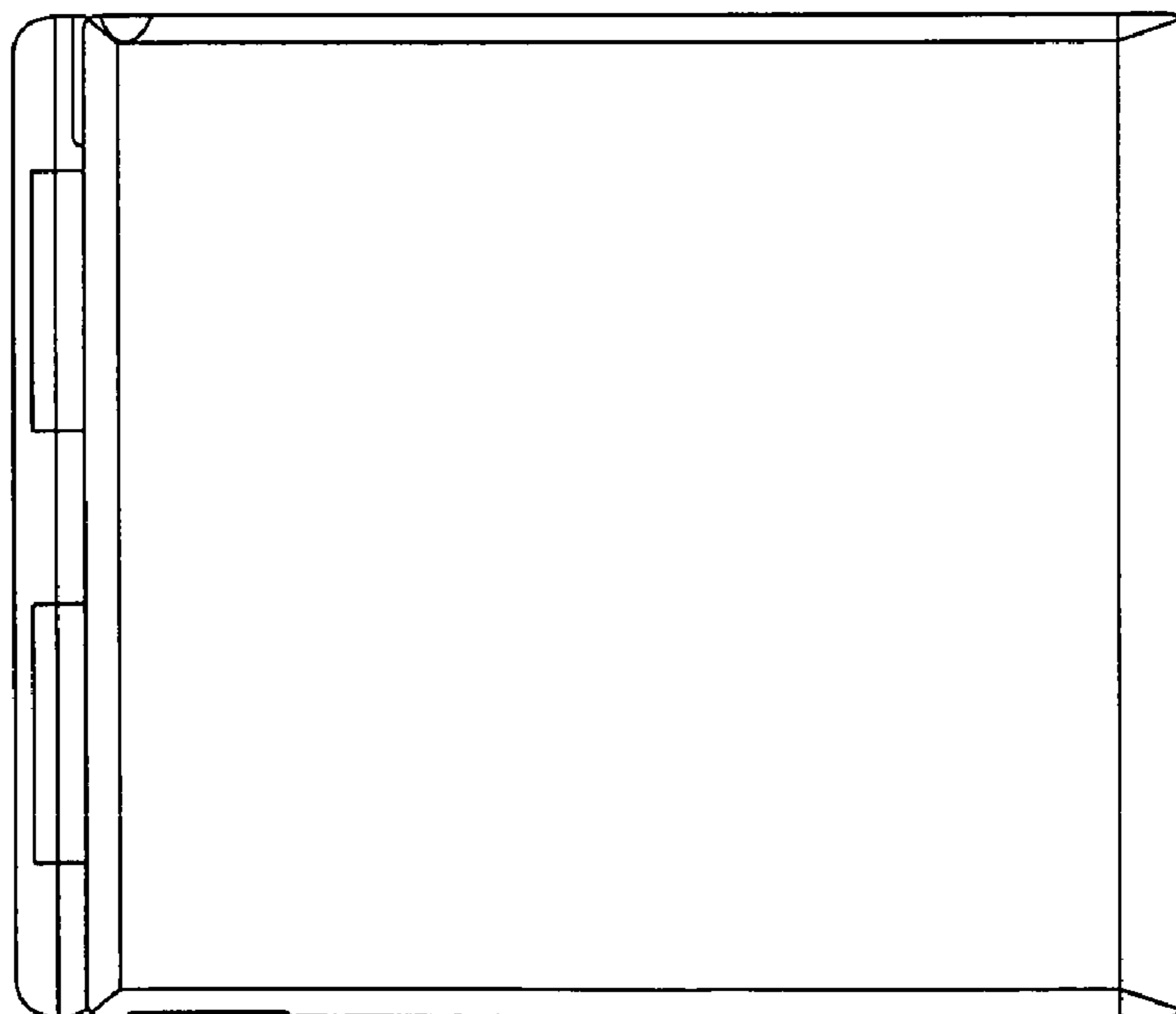


FIG. 8

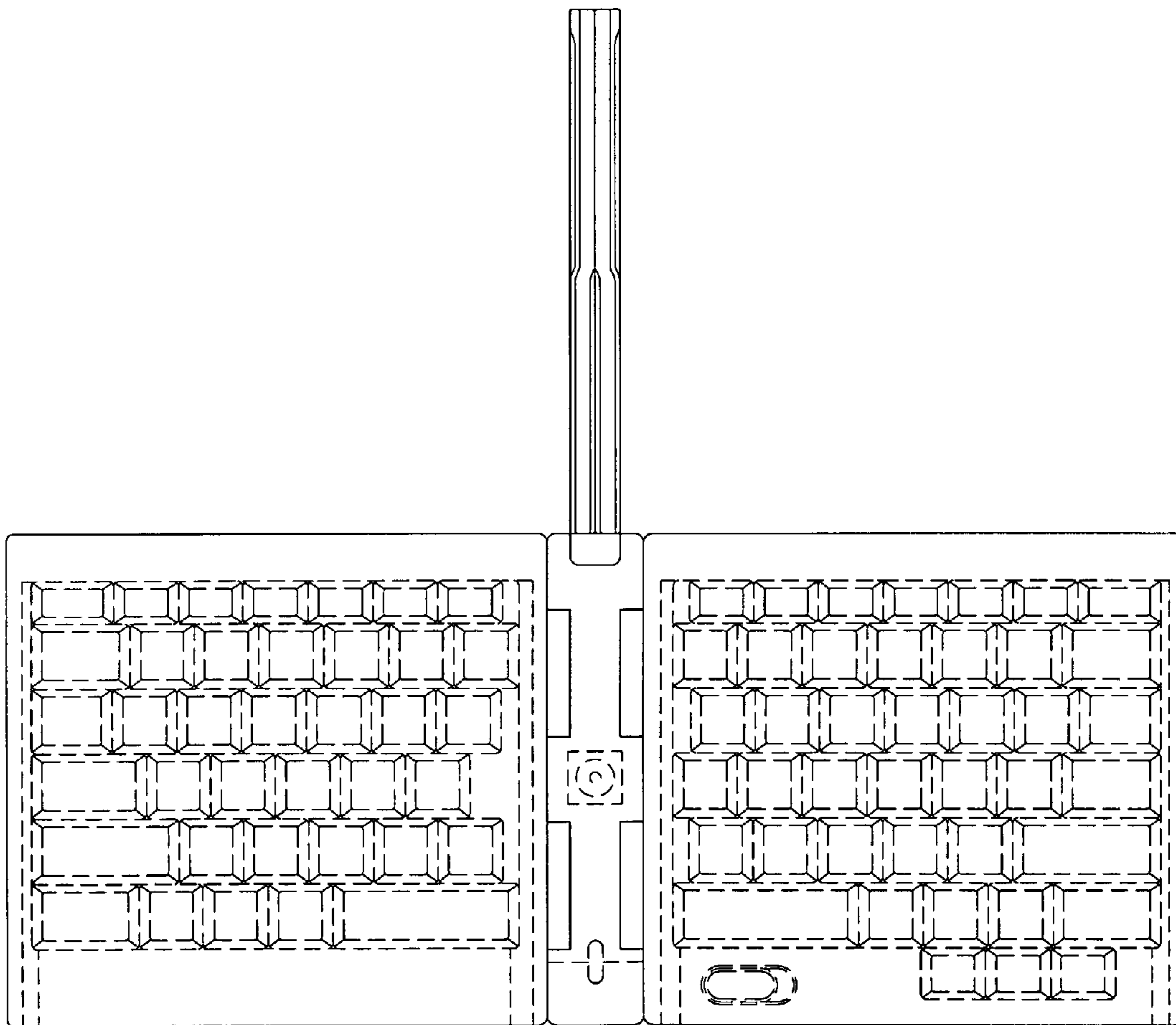


FIG. 9

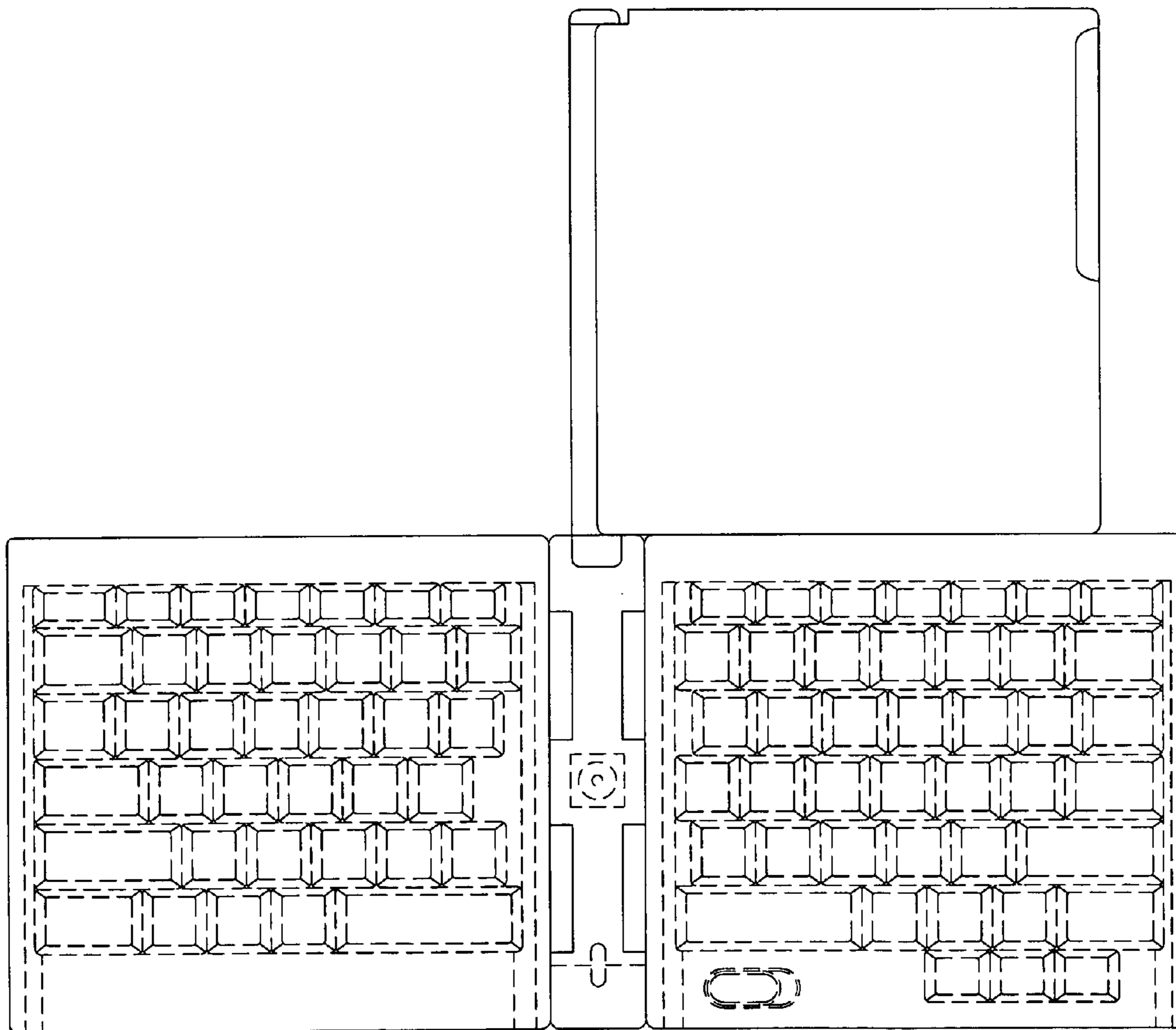


FIG. 10

