



US00D590361S

(12) **United States Design Patent**  
**Wang et al.**

(10) **Patent No.:** **US D590,361 S**  
(45) **Date of Patent:** **\*\* Apr. 14, 2009**

(54) **DIGITAL MEDIA ADAPTER**

(75) Inventors: **Qun Wang**, Shenzhen (CN); **Hong-Jin Wu**, Shenzhen (CN); **Chun-Wen Wang**, Taipei Hsien (TW)

(73) Assignee: **Hon Hai Precision Industry Co., Ltd.**, Tu-Cheng, Taipei Hsien (TW)

(\*\*) Term: **14 Years**

(21) Appl. No.: **29/321,032**

(22) Filed: **Jul. 9, 2008**

(51) **LOC (9) Cl.** ..... **14-03**

(52) **U.S. Cl.** ..... **D14/125**

(58) **Field of Classification Search** ..... D14/125-134,  
D14/239, 371, 136, 374-377, 188, 193, 194,  
D14/197, 198; 312/7.2, 7.1; 348/836, 838,  
348/180, 184, 325, 739; 341/12; 248/917-924,  
248/465, 123.11; 345/104, 133, 156, 168,  
345/87, 173, 169; 349/1, 2, 11, 62; 720/605,  
720/669, 600, 655, 99, 197; 455/344-347  
See application file for complete search history.

(56) **References Cited**

**U.S. PATENT DOCUMENTS**

D344,729 S \* 3/1994 Mueller ..... D14/194  
5,519,572 A \* 5/1996 Luo ..... 361/685

D419,558 S \* 1/2000 Bhavnani ..... D14/194  
D515,097 S \* 2/2006 Chen et al. .... D14/444  
D559,209 S \* 1/2008 Ahmad-Taylor et al. ... D14/125  
D563,334 S \* 3/2008 Wang ..... D14/125  
D566,120 S \* 4/2008 Dearborn et al. .... D14/446

\* cited by examiner

*Primary Examiner*—Raphael Barkai

*Assistant Examiner*—Randall H Gholson

(74) *Attorney, Agent, or Firm*—D. Austin Bonderer

(57) **CLAIM**

The ornamental design for a digital media adapter, as shown and described.

**DESCRIPTION**

FIG. 1 is a perspective view of the design for the “digital media adapter” front bezel;

FIG. 2 is a front elevational view thereof;

FIG. 3 is a left side elevational view thereof;

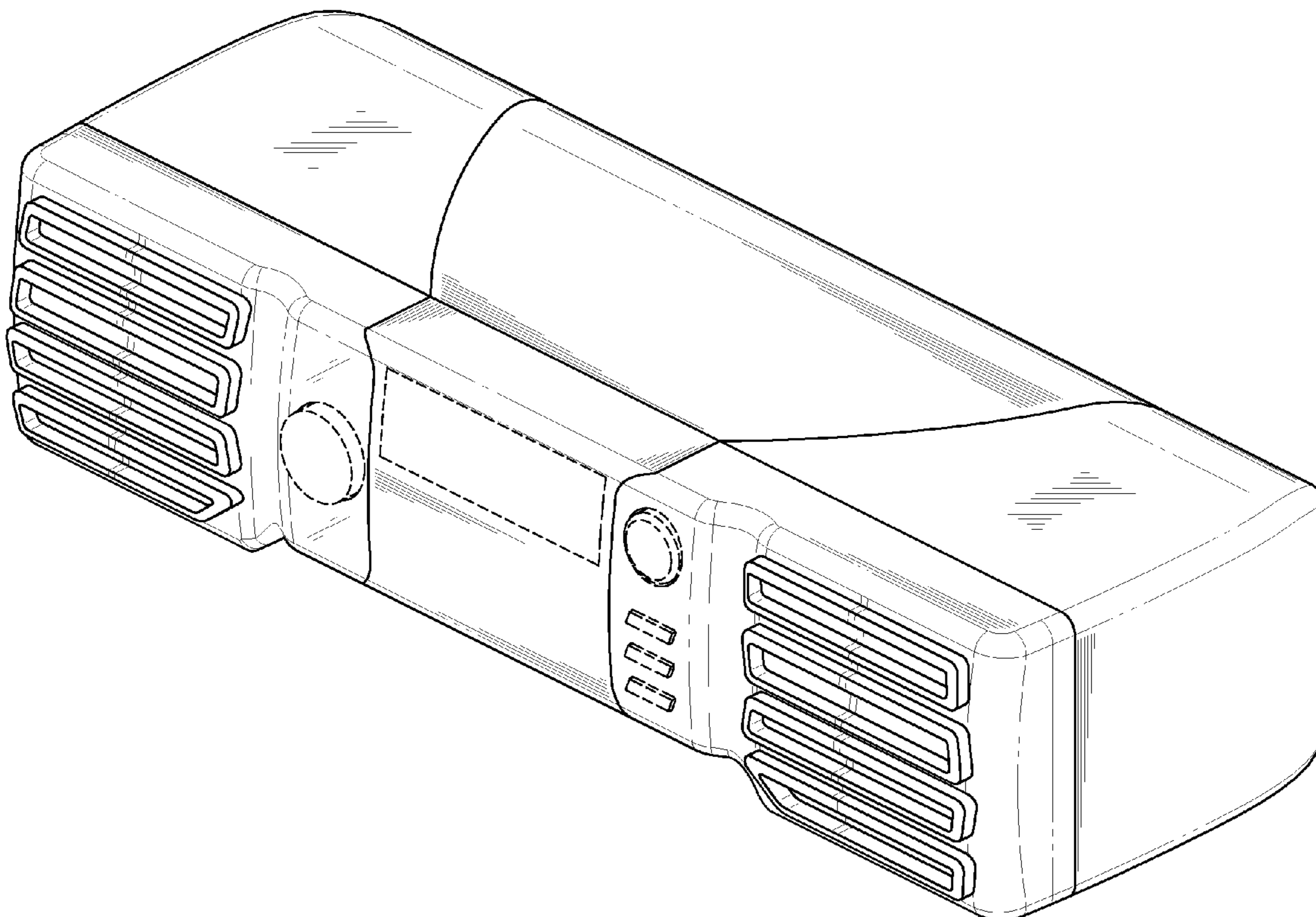
FIG. 4 is a right side elevational view thereof;

FIG. 5 is a top plan view thereof; and,

FIG. 6 is a bottom plan view thereof.

The broken lines shown on the digital media adapter are included for the purpose of illustration and form no part of the claimed design.

**1 Claim, 6 Drawing Sheets**



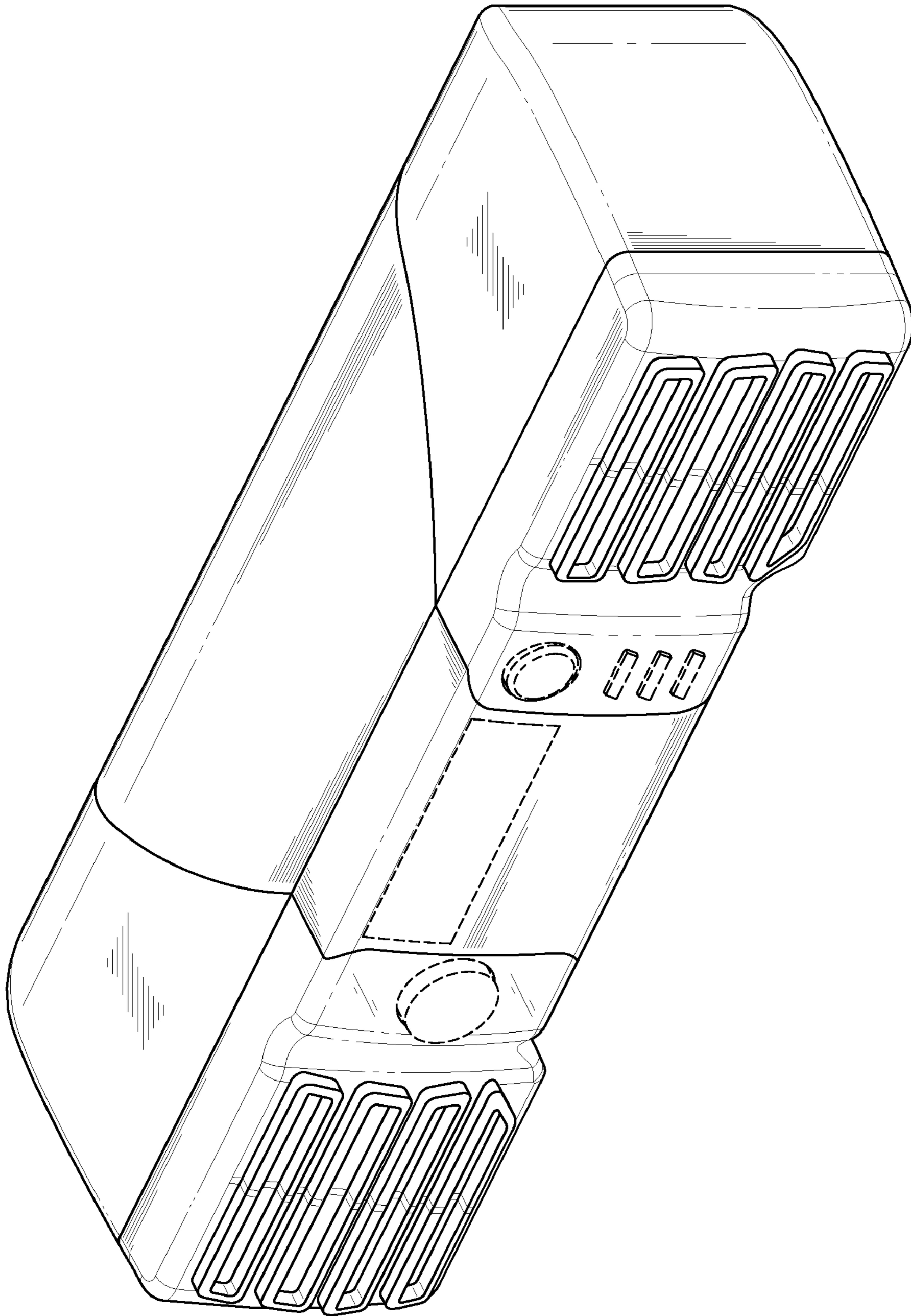


FIG. 1

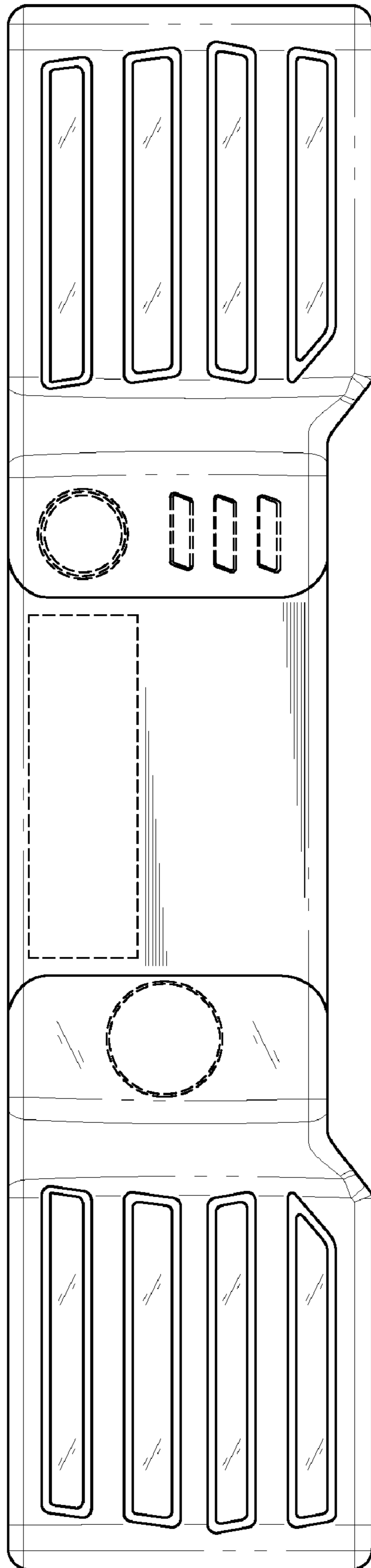


FIG. 2

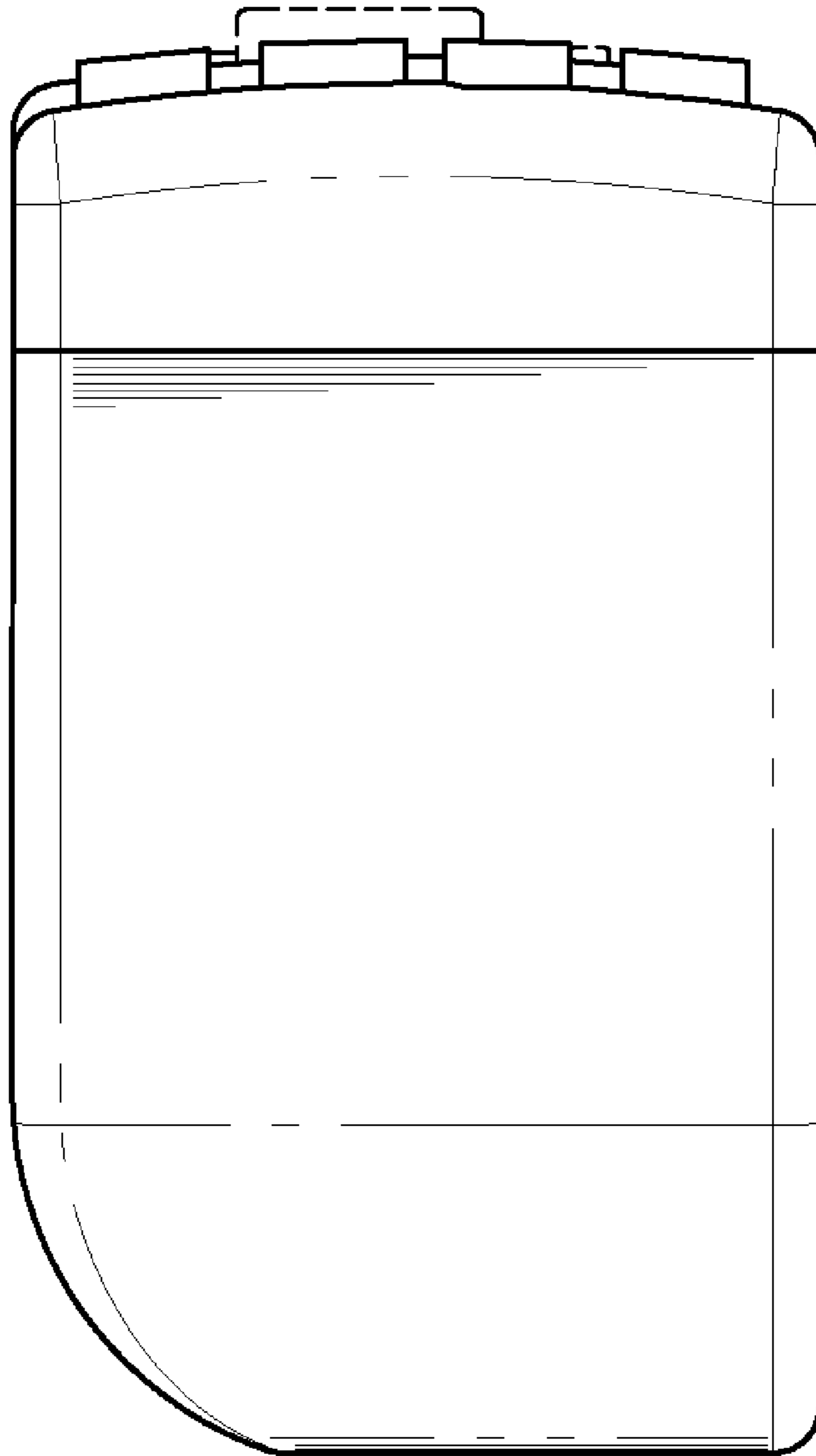


FIG. 3

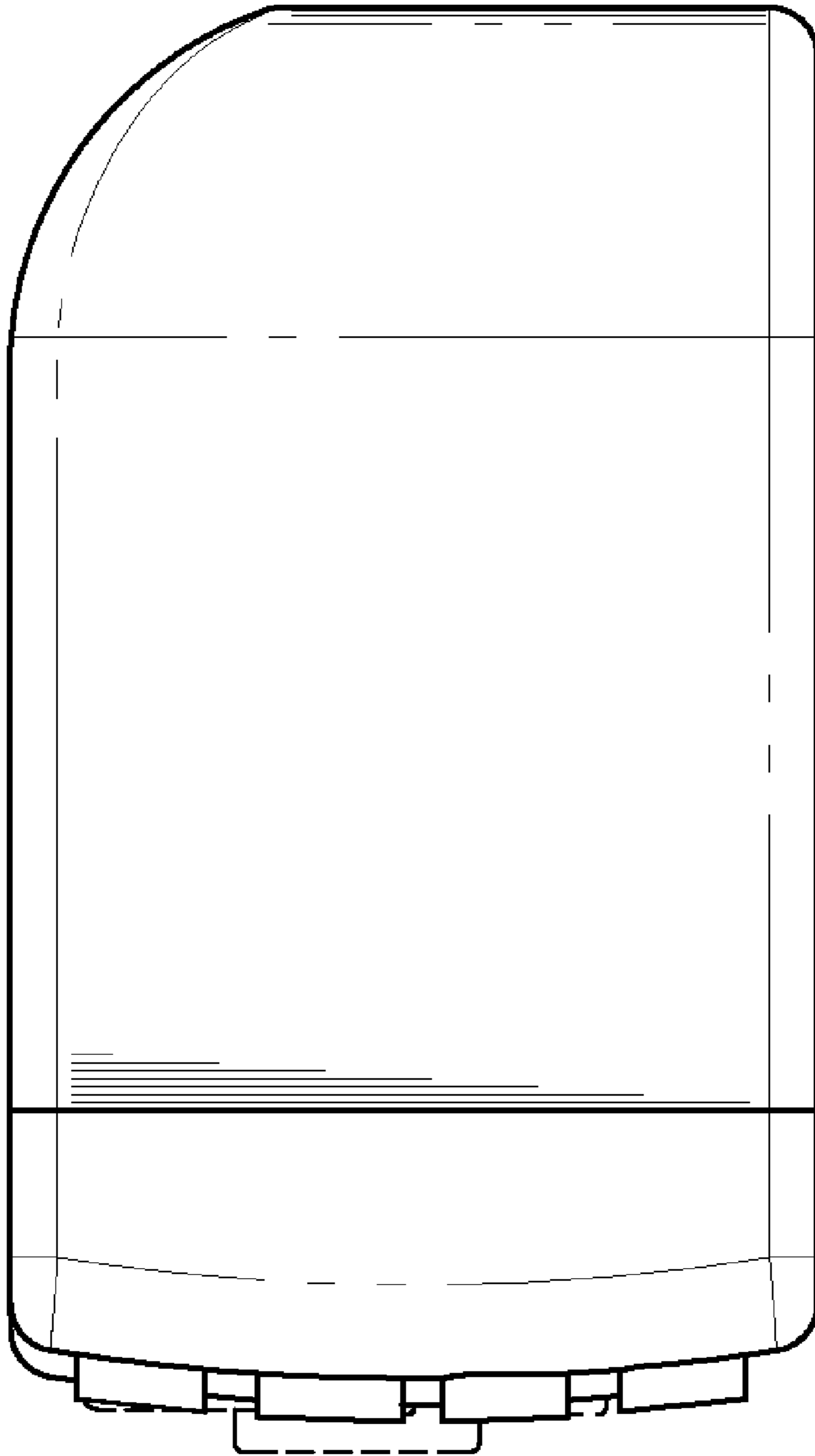


FIG. 4

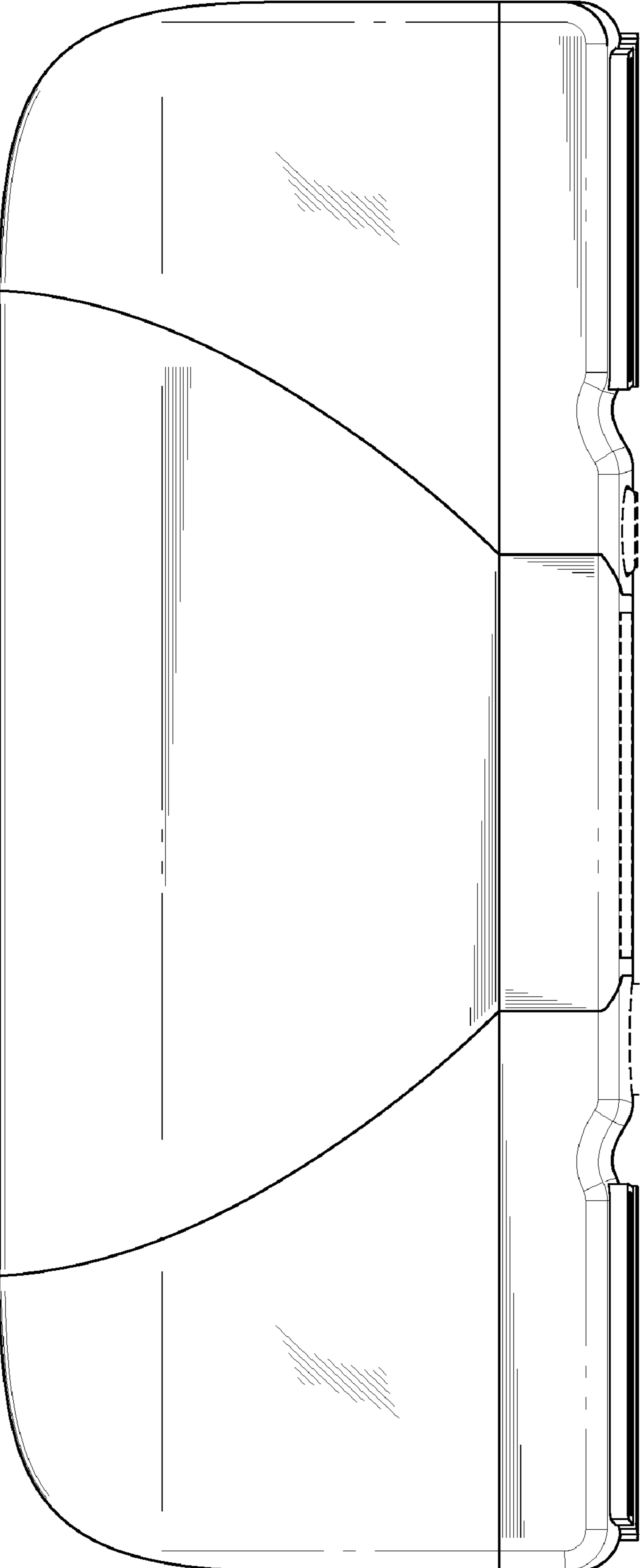


FIG. 5

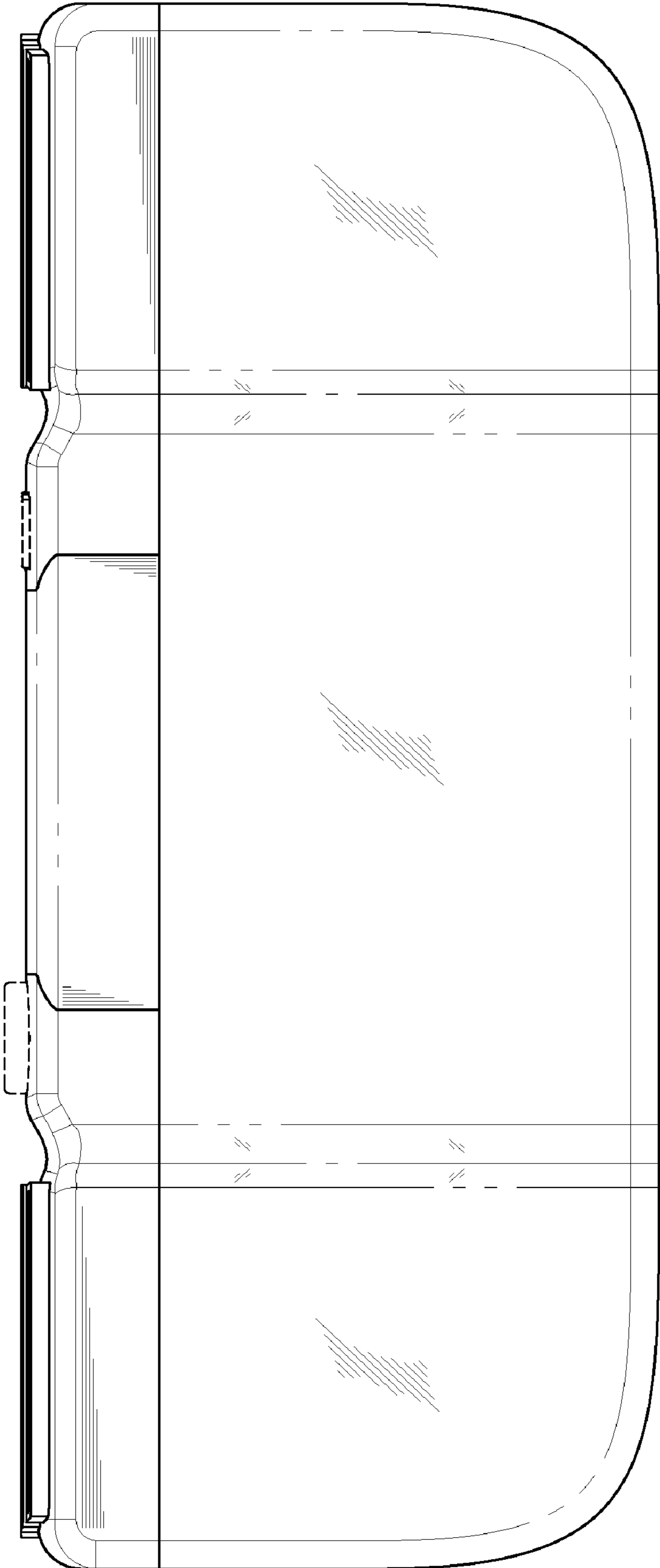


FIG. 6