



US00D590357S

(12) **United States Design Patent**  
**Miyashita**

(10) **Patent No.:** **US D590,357 S**

(45) **Date of Patent:** **\*\* Apr. 14, 2009**

(54) **LIGHT-EMITTING DIODE**

(75) Inventor: **Junji Miyashita**, Fujiyoshida (JP)

(73) Assignee: **Citizen Electronics Co., Ltd.**,  
Yamanashi (JP)

(\*\*) Term: **14 Years**

(21) Appl. No.: **29/318,858**

(22) Filed: **May 29, 2008**

(30) **Foreign Application Priority Data**

Nov. 29, 2007 (JP) ..... 2007-032801

(51) **LOC (9) Cl.** ..... **13-03**

(52) **U.S. Cl.** ..... **D13/180**

(58) **Field of Classification Search** ..... D13/180;  
D26/2; 257/79, 80, 81, 88, 89, 95, 98, 99,  
257/100; 313/483, 498, 500; 362/555, 800  
See application file for complete search history.

(56) **References Cited**

**U.S. PATENT DOCUMENTS**

RE36,614 E *	3/2000	Lumbard et al.	.....	313/500
7,049,639 B2 *	5/2006	Wang et al.	.....	257/99
D562,272 S *	2/2008	Su et al.	.....	D13/180
D574,791 S *	8/2008	Shimozawa	.....	D13/180
D576,116 S *	9/2008	Shin et al.	.....	D13/180
D576,117 S *	9/2008	Shin et al.	.....	D13/180
D576,571 S *	9/2008	Itai	.....	D13/180

2005/0128767 A1 *	6/2005	Wang et al.	.....	362/555
2006/0113906 A1 *	6/2006	Ogawa	.....	313/512
2007/0063213 A1 *	3/2007	Hsieh et al.	.....	257/99
2007/0096114 A1 *	5/2007	Aoki et al.	.....	257/79

\* cited by examiner

*Primary Examiner*—Selina Sikder

(74) *Attorney, Agent, or Firm*—Browdy and Neimark,  
P.L.L.C.

(57) **CLAIM**

The ornamental design for a light-emitting diode, as shown and described herein.

**DESCRIPTION**

FIG. 1 is a perspective view of light-emitting diode in accordance with the present design, as viewed from front;

FIG. 2 is a perspective view thereof as viewed from below;

FIG. 3 is a front elevation view thereof;

FIG. 4 is a rear elevation view thereof;

FIG. 5 is a top plan view thereof;

FIG. 6 is a bottom plan view thereof;

FIG. 7 is a left side view thereof;

FIG. 8 is a right side view thereof; and,

FIG. 9 is a sectional view taken along the 9—9 line in FIG. 7 showing the present design.

**1 Claim, 3 Drawing Sheets**

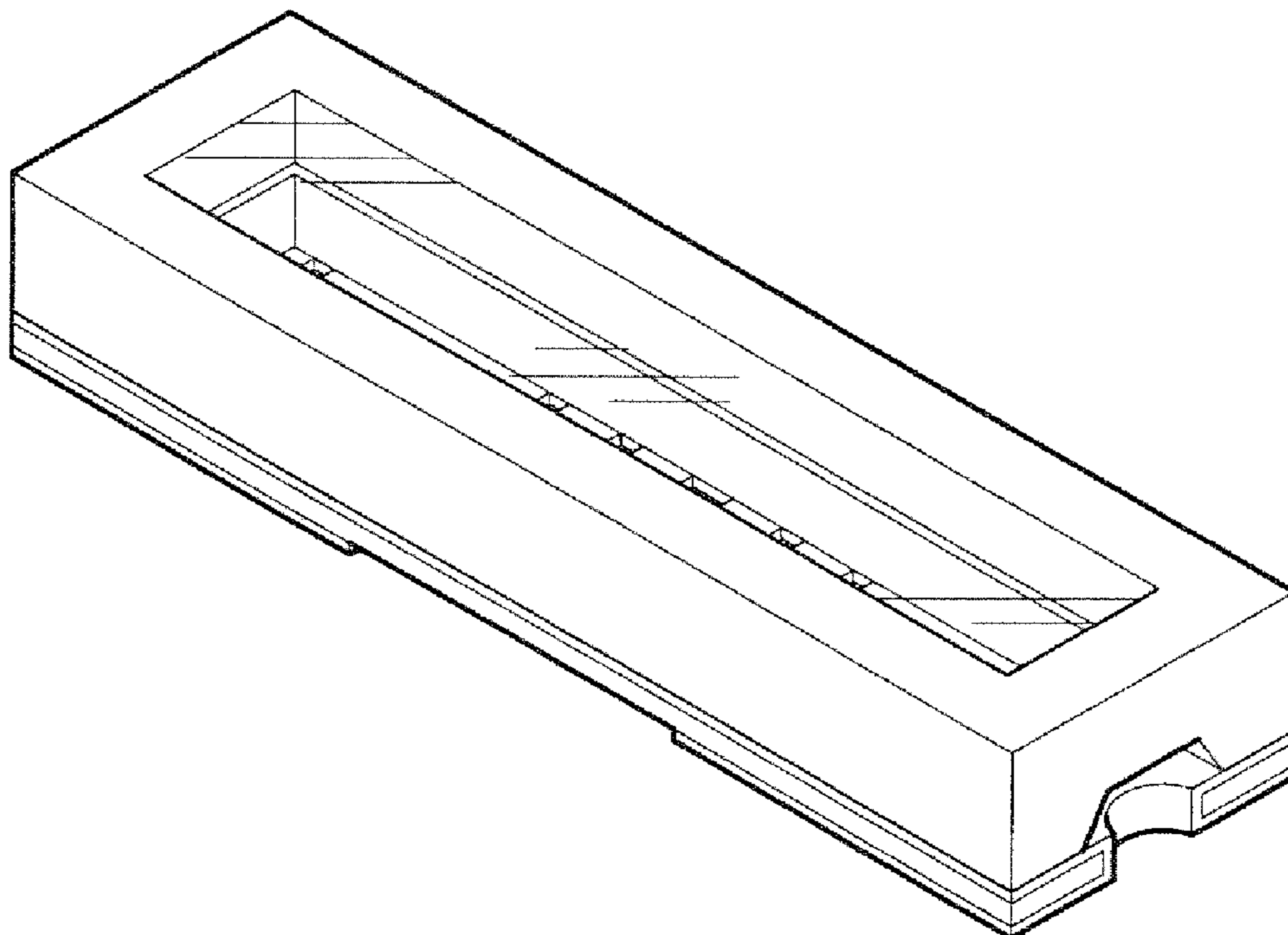


Fig. 1

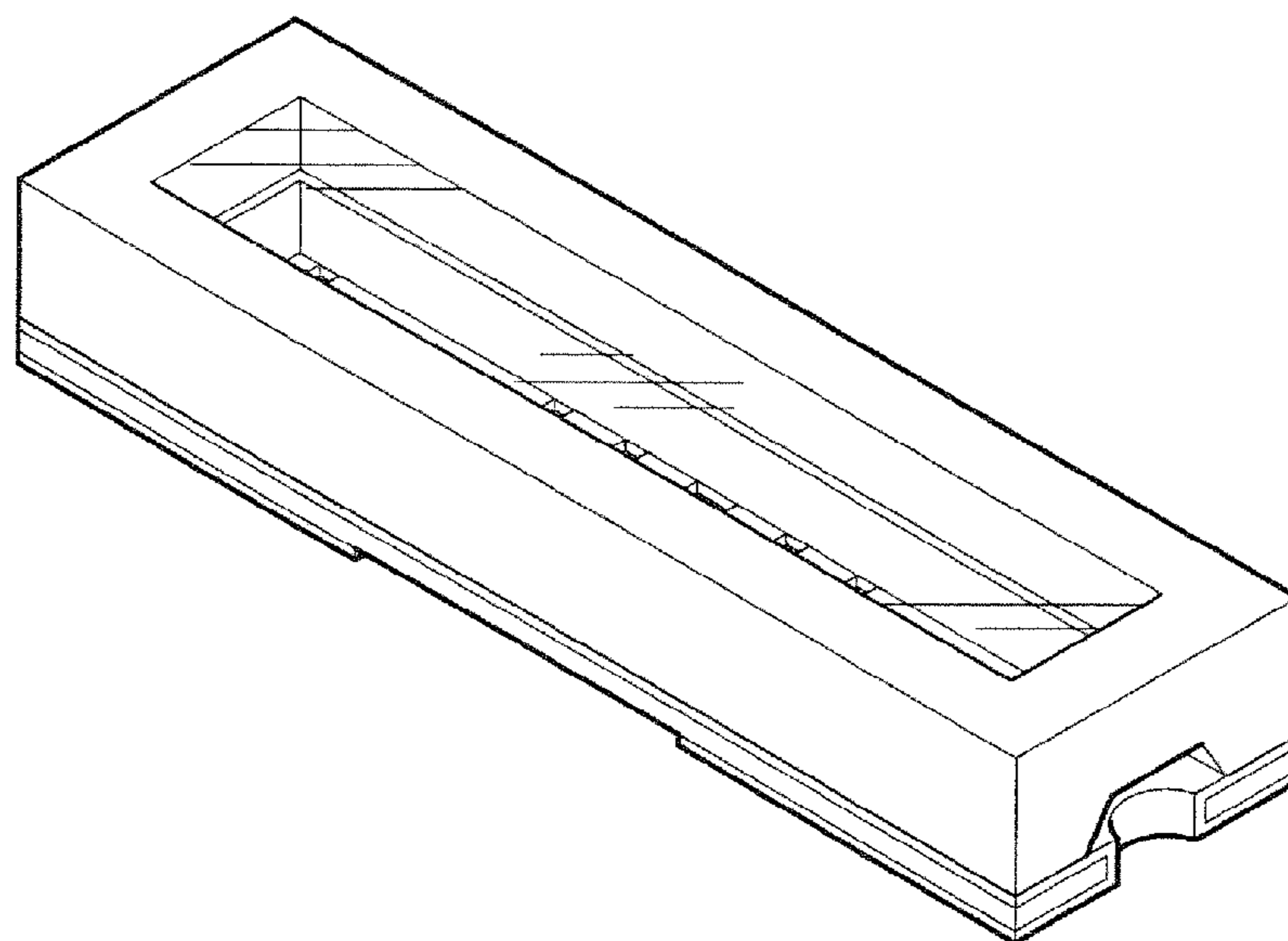


Fig. 2

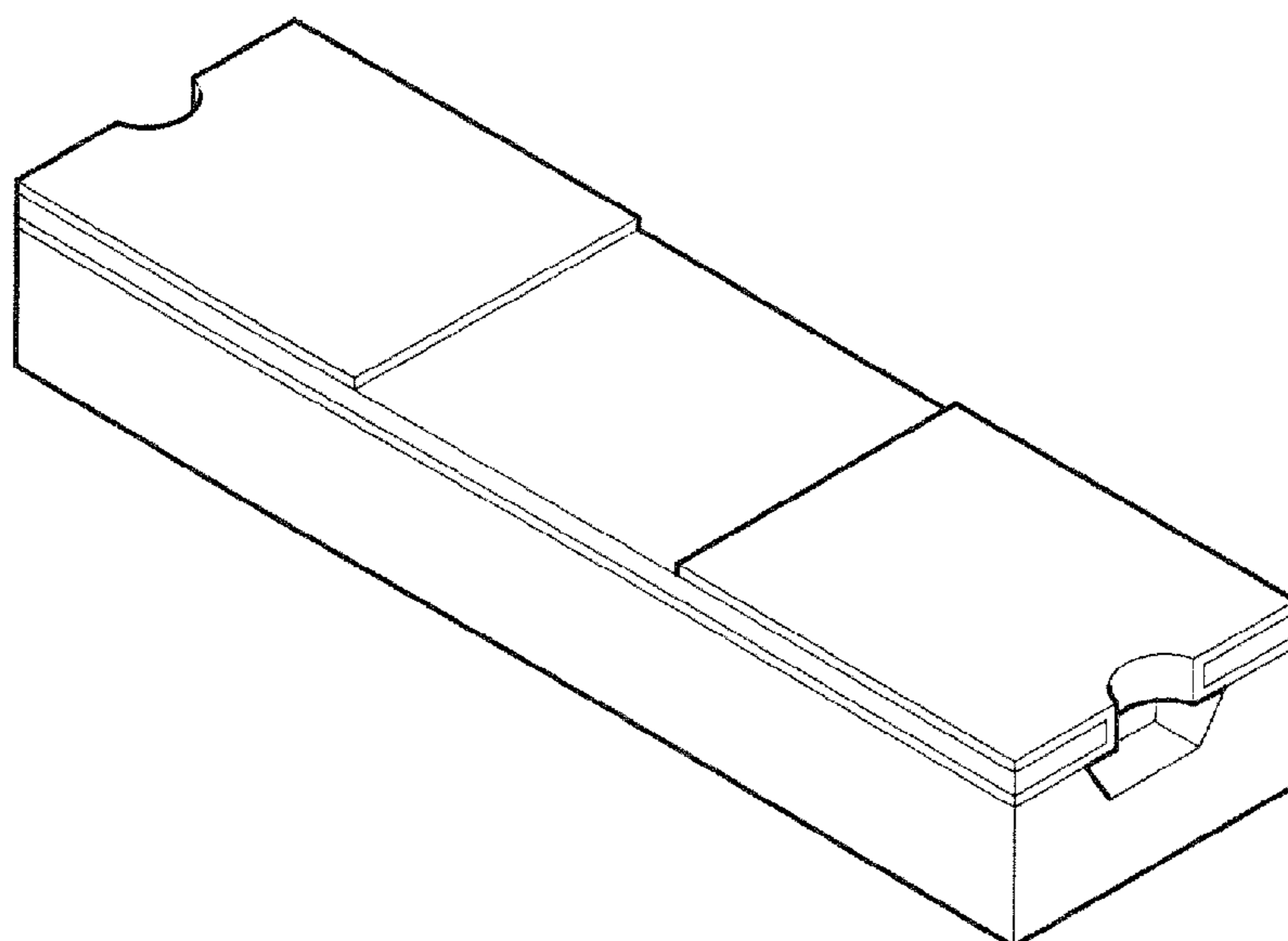


Fig. 3

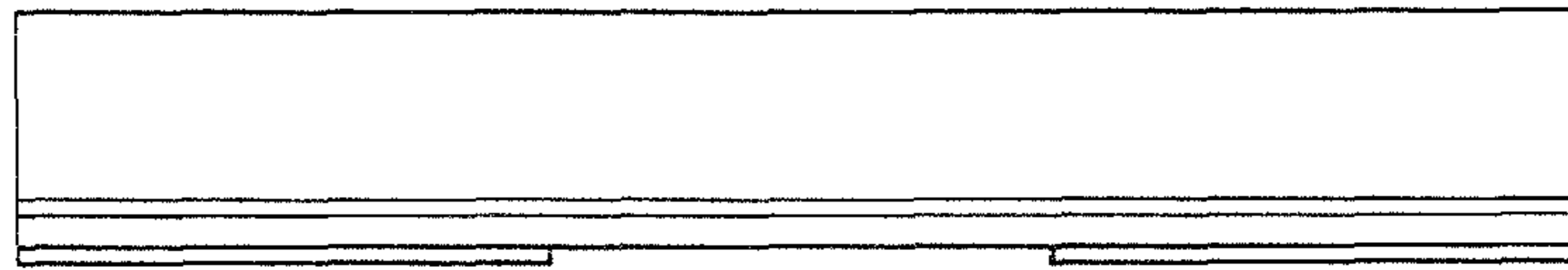


Fig. 4

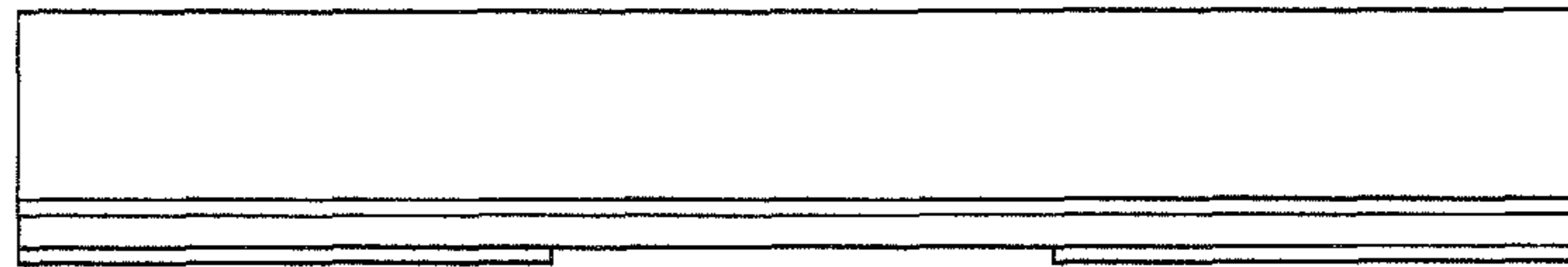


Fig. 5

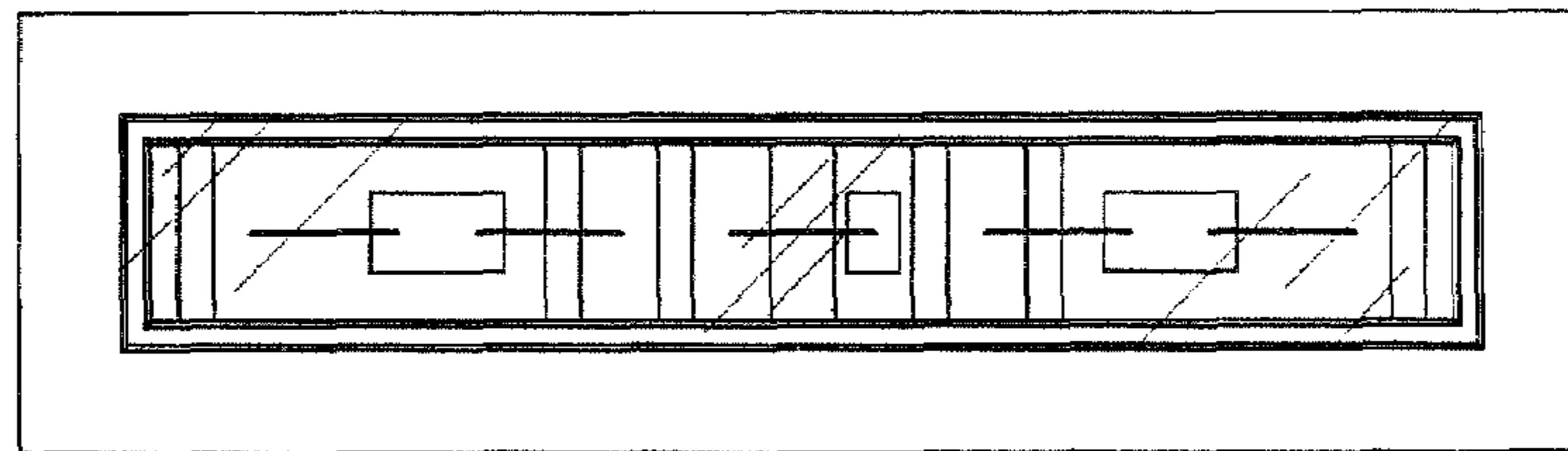


Fig. 6

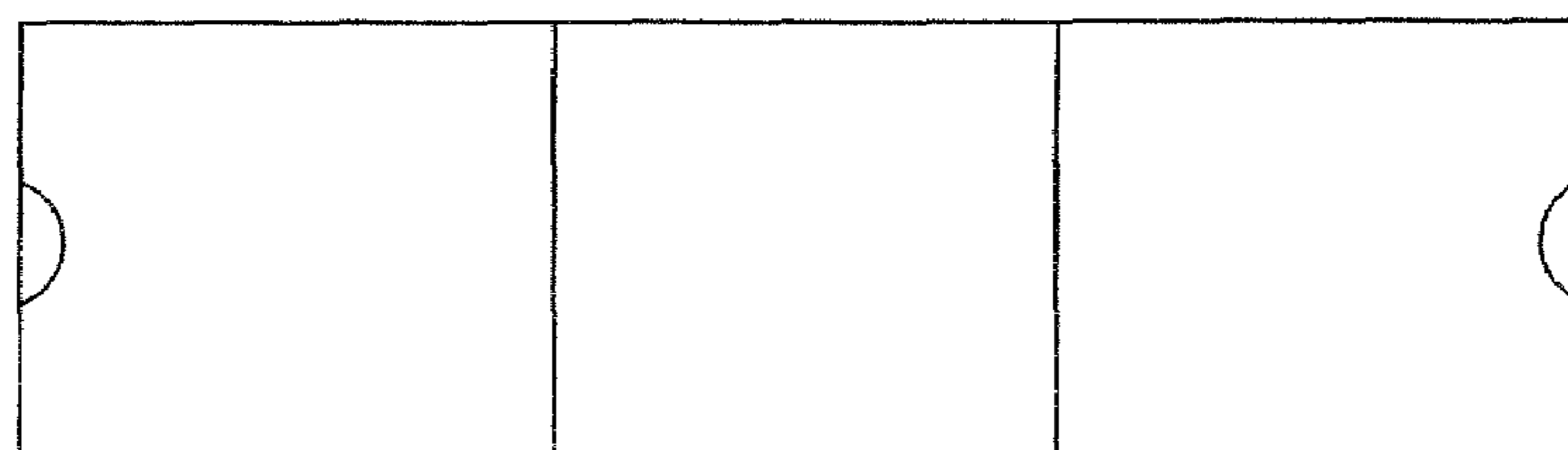


Fig. 7

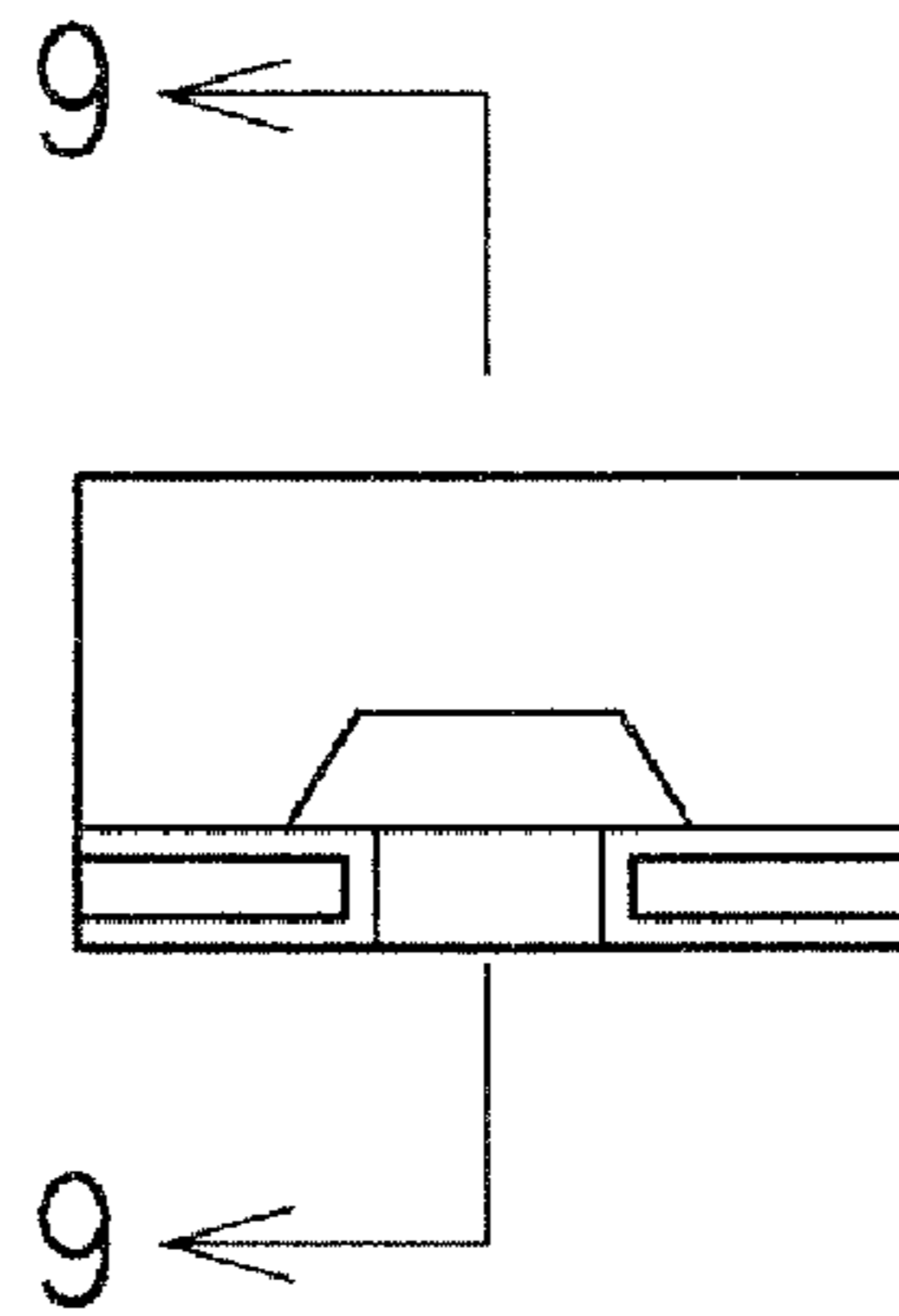


Fig. 8

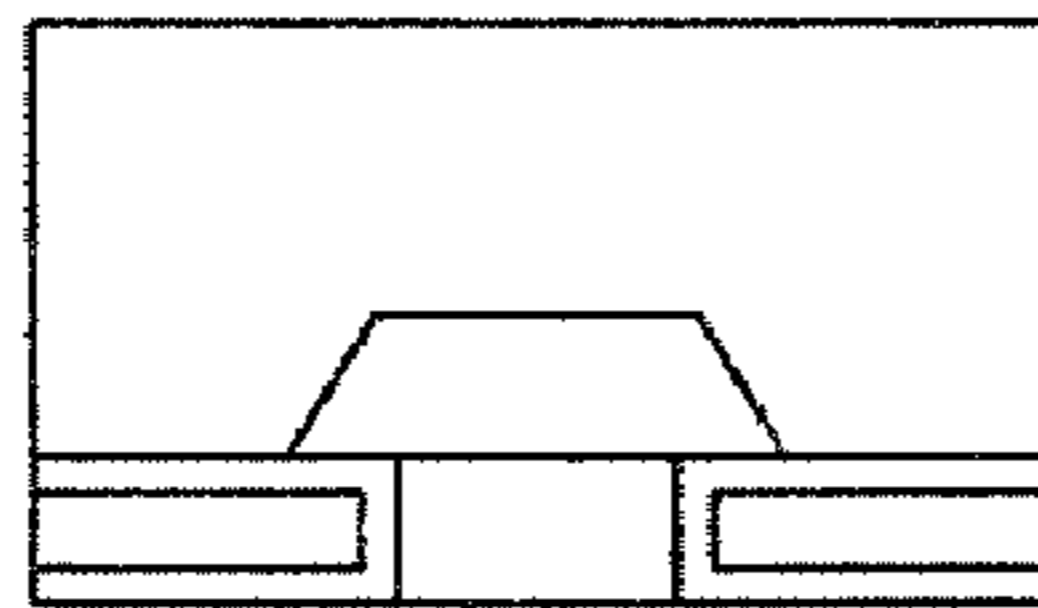


Fig. 9

