



US00D590356S

(12) **United States Design Patent**
Takano et al.

(10) **Patent No.:** **US D590,356 S**
(45) **Date of Patent:** **** Apr. 14, 2009**

(54) **LIGHT-EMITTING DIODE**

(75) Inventors: **Tepei Takano**, Fujiyoshida (JP); **Junji Miyashita**, Fujiyoshida (JP); **Mitsunori Ishizaka**, Minamitsuru-gun (JP)

(73) Assignee: **Citizen Electronics Co., Ltd.**,
Yamanashi (JP)

(**) Term: **14 Years**

(21) Appl. No.: **29/318,856**

(22) Filed: **May 29, 2008**

(30) **Foreign Application Priority Data**

Nov. 29, 2007 (JP) D2007-032802

(51) **LOC (9) Cl.** **13-03**

(52) **U.S. Cl.** **D13/180**

(58) **Field of Classification Search** D13/180;
D26/2; 257/79, 80, 81, 88, 89, 95, 98, 99,
257/100; 313/483, 498, 500; 362/555, 800
See application file for complete search history.

(56) **References Cited**

U.S. PATENT DOCUMENTS

6,297,598 B1 * 10/2001 Wang et al. 315/169.3
7,049,639 B2 * 5/2006 Wang et al. 257/99
D562,782 S * 2/2008 Son D13/180

D576,116 S * 9/2008 Shin et al. D13/180
D576,117 S * 9/2008 Shin et al. D13/180
D576,571 S * 9/2008 Itai D13/180
D578,969 S * 10/2008 Kobayakawa D13/180

* cited by examiner

Primary Examiner—Selina Sikder

(74) *Attorney, Agent, or Firm*—Browdy and Neimark,
P.L.L.C.

(57) **CLAIM**

The ornamental design for a light-emitting diode, as shown and described herein.

DESCRIPTION

FIG. 1 is a perspective view of light-emitting diode in accordance with the present design, as viewed from front;

FIG. 2 is a perspective view thereof as viewed from below;

FIG. 3 is a front elevation view thereof;

FIG. 4 is a rear elevation view thereof;

FIG. 5 is a top plan view thereof;

FIG. 6 is a bottom plan view thereof;

FIG. 7 is a left side view thereof;

FIG. 8 is a right side view thereof; and,

FIG. 9 is a sectional view taken along the 9—9 line in FIG. 3 showing the present design.

1 Claim, 3 Drawing Sheets

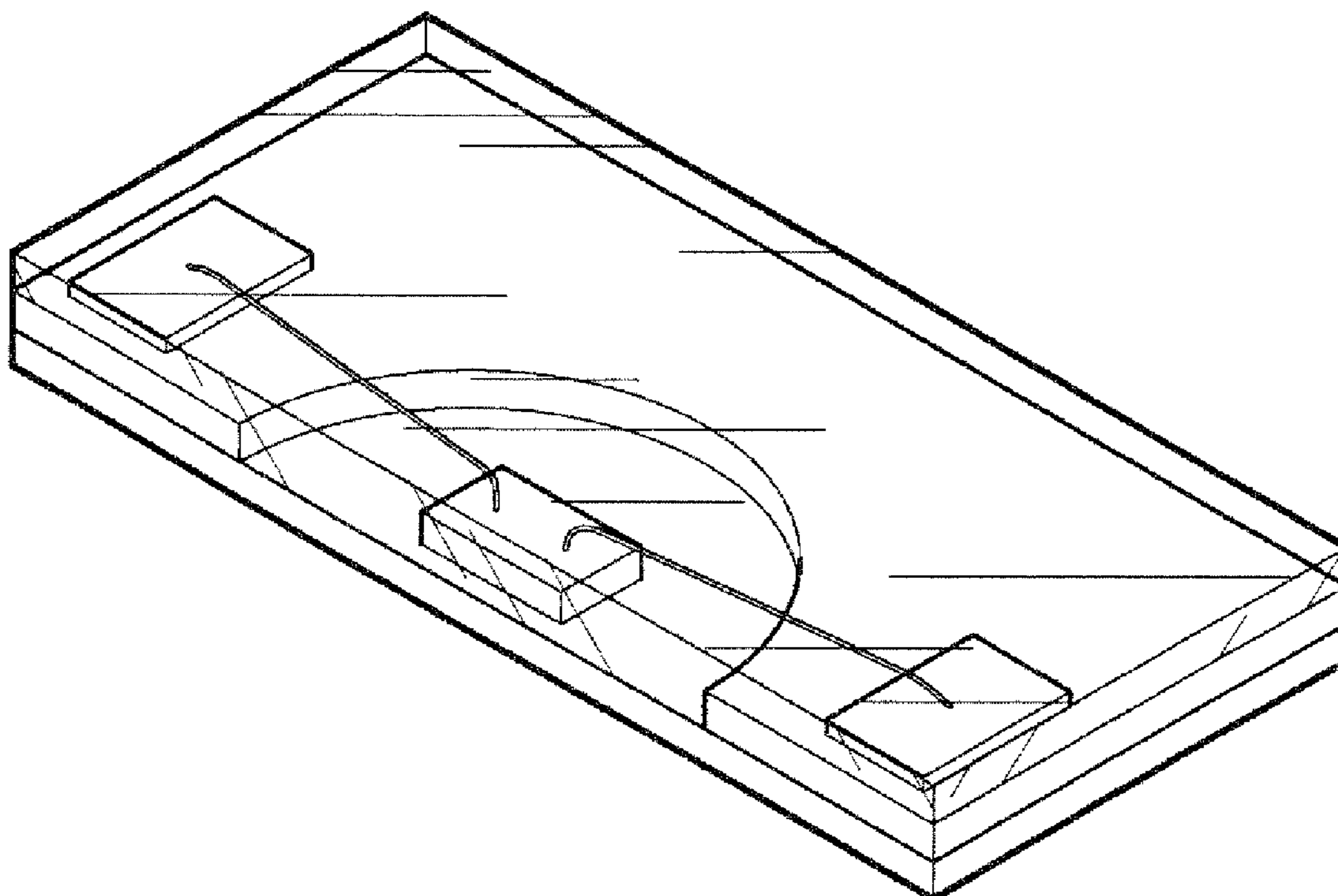


Fig. 1

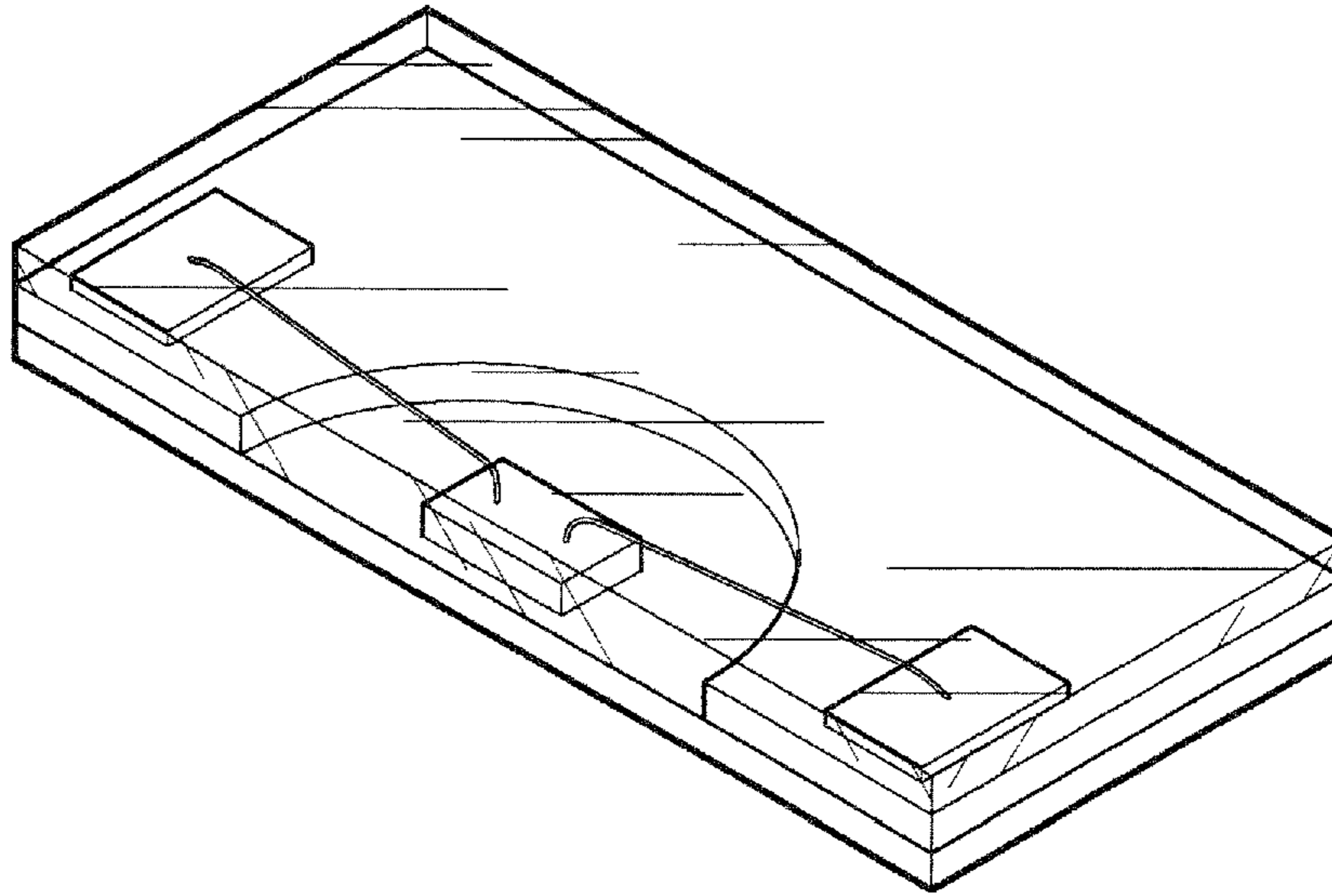


Fig. 2

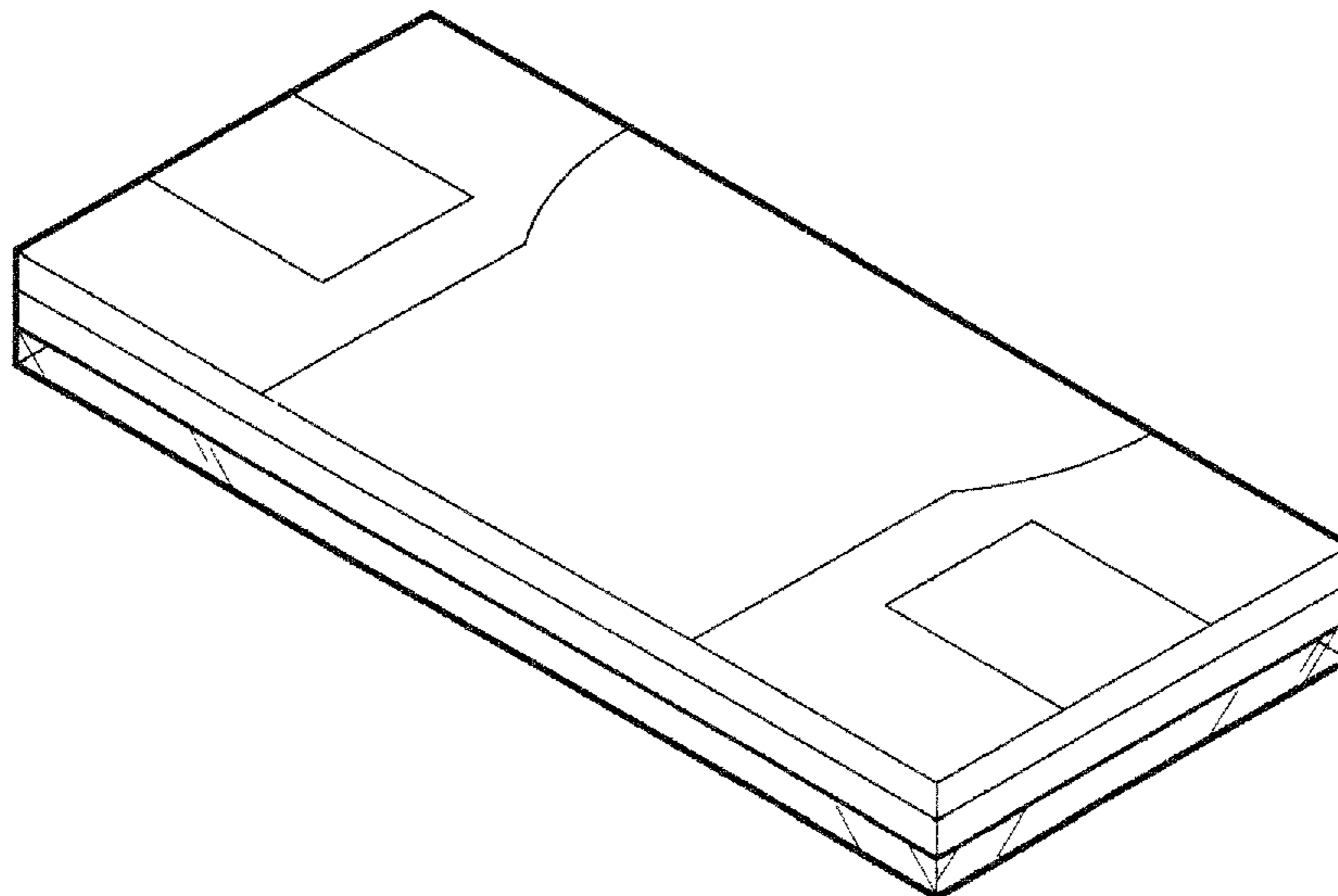


Fig. 3

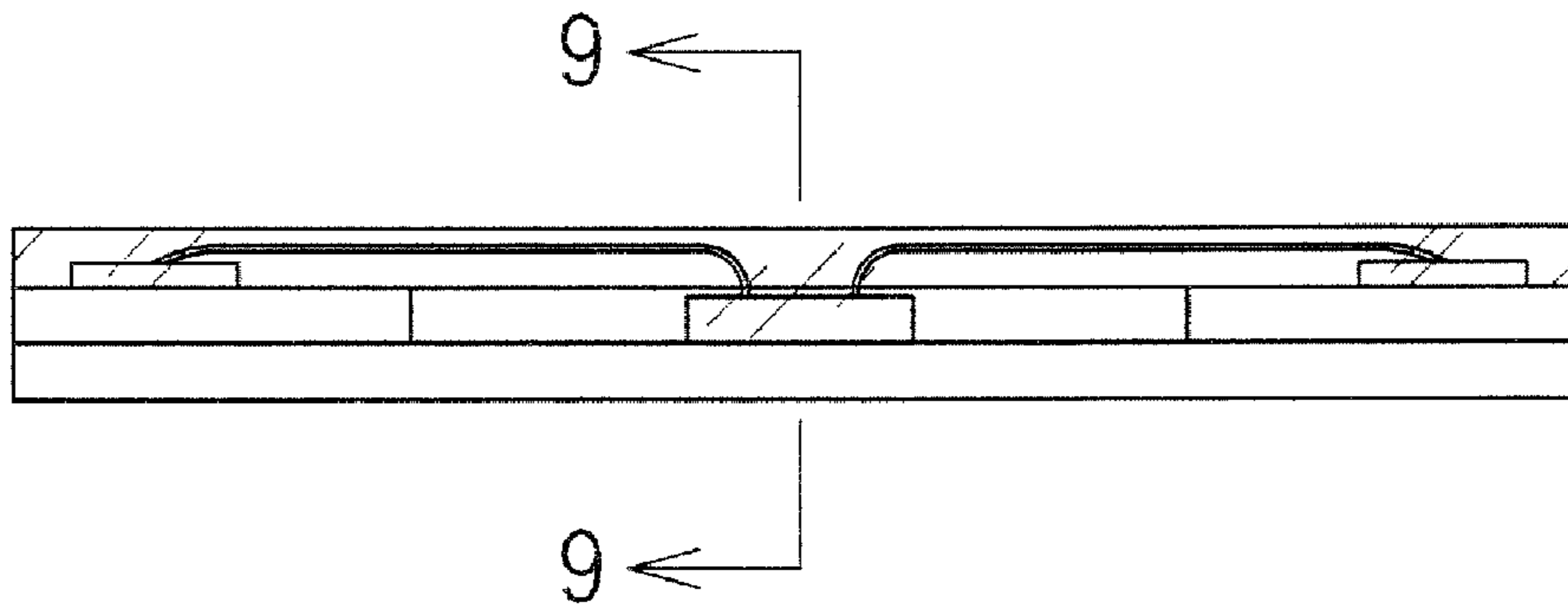


Fig. 4

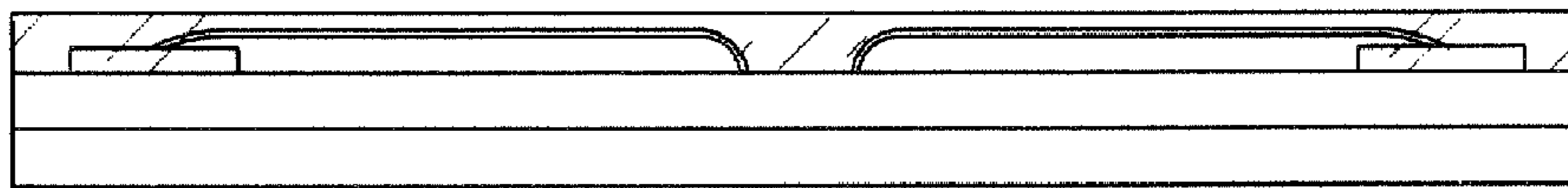


Fig. 5

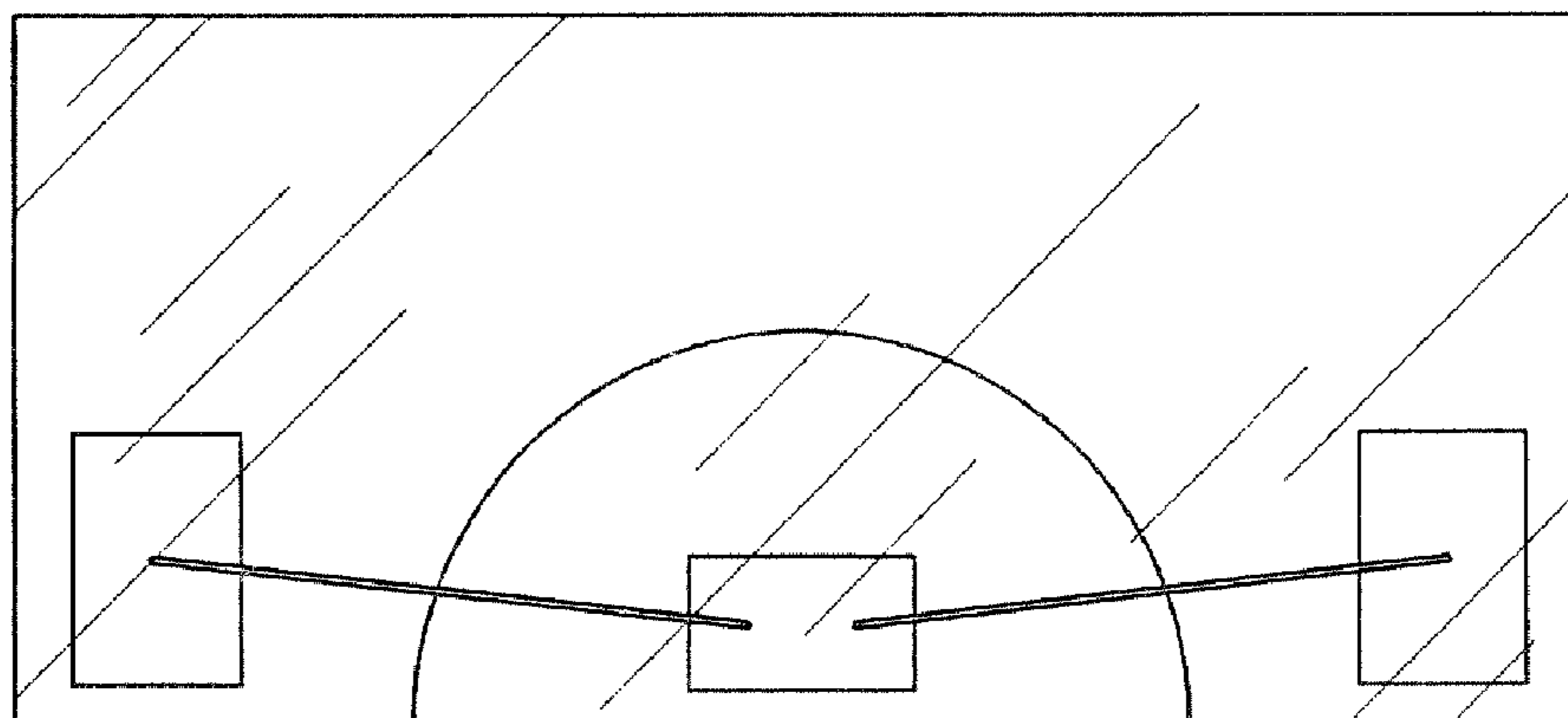


Fig. 6

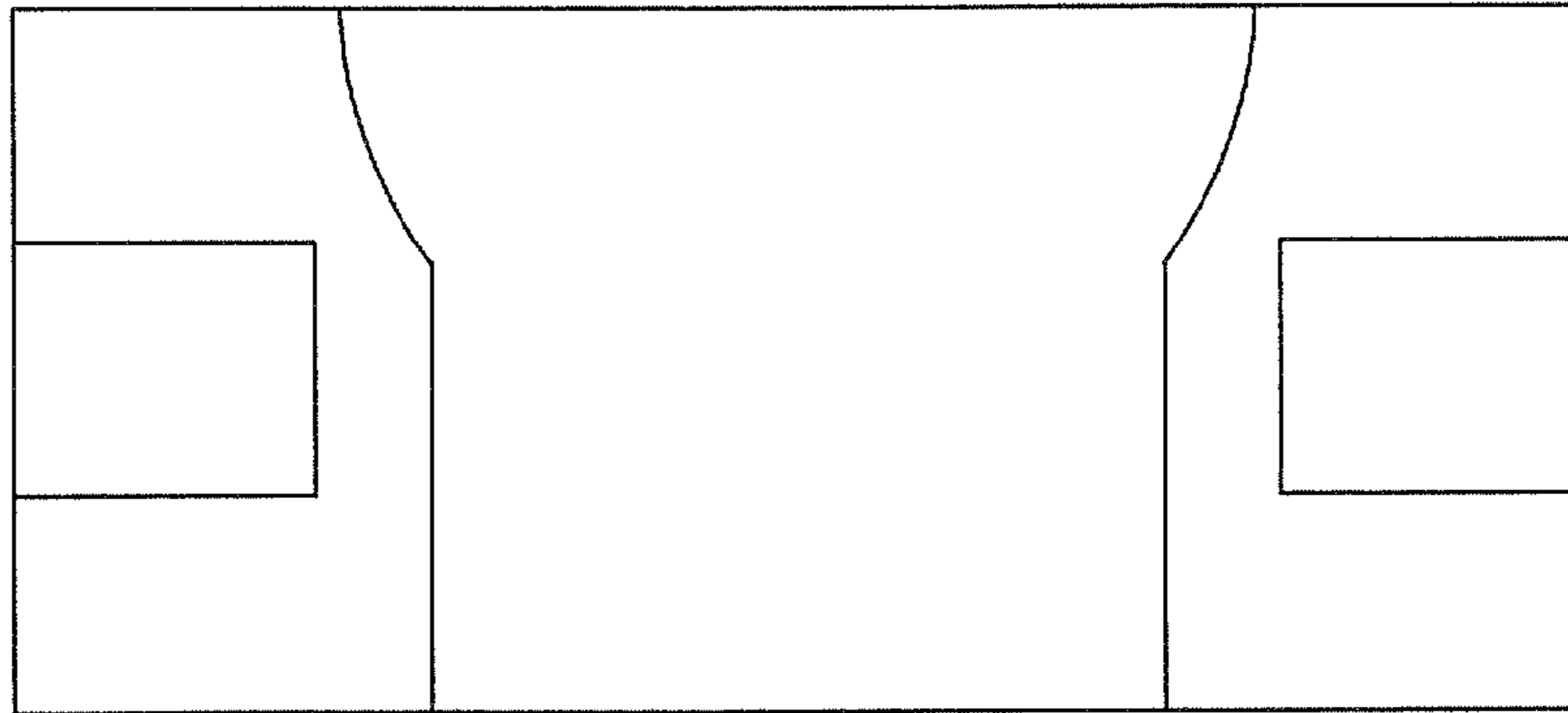


Fig. 7

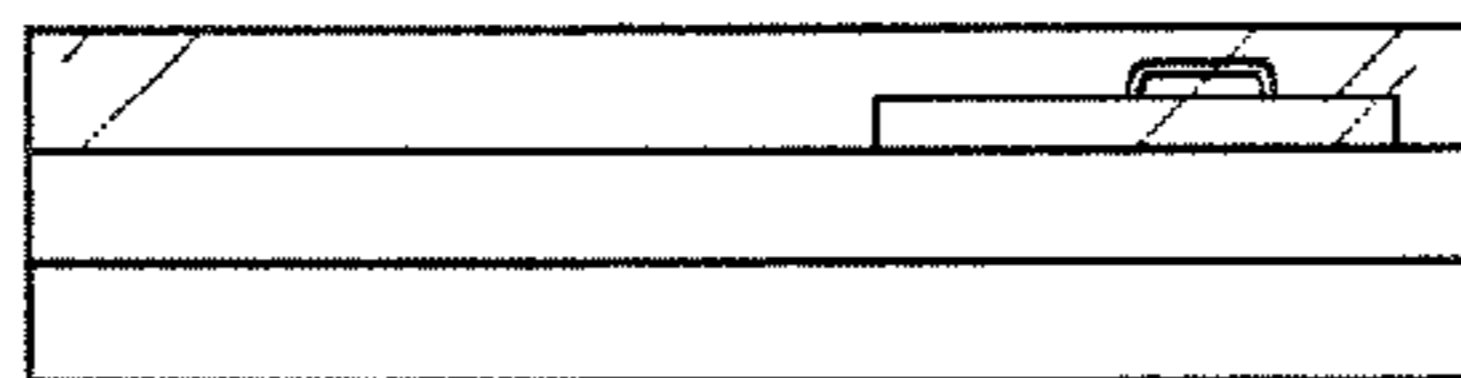


Fig. 8

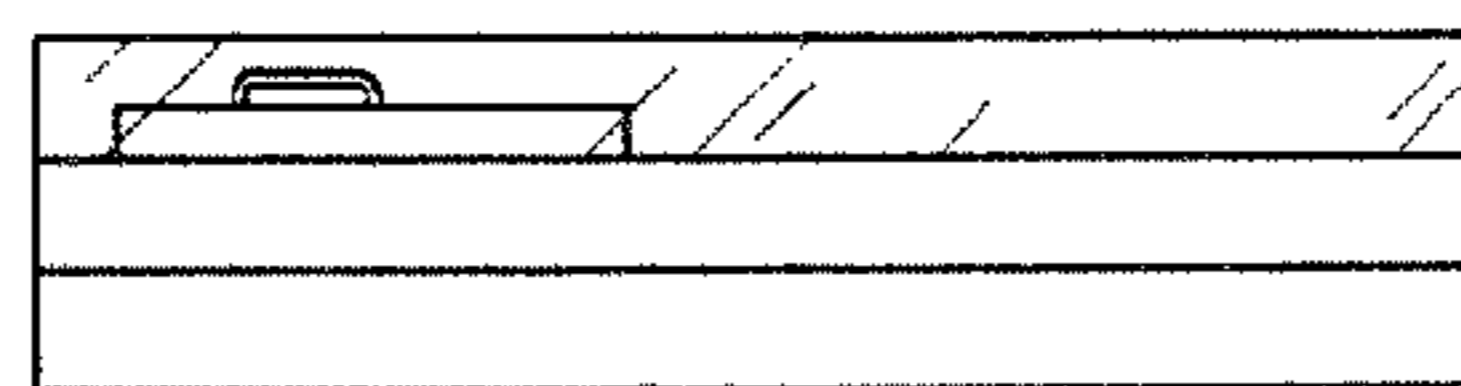


Fig. 9

