



US00D590353S

(12) **United States Design Patent**
Hood et al.

(10) **Patent No.:** **US D590,353 S**
(45) **Date of Patent:** **** Apr. 14, 2009**

(54) **VEHICLE ELECTRICAL CENTER COVER**

(75) Inventors: **Kerri Michelle Hood**, Schaumburg, IL (US); **Julio Cesar Urrea**, Chicago, IL (US); **Edwin J. Harris, IV**, Oak Park, IL (US); **Ronald Michael Rygiel**, Schaumburg, IL (US)

(73) Assignee: **Littelfuse, Inc.**, Des Plaines, IL (US)

(**) Term: **14 Years**

(21) Appl. No.: **29/317,165**

(22) Filed: **Apr. 23, 2008**

(51) **LOC (9) Cl.** **13-03**

(52) **U.S. Cl.** **D13/178; D13/160; D13/177**

(58) **Field of Classification Search** D13/160, D13/161, 173, 177, 178, 181, 184, 199; 337/181, 337/186, 196, 199, 205, 213; 361/600, 626, 361/642, 646, 833, 834, 809, 835; 439/76.12, 439/621, 622, 698, 830, 831, 832; D9/452-454
See application file for complete search history.

(56) **References Cited**

U.S. PATENT DOCUMENTS

1,484,448 A	2/1924	Hart
1,513,691 A	10/1924	Bissell
1,522,729 A	1/1925	Loudon
1,529,773 A	3/1925	Crabbs
1,555,930 A	10/1925	Allen
1,631,178 A	6/1927	Wurdack
1,638,257 A	8/1927	Gunn
1,650,252 A	11/1927	Wilhelm
1,700,582 A	1/1929	Brown
1,714,790 A	5/1929	Kovar
1,715,799 A	6/1929	Taylor
1,721,098 A	7/1929	Wallis
1,732,265 A	10/1929	Fried
1,735,072 A	11/1929	Benjamin
1,805,725 A	5/1931	Sachs
1,817,521 A	8/1931	Messing
1,821,987 A	9/1931	Redshaw
1,832,796 A	11/1931	Straubing et al.

1,833,158 A	11/1931	Frank
1,851,471 A	3/1932	Wadsworth
1,856,423 A	5/1932	Olley
1,863,932 A	6/1932	Mogilner
1,880,543 A	10/1932	Wadsworth
1,888,854 A	11/1932	France et al.
1,917,861 A	7/1933	Wadsworth
1,917,862 A	7/1933	Wadsworth
1,965,410 A	7/1934	Frank
2,011,654 A	8/1935	Sandin
2,086,727 A	7/1937	Morris

(Continued)

Primary Examiner—Daniel D Bui
Assistant Examiner—Thomas J Johannes
(74) *Attorney, Agent, or Firm*—Bell, Boyd & Lloyd LLP

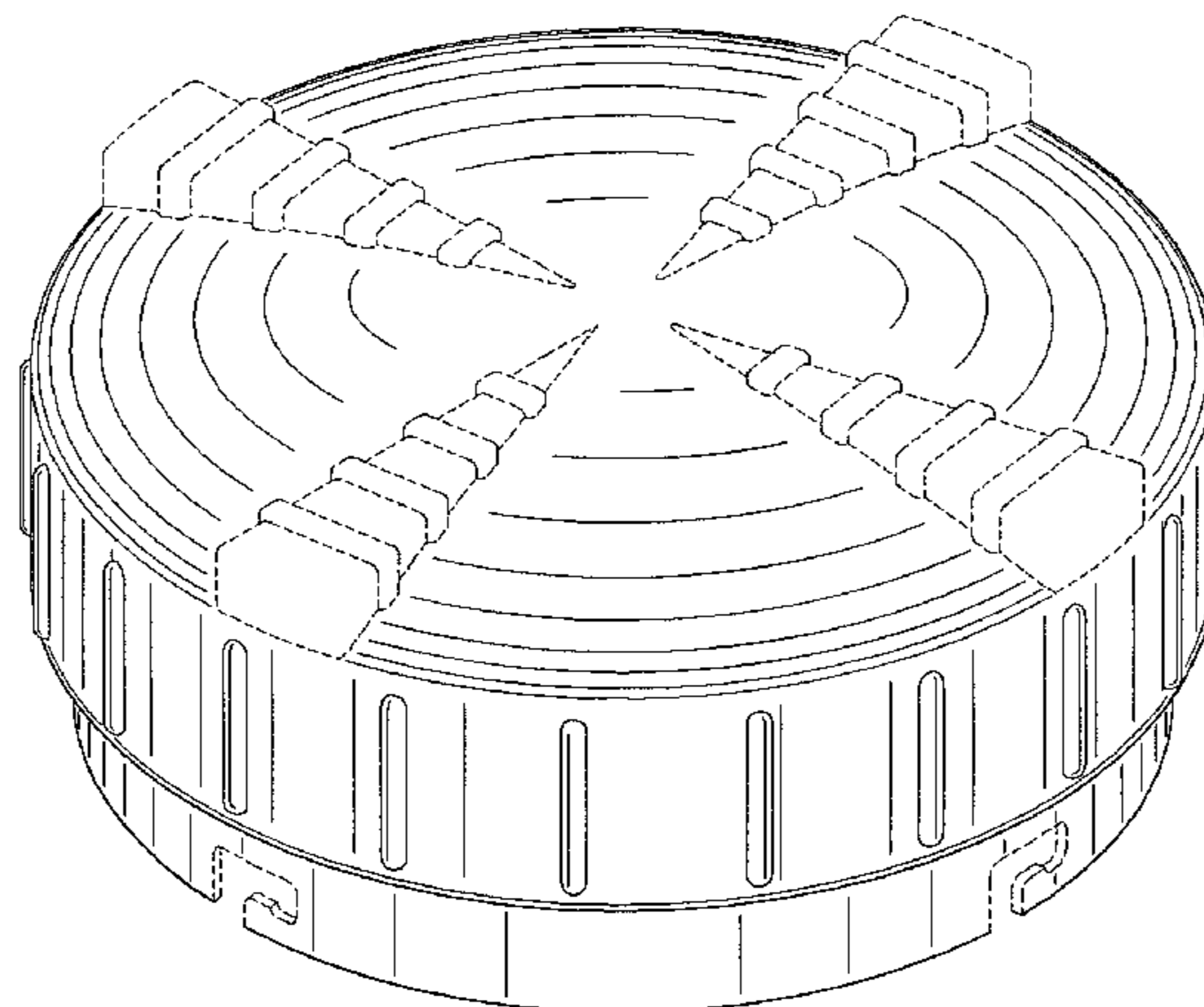
(57) **CLAIM**

We claim the ornamental design for a vehicle electrical center cover, as shown and described.

DESCRIPTION

FIG. 1 is a perspective view of a vehicle electrical center cover, showing our new design.
FIG. 2 is a front view thereof;
FIG. 3 is a rear view thereof;
FIG. 4 is a left side view thereof;
FIG. 5 is a right side view thereof;
FIG. 6 is a top view thereof; and,
FIG. 7 is a bottom view thereof.
The broken line portion shown in all the figures is included to show unclaimed subject matter only and forms no part of the claimed design.

1 Claim, 5 Drawing Sheets



US D590,353 S

Page 2

U.S. PATENT DOCUMENTS					
2,145,154 A	1/1939	Corbett	5,324,214 A	6/1994	De Castro
2,158,655 A	5/1939	Frank	5,365,395 A	11/1994	Callaway
2,163,460 A	6/1939	Dahl	D359,682 S *	6/1995	Miller D9/434
2,239,660 A	4/1941	Shipley et al.	5,476,396 A	12/1995	De Castro
2,264,260 A	11/1941	Schmitt et al.	5,488,345 A	1/1996	Seki et al.
2,271,693 A	2/1942	House	D367,818 S *	3/1996	Zana D9/454
2,334,550 A	11/1943	Griffith	5,515,023 A	5/1996	Marach et al.
2,524,004 A	9/1950	Wallace et al.	5,629,663 A	5/1997	Seki et al.
2,851,671 A	9/1958	Luce	5,632,654 A	5/1997	Sugiura
3,268,692 A	8/1966	Oldham	D381,010 S	7/1997	Ansley
3,299,236 A	1/1967	Barker	5,643,693 A	7/1997	Hill et al.
3,354,356 A	11/1967	Pettit et al.	5,659,283 A	8/1997	Arratia
3,486,154 A	12/1969	Seagrave et al.	5,680,088 A	10/1997	Seki et al.
3,704,438 A	11/1972	Boone	5,831,827 A *	11/1998	Fekete et al. 361/728
3,796,978 A	3/1974	Grunert et al.	D406,111 S	2/1999	Awbrey
3,967,164 A	6/1976	Valle	D408,368 S	4/1999	Awbrey et al.
3,993,395 A	11/1976	Taylor	5,906,514 A	5/1999	Nelson, Jr.
4,221,455 A	9/1980	Cairns et al.	RE36,317 E	9/1999	Arratia
4,221,456 A	9/1980	Cairns et al.	5,949,148 A	9/1999	Wagner
4,226,493 A	10/1980	Cairns et al.	6,186,633 B1	2/2001	Zen et al.
4,278,316 A	7/1981	White	6,215,173 B1	4/2001	Echigoya
4,332,002 A	5/1982	Yamaguchi et al.	D451,393 S *	12/2001	Gerhart et al. D9/453
4,371,743 A	2/1983	Decker	6,431,880 B1	8/2002	Davis et al.
4,390,225 A	6/1983	Coyne et al.	6,437,986 B1	8/2002	Koshiba
4,432,594 A	2/1984	Daggett	6,443,771 B2	9/2002	Kondo et al.
4,544,907 A	10/1985	Takano	6,457,995 B1	10/2002	Brooks
D284,853 S *	7/1986	Djurinec D13/173	6,504,468 B2	1/2003	Lee et al.
4,721,862 A	1/1988	Cooper	6,560,123 B1	5/2003	de Varennes et al.
4,722,701 A	2/1988	Bradt	6,700,081 B1	3/2004	Houck, III
4,761,148 A	8/1988	Sappington	6,724,291 B1	4/2004	Byaliy et al.
4,768,968 A	9/1988	Daggett et al.	D490,381 S	5/2004	Dejan
4,810,991 A	3/1989	Olesak et al.	6,753,718 B2	6/2004	Keum
4,830,631 A	5/1989	Hsueh	6,757,180 B1 *	6/2004	Chiang et al. 361/807
4,837,546 A	6/1989	Bernstein	6,878,004 B2	4/2005	Oh
4,845,708 A	7/1989	Herrmann, Jr. et al.	6,881,909 B2	4/2005	Houck, III
4,846,733 A	7/1989	Baisz et al.	6,992,945 B2	1/2006	Otsuka
4,880,398 A	11/1989	Hsueh	D517,996 S	3/2006	Lacy et al.
D305,531 S *	1/1990	Suzuki et al. D13/126	7,071,427 B2	7/2006	Houck, III et al.
4,921,450 A	5/1990	Herbert	D528,998 S	9/2006	Song et al.
4,941,851 A	7/1990	Hsueh	7,265,289 B2 *	9/2007	Roehm et al. 174/50
D321,683 S	11/1991	Marach	7,315,006 B2	1/2008	Houck, III et al.
RE33,877 E	4/1992	Sappington	7,344,415 B2	3/2008	Inaba et al.
5,116,246 A	5/1992	Perry et al.	7,367,465 B2 *	5/2008	Taber et al. 215/352
5,125,855 A	6/1992	Brooks	2005/0040718 A1 *	2/2005	Sesselmann 310/89
5,150,094 A	9/1992	Babini	2006/0258218 A1 *	11/2006	Chen 439/607
5,277,626 A	1/1994	Oikawa et al.			

* cited by examiner

FIG. 1

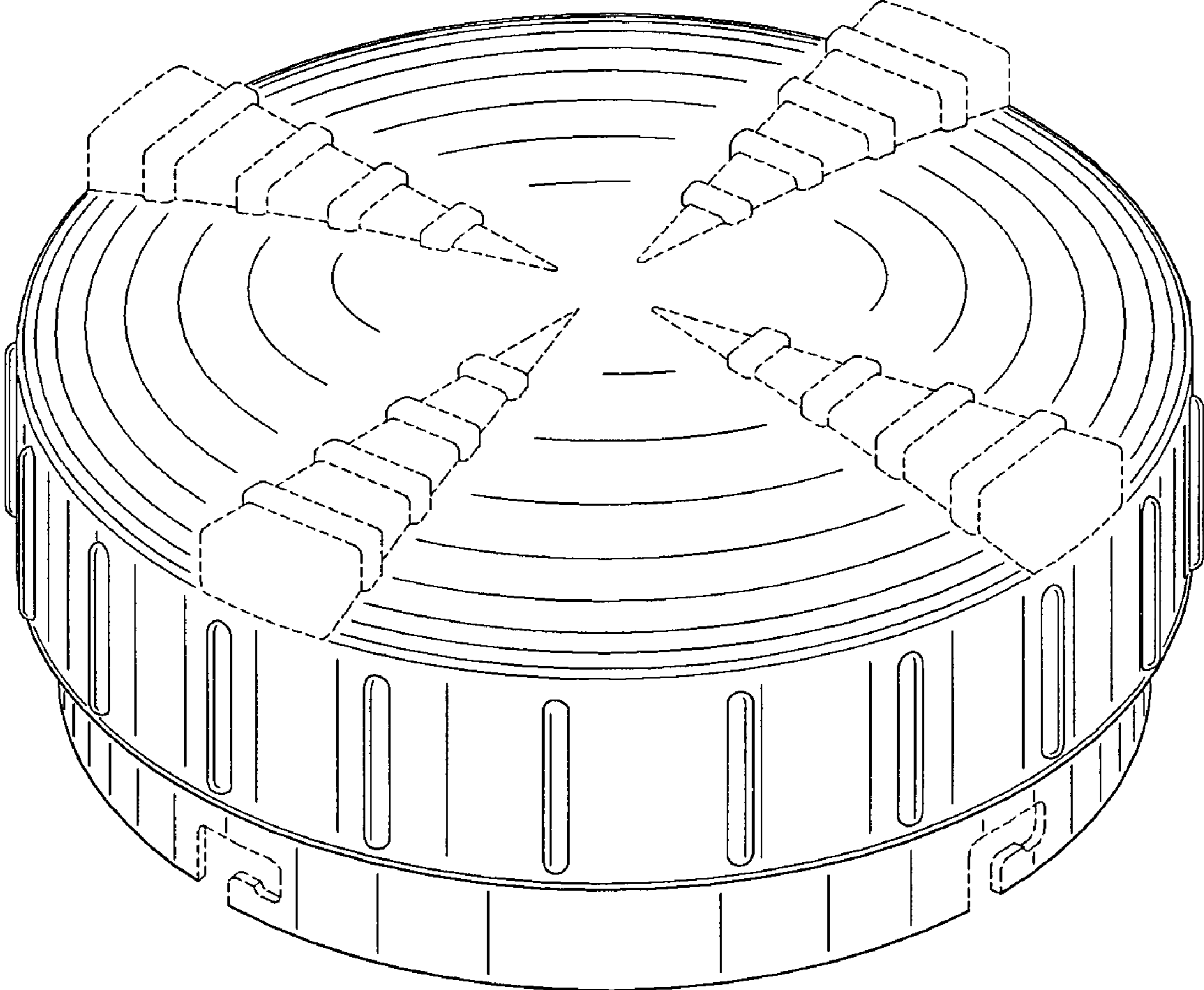


FIG. 2

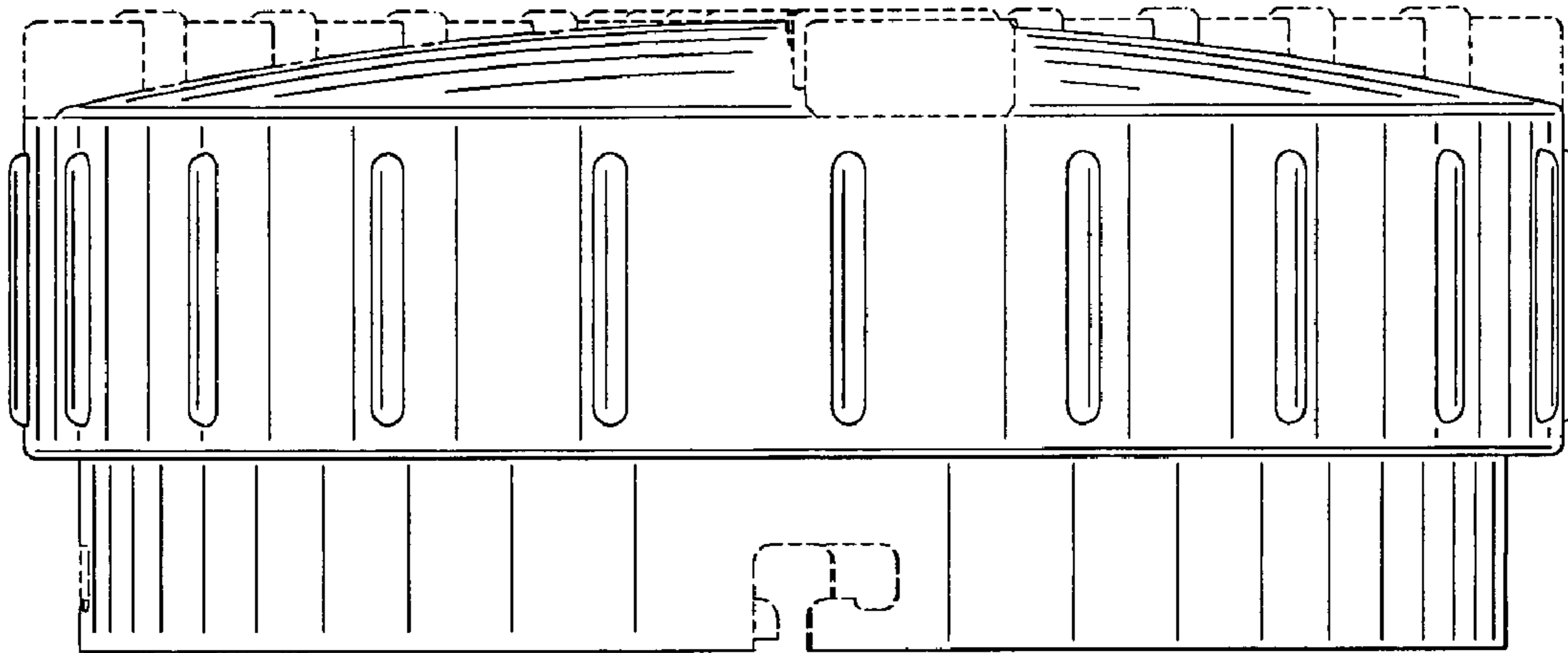


FIG. 3

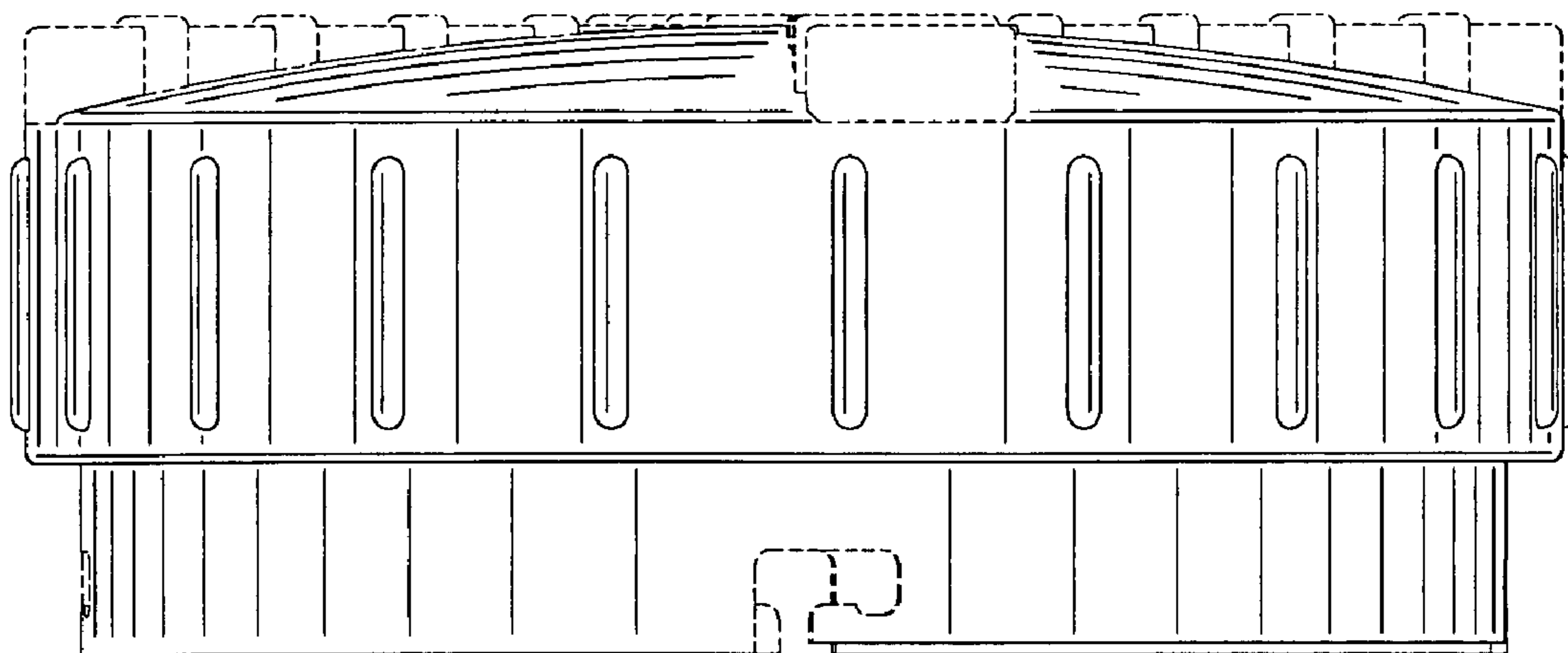


FIG. 4

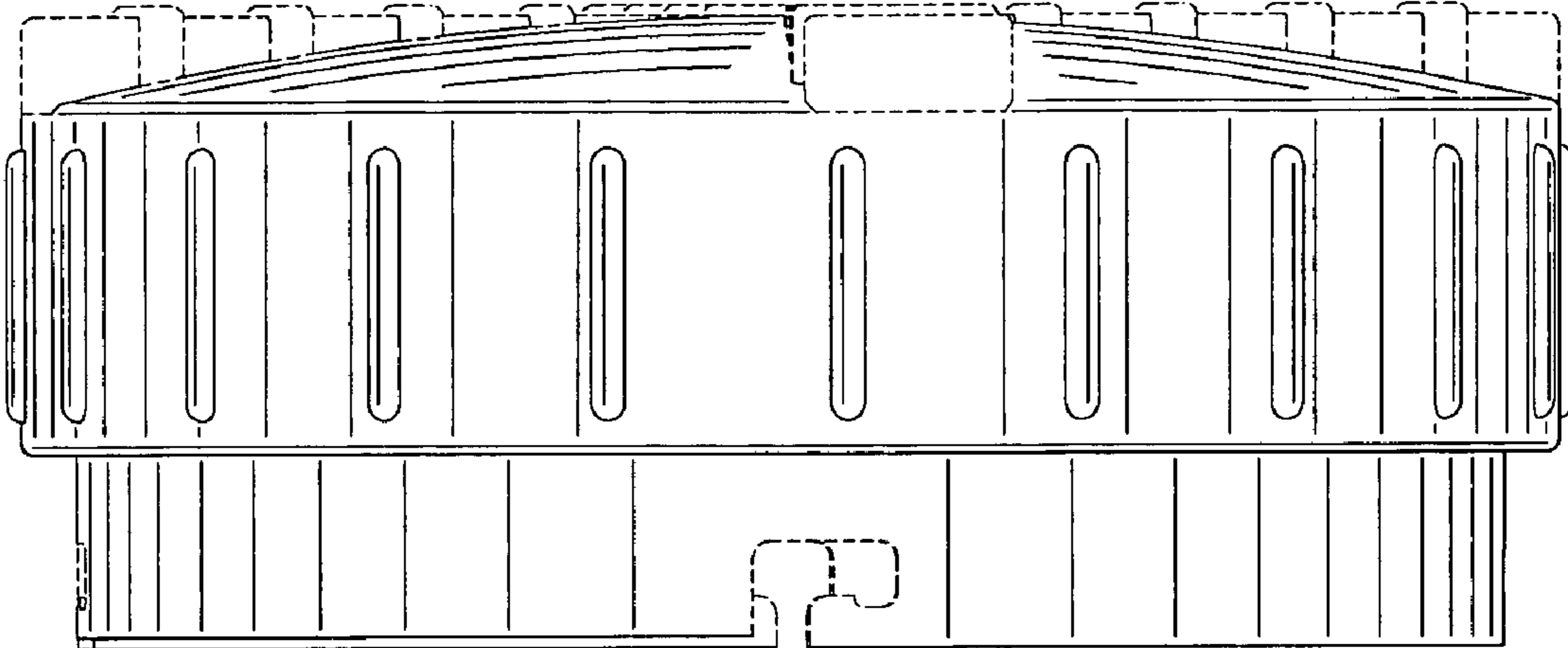


FIG. 5

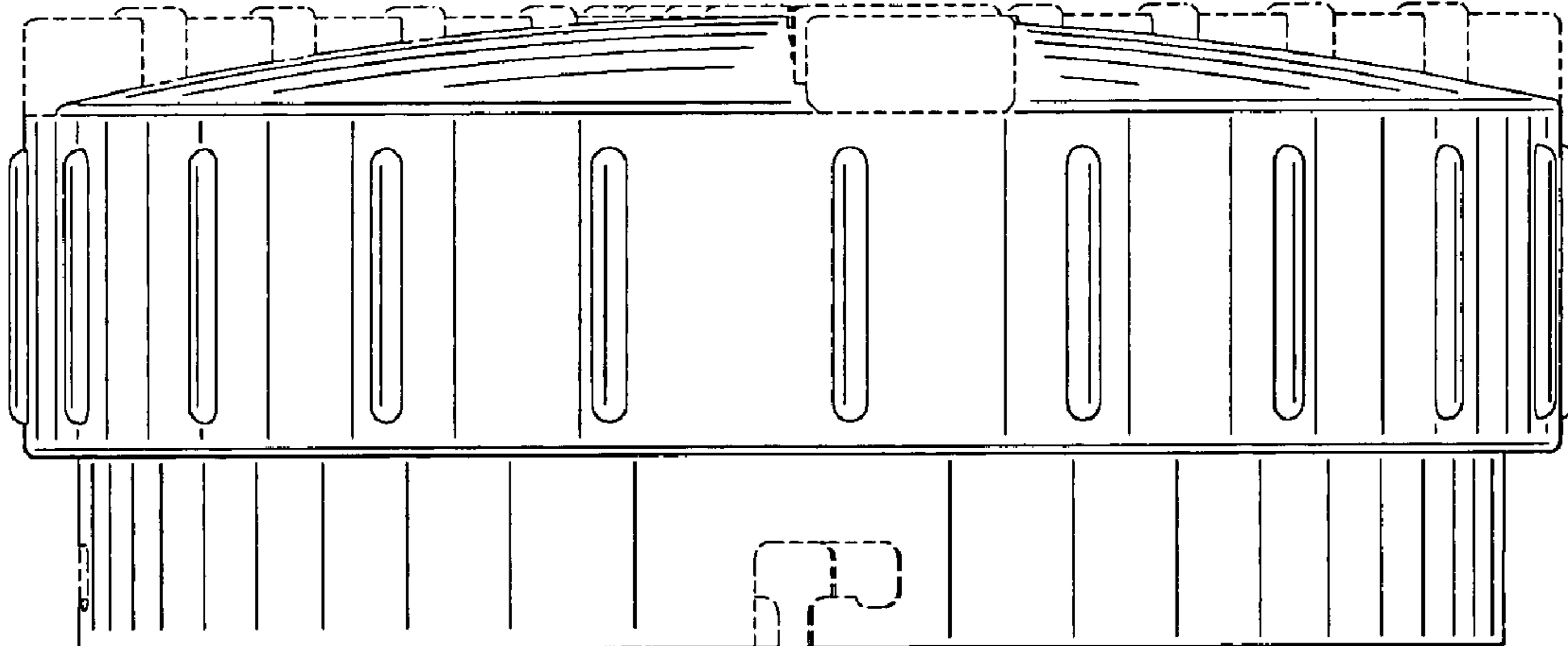


FIG. 6

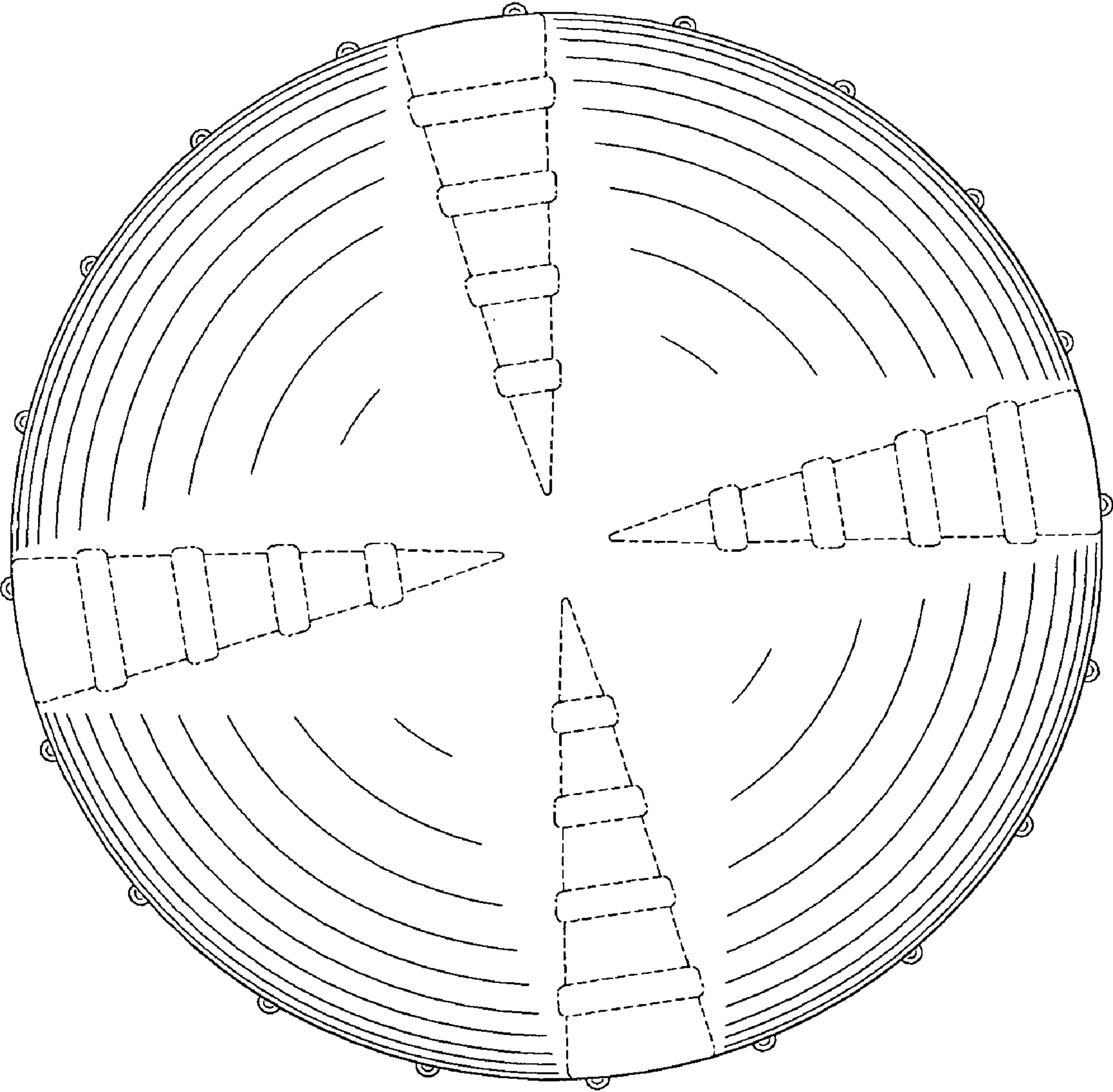


FIG. 7

