



US00D590351S

(12) **United States Design Patent**
Lifran

(10) **Patent No.:** **US D590,351 S**

(45) **Date of Patent:** **** Apr. 14, 2009**

(54) **CIRCUIT BREAKER**

(75) Inventor: **Xavier Lifran**, Le Touvet (FR)

(73) Assignee: **Schneider Electric Industries SAS**,
Rueil Malmaison (FR)

(**) Term: **14 Years**

(21) Appl. No.: **29/274,380**

(22) Filed: **Apr. 20, 2007**

(30) **Foreign Application Priority Data**

Oct. 20, 2006 (FR) 06/4847

(51) **LOC (9) Cl.** **13-03**

(52) **U.S. Cl.** **D13/160**

(58) **Field of Classification Search** D13/137.3,
D13/159, 160, 162, 178; 200/17 R, 50.02,
200/20.26, 144 R, 147 R, 244, 304, 307,
200/308, 318, 330, 400, 401, 552; 218/157;
335/13, 16, 20, 35, 172, 202, 167; 361/93.3,
361/115, 173, 361, 652, 673

See application file for complete search history.

(56) **References Cited**

U.S. PATENT DOCUMENTS

5,219,070 A * 6/1993 Grunert et al. 200/330
5,493,083 A * 2/1996 Olivier 200/17 R

D406,106 S * 2/1999 Gonser D13/160
D498,464 S * 11/2004 Kim D13/160
D506,185 S * 6/2005 Kim D13/160
D580,880 S * 11/2008 Lifran D13/160

* cited by examiner

Primary Examiner—Daniel D Bui

Assistant Examiner—Thomas J Johannes

(74) *Attorney, Agent, or Firm*—Steptoe & Johnson LLP

(57) **CLAIM**

The ornamental design for a circuit breaker, as shown and described.

DESCRIPTION

FIG. 1 is a perspective view of a circuit breaker embodying the inventive design;

FIG. 2 is a front elevation view thereof;

FIG. 3 is a rear elevation view thereof;

FIG. 4 is a top plan view thereof;

FIG. 5 is a bottom plan view thereof;

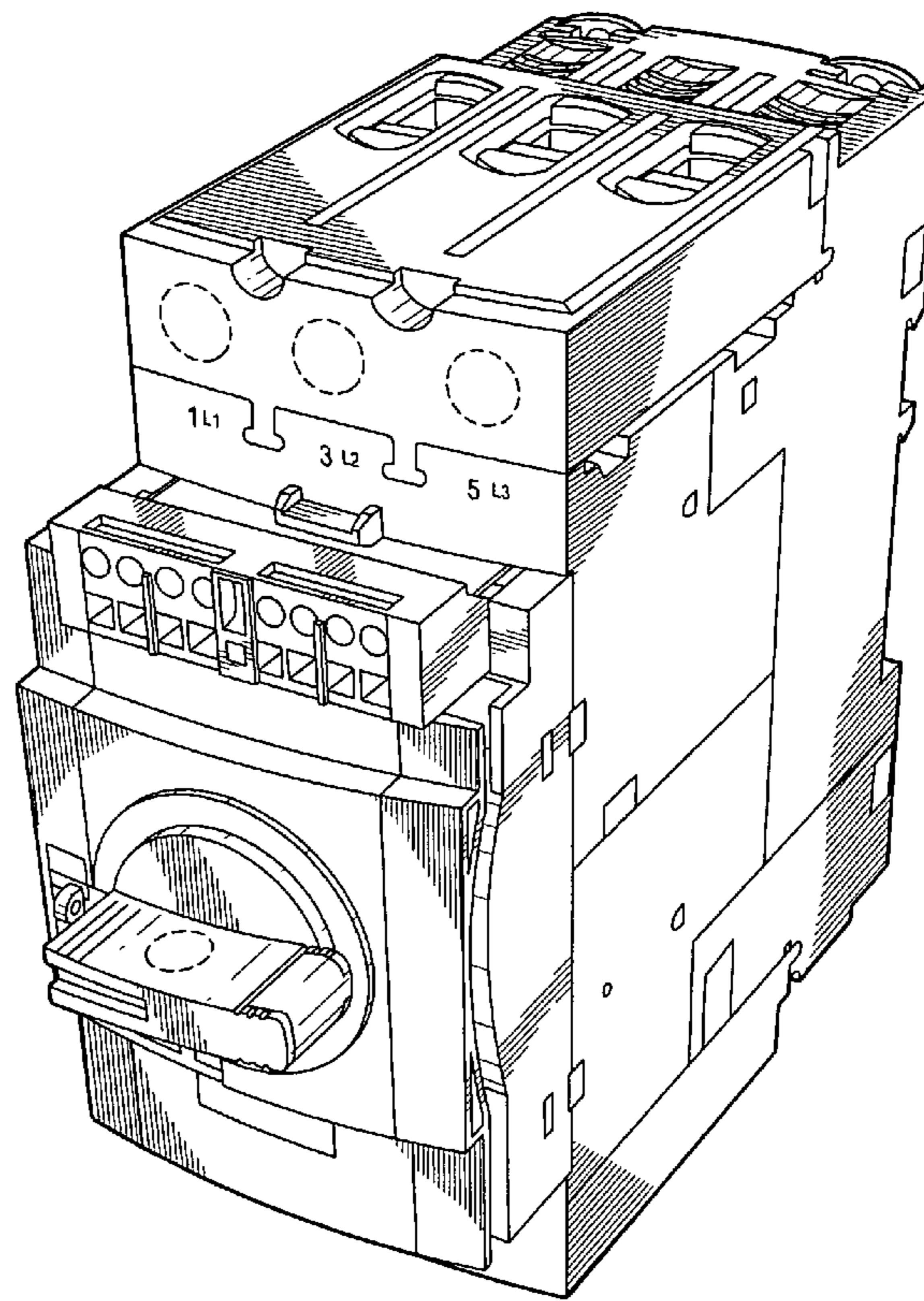
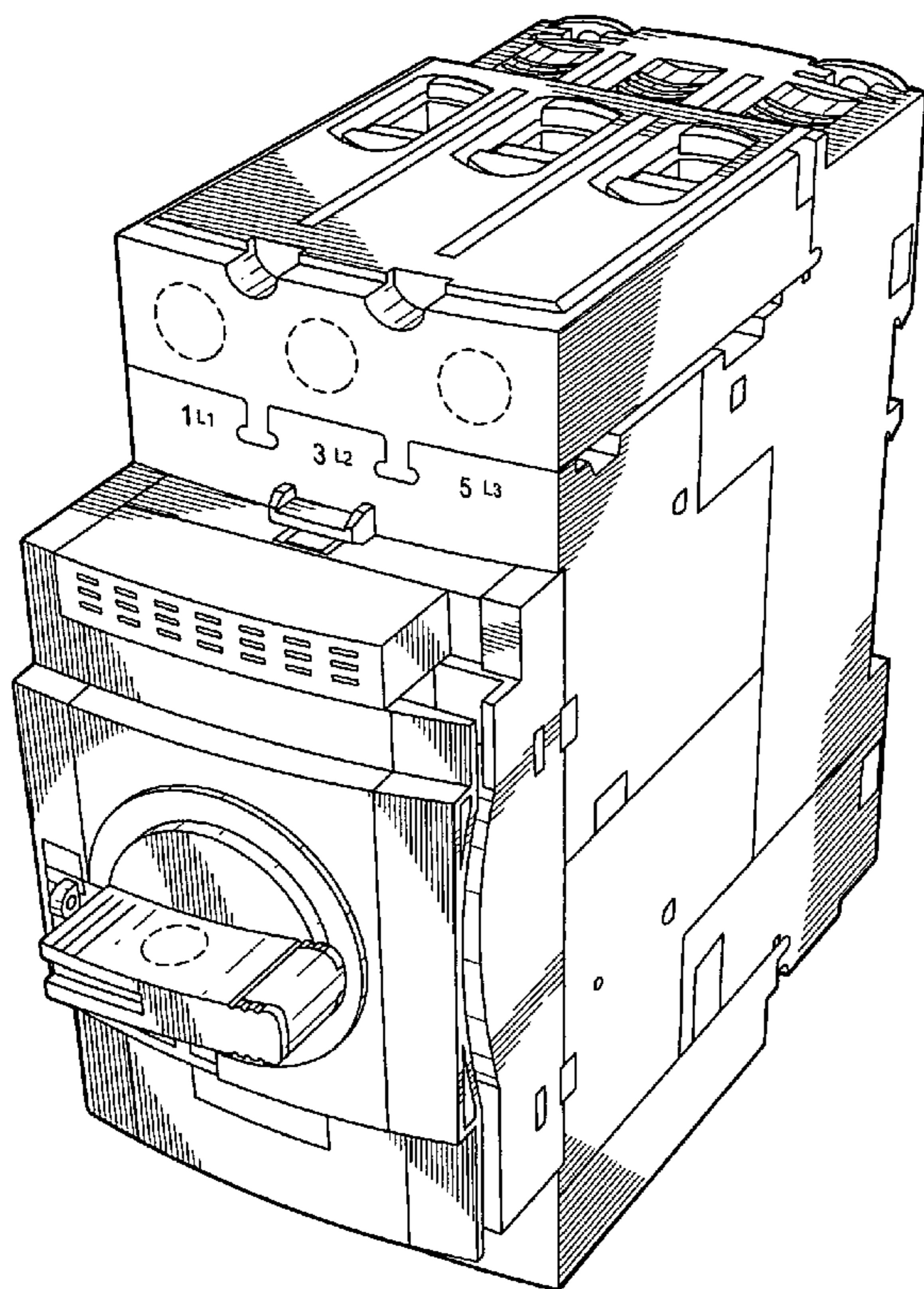
FIG. 6 is a left side elevation view thereof;

FIG. 7 is a right side elevation view thereof;

FIG. 8 is another perspective view thereof; and,

FIG. 9 is still another perspective view thereof.

1 Claim, 9 Drawing Sheets



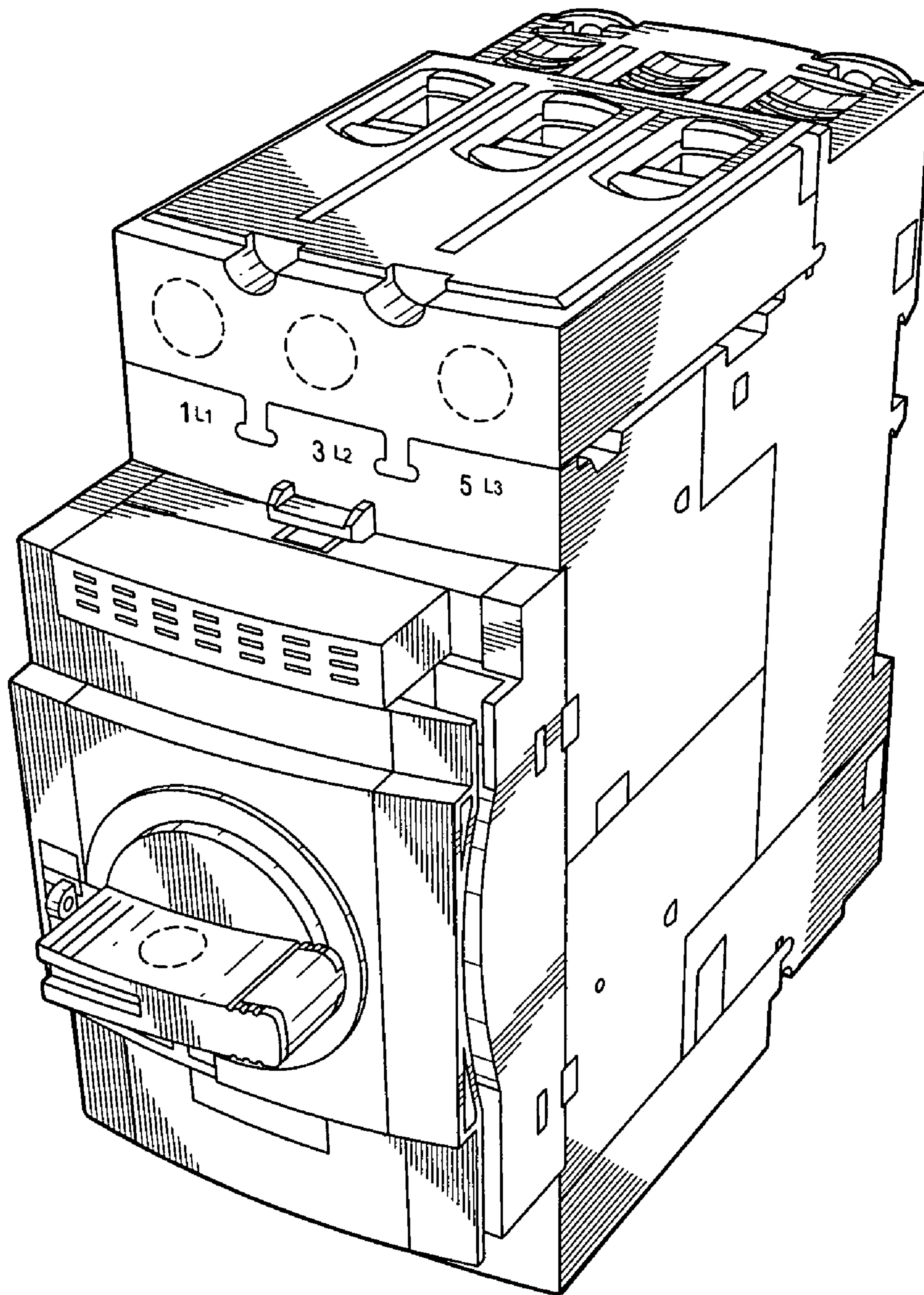


FIG. 1

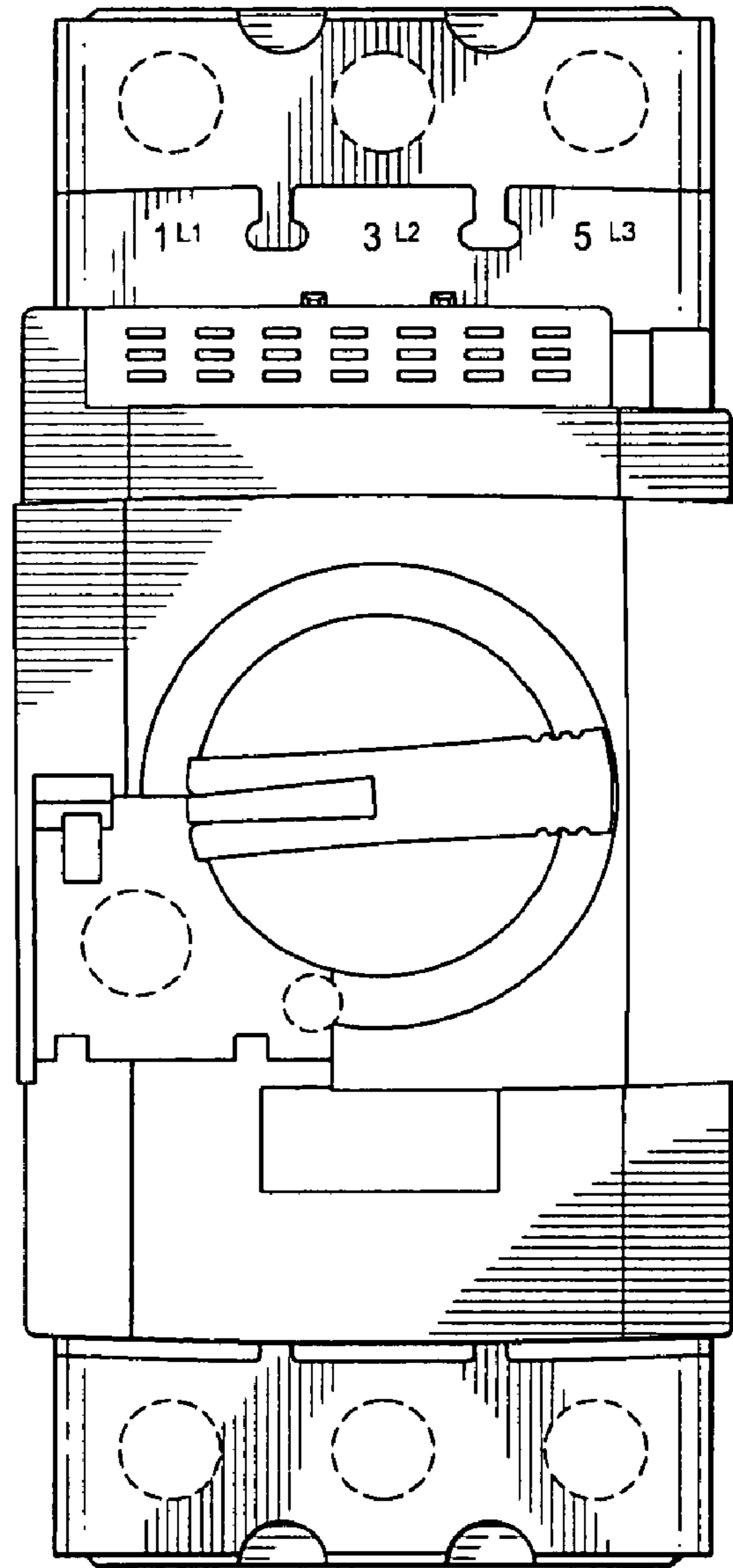


FIG. 2

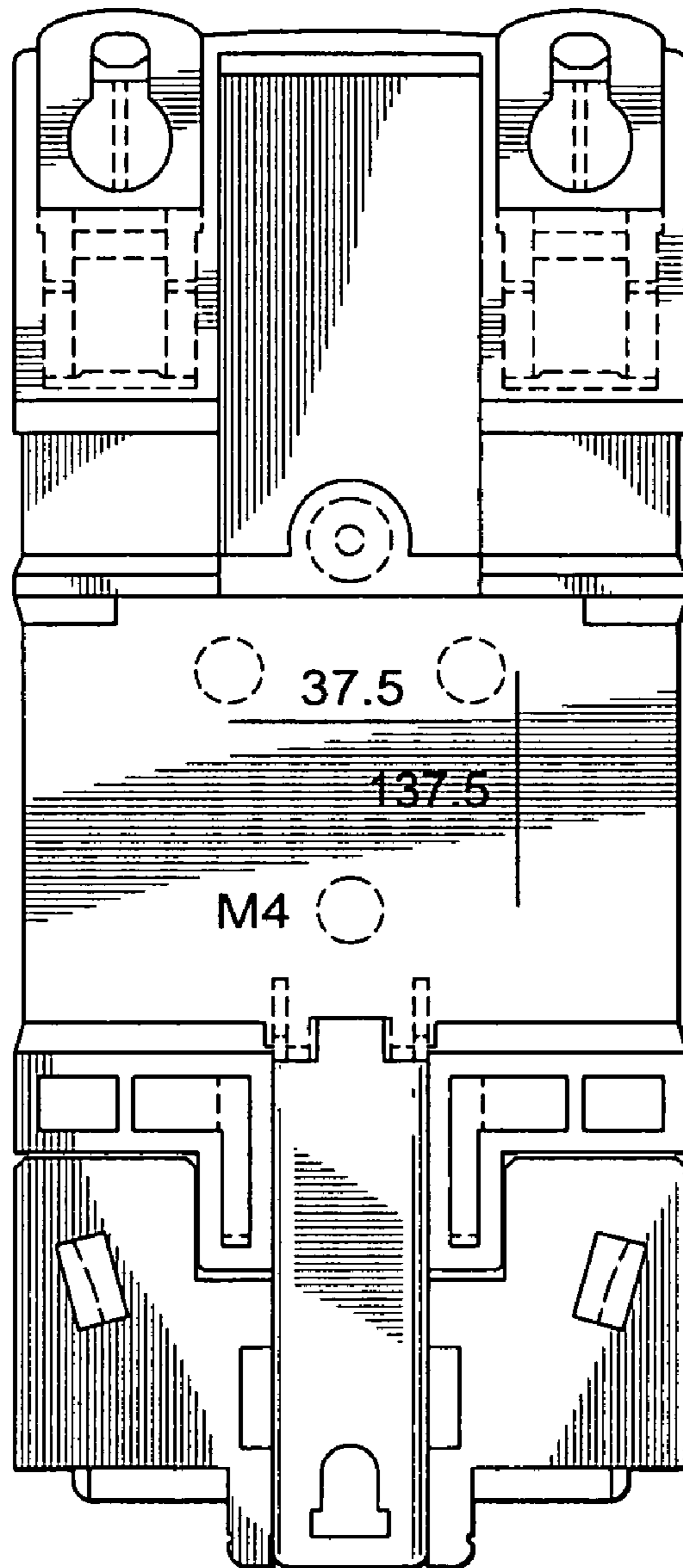


FIG. 3

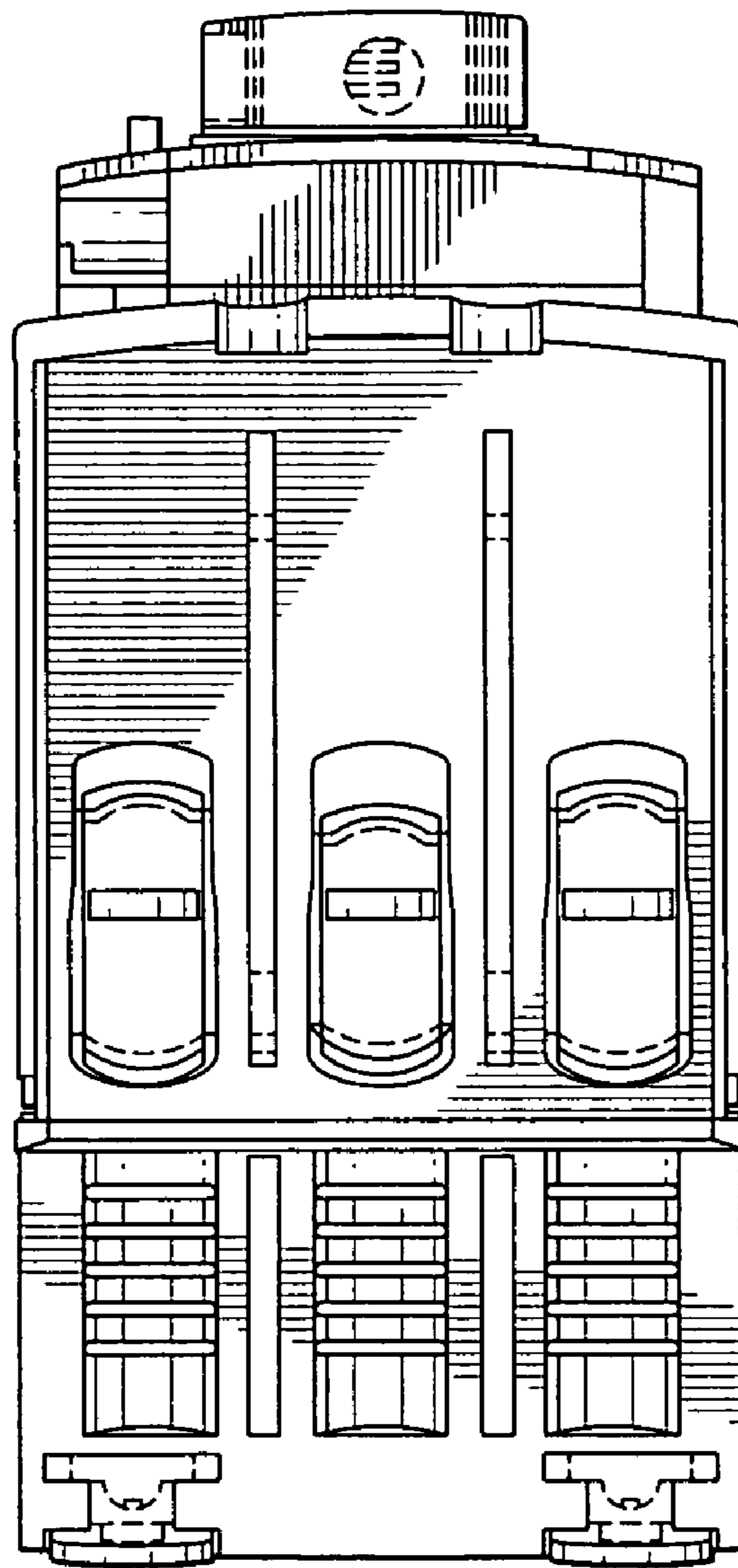


FIG. 4

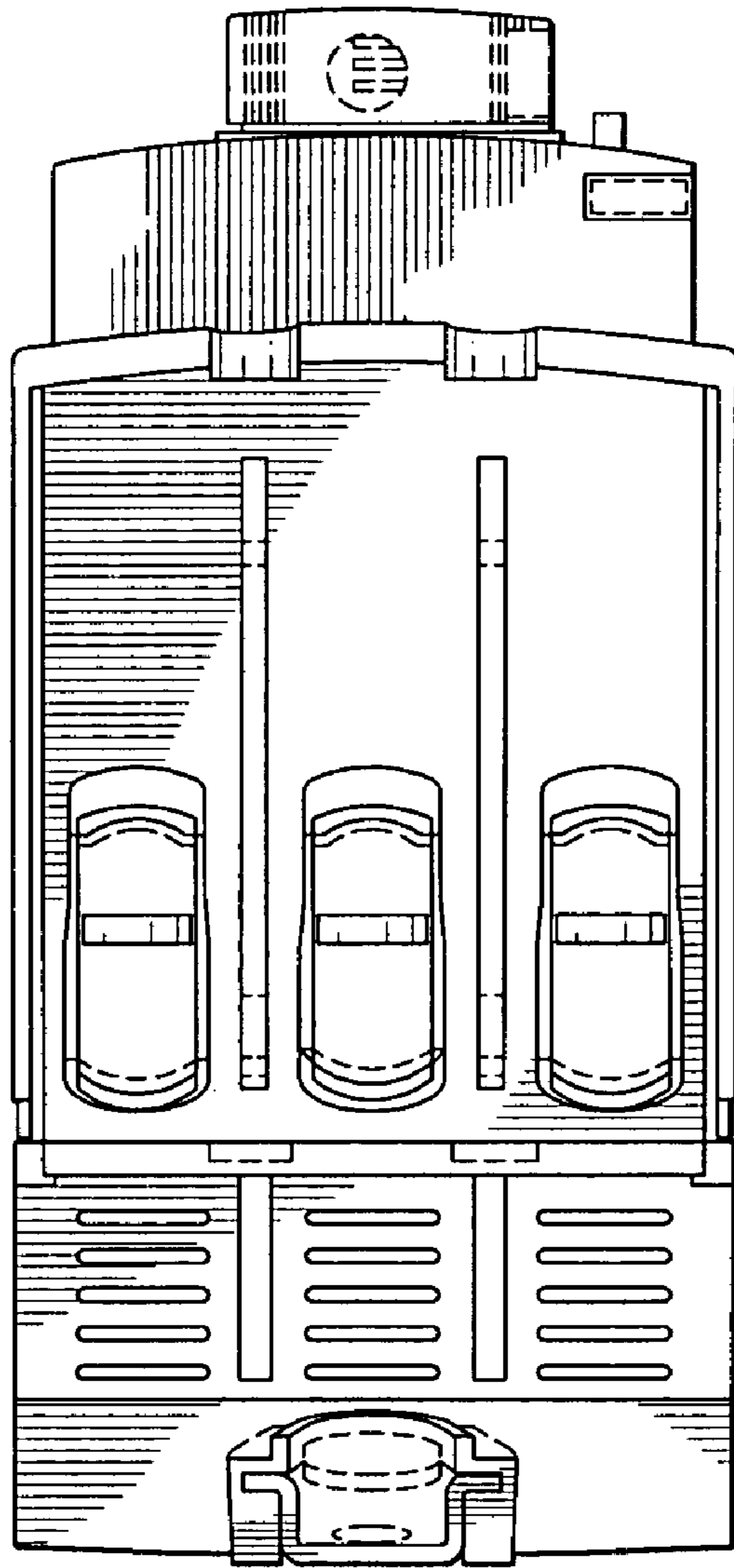


FIG. 5

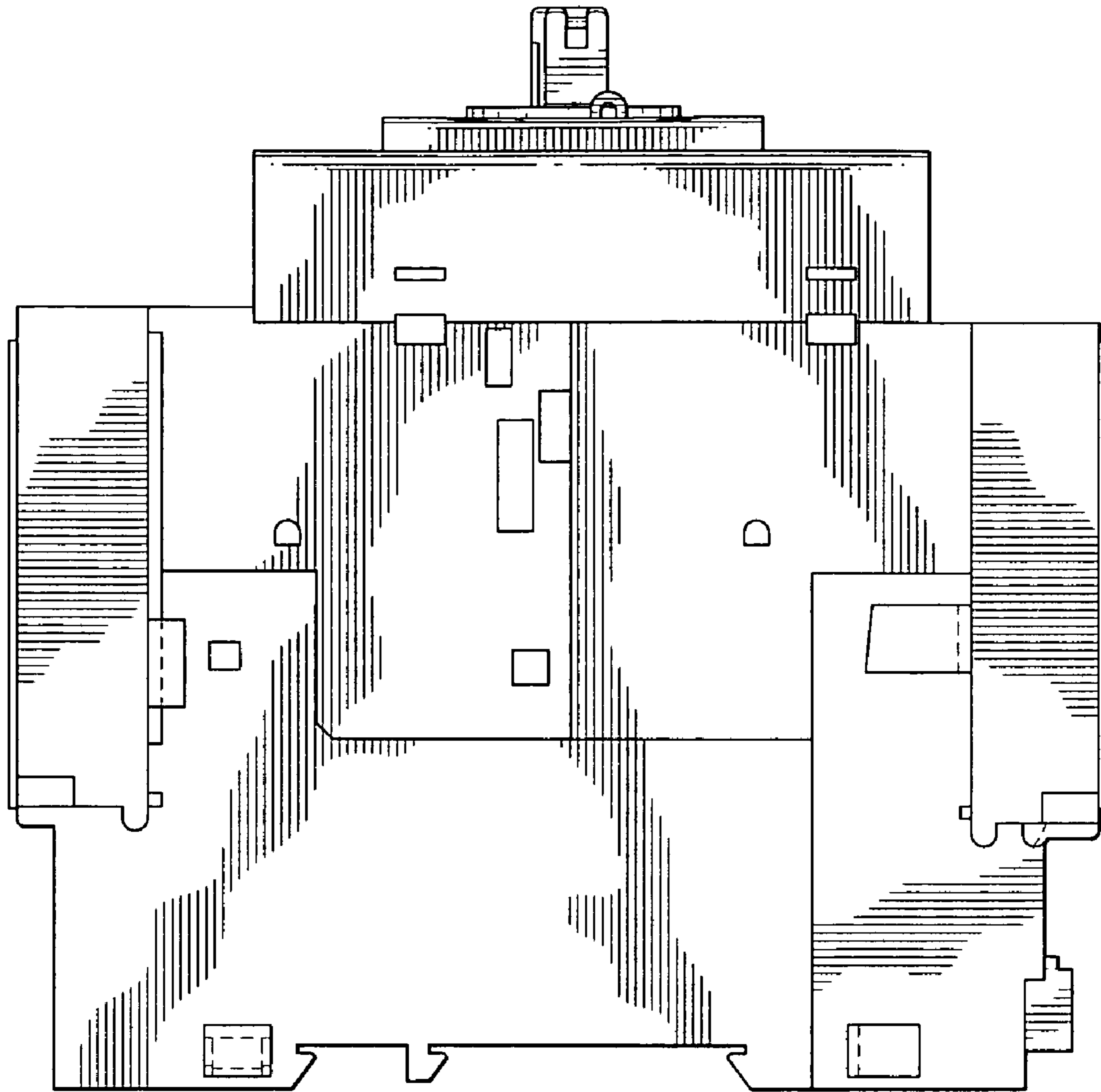


FIG. 6

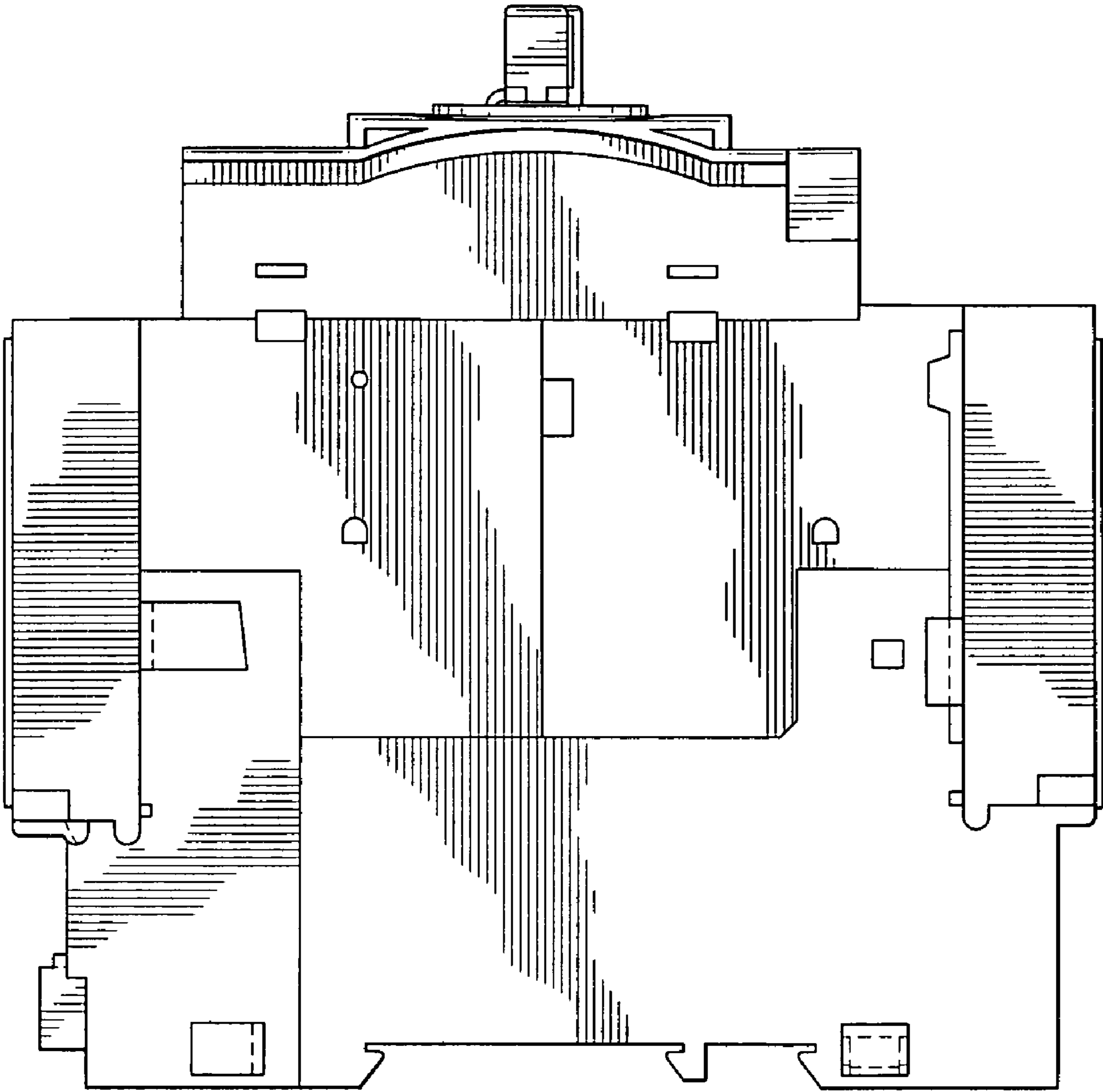


FIG. 7

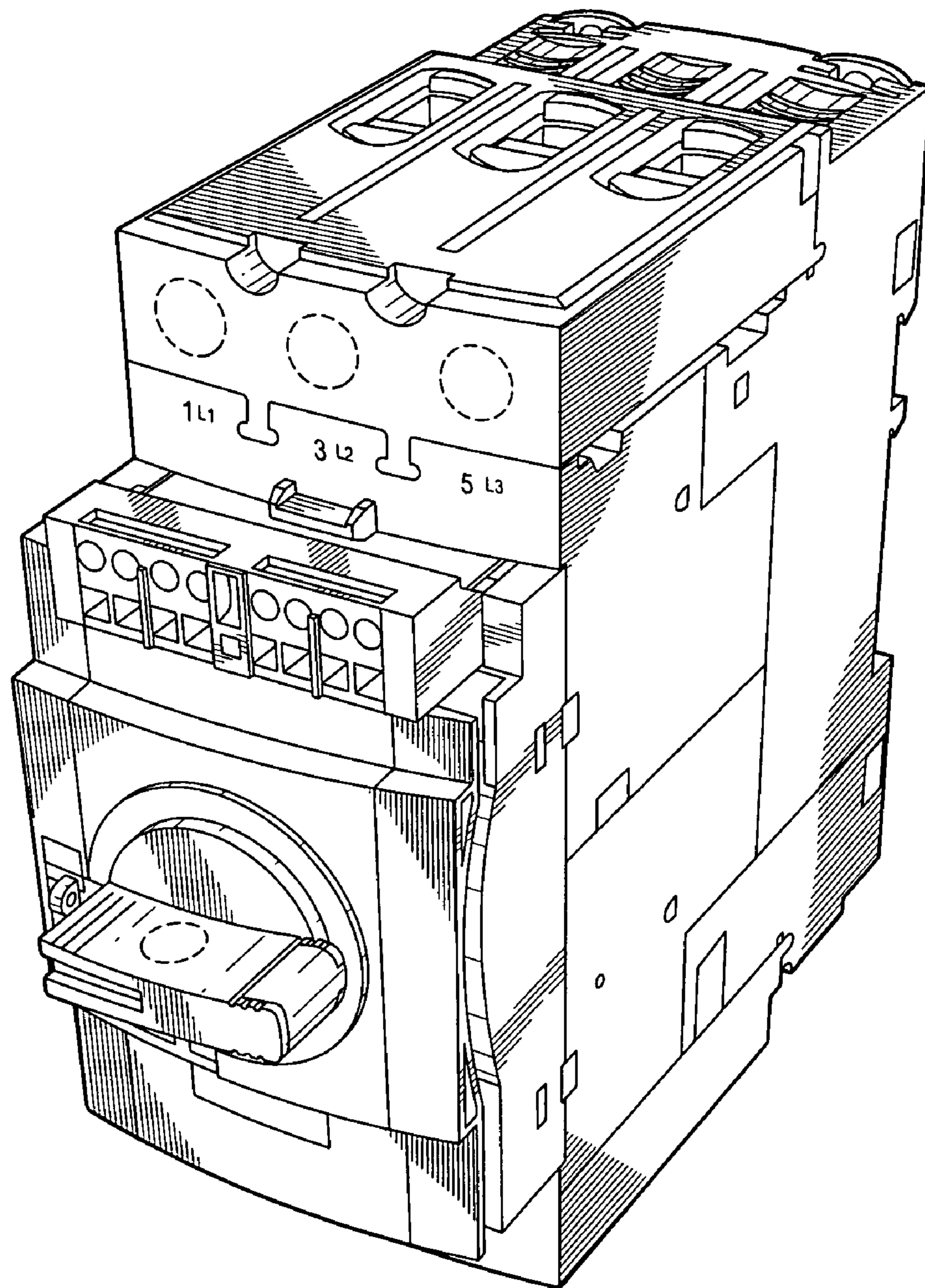


FIG. 8

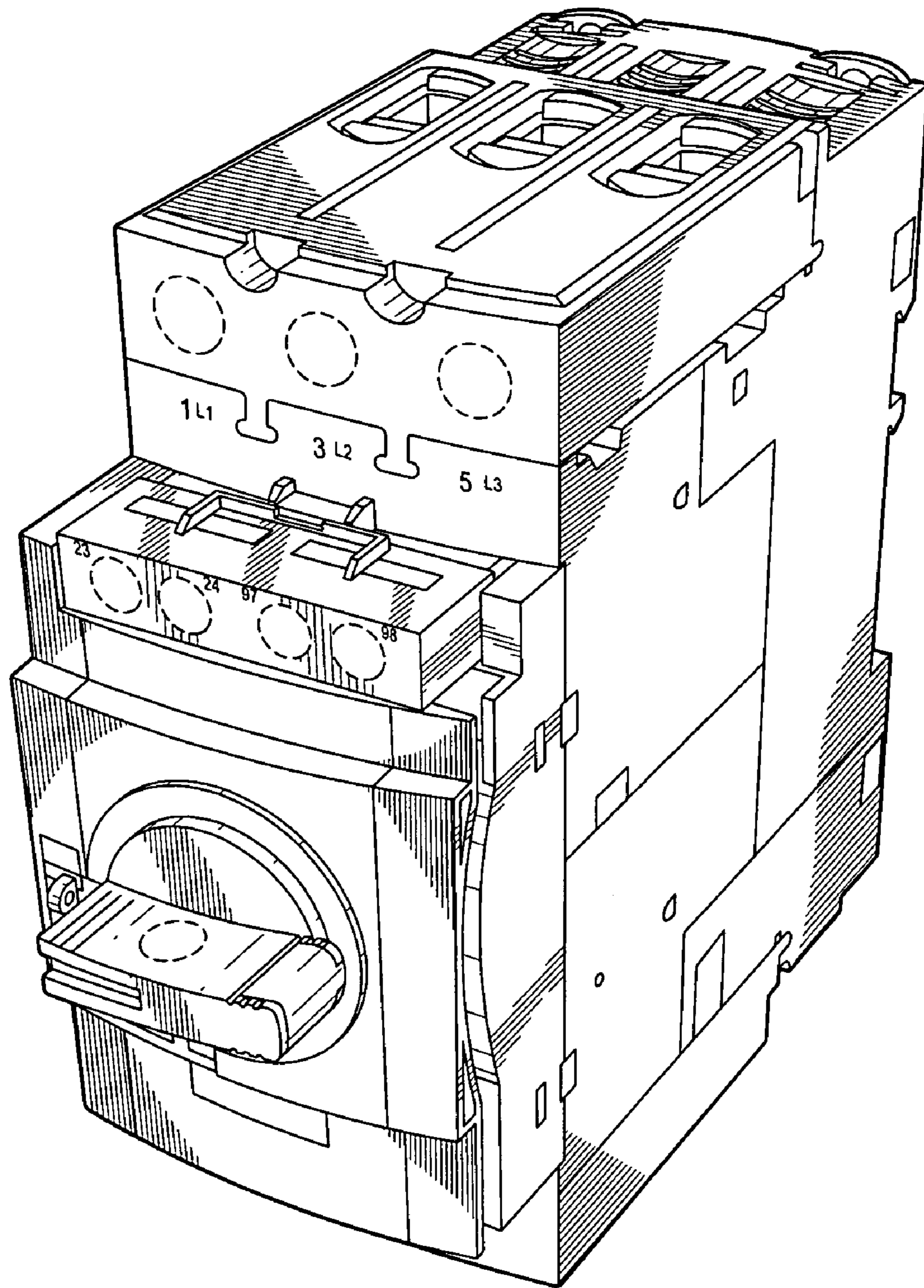


FIG. 9