



US00D590349S

(12) **United States Design Patent**  
**Shiga**

(10) **Patent No.:** **US D590,349 S**

(45) **Date of Patent:** **\*\* Apr. 14, 2009**

(54) **CONNECTOR HOUSING**

(75) Inventor: **Katsumi Shiga**, Chiba (JP)

(73) Assignee: **Tyco Electronics AMP K.K.**,  
Kanagawa-Ken (JP)

(\*\*) Term: **14 Years**

(21) Appl. No.: **29/250,413**

(22) Filed: **Nov. 13, 2006**

(30) **Foreign Application Priority Data**

May 18, 2006	(JP)	.....	2006-012509
May 18, 2006	(JP)	.....	2006-012510
May 18, 2006	(JP)	.....	2006-012512

(51) **LOC (9) Cl.** ..... **13-03**

(52) **U.S. Cl.** ..... **D13/154**

(58) **Field of Classification Search** ..... D13/133,  
D13/146-147, 149, 154, 184; 439/133-135,  
439/149, 157, 266, 476.1, 480, 892, 894  
See application file for complete search history.

(56) **References Cited**

**U.S. PATENT DOCUMENTS**

5,967,809	A *	10/1999	Fink et al.	.....	439/157
6,325,647	B1 *	12/2001	May et al.	.....	439/157
D459,701	S *	7/2002	Larsen	.....	D13/147
D460,046	S *	7/2002	Wood	.....	D13/147
6,558,176	B1 *	5/2003	Martin et al.	.....	439/157
D564,968	S *	3/2008	Sakamoto	.....	D13/147
2003/0082940	A1	5/2003	Yamashita		
2003/0176090	A1	9/2003	Kozono et al.		
2006/0030186	A1	2/2006	Toyoda et al.		

2006/0040534	A1 *	2/2006	Flowers	.....	439/157
2006/0228921	A1	10/2006	Fukui et al.		
2006/0281350	A1 *	12/2006	Yamamoto	.....	439/157
2007/0173091	A1 *	7/2007	Taguchi et al.	.....	439/157

\* cited by examiner

*Primary Examiner*—Daniel D Bui

(74) *Attorney, Agent, or Firm*—Barley Snyder LLC

(57) **CLAIM**

The ornamental design for a connector housing, as shown and described.

**DESCRIPTION**

FIG. 1 is a front elevation view of a connector housing, showing my new design;

FIG. 2 is a top plan view thereof;

FIG. 3 is a bottom plan view thereof;

FIG. 4 is a rear elevation view thereof;

FIG. 5 is a right side elevation view thereof;

FIG. 6 is a left side elevation view thereof;

FIG. 7 is a top, front and right side perspective view thereof;

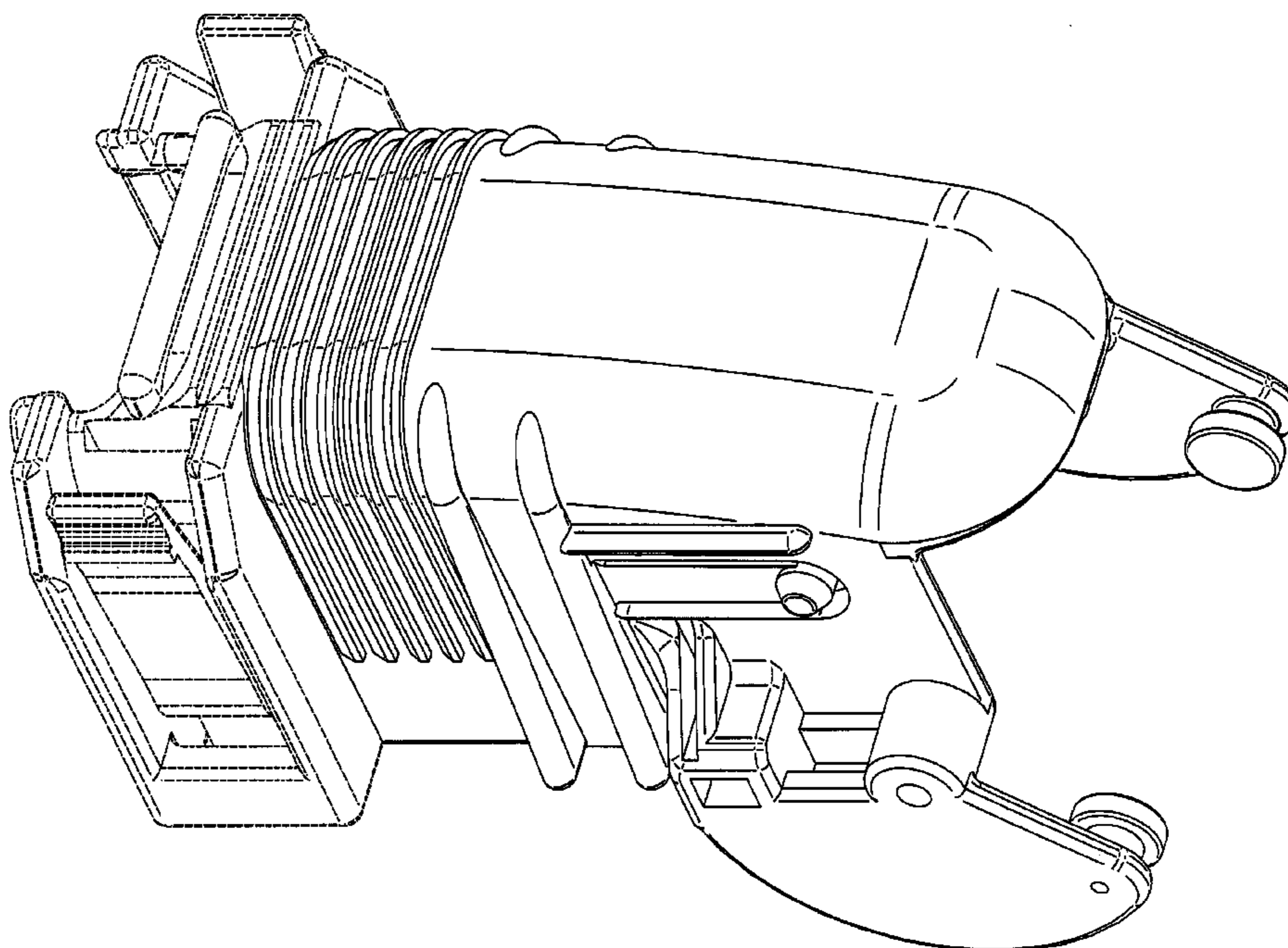
FIG. 8 is a bottom, rear and left side perspective view thereof;

FIG. 9 is a front elevation view showing the connector housing in use; and,

FIG. 10 is a front elevation view showing the connector in use in a state having the lever in an open position.

The broken line portion of the figure drawings is included to show unclaimed subject matter only and forms no part of the claimed design.

**1 Claim, 10 Drawing Sheets**



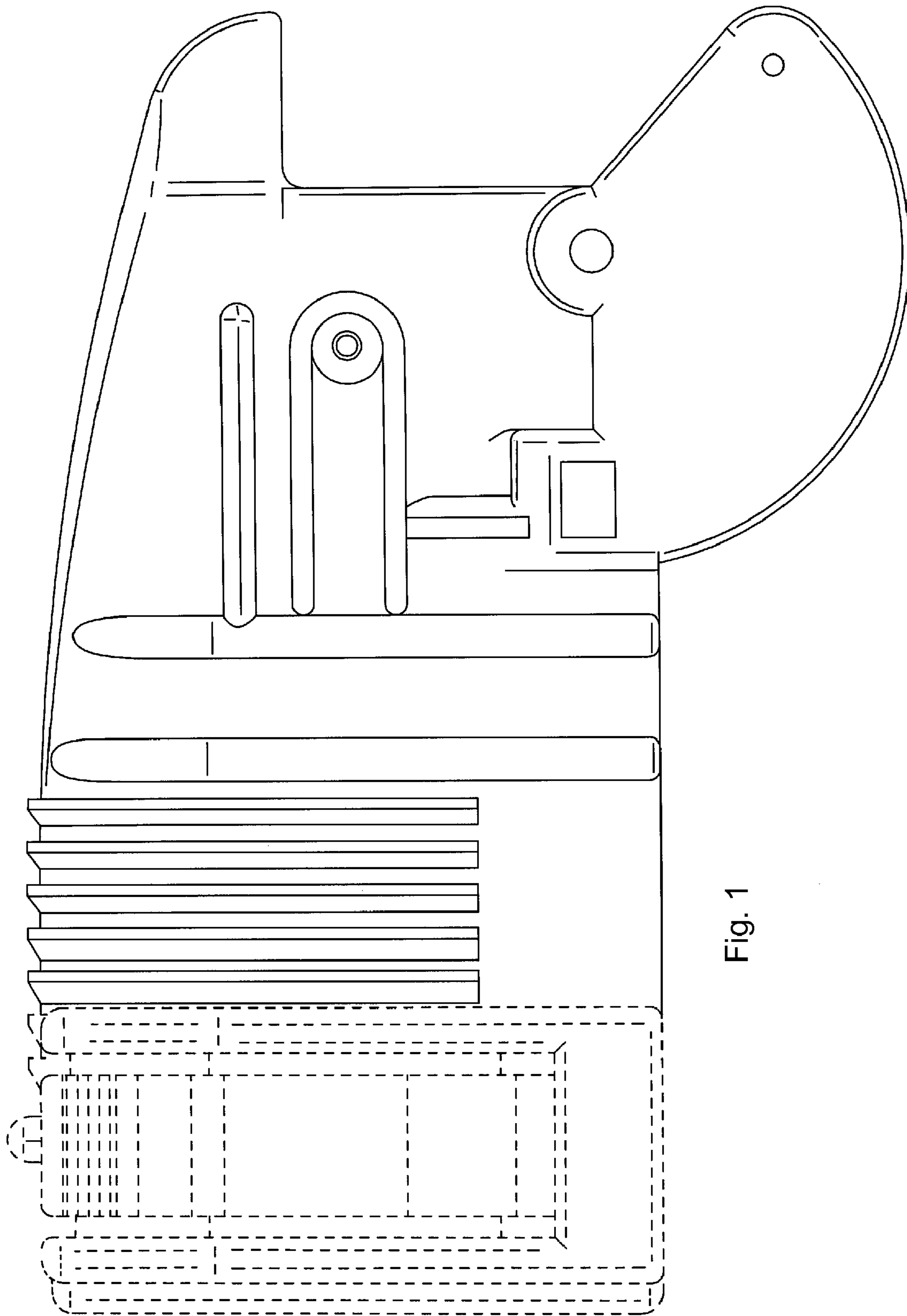


Fig. 1

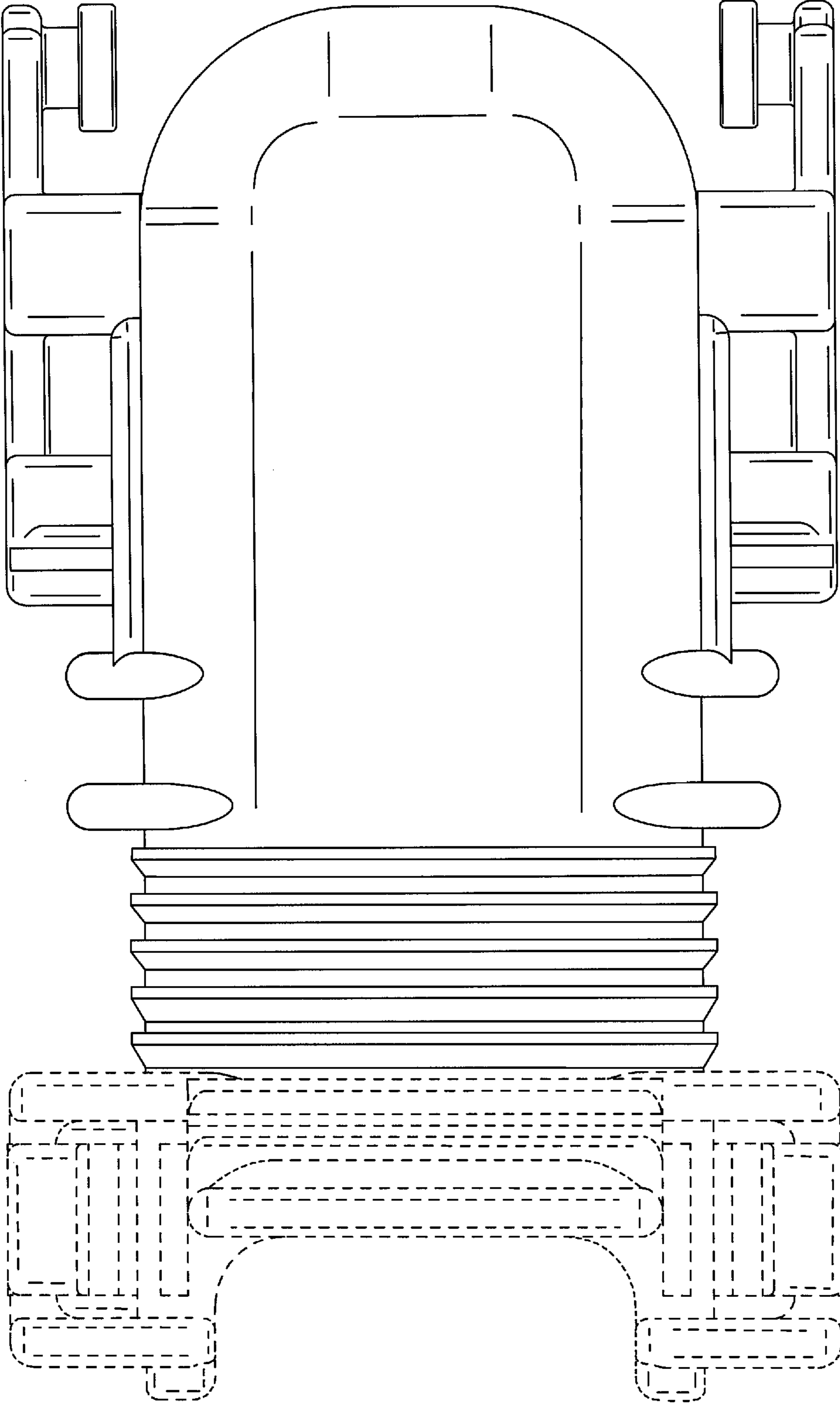


Fig. 2

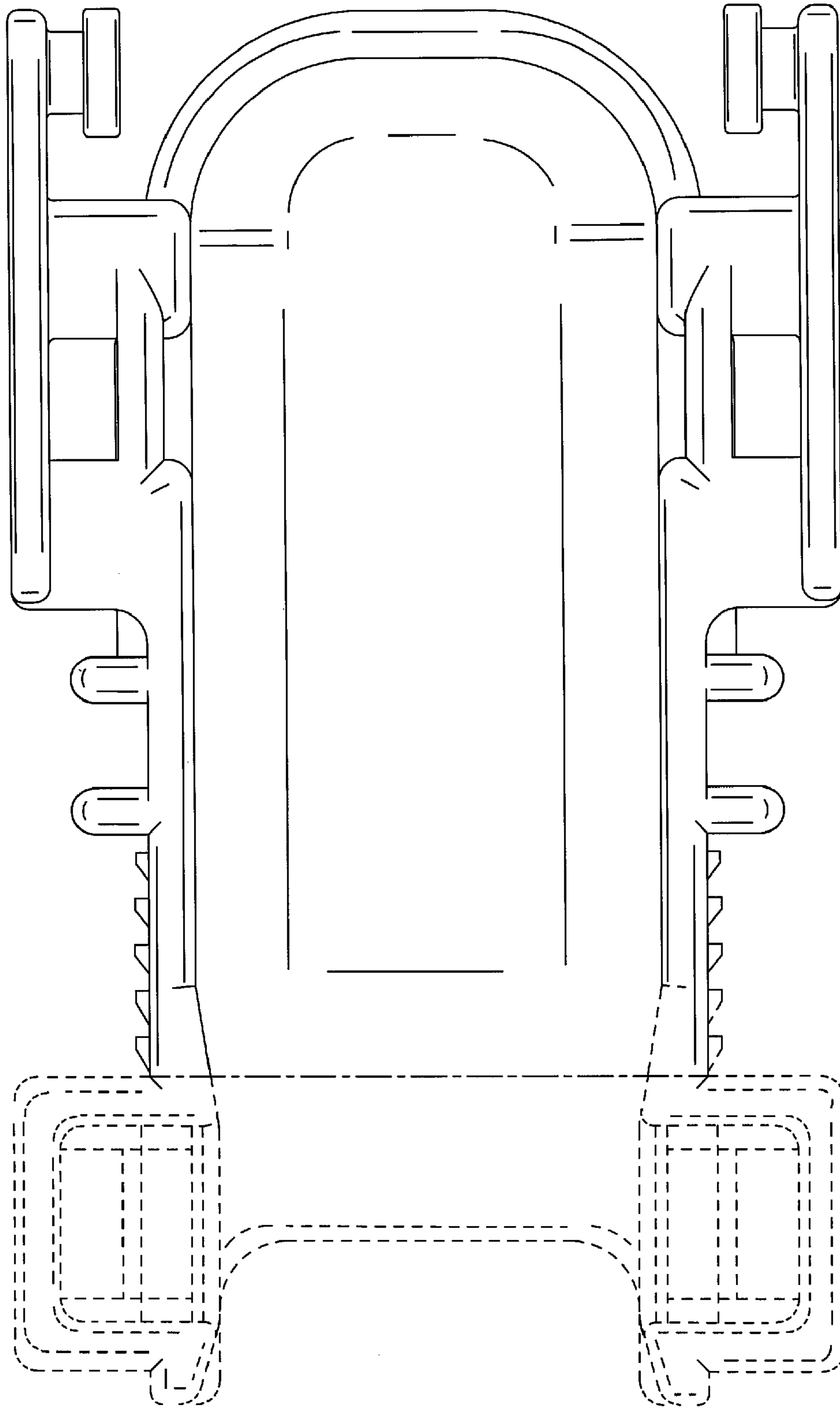


Fig. 3

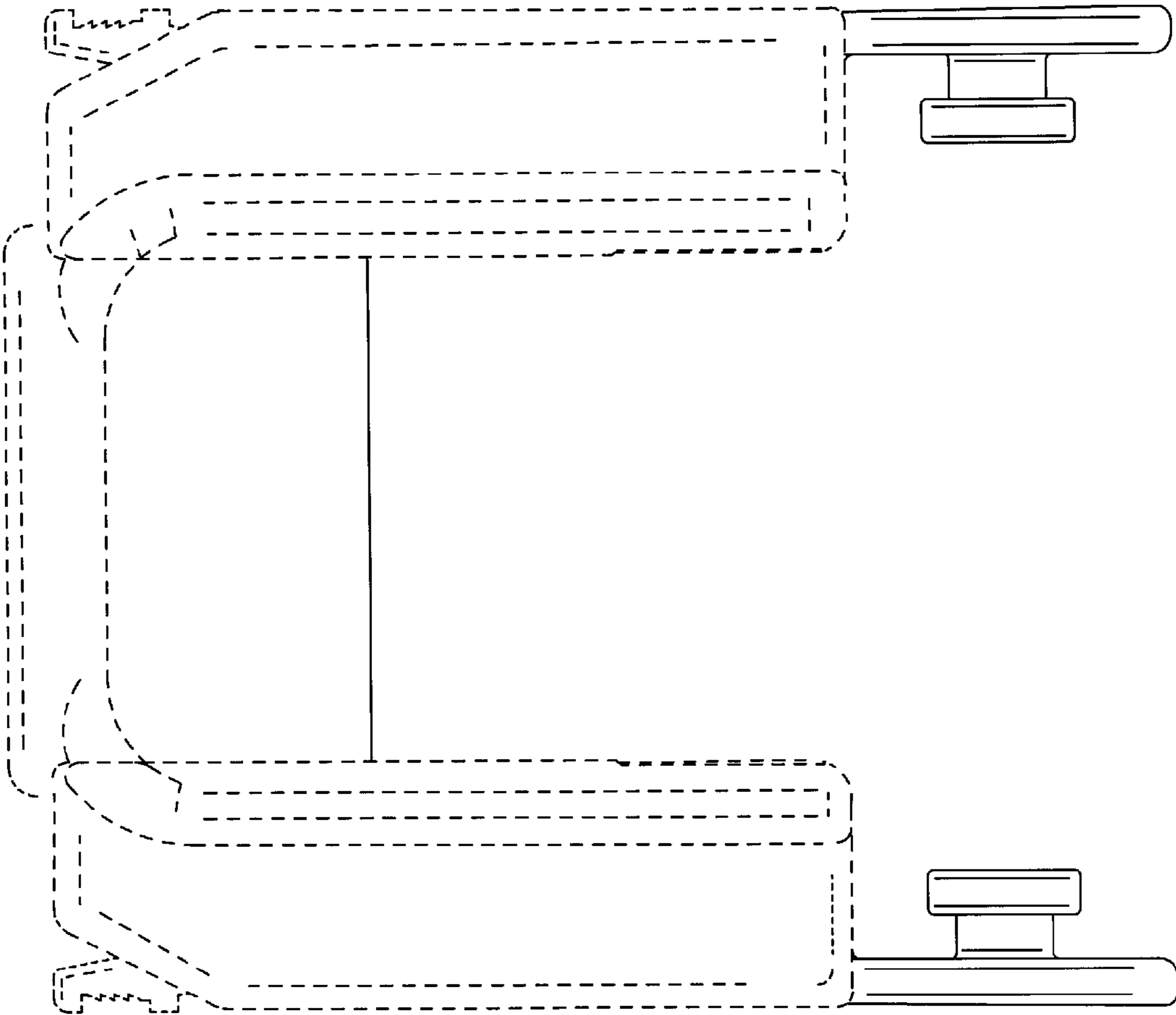


Fig. 4

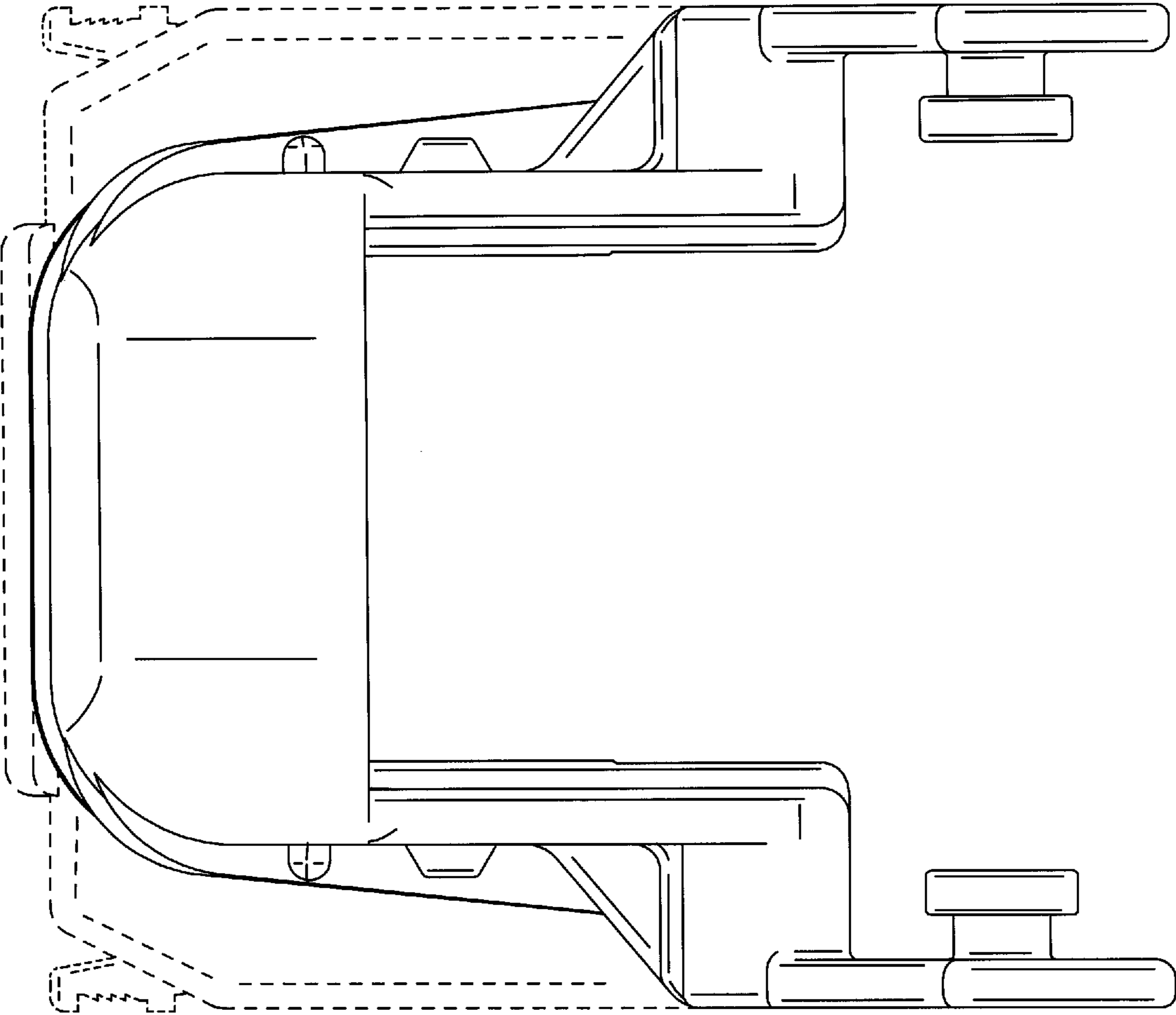


Fig. 5

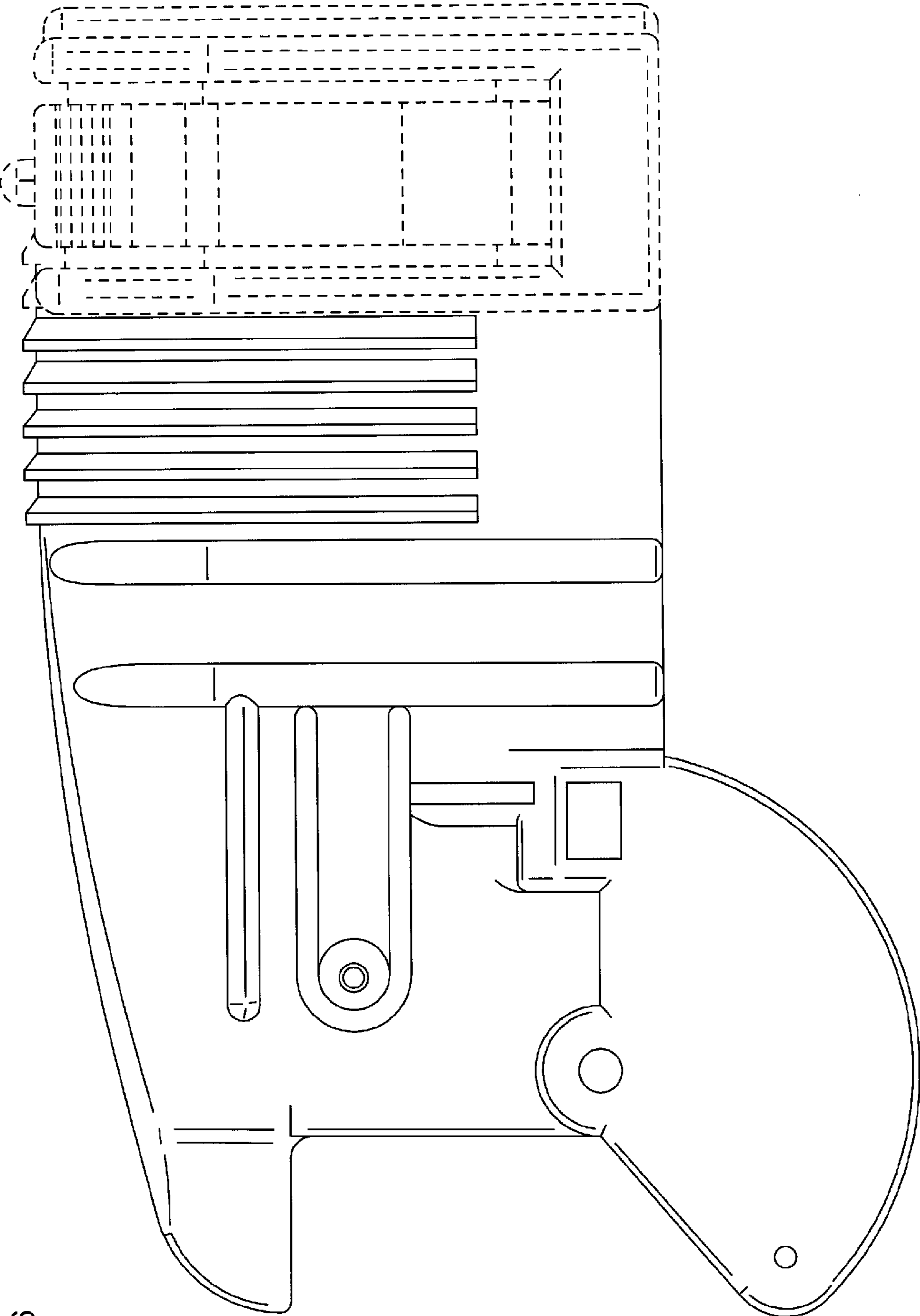


Fig. 6

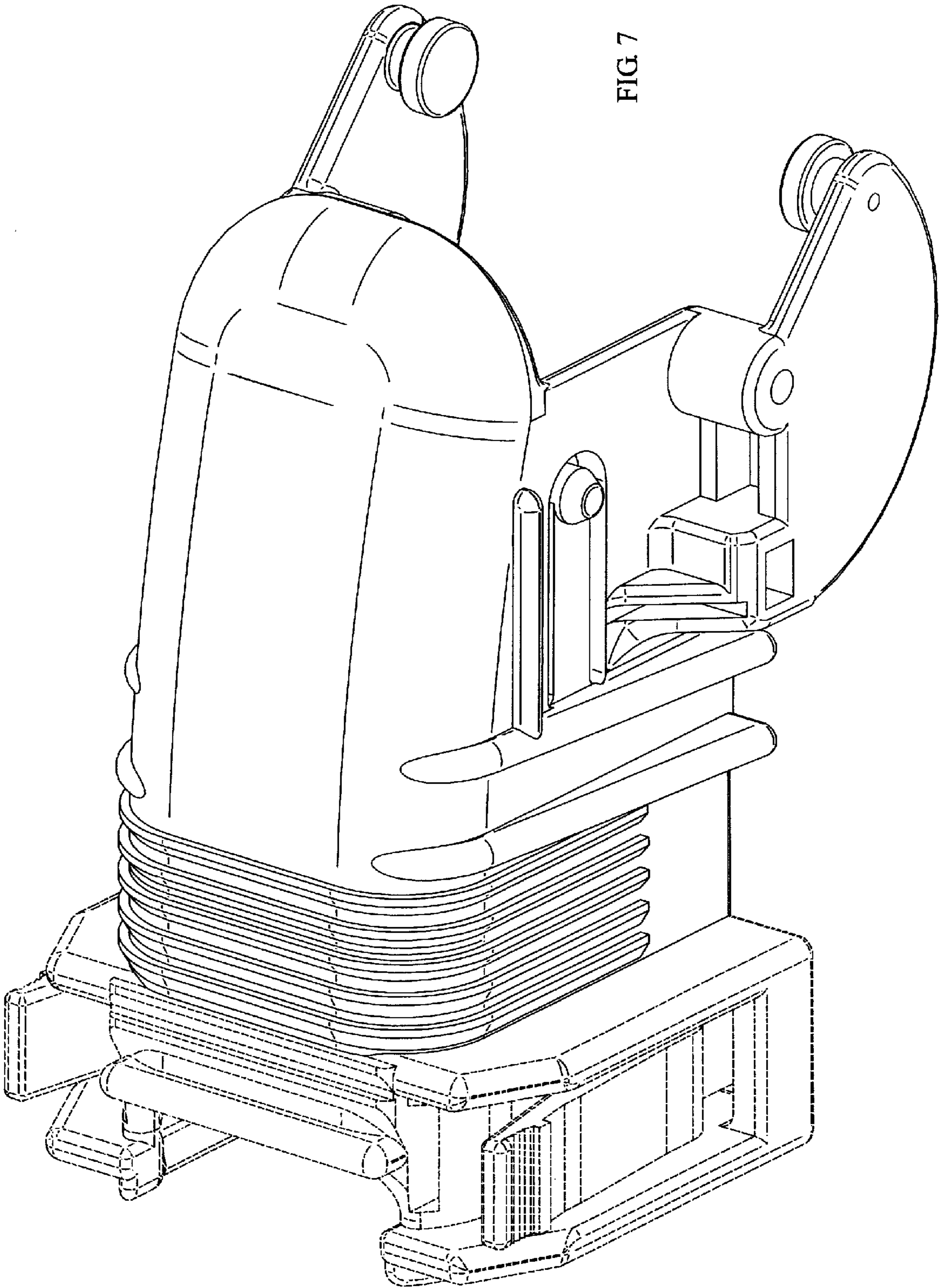


FIG 7



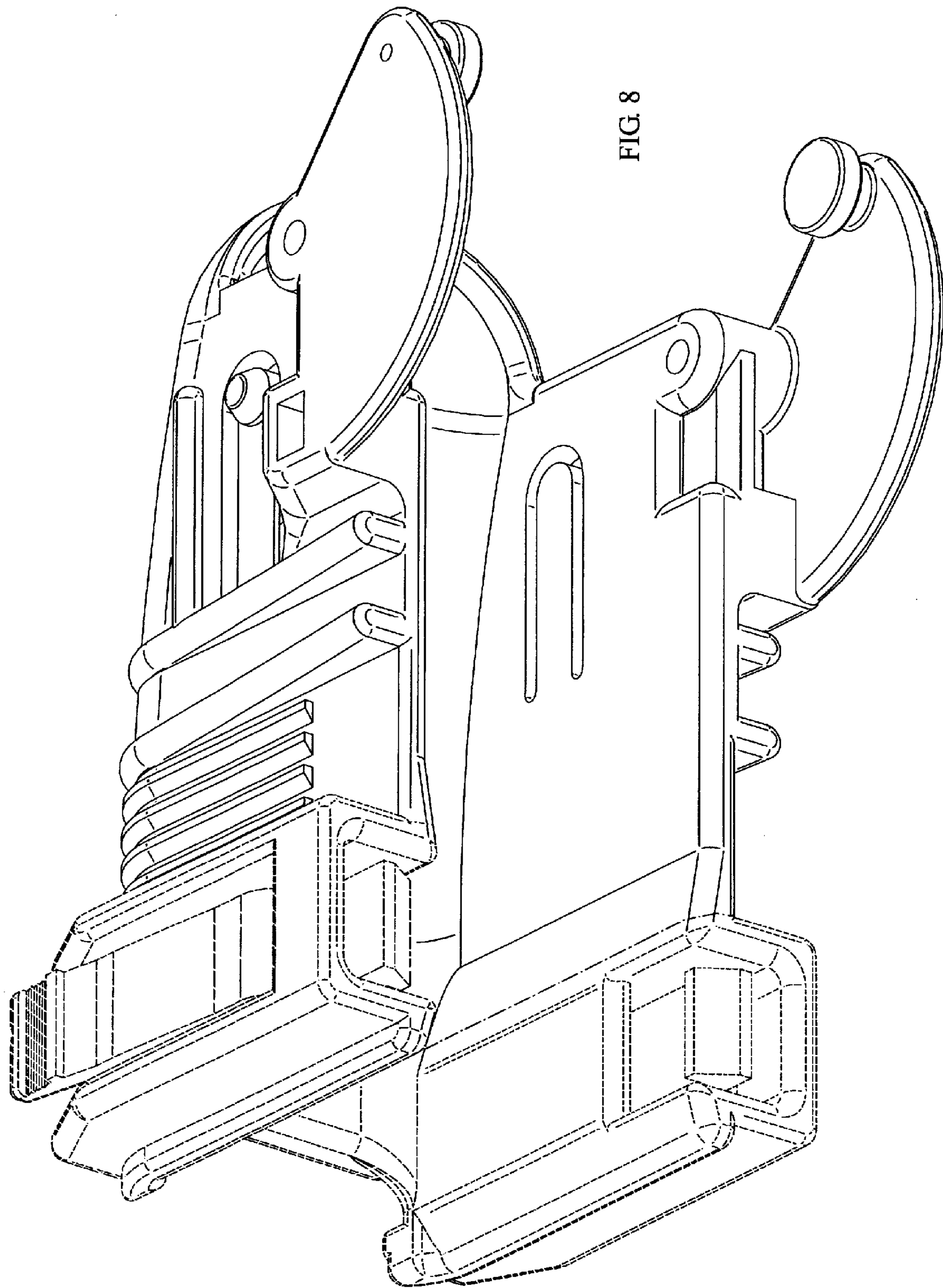


FIG. 8

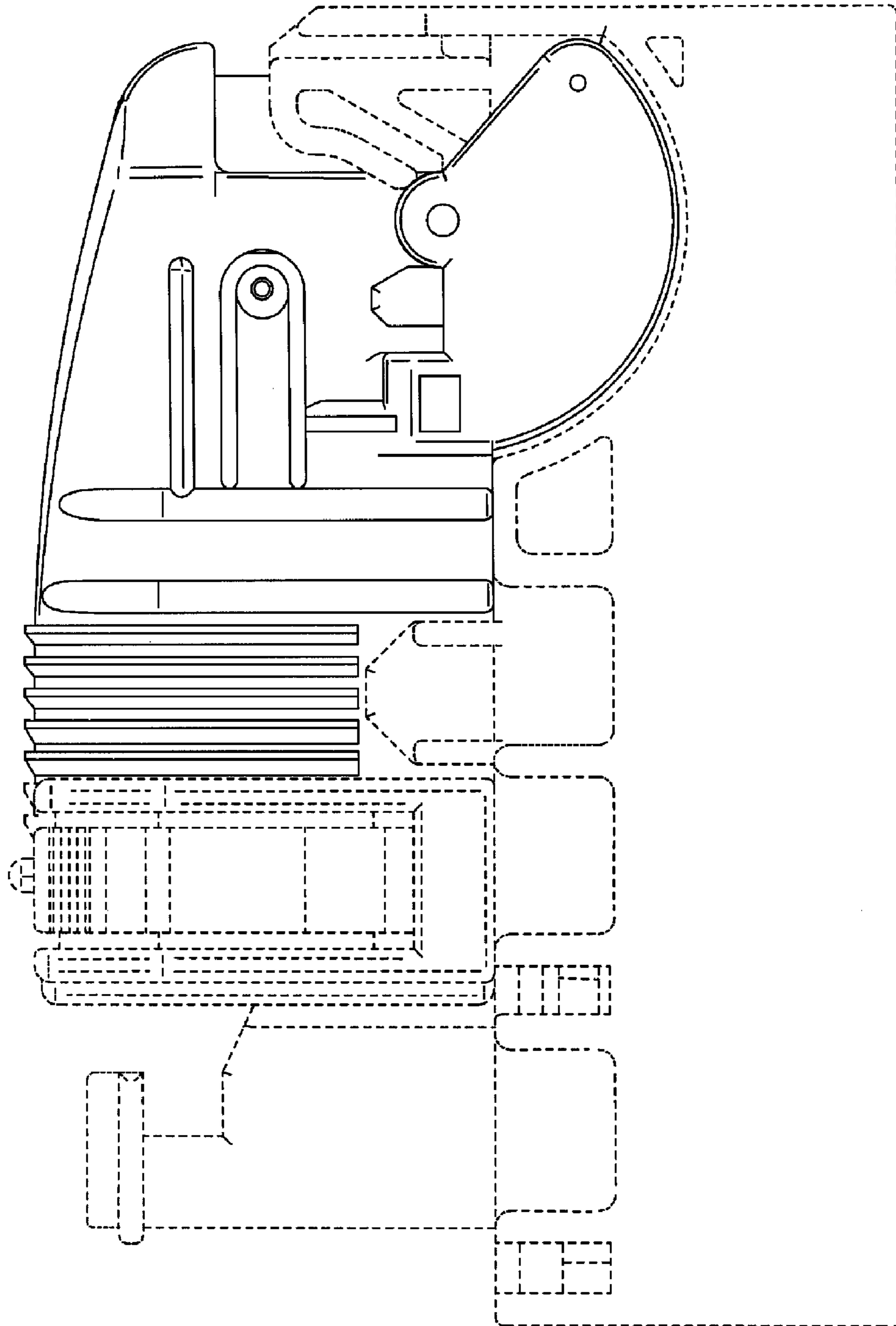


Fig. 9

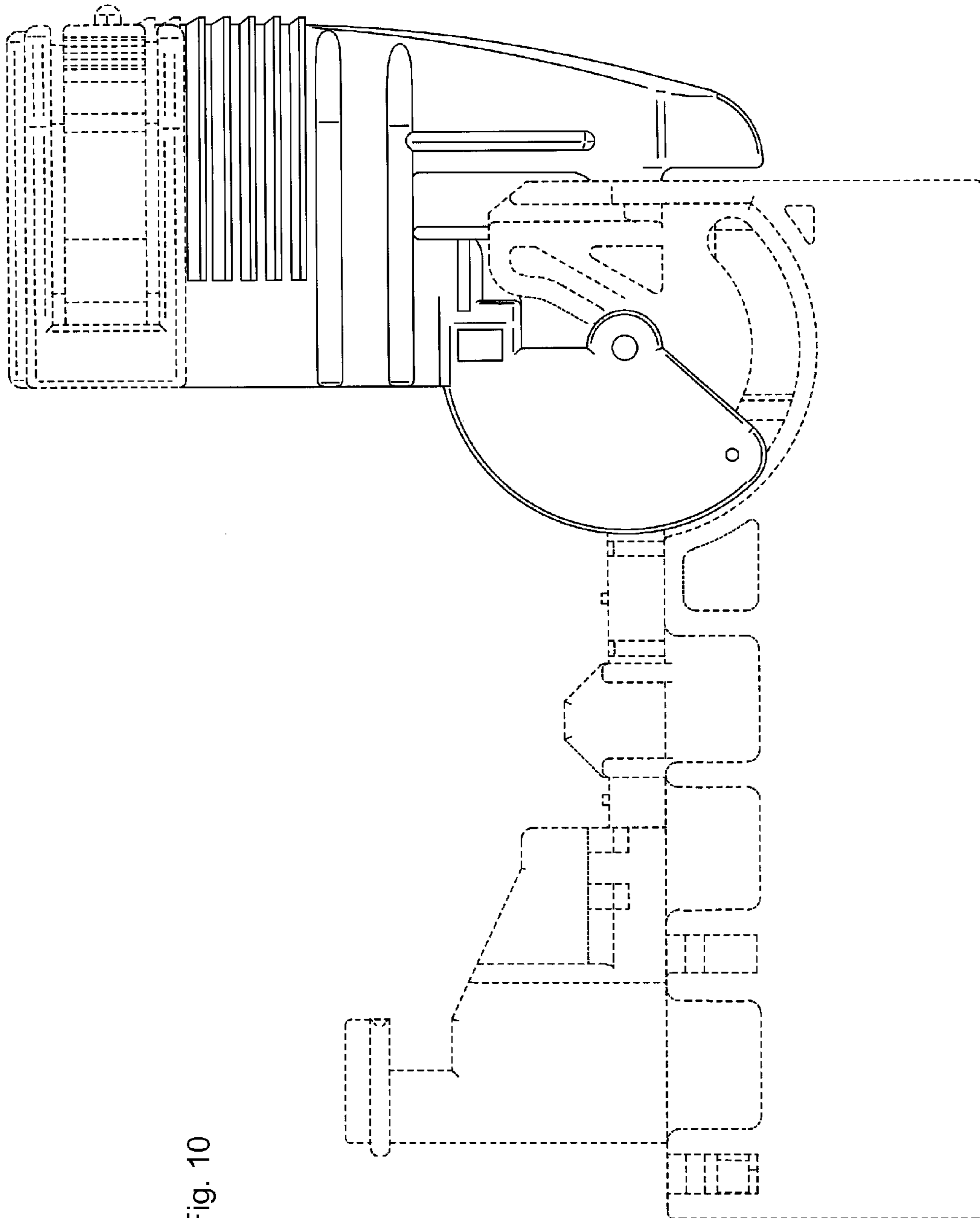


Fig. 10