



US00D590346S

(12) **United States Design Patent**  
**Wu et al.**

(10) **Patent No.:** **US D590,346 S**  
(45) **Date of Patent:** **\*\* Apr. 14, 2009**

(54) **CABLE CONNECTOR ASSEMBLY**

(75) Inventors: **Xiao-Gang Wu**, KunShan (CN);  
**Ping-Sheng Su**, TuCheng (TW)

(73) Assignee: **Hon Hai Precision Ind. Co., Ltd.**,  
Taipei Hsien (TW)

(\*\*) Term: **14 Years**

(21) Appl. No.: **29/312,090**

(22) Filed: **Sep. 29, 2008**

(30) **Foreign Application Priority Data**

Jun. 11, 2008 (CN) ..... 2008 3 0300819

(51) **LOC (9) Cl.** ..... **13-03**

(52) **U.S. Cl.** ..... **D13/147**

(58) **Field of Classification Search** ..... D13/133,  
D13/146-147, 154, 184; 439/352, 359, 362,  
439/607-610, 677, 680-681

See application file for complete search history.

(56) **References Cited**

**U.S. PATENT DOCUMENTS**

D396,689 S \* 8/1998 Karten et al. .... D13/147

D515,510 S \* 2/2006 Huang ..... D13/147  
D519,465 S \* 4/2006 Sirichai et al. .... D13/156  
D540,259 S \* 4/2007 Huang et al. .... D13/147

\* cited by examiner

*Primary Examiner*—Daniel D Bui

(74) *Attorney, Agent, or Firm*—Wei Te Chung

(57) **CLAIM**

The ornamental design for a cable connector assembly, as shown.

**DESCRIPTION**

FIG. 1 is a perspective view of a cable connector assembly showing our new design;

FIG. 2 is a front elevational view thereof;

FIG. 3 is a rear elevational view thereof;

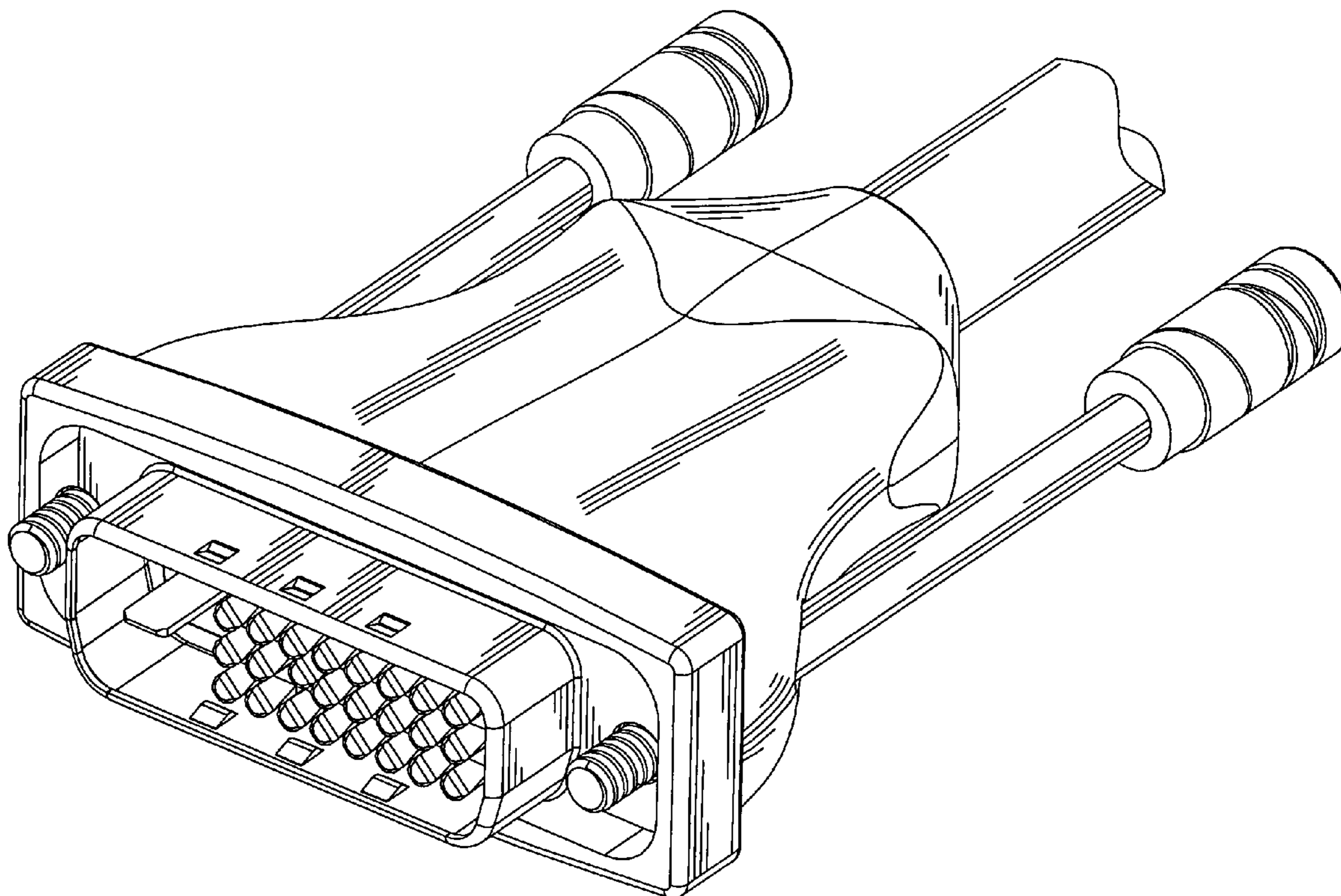
FIG. 4 is a left side elevational view thereof;

FIG. 5 is a right side elevational view thereof;

FIG. 6 is a top plan view thereof; and,

FIG. 7 is a bottom plan view thereof;

**1 Claim, 7 Drawing Sheets**



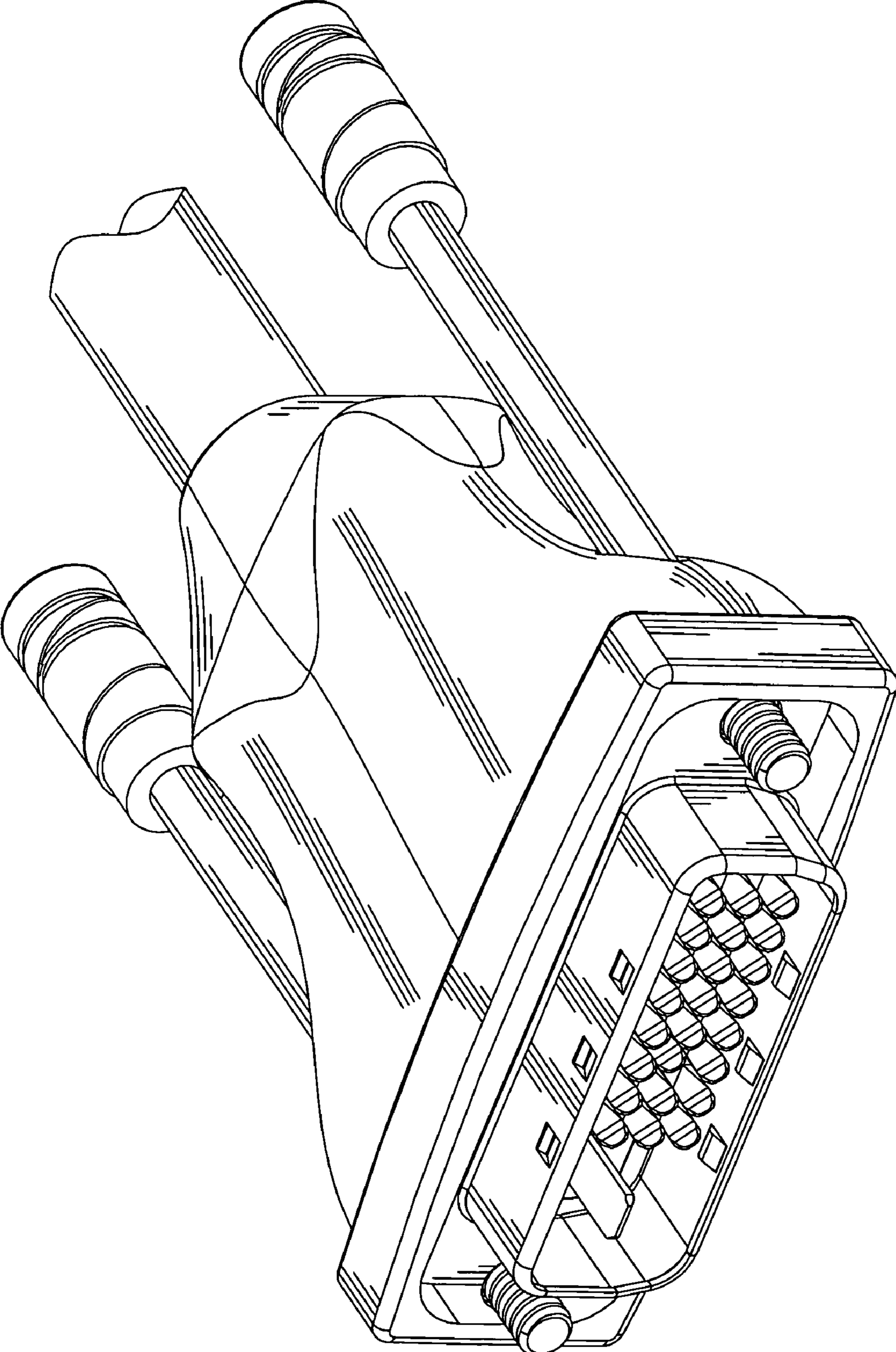


FIG. 1

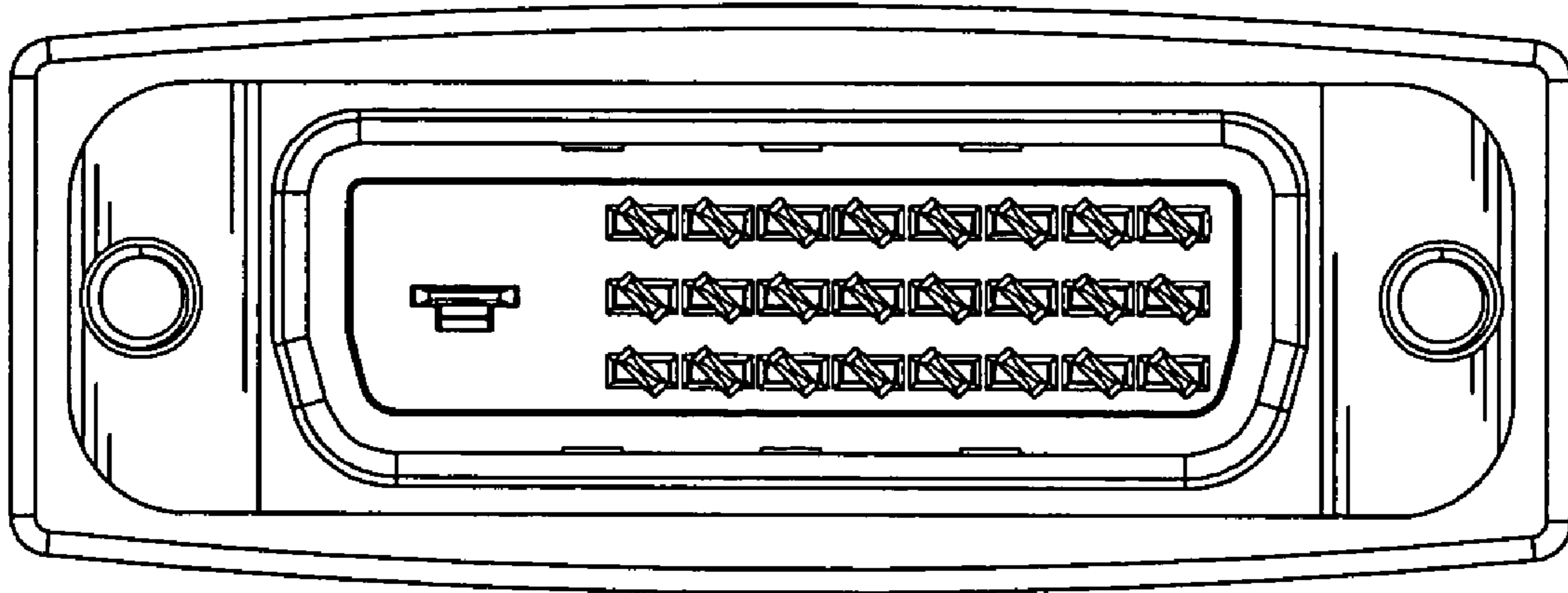


FIG. 2

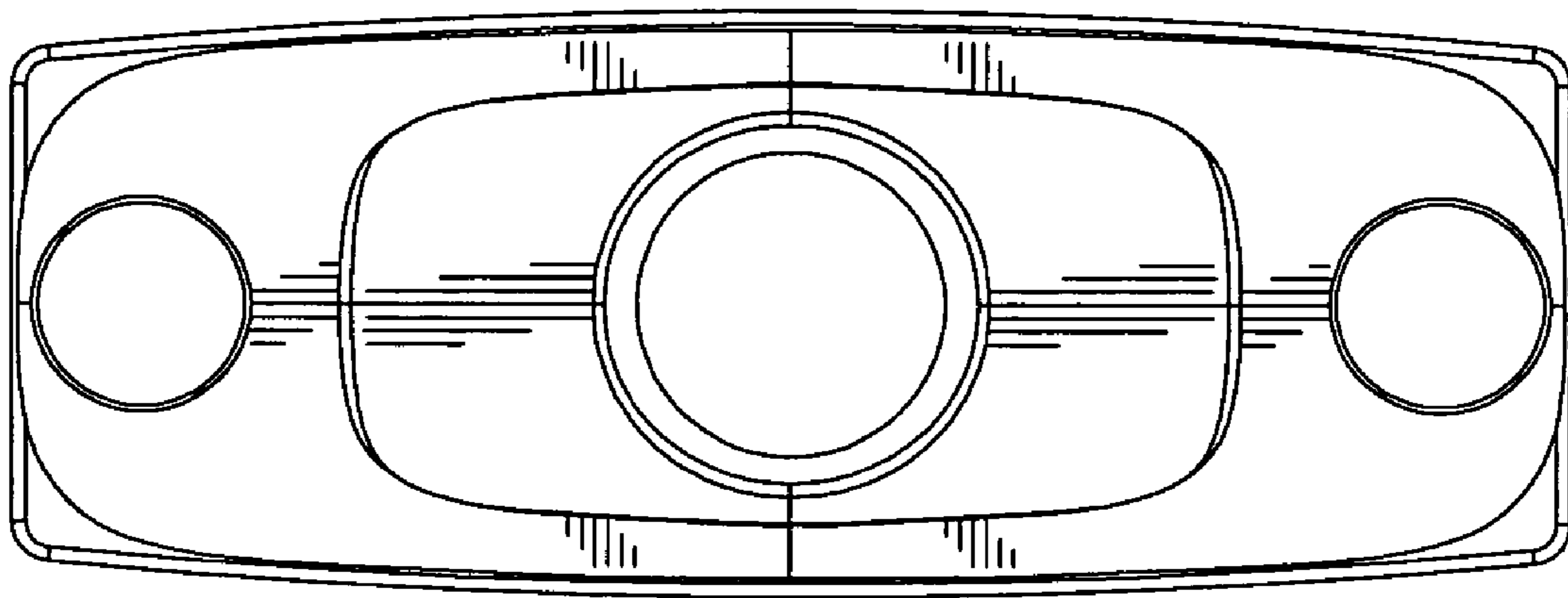


FIG. 3

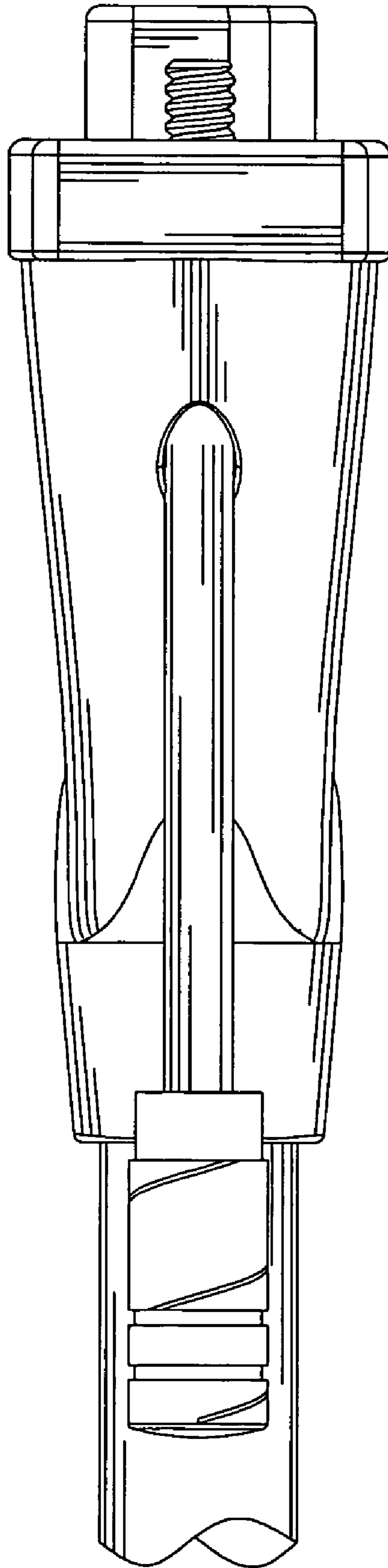


FIG. 4

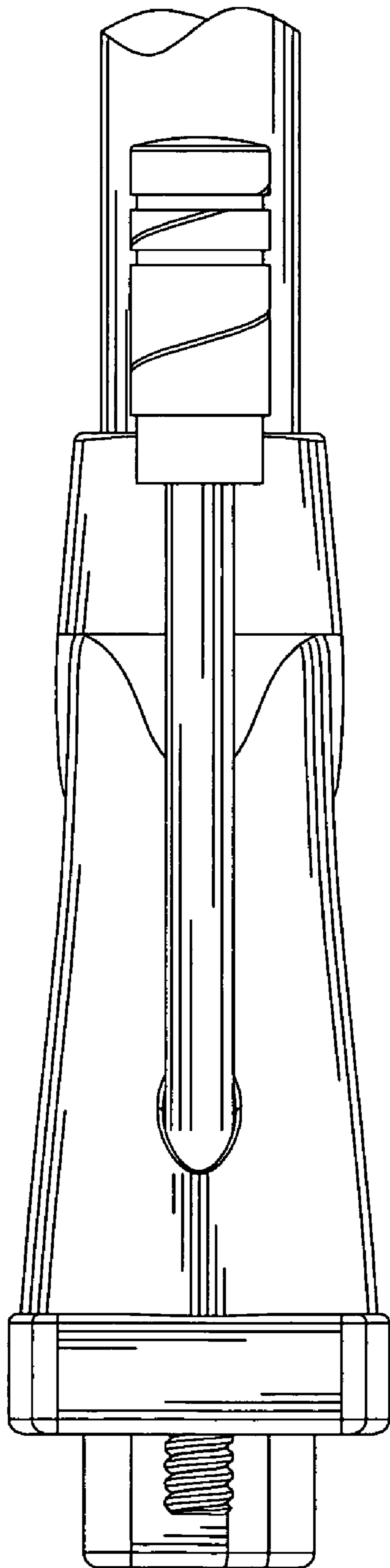


FIG. 5

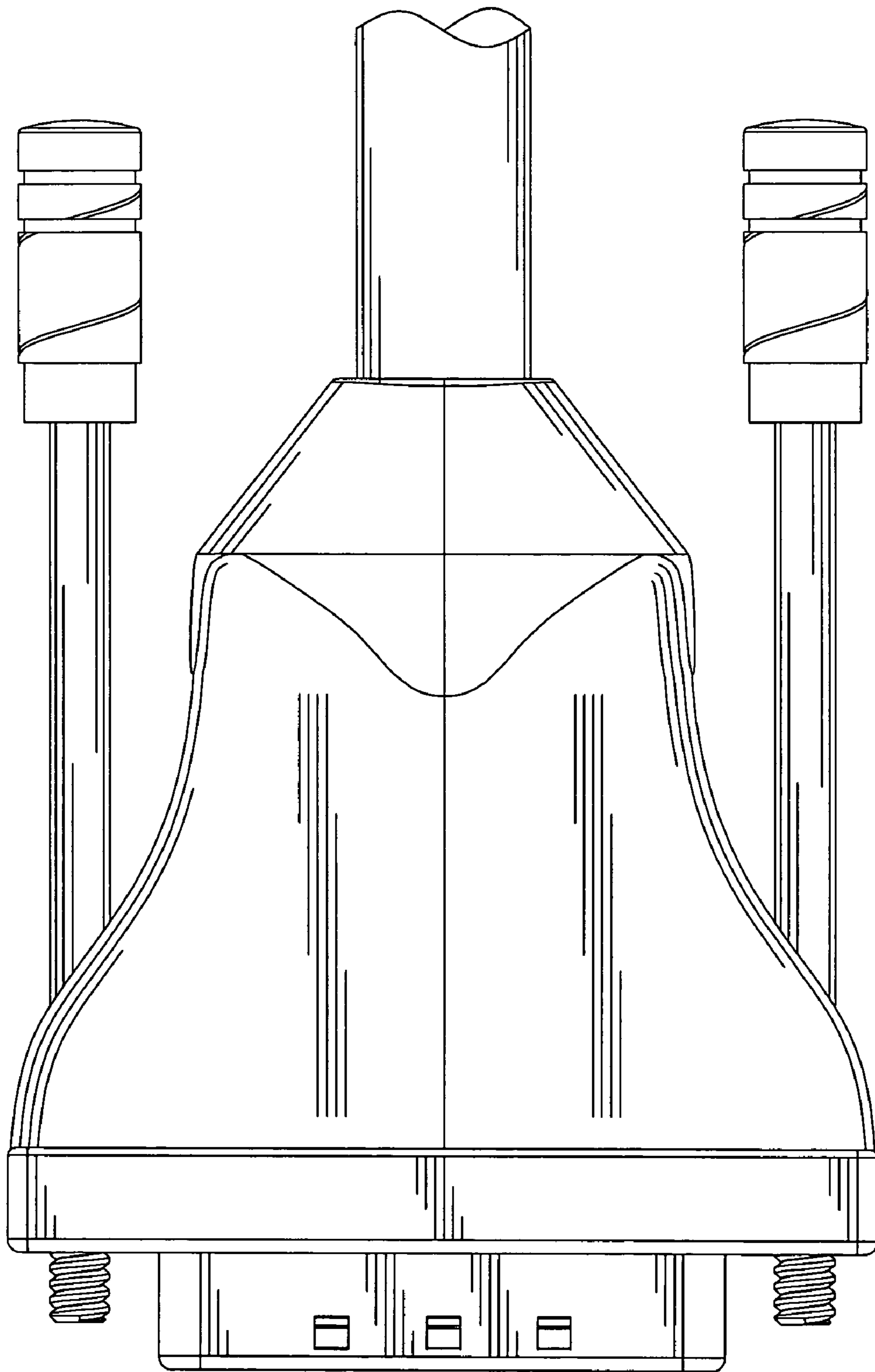


FIG. 6

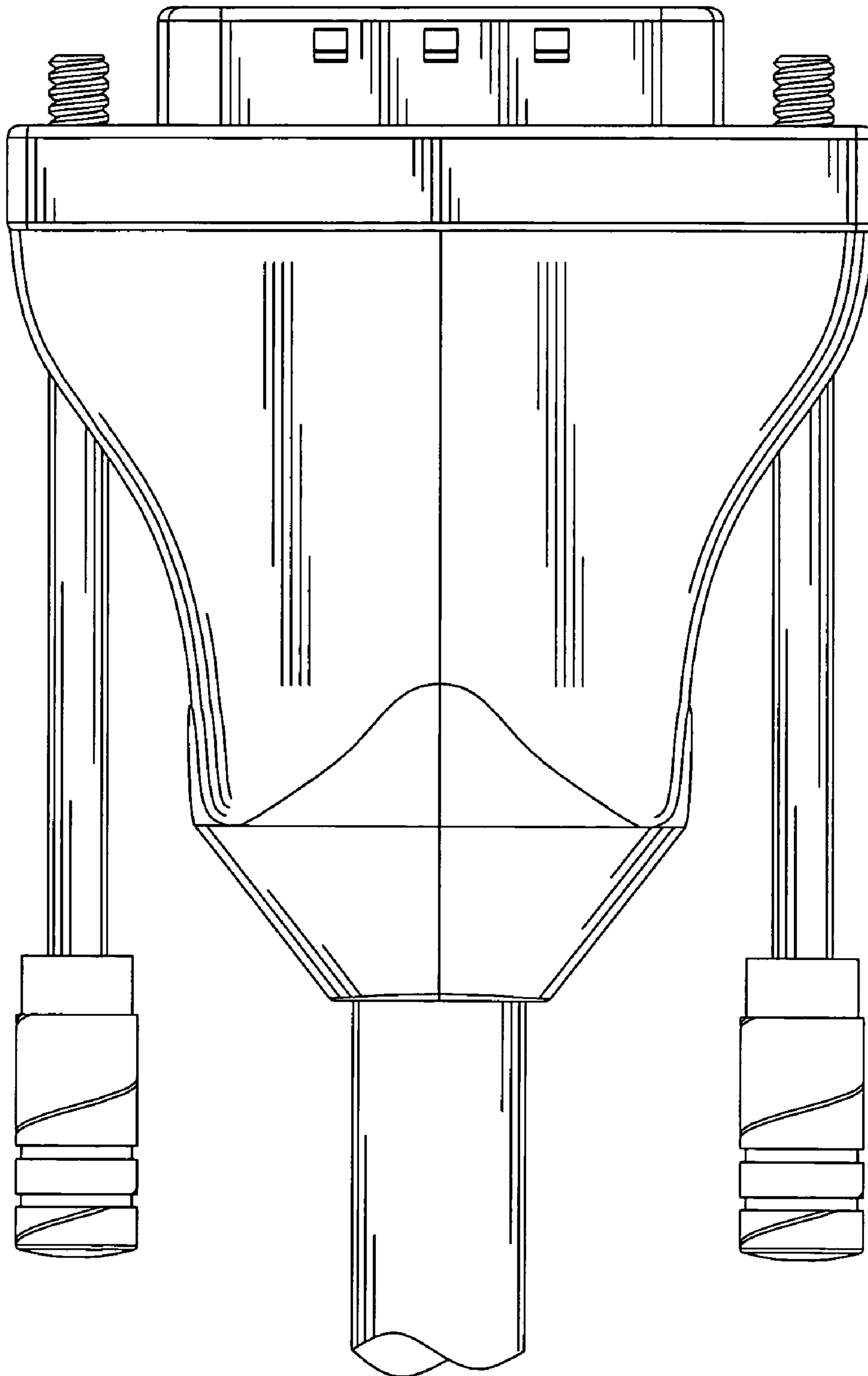


FIG. 7