



US00D590345S

(12) **United States Design Patent**
Chen et al.

(10) **Patent No.:** **US D590,345 S**
(45) **Date of Patent:** **** Apr. 14, 2009**

(54) **RECEPTACLE CONNECTOR**

(75) Inventors: **Chung Yu Chen**, Tu-Cheng (TW); **Yung Chi Peng**, Tu-Cheng (TW)

(73) Assignee: **Cheng Uei Precision Industry Co., Ltd.**, Taipei Hsien (TW)

(**) Term: **14 Years**

(21) Appl. No.: **29/309,382**

(22) Filed: **Aug. 6, 2008**

(51) **LOC (9) Cl.** **13-03**

(52) **U.S. Cl.** **D13/147**

(58) **Field of Classification Search** D13/146-147,
D13/154, 184; D14/432-433, 435, 438;
439/64, 79, 108, 260, 159-160, 325-326,
439/329, 394-395, 607-610, 629-630, 660
See application file for complete search history.

(56) **References Cited**

U.S. PATENT DOCUMENTS

D528,987 S * 9/2006 Peng D13/147
D539,225 S * 3/2007 Kishi et al. D13/147
D544,447 S * 6/2007 Peng et al. D13/147

D561,696 S * 2/2008 Chen et al. D13/147
D561,697 S * 2/2008 Chen et al. D13/147
D562,244 S * 2/2008 Peng D13/147
D580,366 S * 11/2008 Peng D13/147

* cited by examiner

Primary Examiner—Daniel D Bui

(74) *Attorney, Agent, or Firm*—Rosenberg, Klein & Lee

(57) **CLAIM**

The ornamental design for a receptacle connector, as shown and described.

DESCRIPTION

FIG. 1 is a perspective view of a receptacle connector showing our new design;

FIG. 2 is a front elevational view thereof;

FIG. 3 is a rear elevational view thereof;

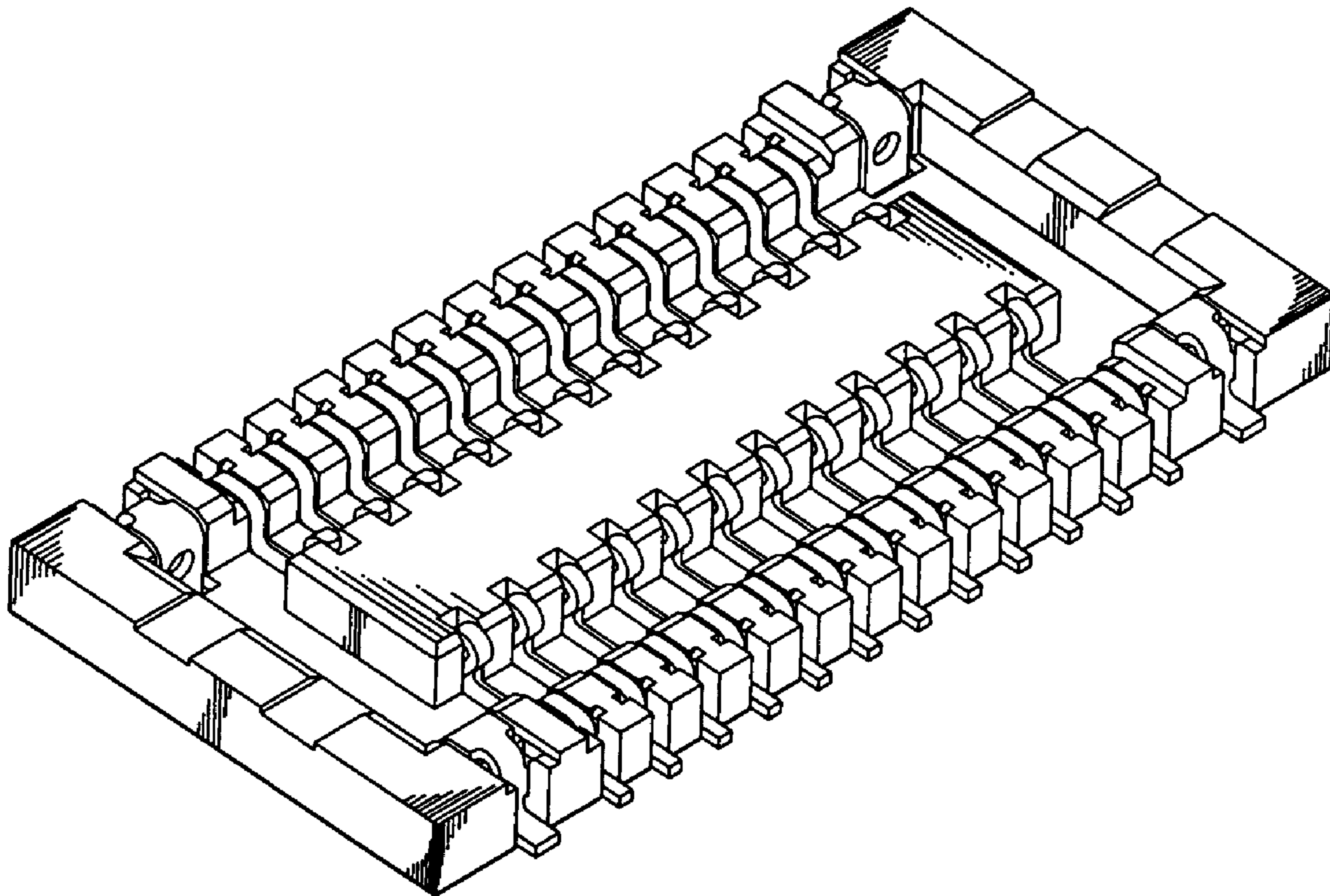
FIG. 4 is a left side elevational view thereof;

FIG. 5 is a right side elevational view thereof;

FIG. 6 is a top plan view thereof; and,

FIG. 7 is a bottom plan view thereof.

1 Claim, 7 Drawing Sheets



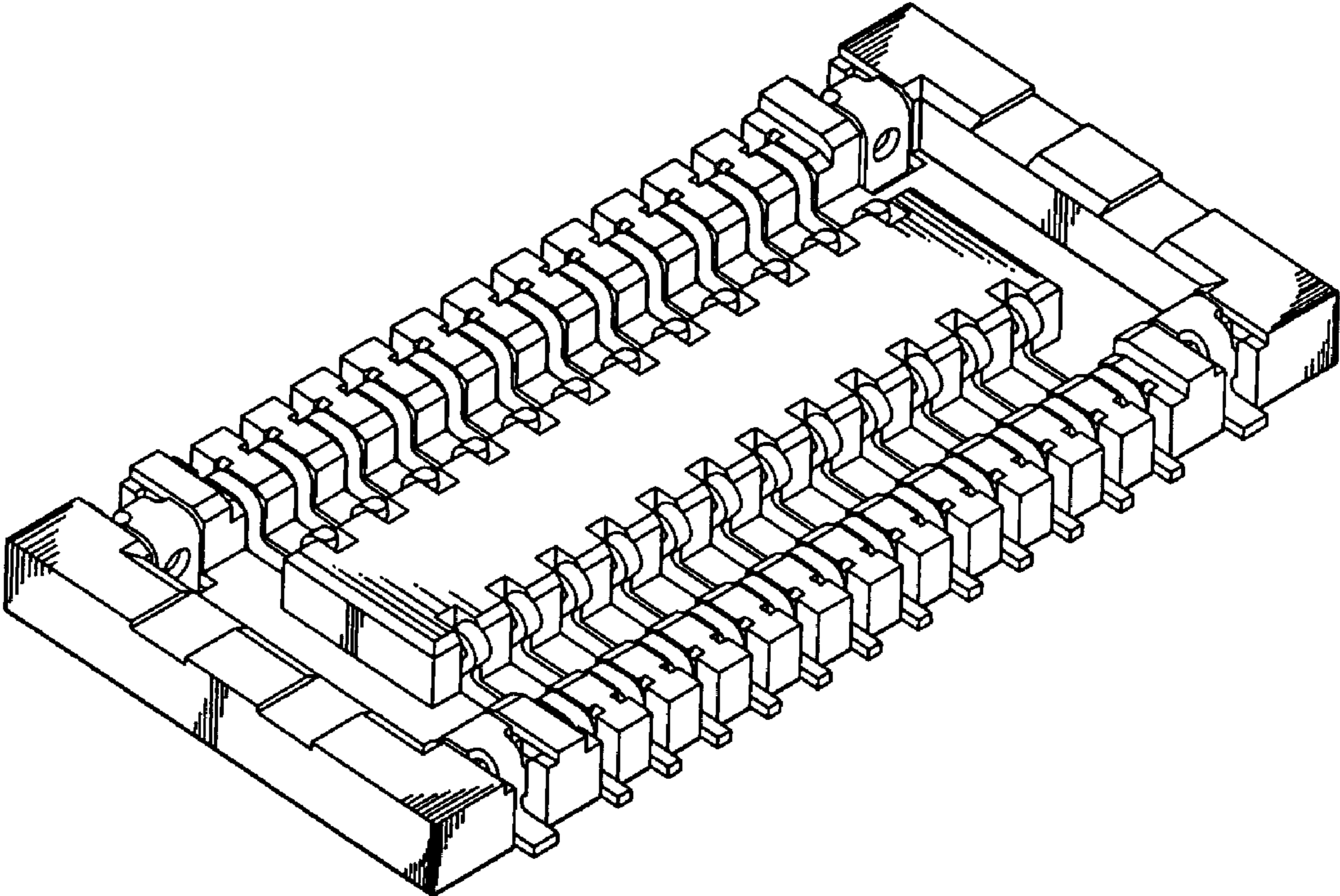


FIG. 1

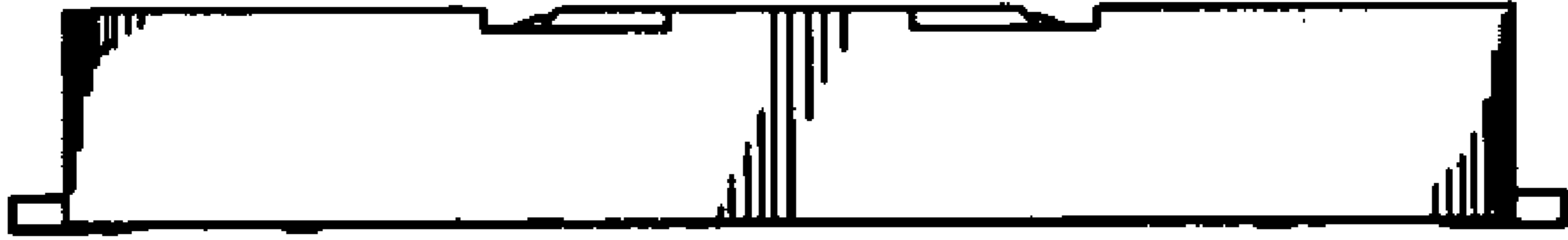


FIG. 2

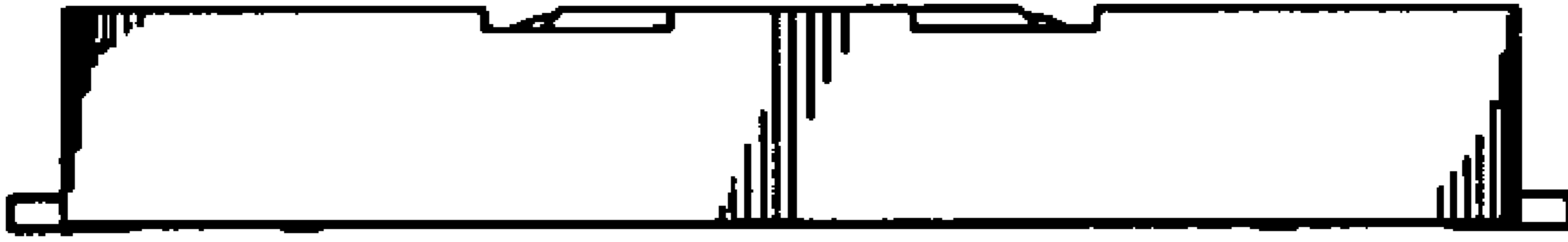


FIG. 3



FIG. 4



FIG. 5

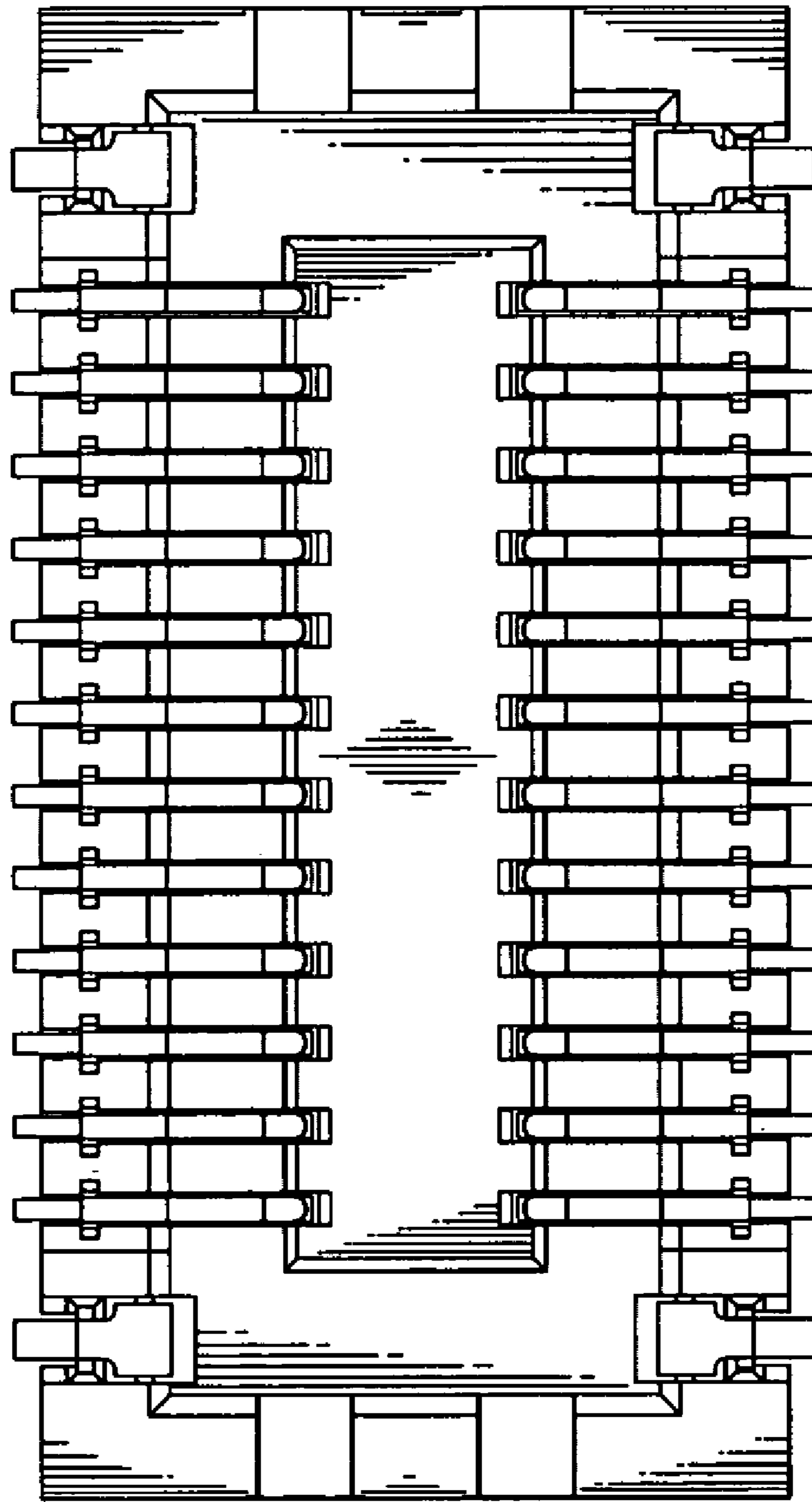


FIG. 6

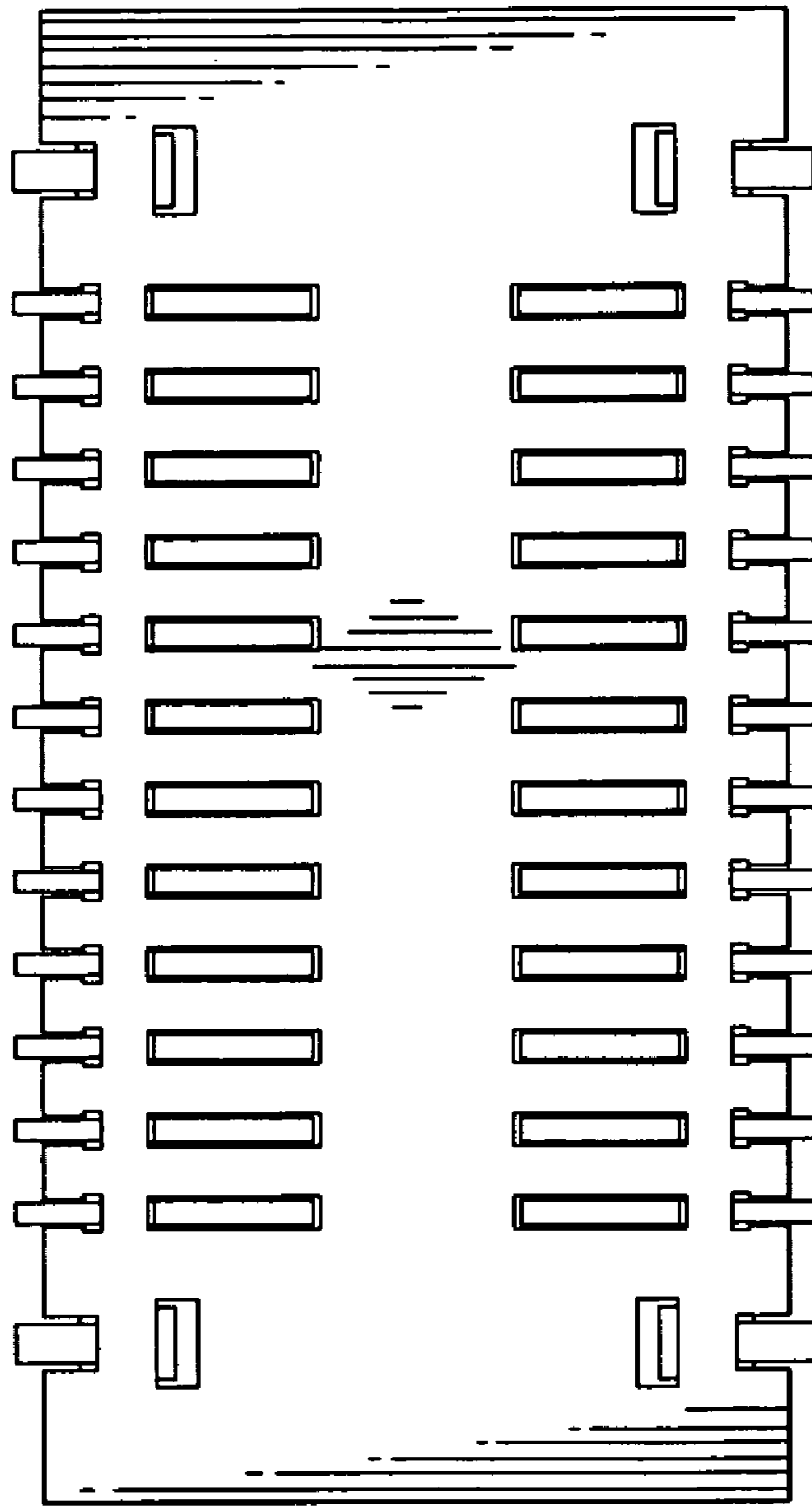


FIG. 7