

US00D590344S

(12) **United States Design Patent**
Suematsu et al.

(10) **Patent No.:** **US D590,344 S**
(45) **Date of Patent:** **** Apr. 14, 2009**

(54) **OPTICAL CONNECTOR FERRULE**

(75) Inventors: **Katsuki Suematsu**, Tokyo (JP); **Hideki Miyazaki**, Tokyo (JP); **Masao Shinoda**, Tokyo (JP)

(73) Assignee: **The Furukawa Electric Co., Ltd.**, Tokyo (JP)

(**) Term: **14 Years**

(21) Appl. No.: **29/298,995**

(22) Filed: **Dec. 17, 2007**

(51) **LOC (9) Cl.** **13-03**

(52) **U.S. Cl.** **D13/147**

(58) **Field of Classification Search** D13/133,
D13/146, 147, 154, 184, 199; 439/108, 352,
439/354, 357, 358, 374, 567, 607, 608, 609,
439/610, 656, 676, 680

See application file for complete search history.

(56) **References Cited**

U.S. PATENT DOCUMENTS

D318,266 S *	7/1991	Matsuzaki	D13/147
D517,994 S *	3/2006	Zhang et al.	D13/147
D525,941 S *	8/2006	Kudo	D13/147
D563,890 S *	3/2008	Dever	D13/147

FOREIGN PATENT DOCUMENTS

JP 1011627 5/1998

OTHER PUBLICATIONS

U.S. Appl. No. 29/298,982, filed Dec. 17, 2007, Suematsu, et al.
U.S. Appl. No. 29/298,995, filed Dec. 17, 2007, Suematsu, et al.
U.S. Appl. No. 29/298,996, filed Dec. 17, 2007, Suematsu, et al.

* cited by examiner

Primary Examiner—Daniel D Bui

(74) *Attorney, Agent, or Firm*—Oblon, Spivak, McClelland, Maier & Neustadt, P.C.

(57) **CLAIM**

The ornamental design for an optical connector ferrule, as shown and described.

DESCRIPTION

The nature and intended use of the article of manufacture in which the design of the present invention is embodied is an optical connector.

FIG. 1 is a top and right front perspective view of an optical connector ferrule, showing our new design;

FIG. 2 is a front elevational view thereof;

FIG. 3 is a rear elevational view thereof;

FIG. 4 is a right side elevational view thereof;

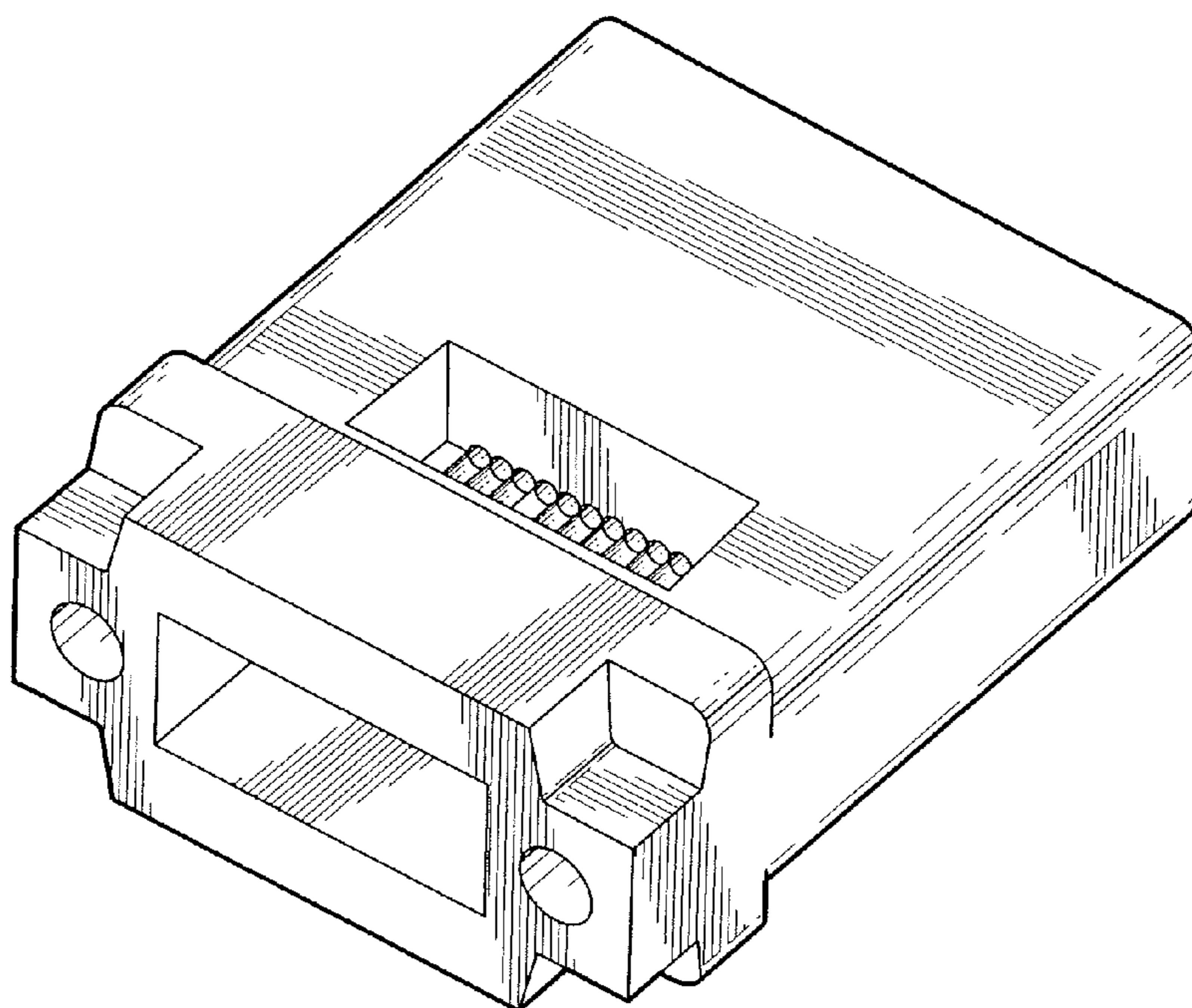
FIG. 5 is a left side elevational view thereof;

FIG. 6 is a top plan view thereof; and,

FIG. 7 is a bottom plan view thereof.

The broken lines of internal elements in FIG. 2 are included to show unclaimed subject matter only and form no part of the claimed design.

1 Claim, 4 Drawing Sheets



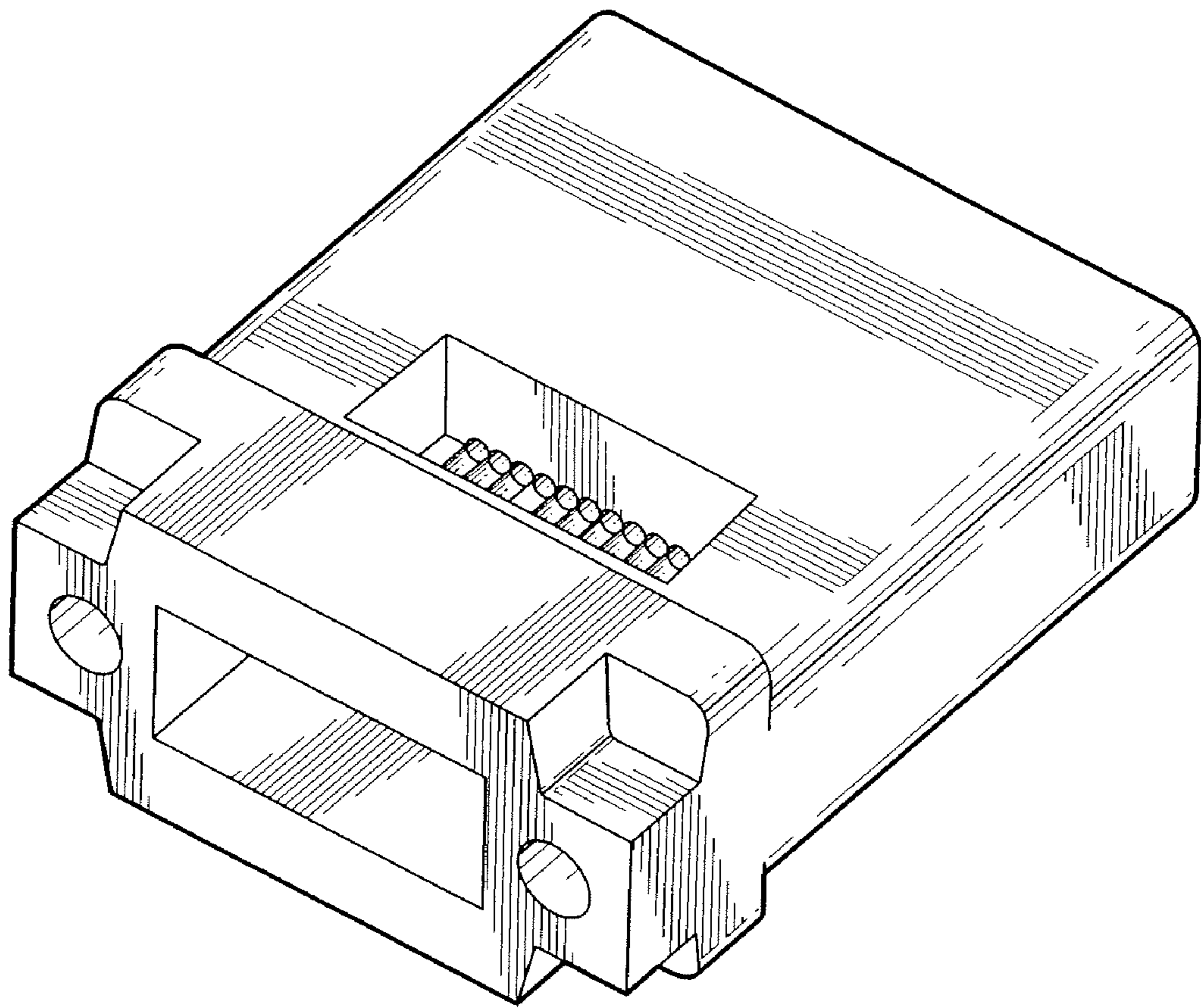


Fig. 1

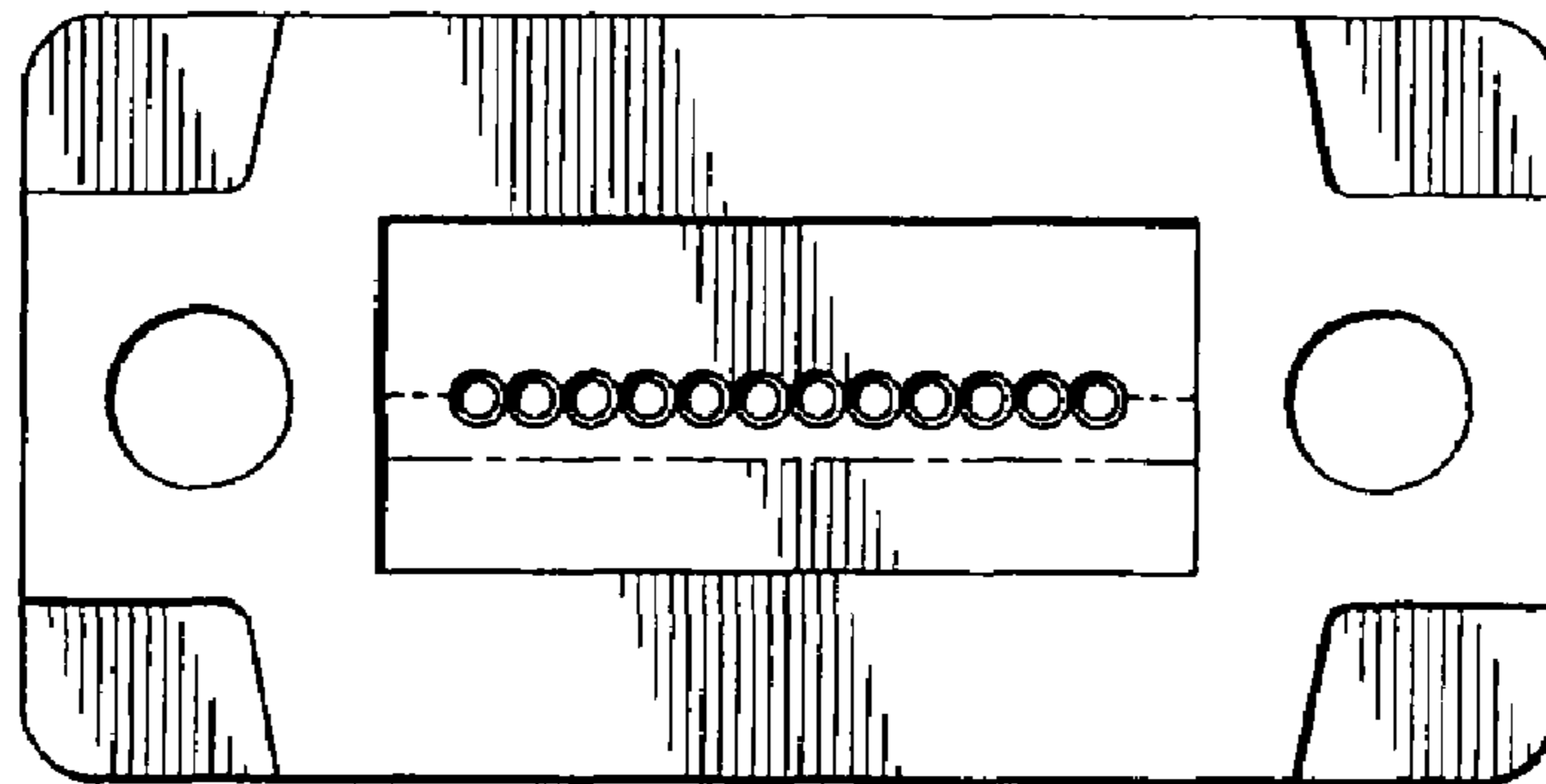


Fig. 2

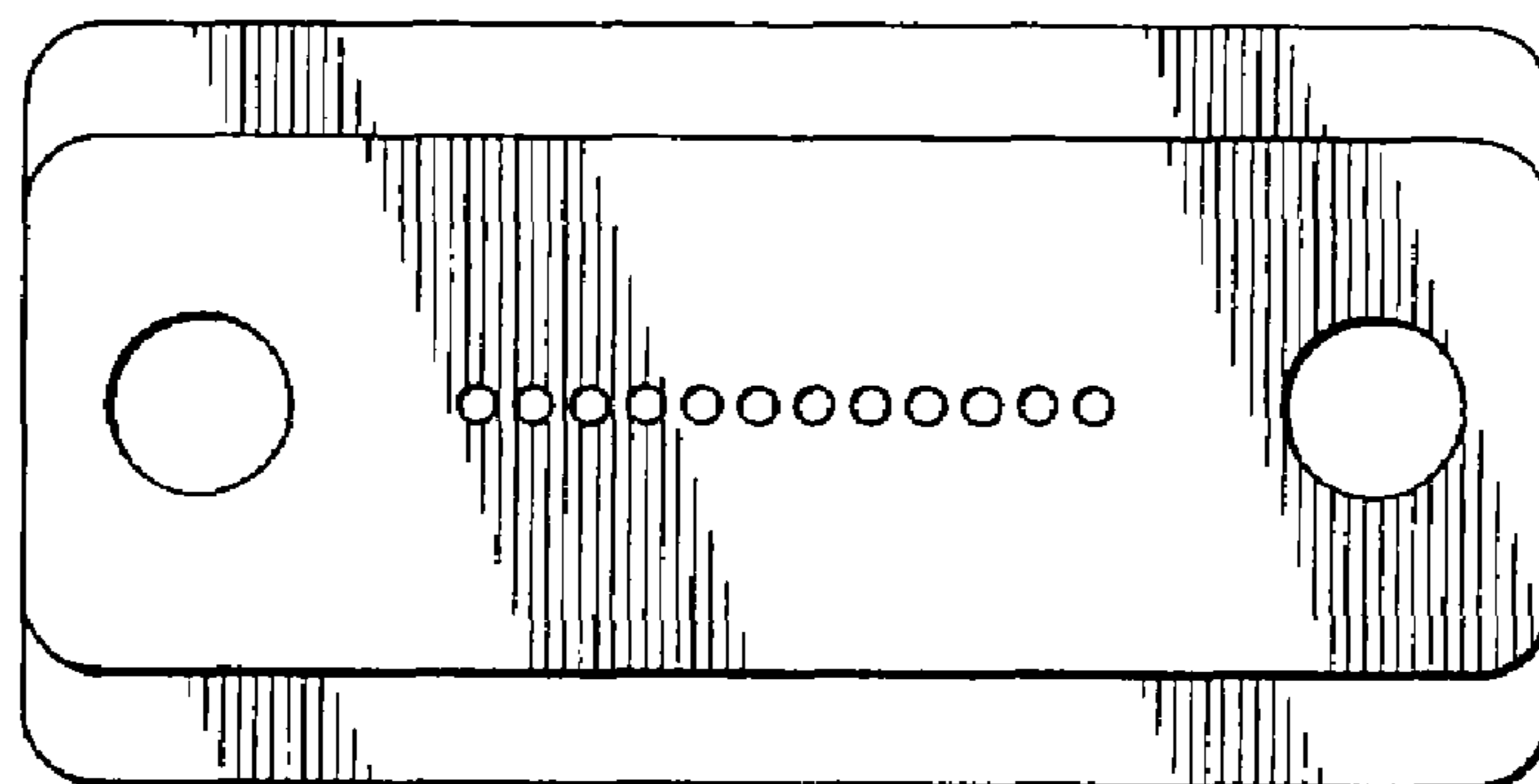


Fig. 3

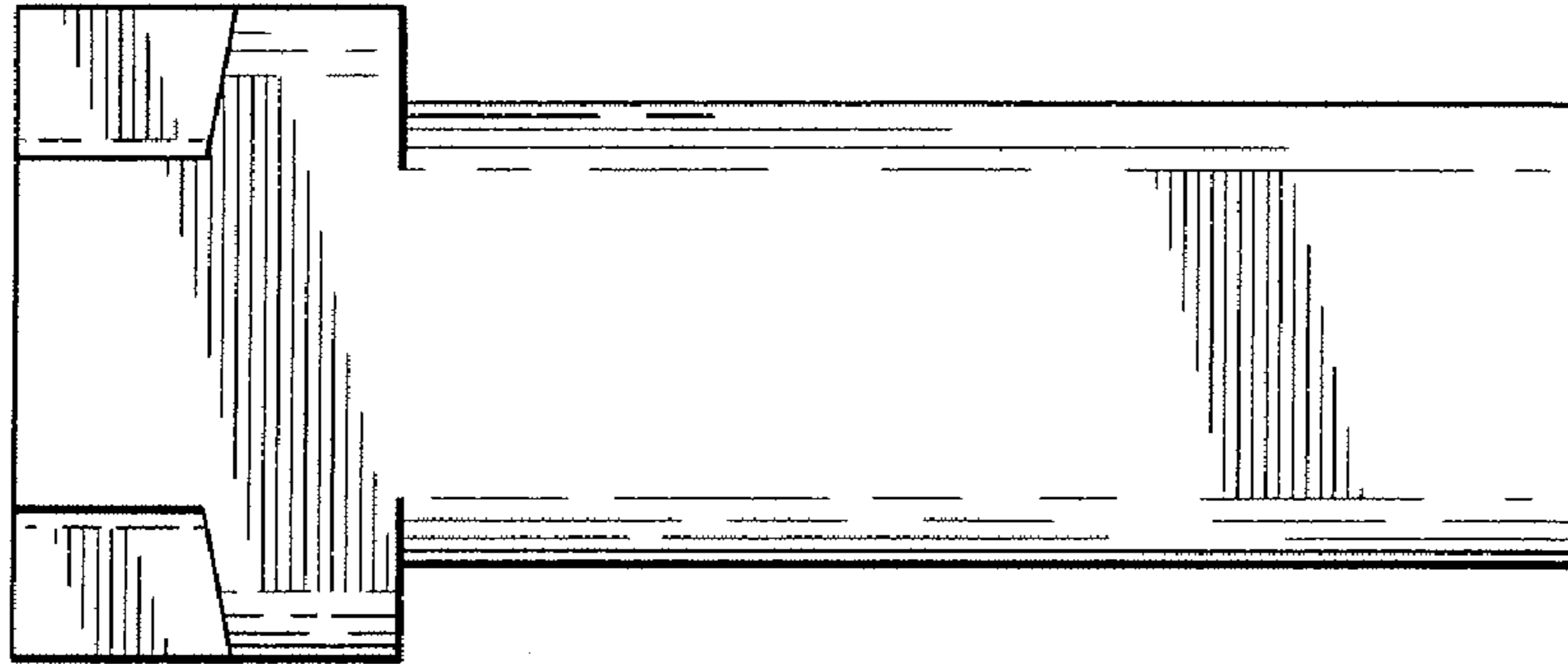


Fig. 4

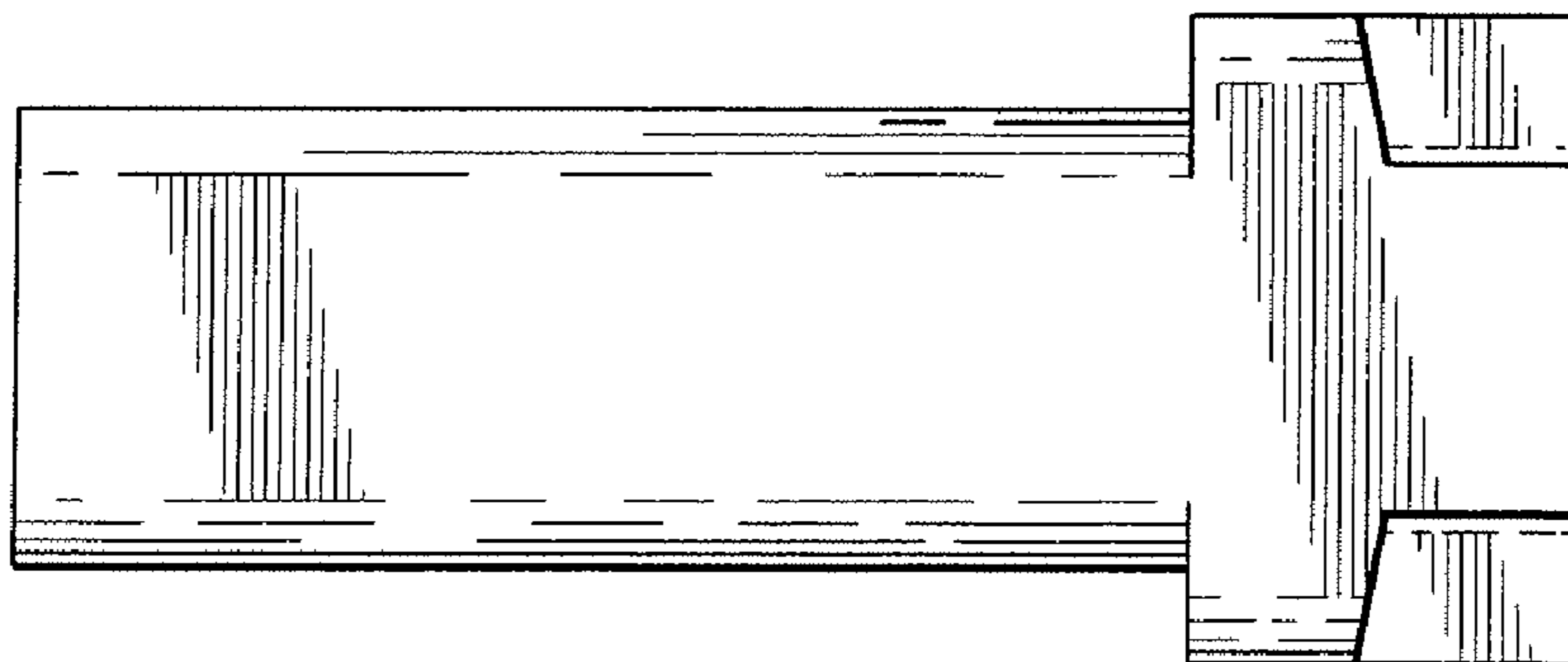


Fig. 5

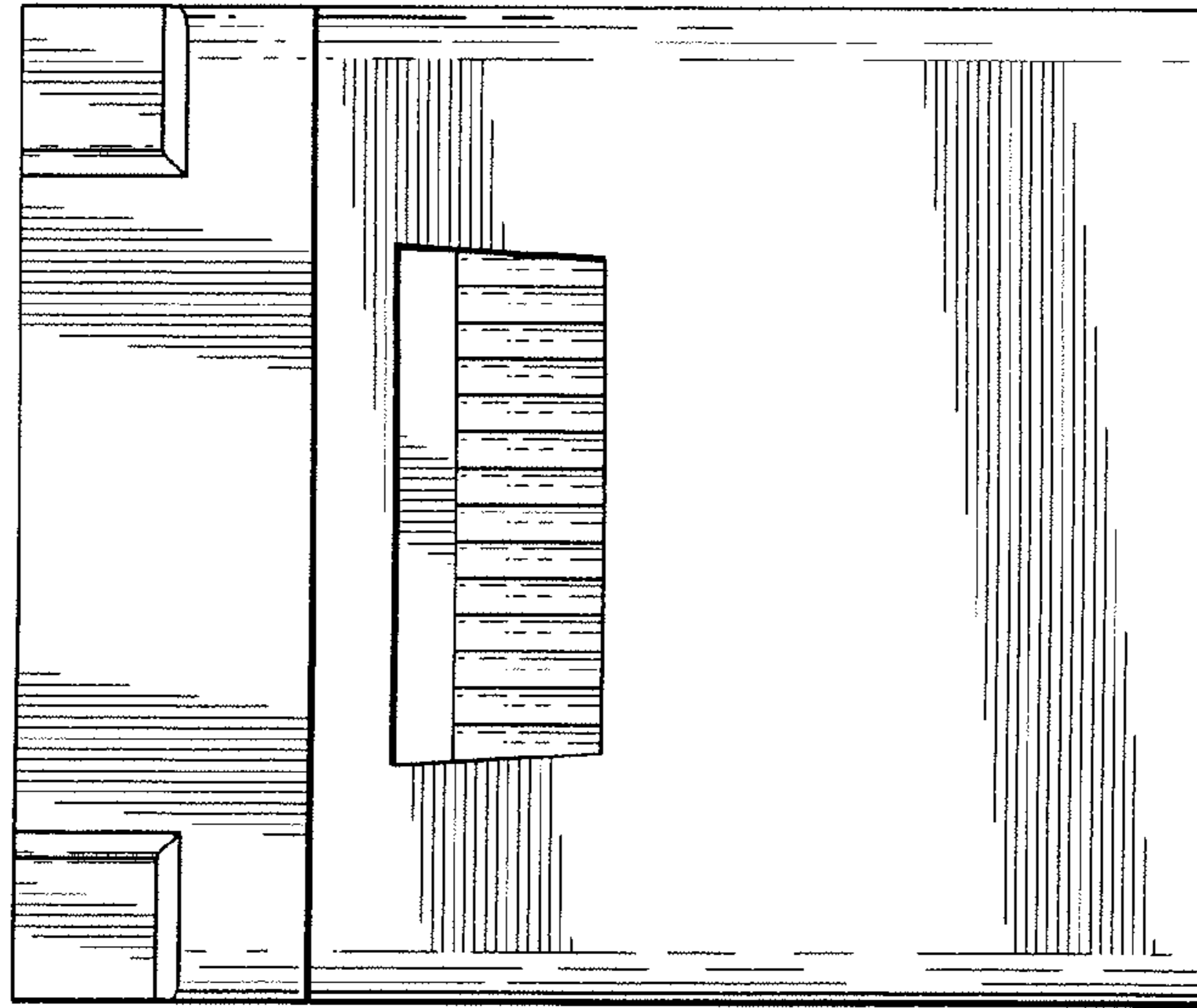


Fig. 6

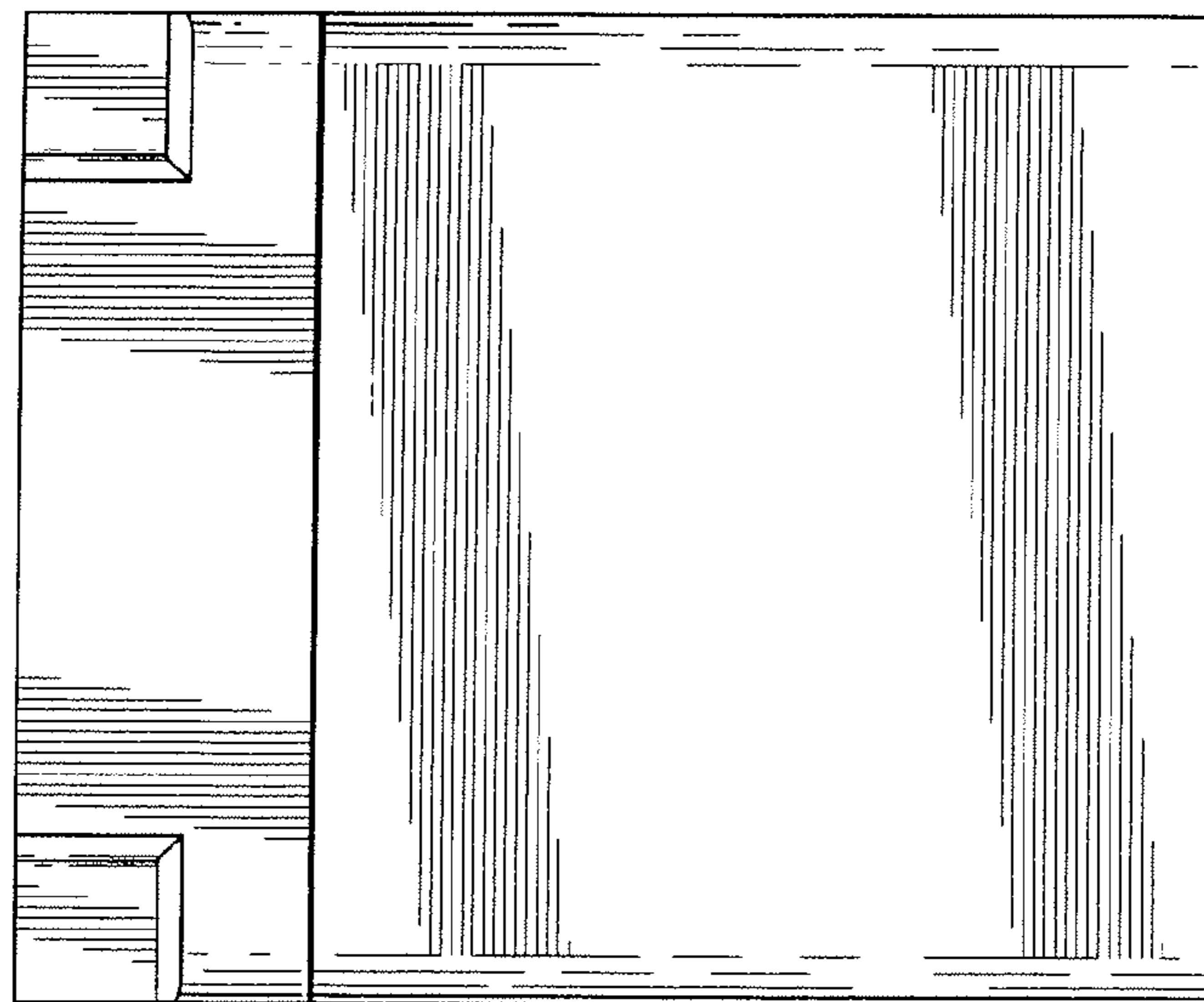


Fig. 7