

US00D590343S

(12) **United States Design Patent**
Zayas

(10) **Patent No.:** **US D590,343 S**

(45) **Date of Patent:** **** Apr. 14, 2009**

(54) **ADAPTOR FOR LAMP CONNECTOR**

D575,234 S * 8/2008 Zayas D13/134
D577,337 S * 9/2008 Zayas D13/134

(75) Inventor: **Betty Jean Zayas**, Bridgeport, CT (US)

* cited by examiner

(73) Assignee: **Light Sources, Inc.**, Orange, CT (US)

Primary Examiner—Daniel D Bui

(74) *Attorney, Agent, or Firm*—Cantor Colburn LLP

(**) Term: **14 Years**

(21) Appl. No.: **29/321,530**

(57) **CLAIM**

(22) Filed: **Jul. 18, 2008**

The ornamental design for an adaptor for lamp connector, as shown and described.

Related U.S. Application Data

DESCRIPTION

(63) Continuation of application No. 29/302,119, filed on Jan. 10, 2008, now Pat. No. Des. 577,337.

FIG. 1 is a top, front and right side of an adaptor for lamp connector showing my new design, in use condition;

(51) **LOC (9) Cl.** **13-03**

FIG. 2 is a top, rear and left side perspective view thereof;

(52) **U.S. Cl.** **D13/134; D13/136**

FIG. 3 is a front elevation view thereof;

(58) **Field of Classification Search** D13/133, D13/134, 136, 146, 147, 154, 184, 199; D26/24, D26/113; 313/318.01, 318.02, 318.03, 318.05, 313/318.12; 362/260; 439/168, 220, 226, 439/280, 291, 375, 378, 379, 419, 602, 626, 439/639, 649

FIG. 4 is a right side elevation view thereof;

FIG. 5 is a left side elevation view thereof;

FIG. 6 is a back side elevation view thereof;

FIG. 7 is a top plan view thereof;

FIG. 8 is a bottom plan view thereof; and,

See application file for complete search history.

FIG. 9 is a top, rear and left side perspective view thereof, not in use condition.

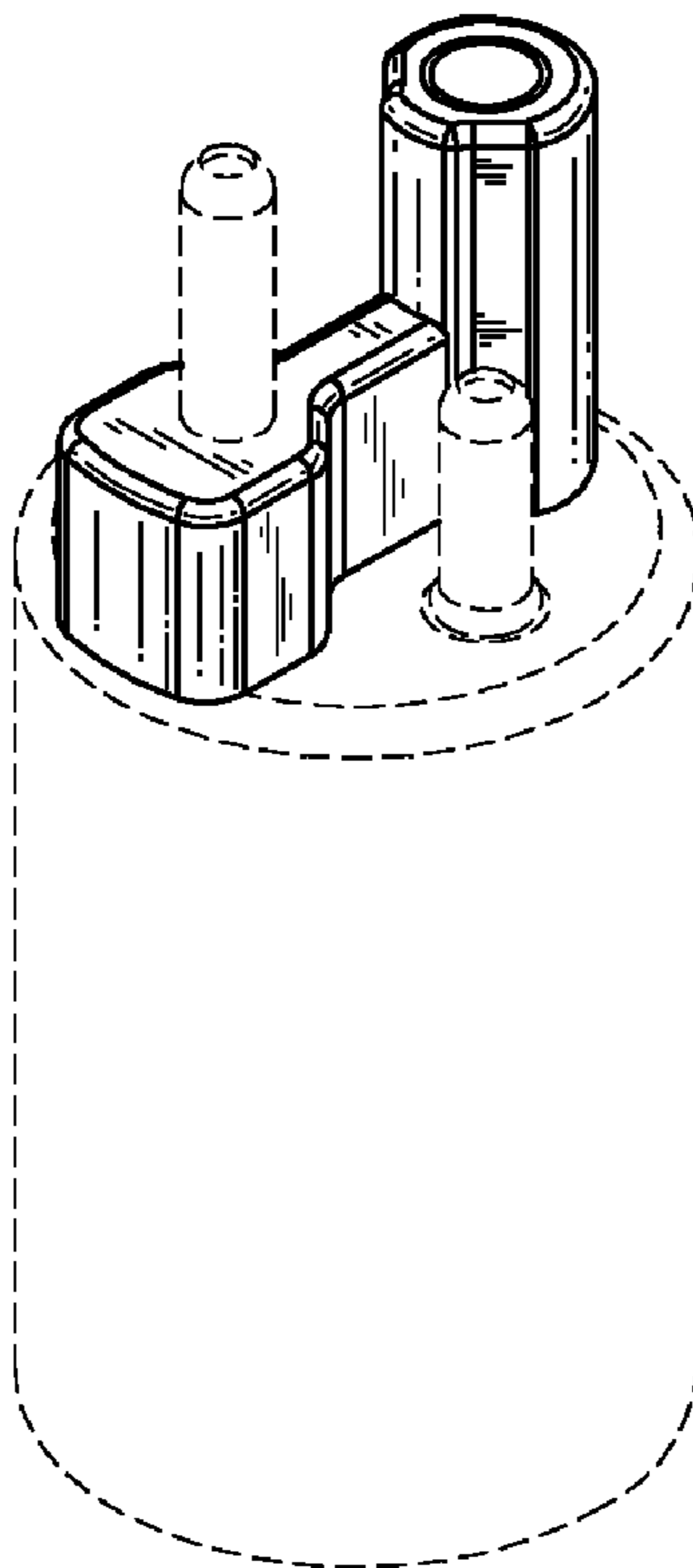
(56) **References Cited**

The broken line of the environment is included to show unclaimed subject matter only and forms no part of the claimed design.

U.S. PATENT DOCUMENTS

D547,725 S * 7/2007 Ciancanelli et al. D13/134
D551,624 S * 9/2007 Ciancanelli et al. D13/136
D553,569 S * 10/2007 Ciancanelli et al. D13/136

1 Claim, 2 Drawing Sheets



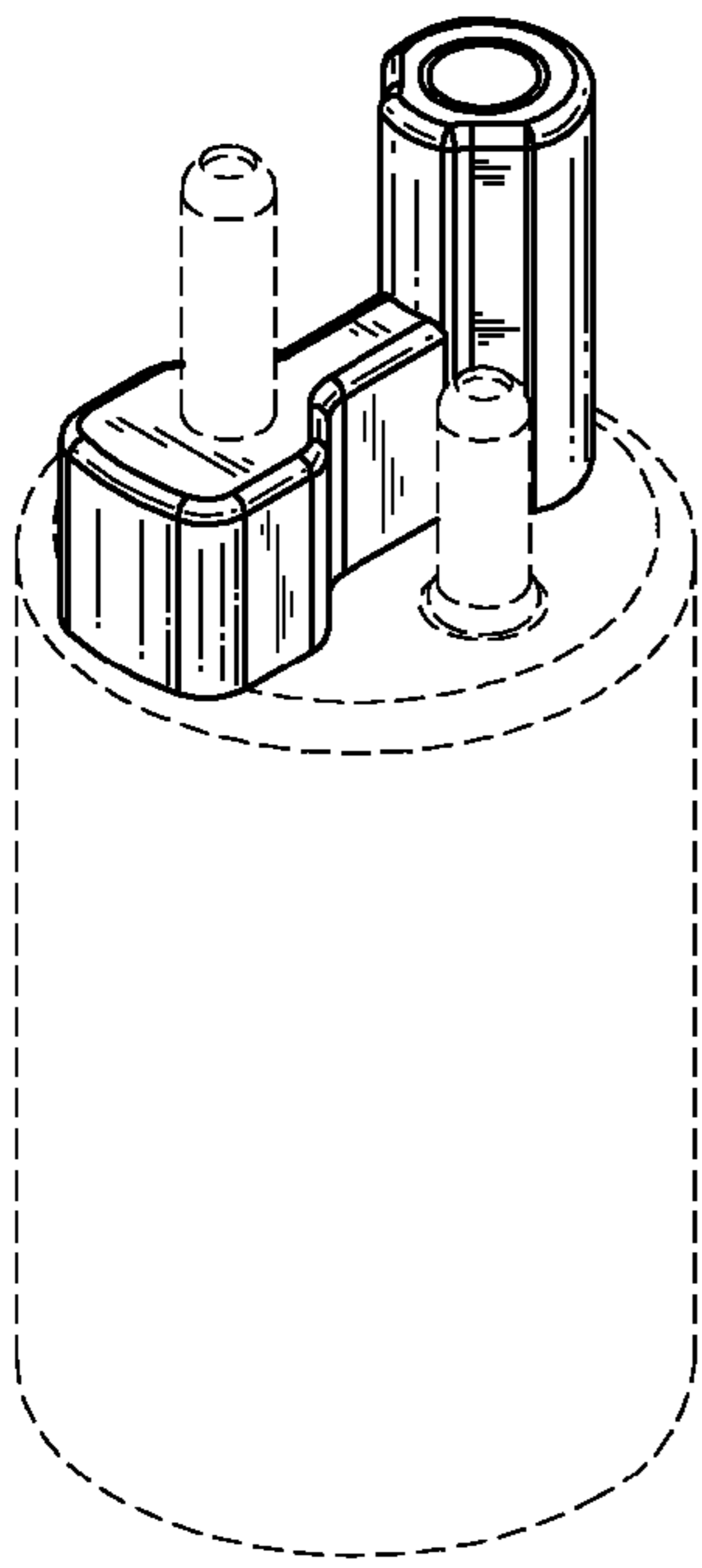


FIG. 1

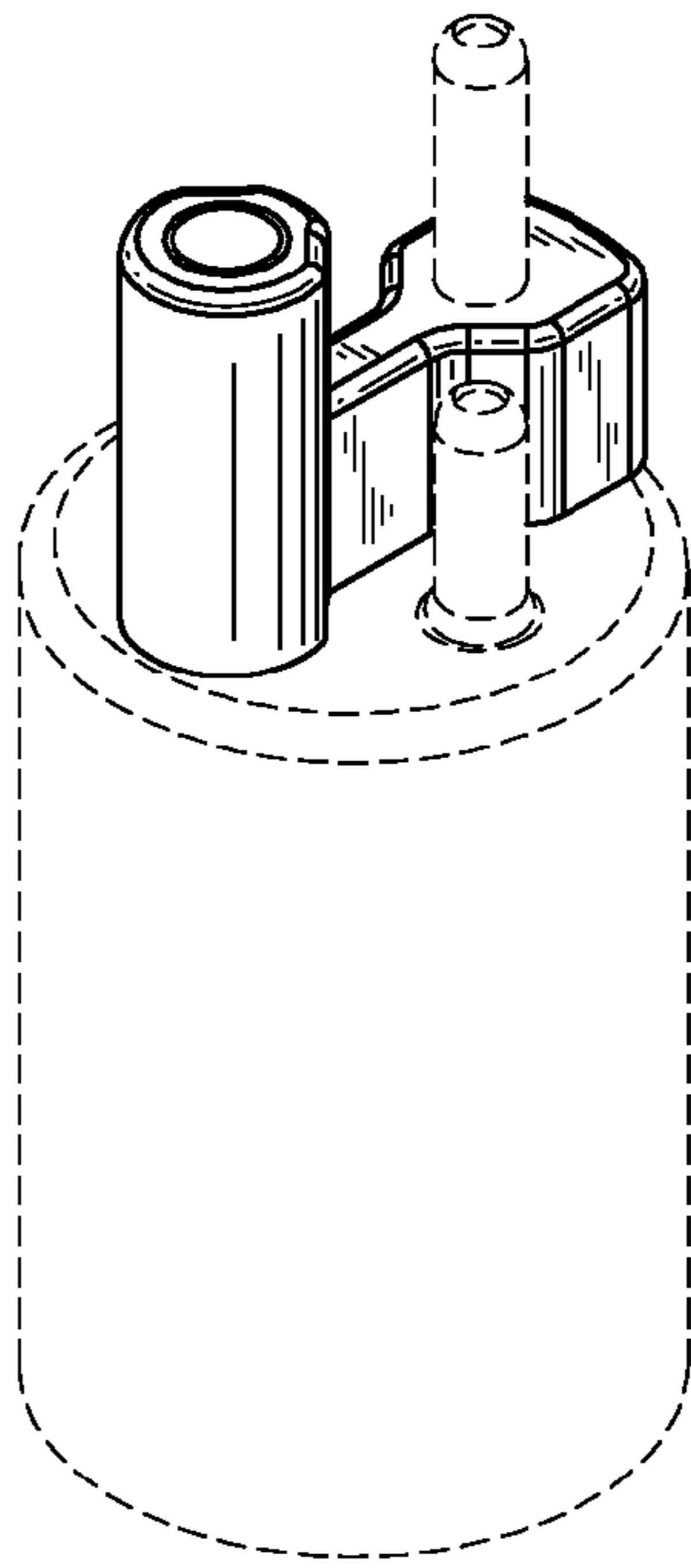


FIG. 2

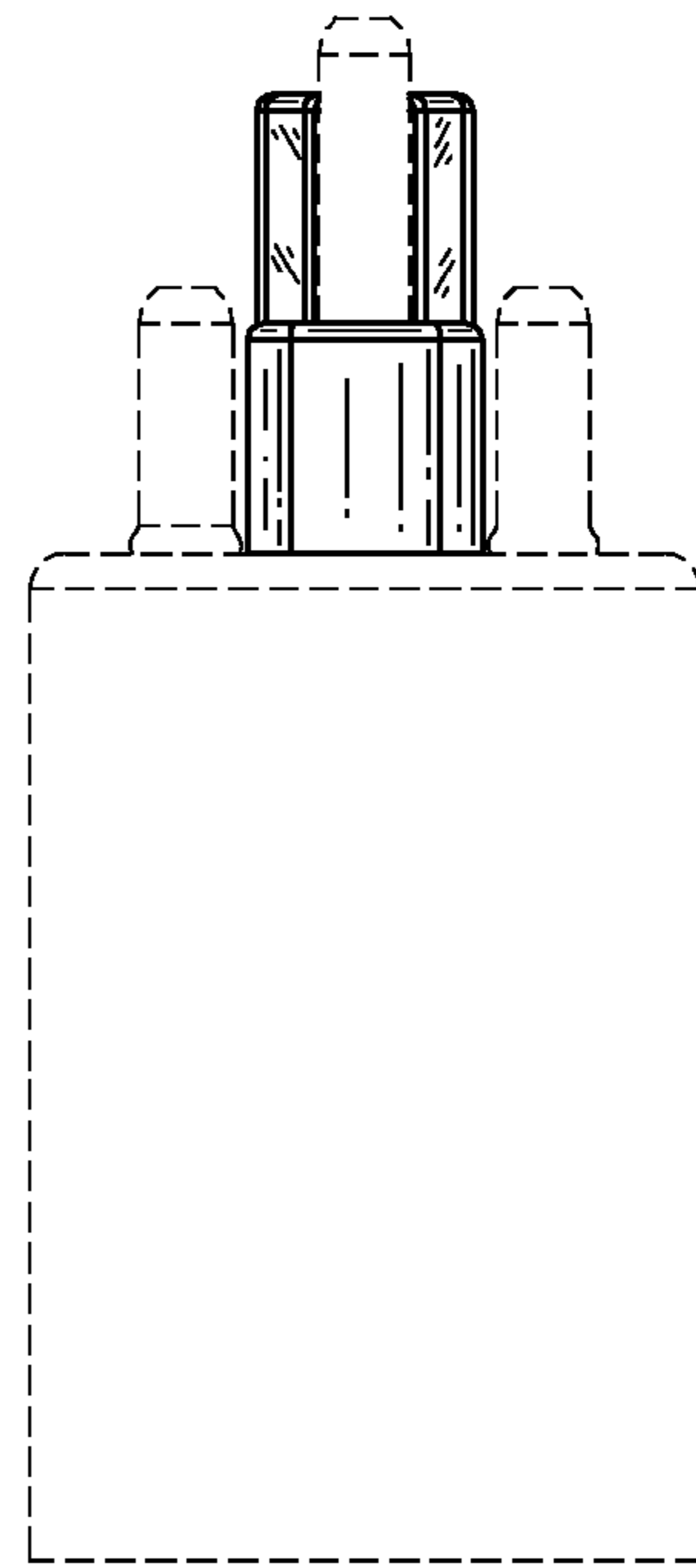


FIG. 3

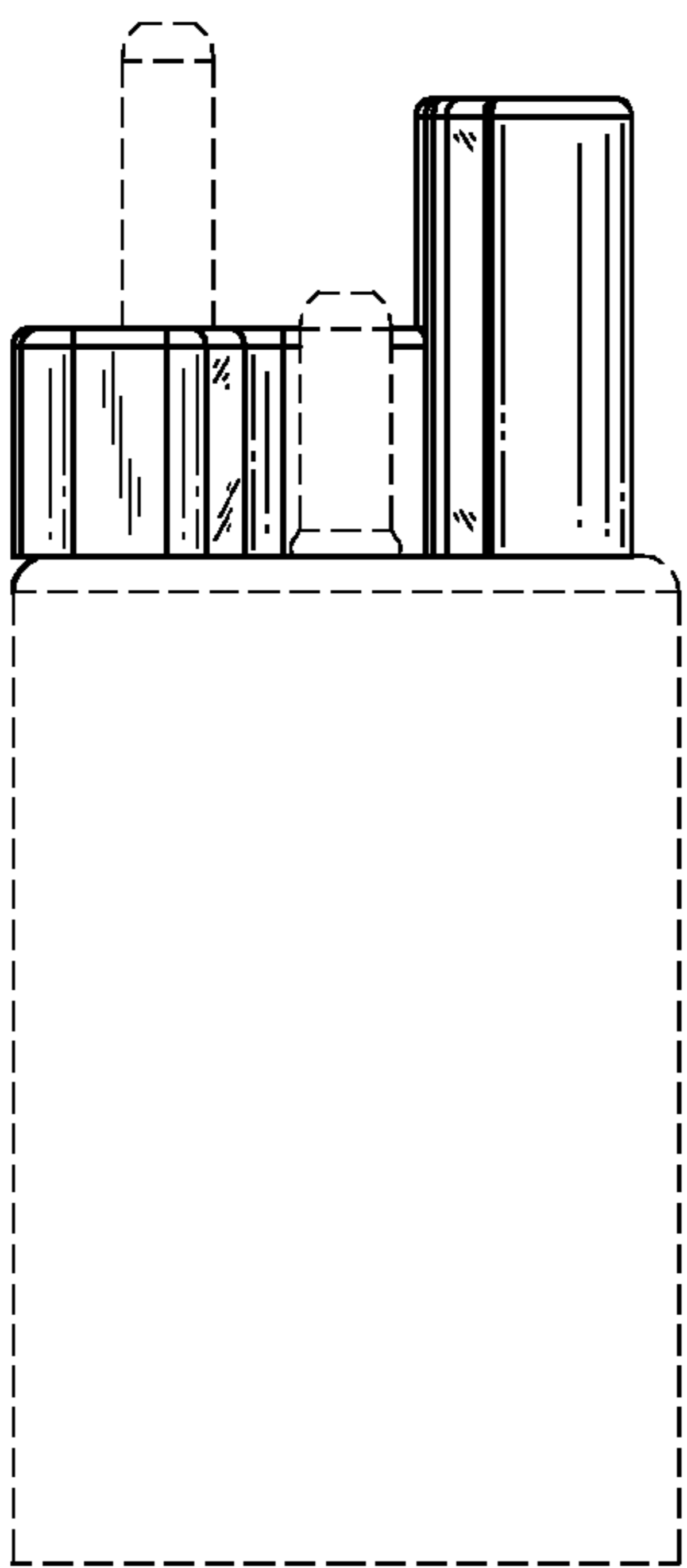


FIG. 4

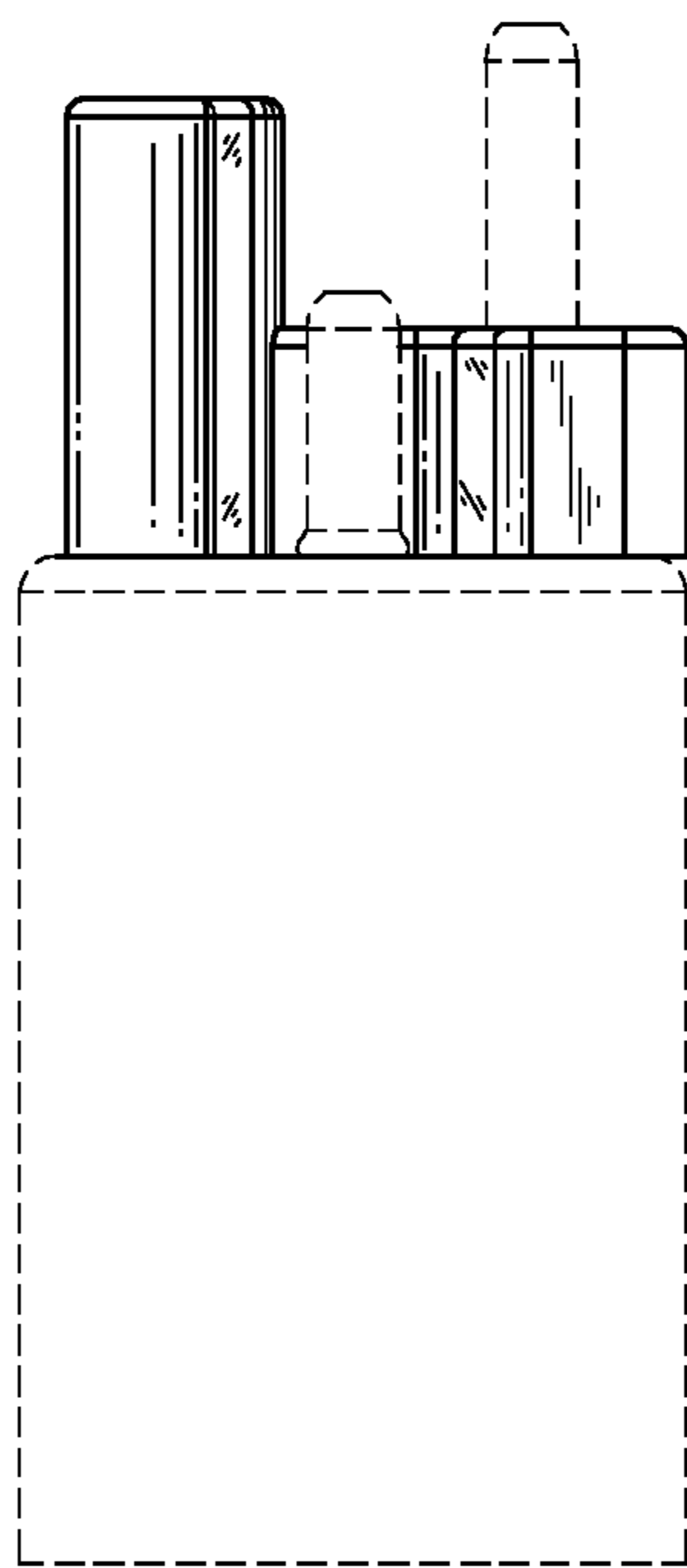


FIG. 5

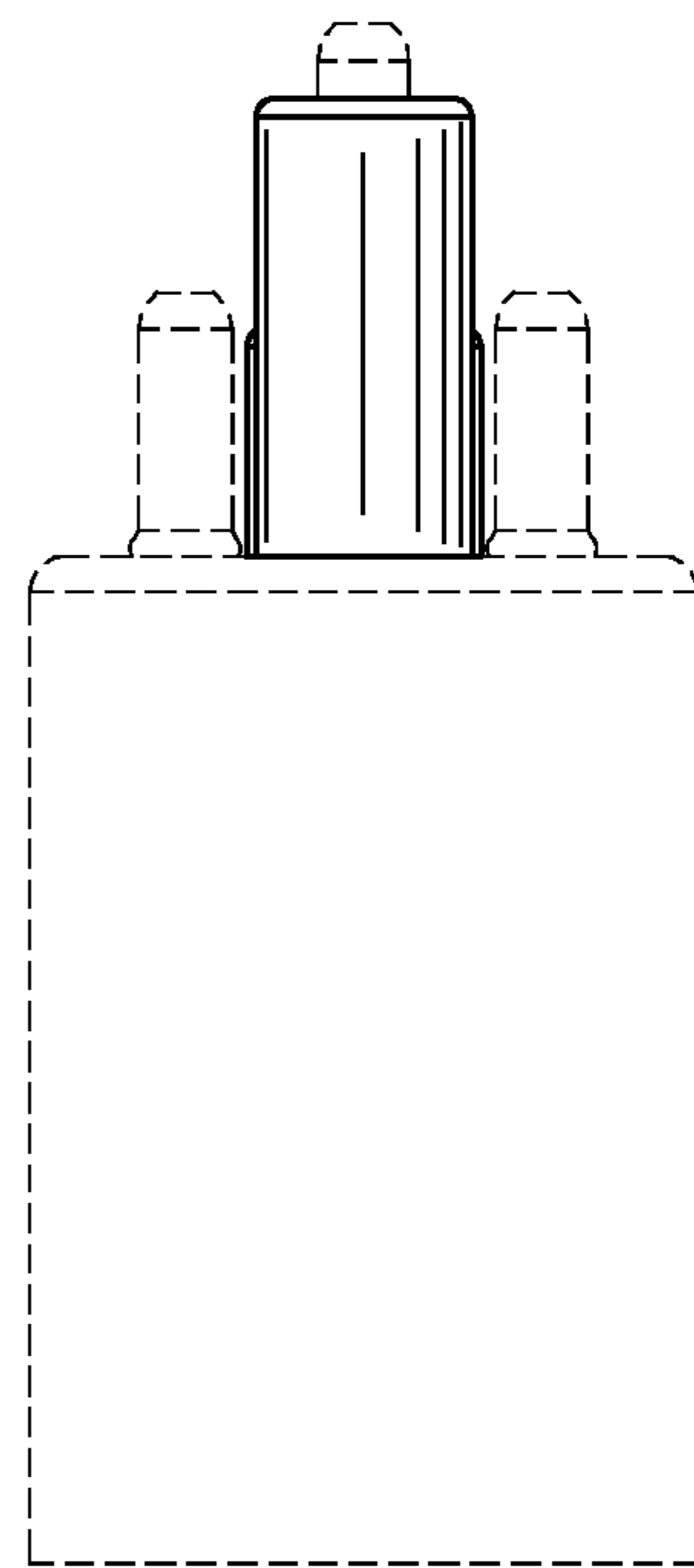


FIG. 6

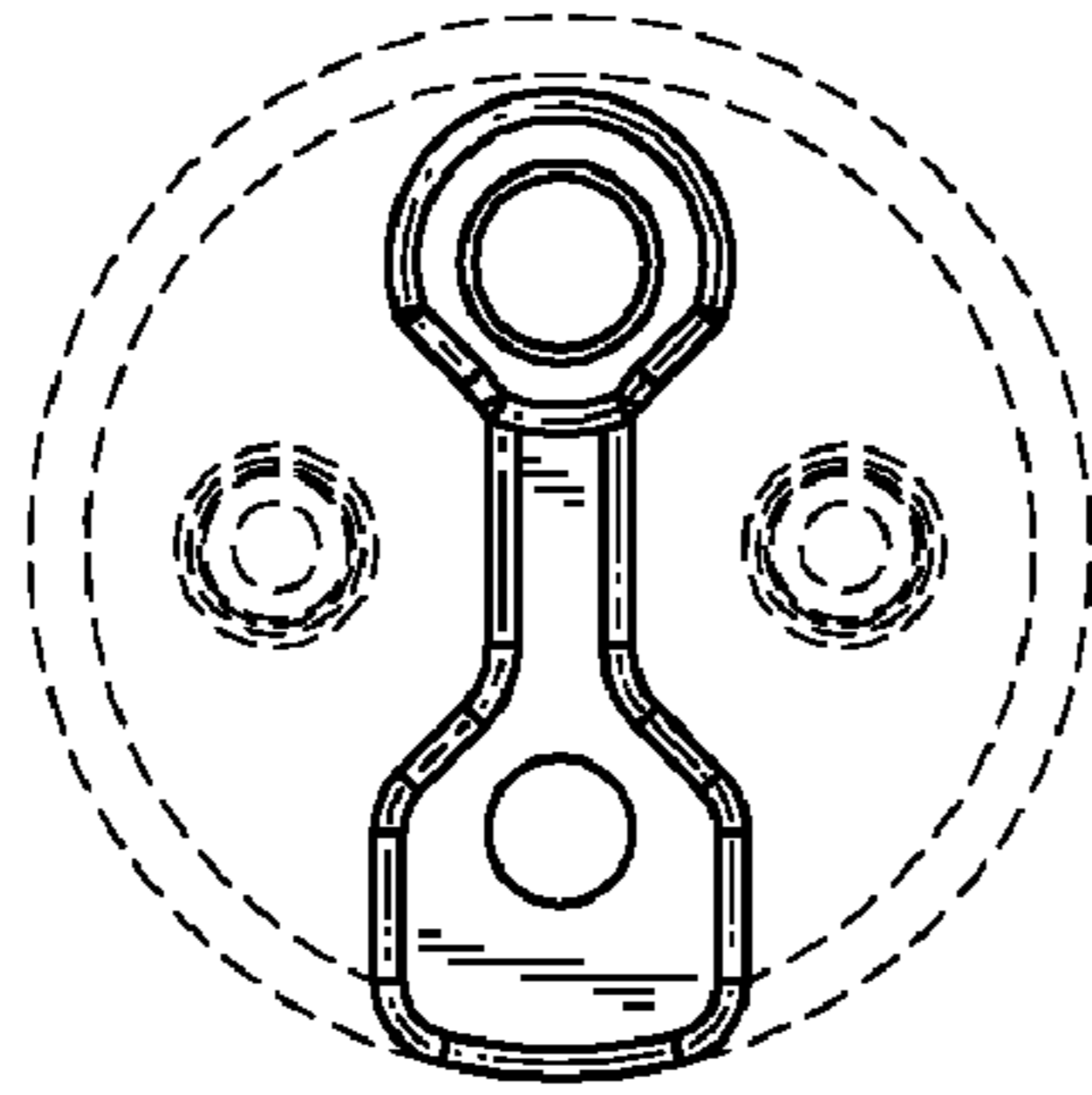


FIG. 7

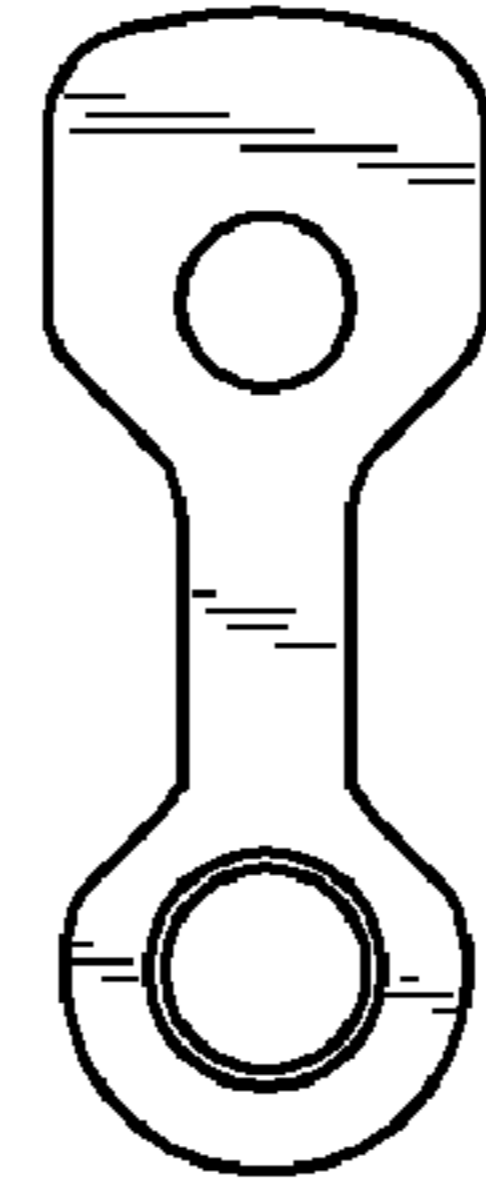


FIG. 8

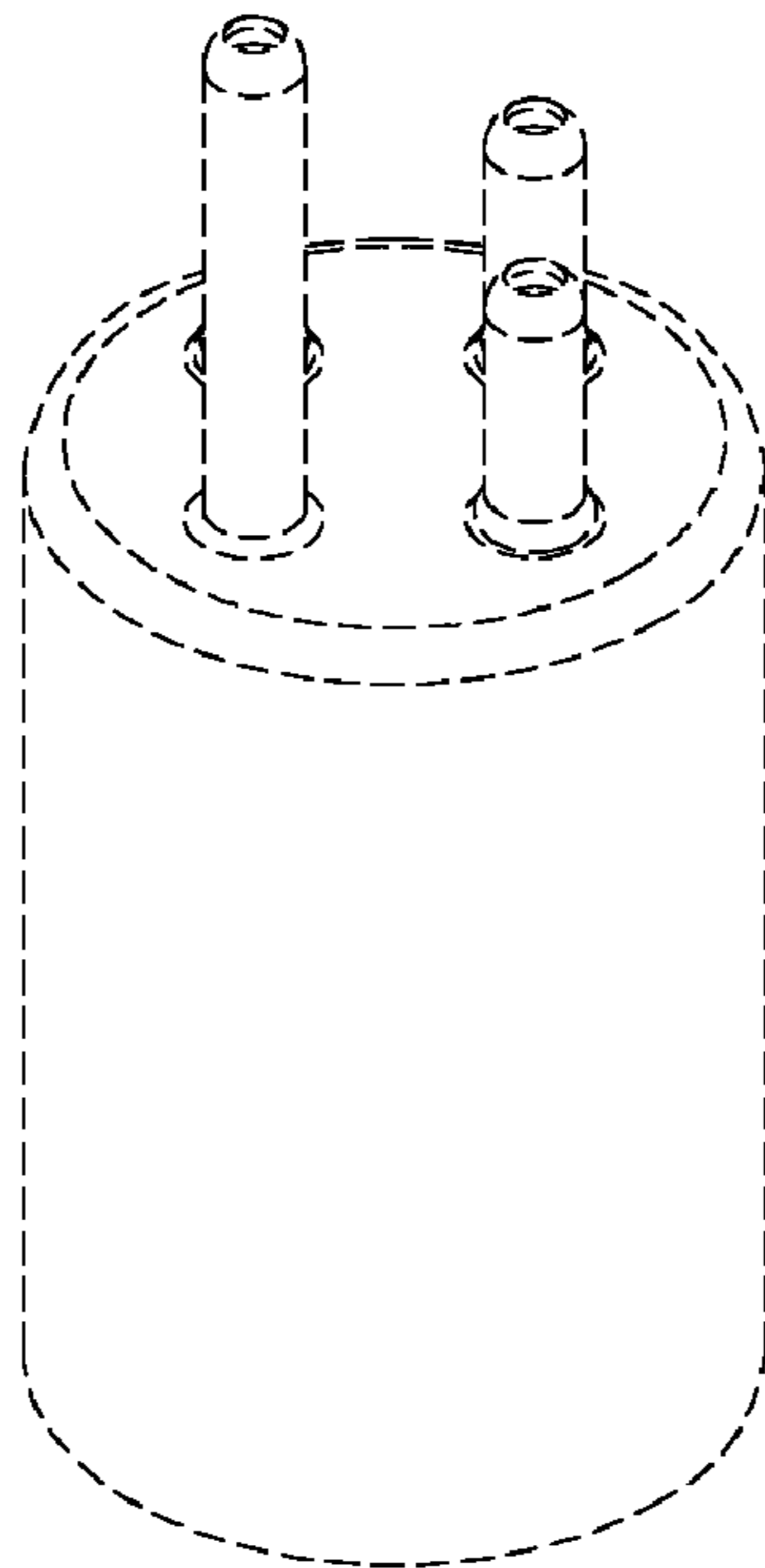
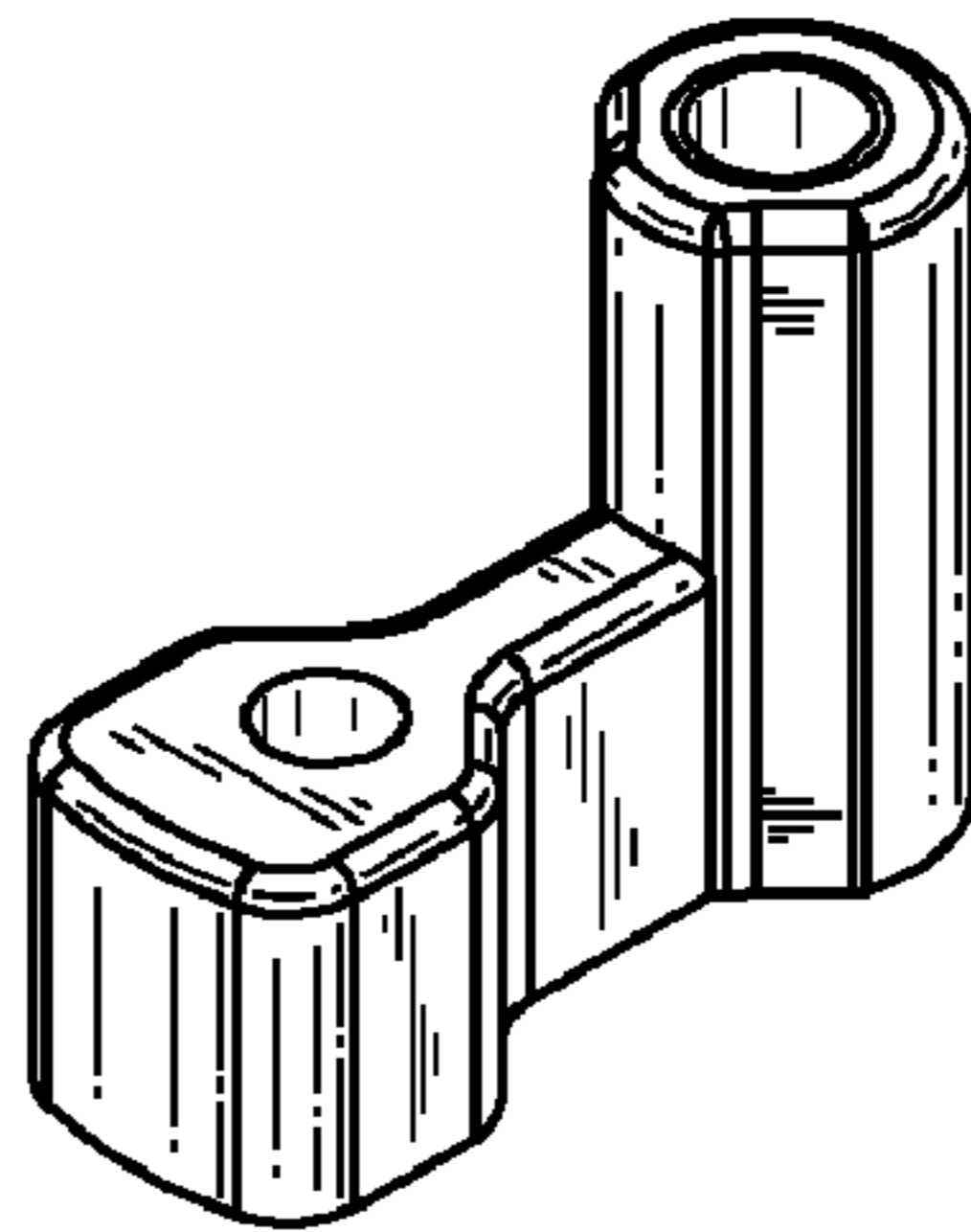


FIG. 9