

US00D590340S

(12) **United States Design Patent**
Sayama et al.

(10) **Patent No.:** **US D590,340 S**
(45) **Date of Patent:** **** Apr. 14, 2009**

(54) **WIND POWER GENERATOR**

D509,794 S 9/2005 Okubo et al.
D511,323 S 11/2005 Kato et al.
D511,495 S 11/2005 Okubo et al.

(75) Inventors: **Fumio Sayama**, Ise (JP); **Masami Morita**, Ise (JP); **Hiroki Kataoka**, Ise (JP); **Hiroaki Nishiono**, Ise (JP); **Junichi Kurokawa**, Ise (JP); **Tsuyoshi Muraoka**, Ise (JP)

OTHER PUBLICATIONS

U.S. Appl. No. 29/289,554.

* cited by examiner

Primary Examiner—Prabhakar Deshmukh

Assistant Examiner—Derrick Holland

(74) *Attorney, Agent, or Firm*—Nixon & Vanderhye P.C.

(73) Assignee: **Shinko Electric Co., Ltd.**, Tokyo (JP)

(**) Term: **14 Years**

(21) Appl. No.: **29/289,553**

(22) Filed: **Jul. 17, 2007**

(30) **Foreign Application Priority Data**

Jan. 19, 2007 (JP) 2007-000960

(51) **LOC (9) Cl.** **13-01**

(52) **U.S. Cl.** **D13/115**

(58) **Field of Classification Search** D13/115,
D13/114, 118, 184, 199; 415/56.3, 916;
416/111, 117, 119, 132 B, 141, 196 A, 197 A,
416/211

See application file for complete search history.

(56) **References Cited**

U.S. PATENT DOCUMENTS

4,105,363 A 8/1978 Loth
4,247,253 A 1/1981 Seki et al.
4,255,085 A * 3/1981 Evans 416/197 A
4,274,809 A * 6/1981 Delgado et al. 416/117
4,456,429 A * 6/1984 Kelland 416/117
4,799,860 A 1/1989 Martin
D336,762 S * 6/1993 Miller D25/1
5,518,367 A * 5/1996 Verastegui 416/119
6,379,115 B1 * 4/2002 Hirai 416/17
D508,893 S 8/2005 Kato et al.

(57) **CLAIM**

The ornamental design for a wind power generator, as shown and described.

DESCRIPTION

FIG. 1 is a perspective view of a wind power generator.

FIG. 2 is a front elevation view thereof.

FIG. 3 is a rear elevation view thereof.

FIG. 4 is a top plan view thereof.

FIG. 5 is a bottom plan view thereof.

FIG. 6 is a left side elevation view thereof.

FIG. 7 is a right side elevation view thereof.

FIG. 8 is an enlarged fragmentary perspective view thereof taken along line 8—8 in FIG. 1.

FIG. 9 is an enlarged fragmentary front view thereof taken along line 9—9 in FIG. 2.

FIG. 10 is an enlarged top plan view thereof; and,

FIG. 11 is an enlarged bottom plan view thereof.

The broken lines shown in the views represent unclaimed subject matter and form no part of the claimed design.

1 Claim, 11 Drawing Sheets

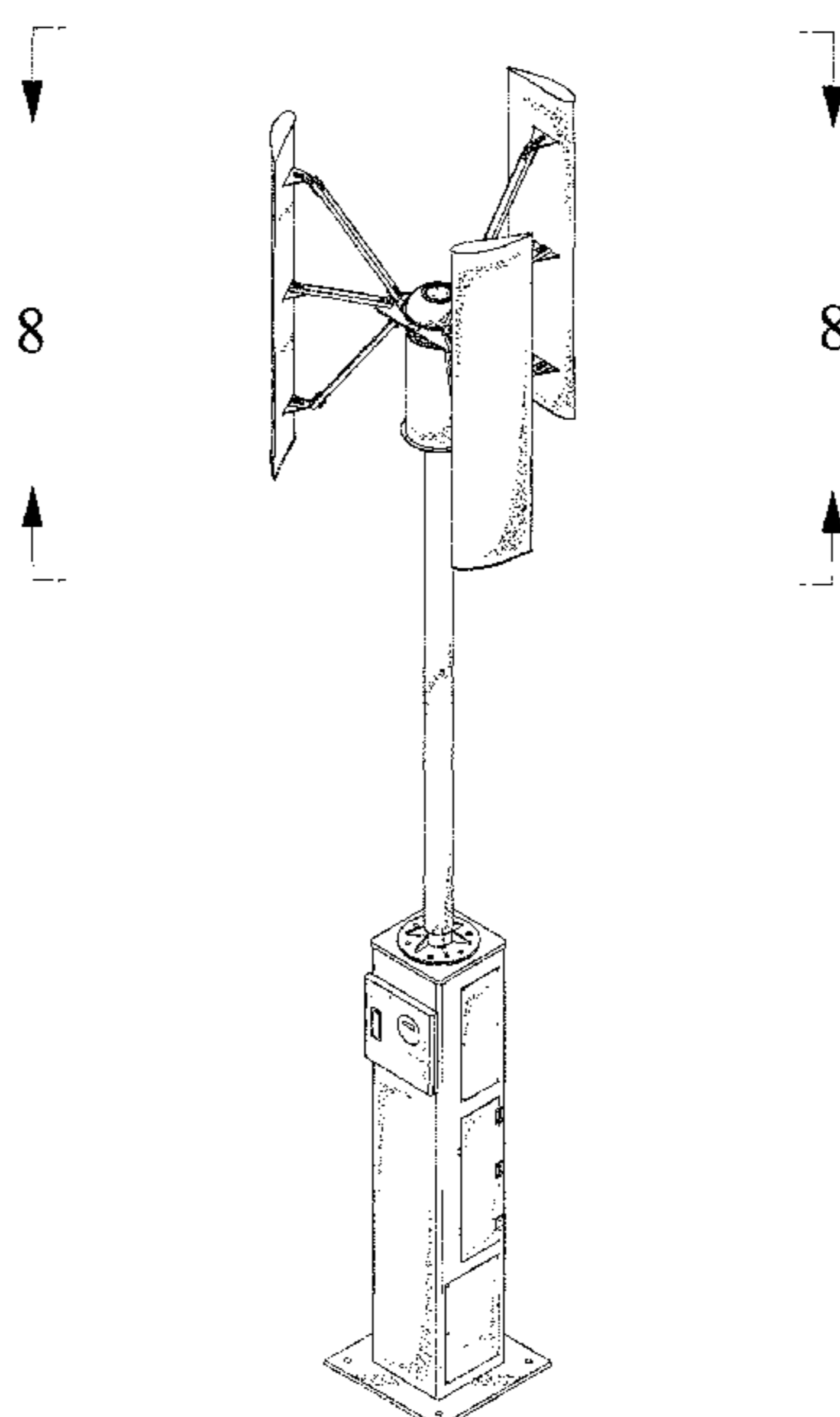


FIG. 1

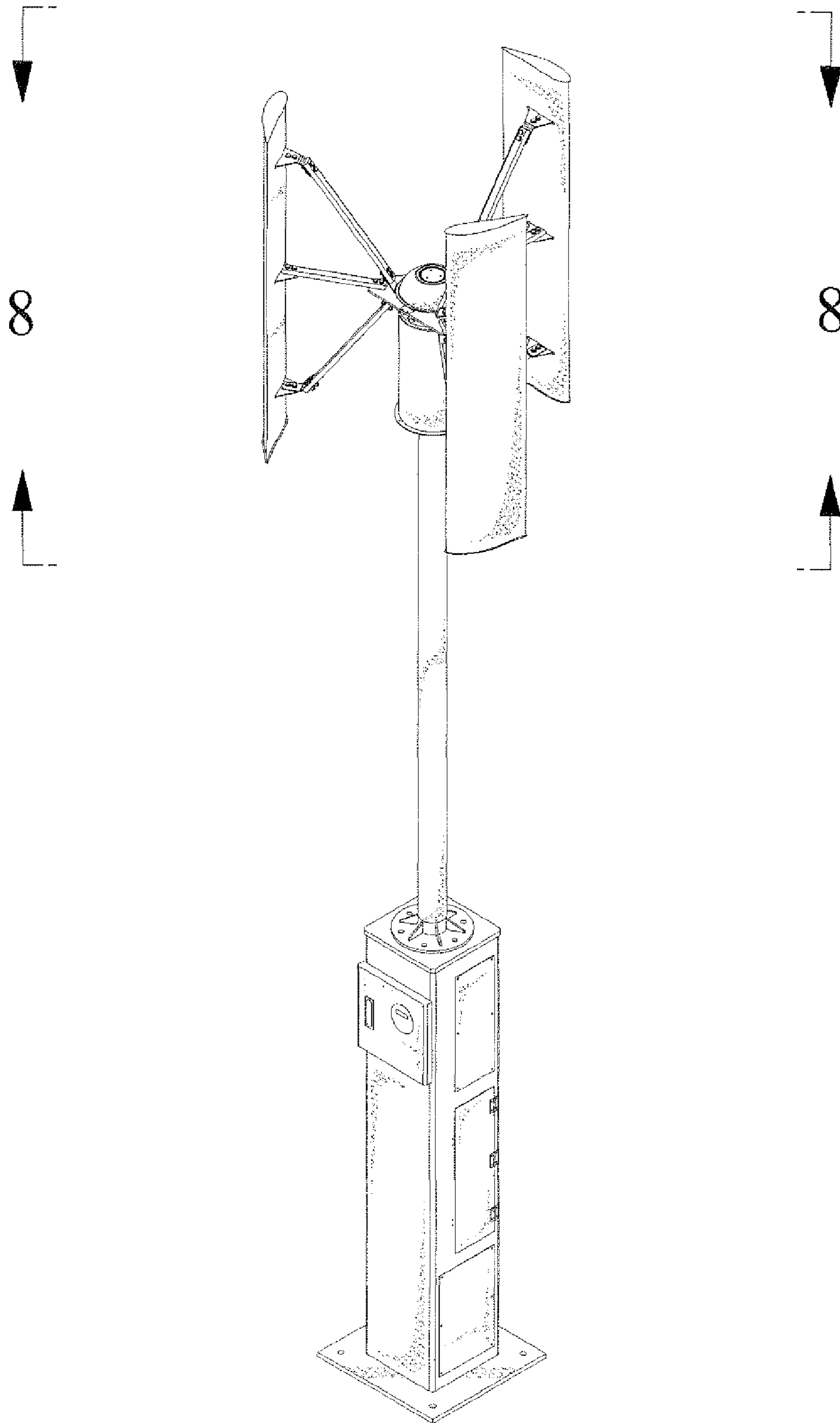


FIG. 2

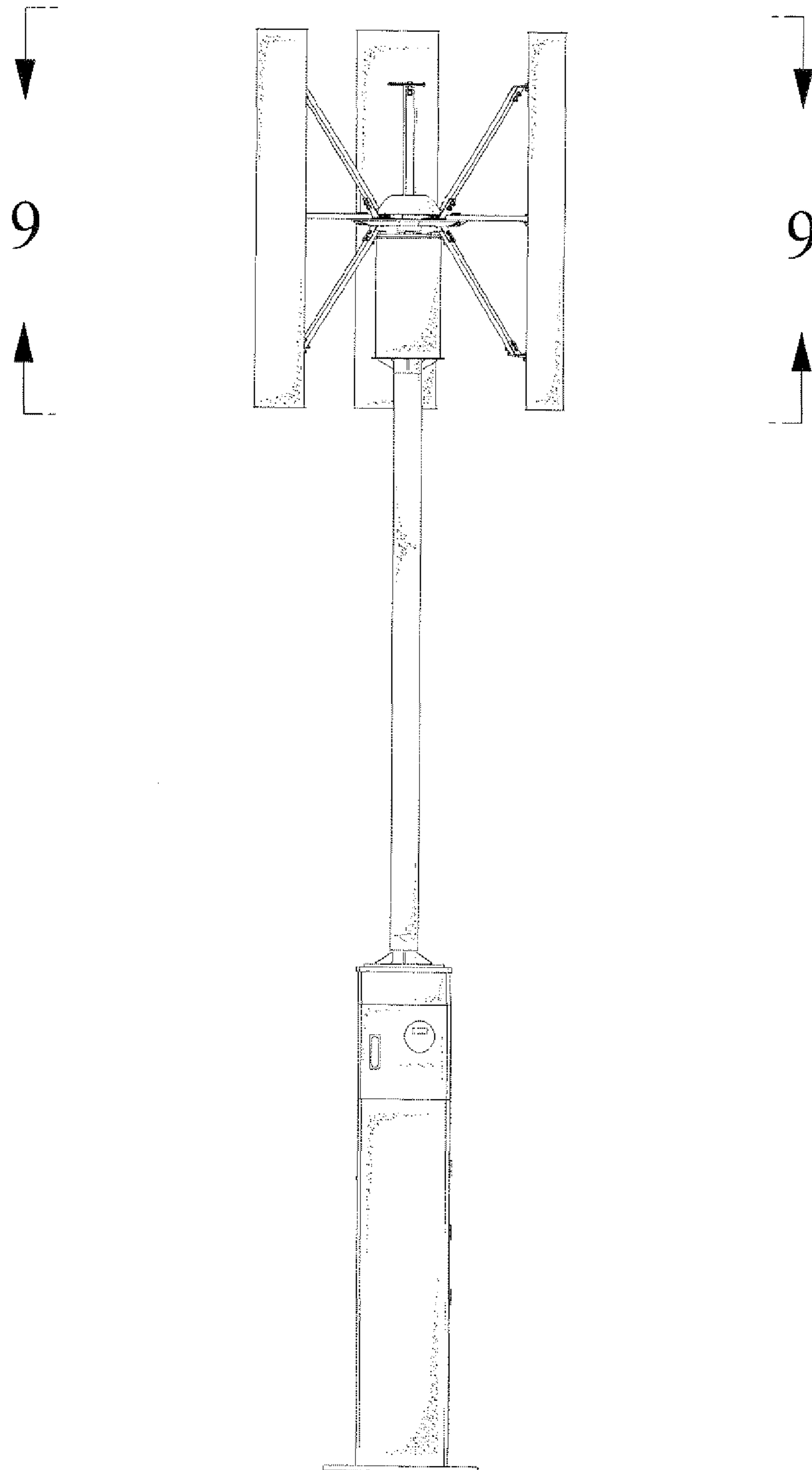


FIG. 3

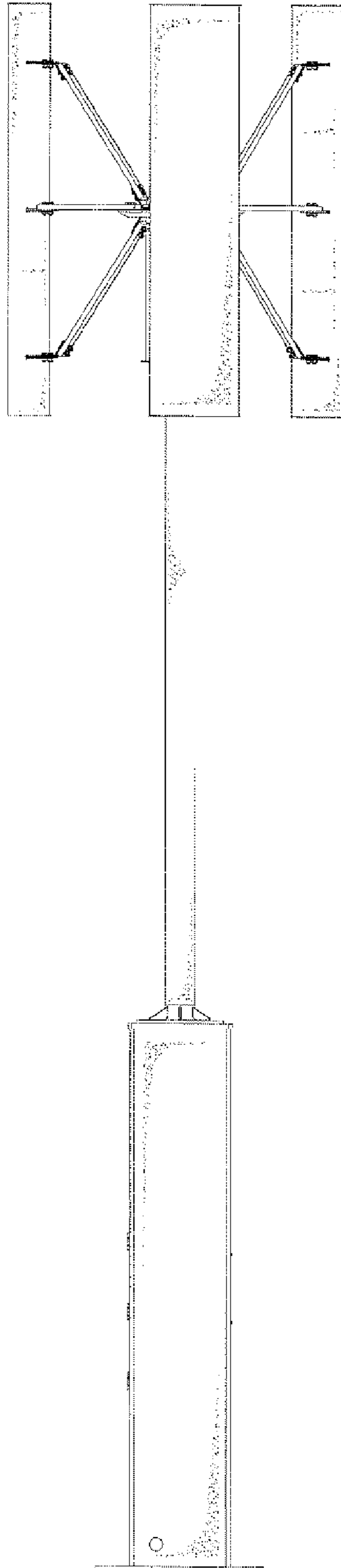


FIG. 4

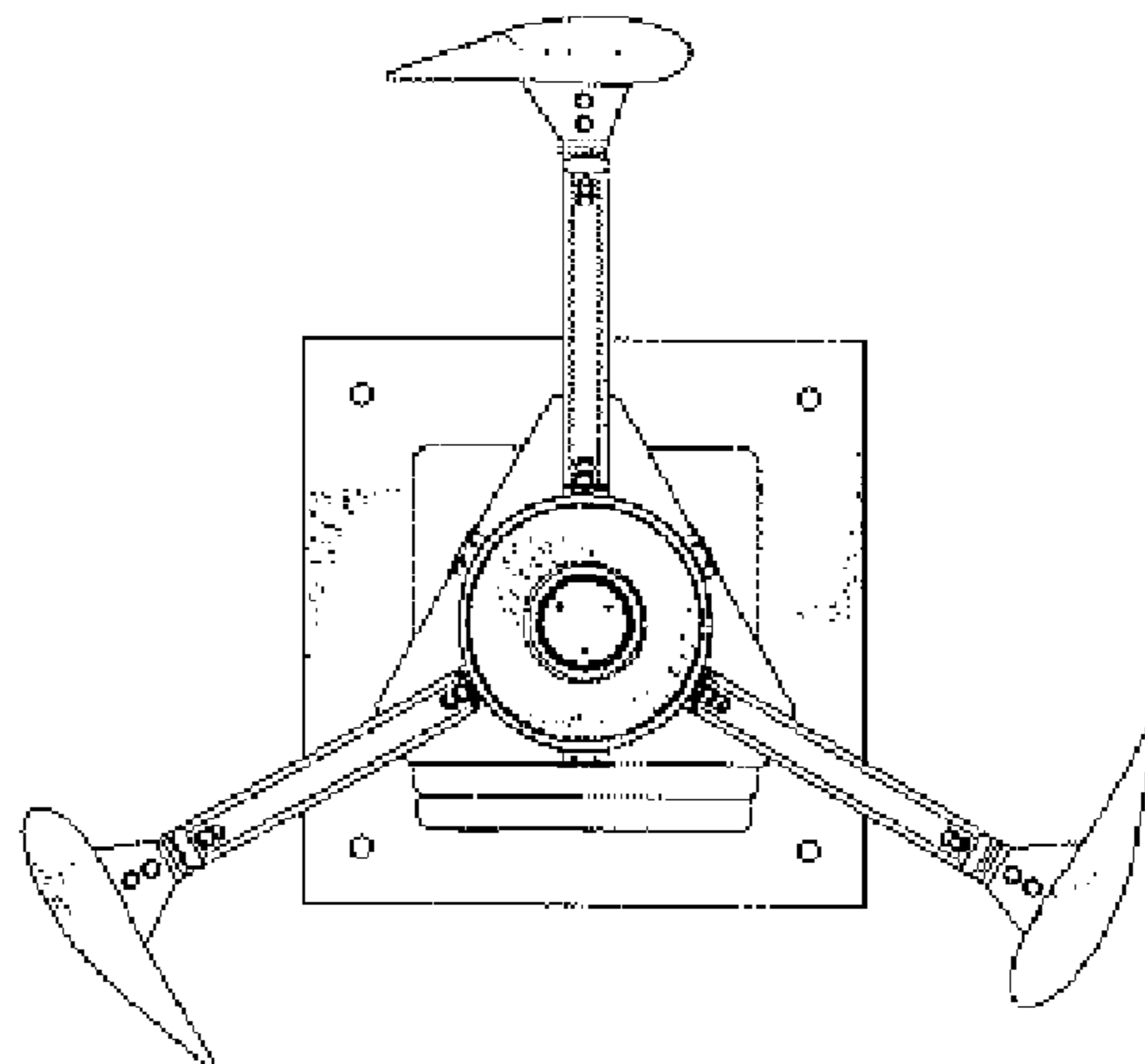


FIG. 5

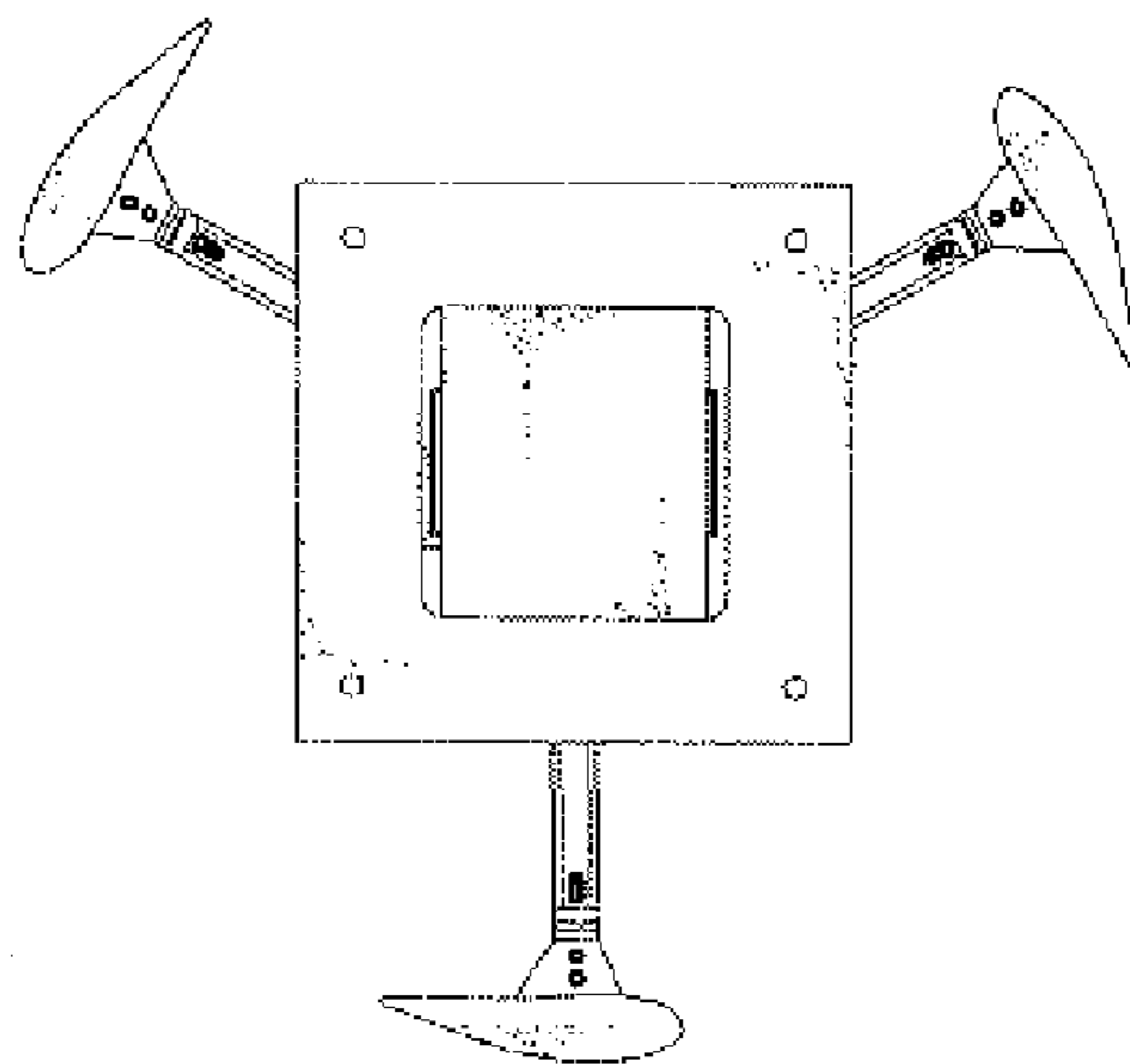


FIG. 6

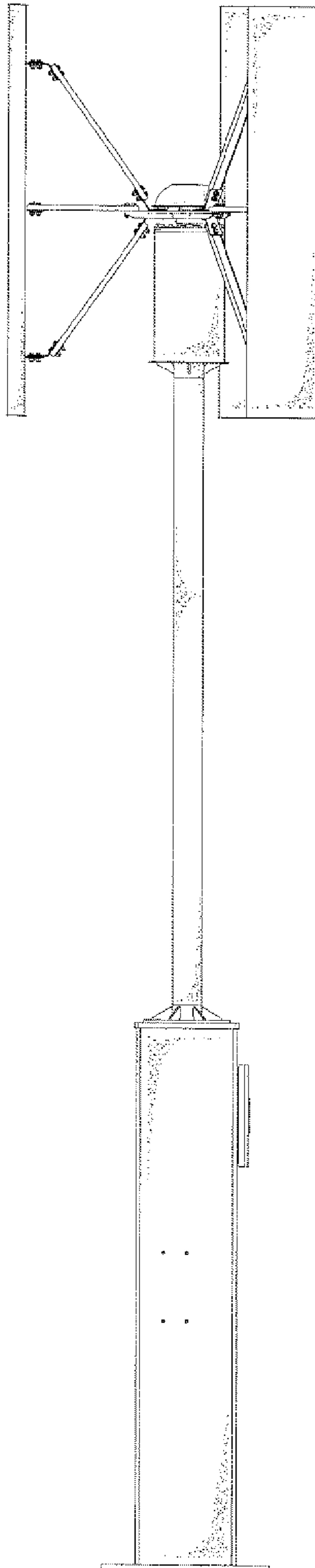


FIG. 7

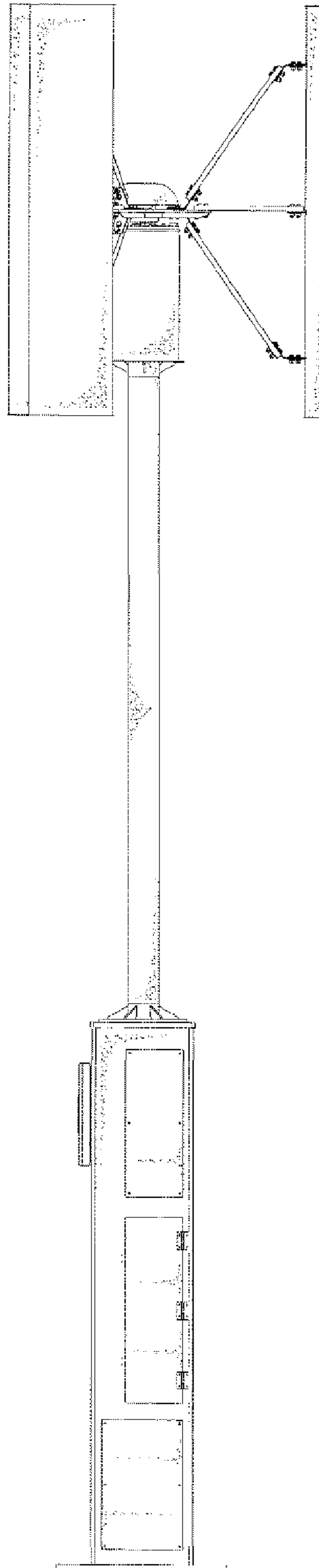


FIG. 8

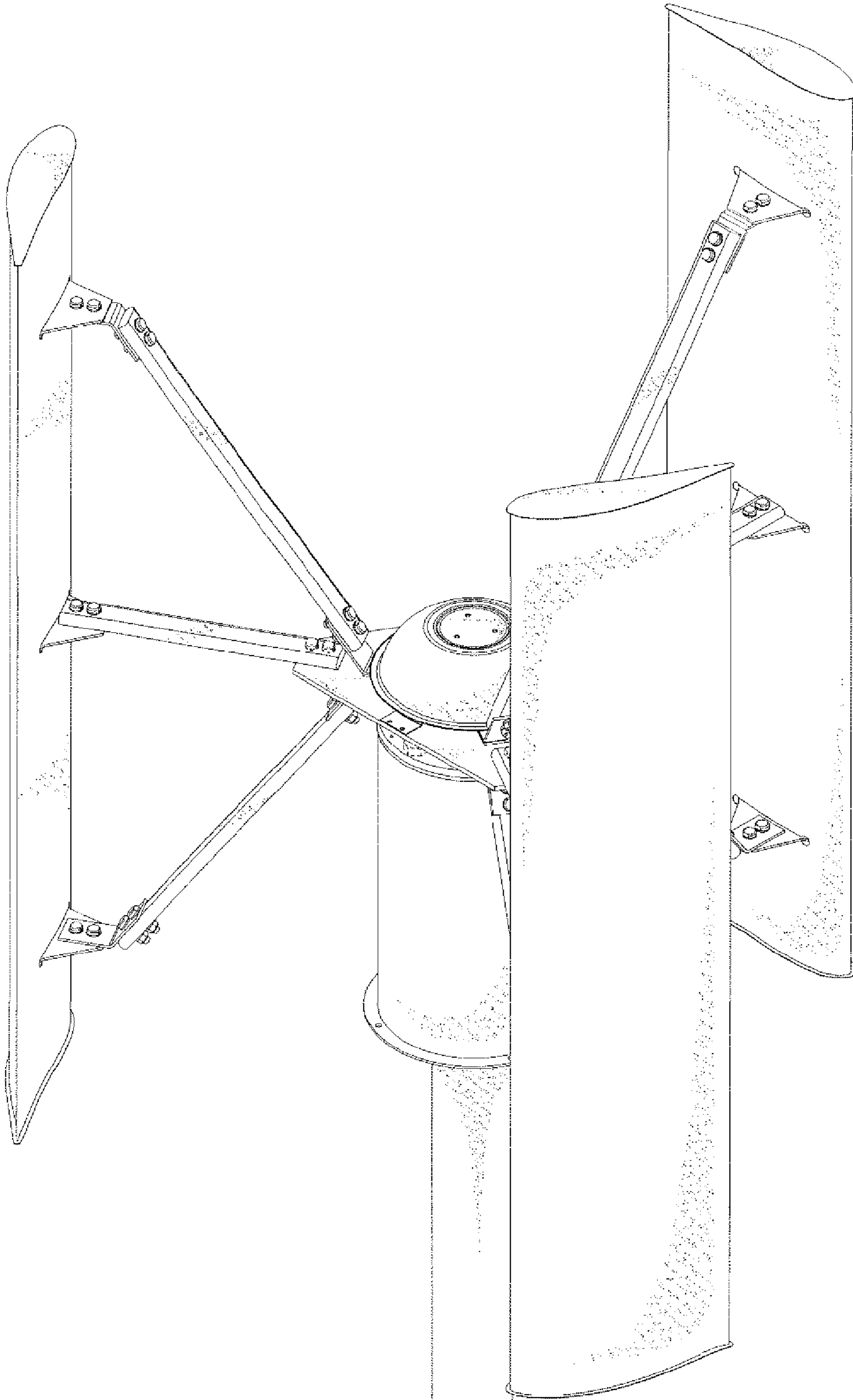


FIG. 9

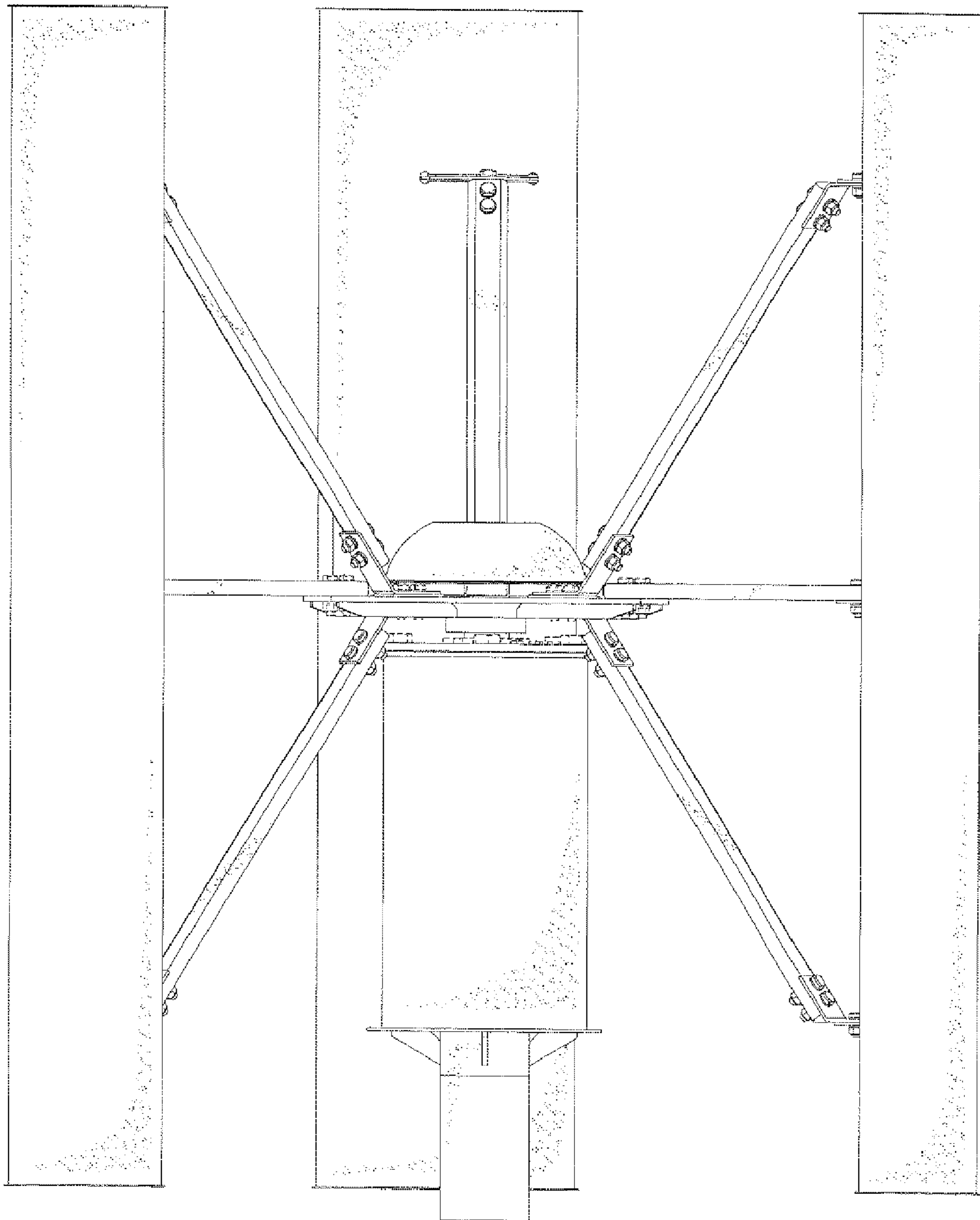


FIG. 10

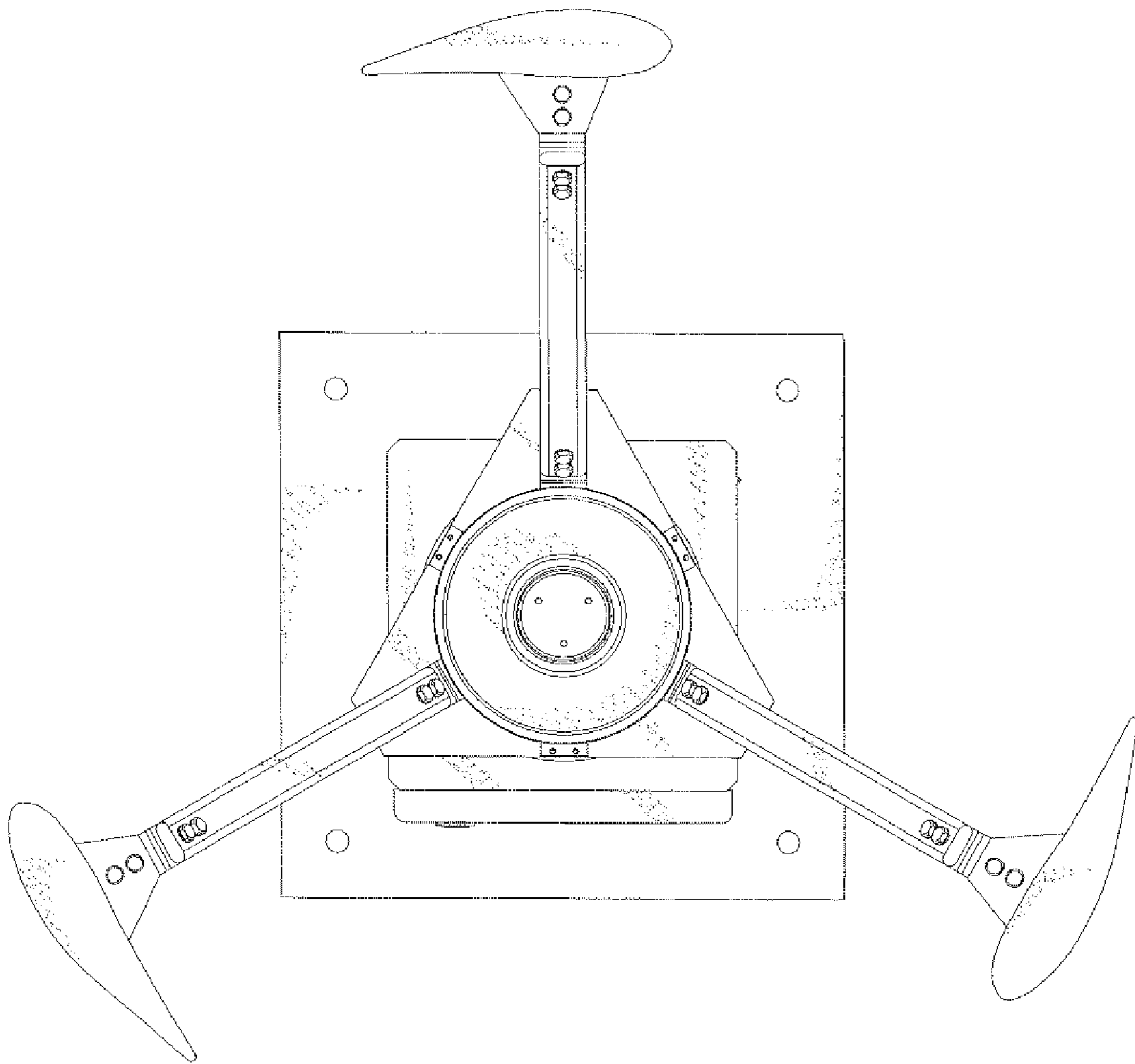


FIG. 11

