



US00D590339S

(12) **United States Design Patent**
Yang et al.

(10) **Patent No.:** **US D590,339 S**

(45) **Date of Patent:** **** Apr. 14, 2009**

(54) **CONTROLLER WITH DC BRUSHLESS MOTOR**

(75) Inventors: **Ta-Yung Yang**, Taipei (TW); **Shih-Jen Yang**, Taipei (TW); **Hung-Sen Tu**, Taipei (TW); **Ming-Wei Cheng**, Taipei (TW)

(73) Assignee: **System General Corporation**, Taipei Hsien (TW)

(**) Term: **14 Years**

(21) Appl. No.: **29/320,310**

(22) Filed: **Jun. 25, 2008**

(30) **Foreign Application Priority Data**

Apr. 25, 2008 (TW) 97302419

(51) **LOC (9) Cl.** **13-02**

(52) **U.S. Cl.** **D13/110**

(58) **Field of Classification Search** D13/110,
D13/112, 123, 162, 184, 199; 318/400.01,
318/400.3; 361/704, 717, 730, 806, 807;
363/123, 126, 129, 146

See application file for complete search history.

(56) **References Cited**

U.S. PATENT DOCUMENTS

D205,845 S * 9/1966 Parriott D13/162

D284,076 S * 6/1986 Moeller D13/184
D328,058 S * 7/1992 Suzuki et al. D13/110
D344,928 S * 3/1994 Vinciarelli et al. D13/110
D363,268 S * 10/1995 Rodriguez D13/110
5,774,353 A * 6/1998 Wieloch 363/146
6,249,435 B1 * 6/2001 Vicente et al. 361/717
D457,858 S * 5/2002 Lee D13/110
D525,194 S * 7/2006 Nagai et al. D13/110

* cited by examiner

Primary Examiner—Stella M Reid

Assistant Examiner—Derrick Holland

(57) **CLAIM**

The ornamental design for controller with DC brushless motor, as shown and described.

DESCRIPTION

FIG. 1 is a front elevation view of a controller with DC brushless motor showing our new design;

FIG. 2 is a rear elevation view thereof;

FIG. 3 is a left side view thereof;

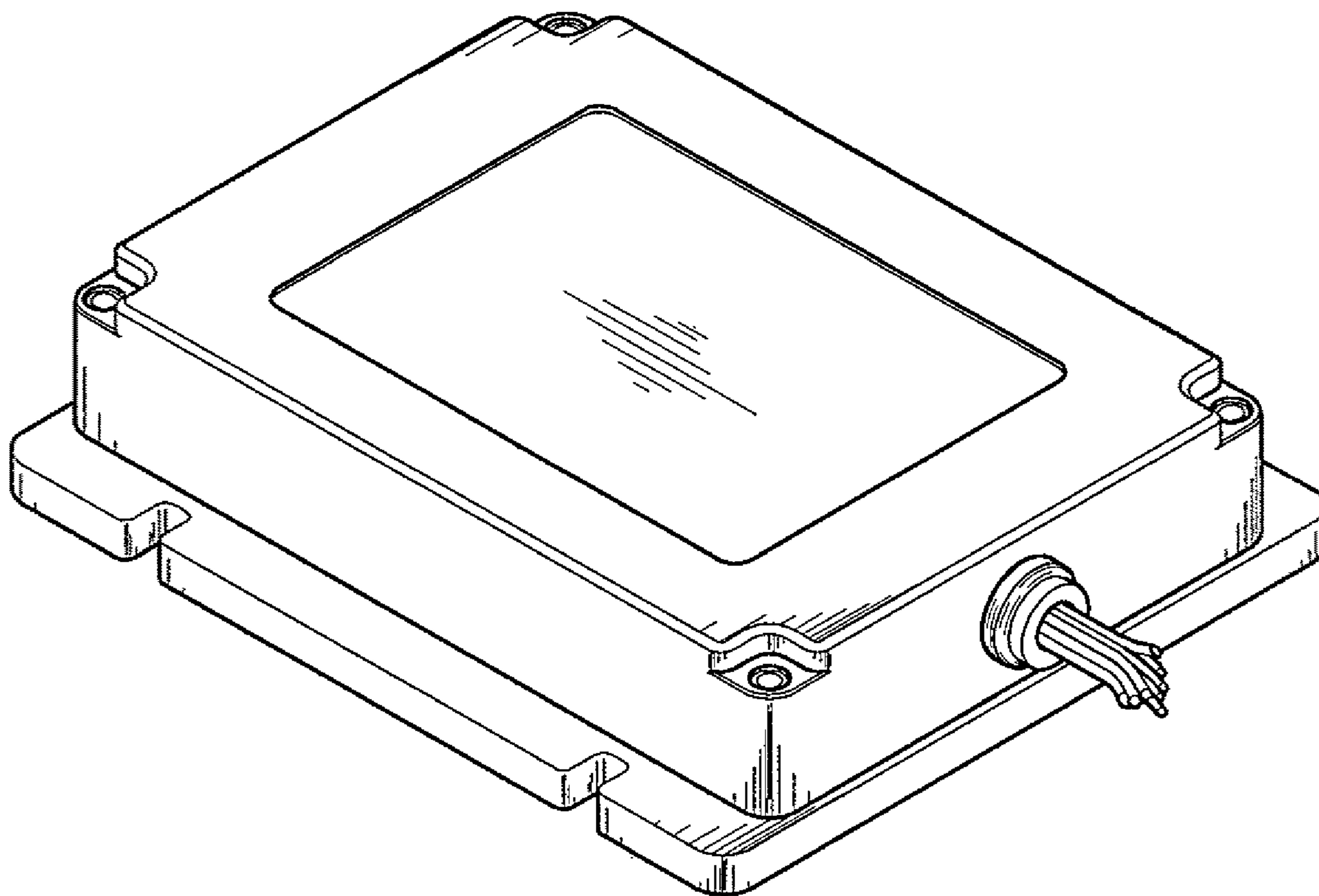
FIG. 4 is a right side view thereof;

FIG. 5 is a top plan view thereof;

FIG. 6 is a bottom plan view thereof; and,

FIG. 7 is a perspective view thereof.

1 Claim, 4 Drawing Sheets



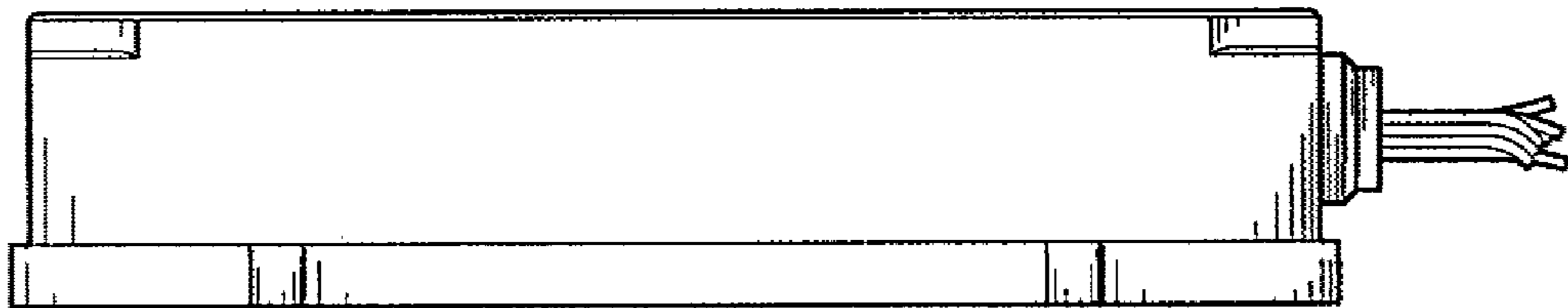


FIG. 1

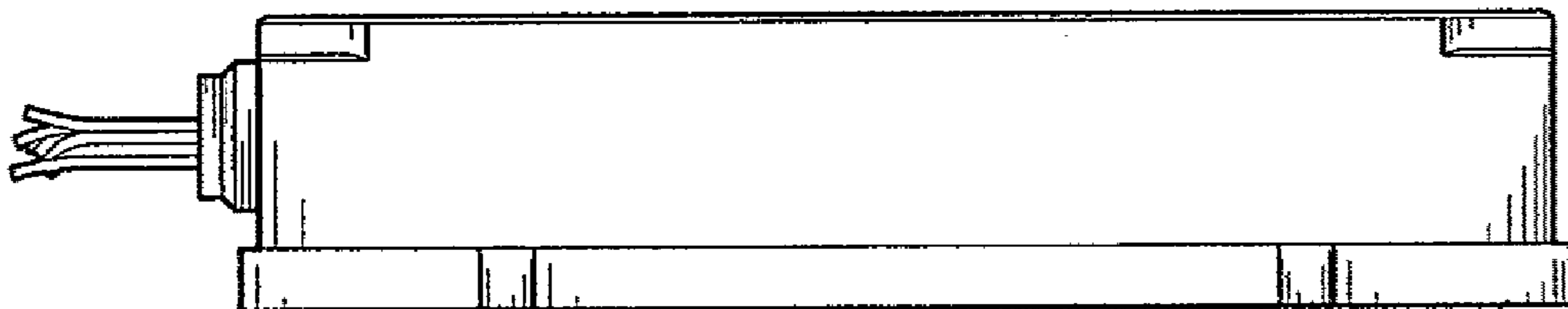


FIG. 2

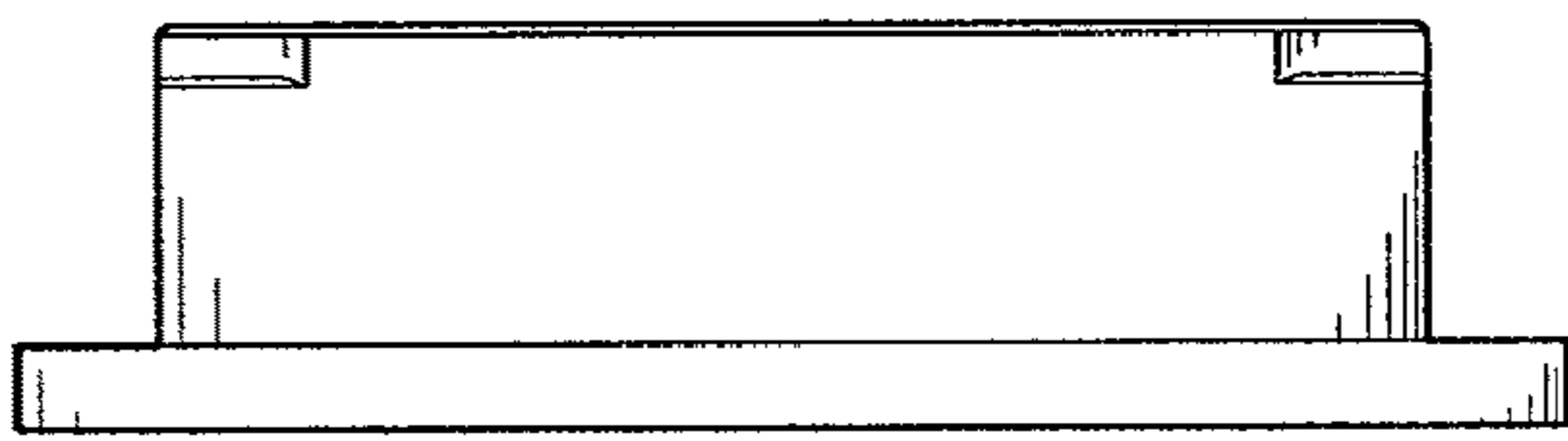


FIG. 3

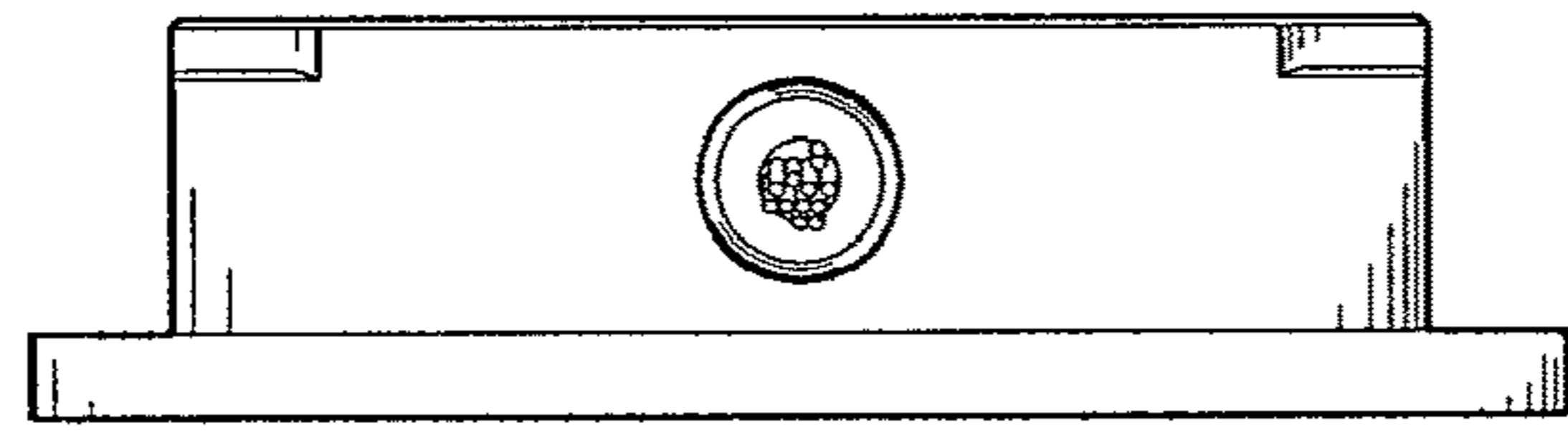


FIG. 4

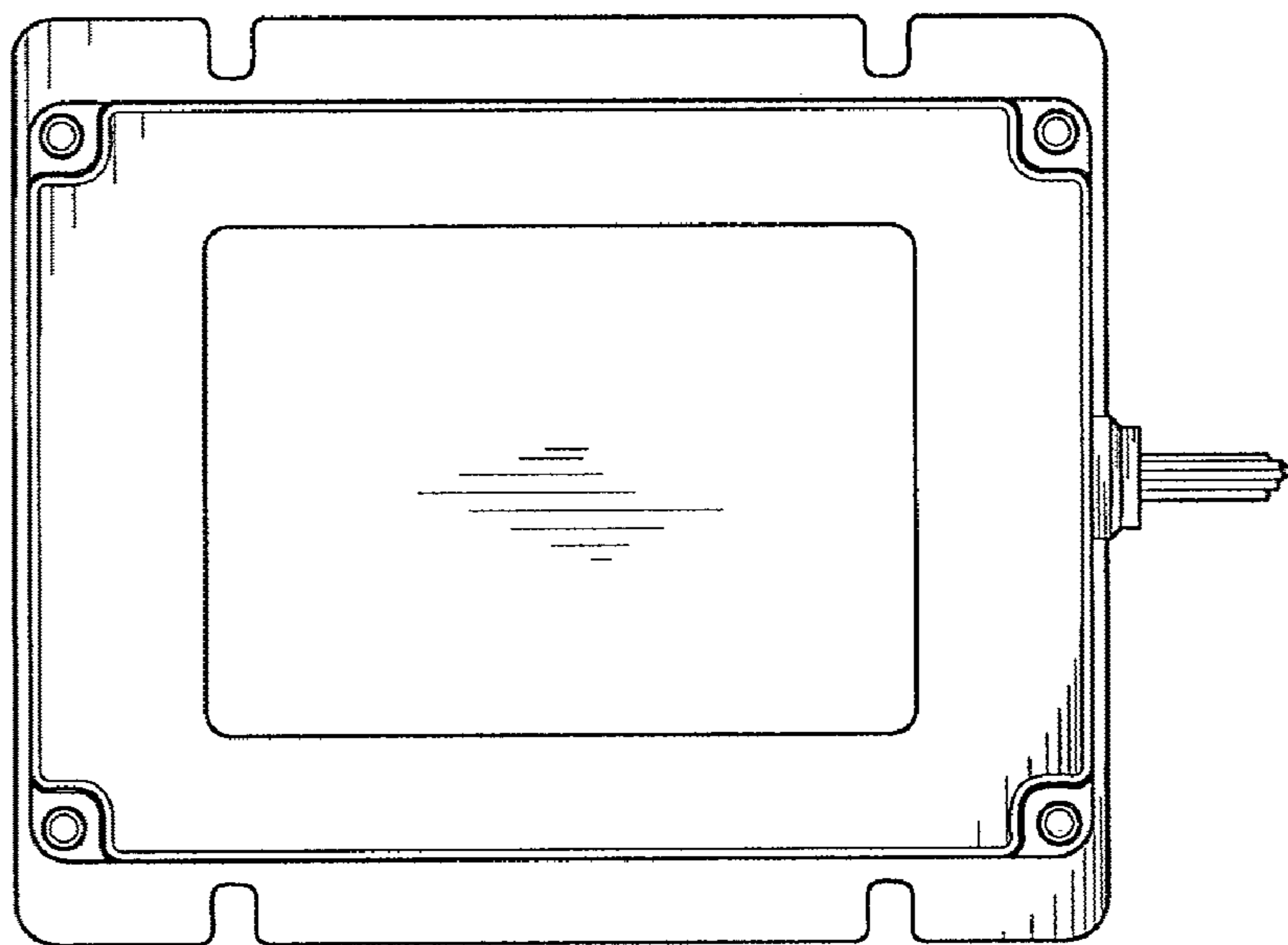


FIG. 5

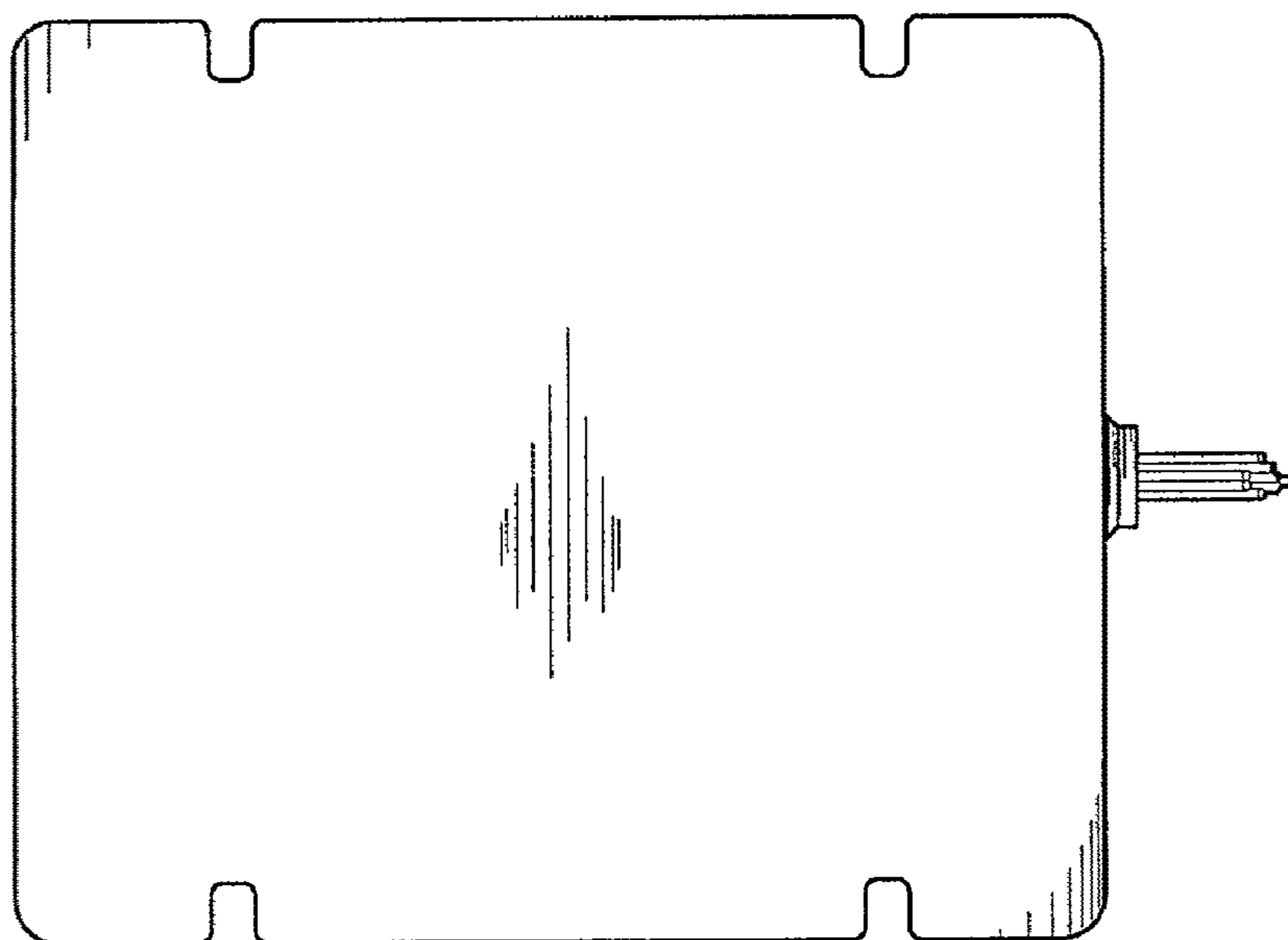


FIG. 6

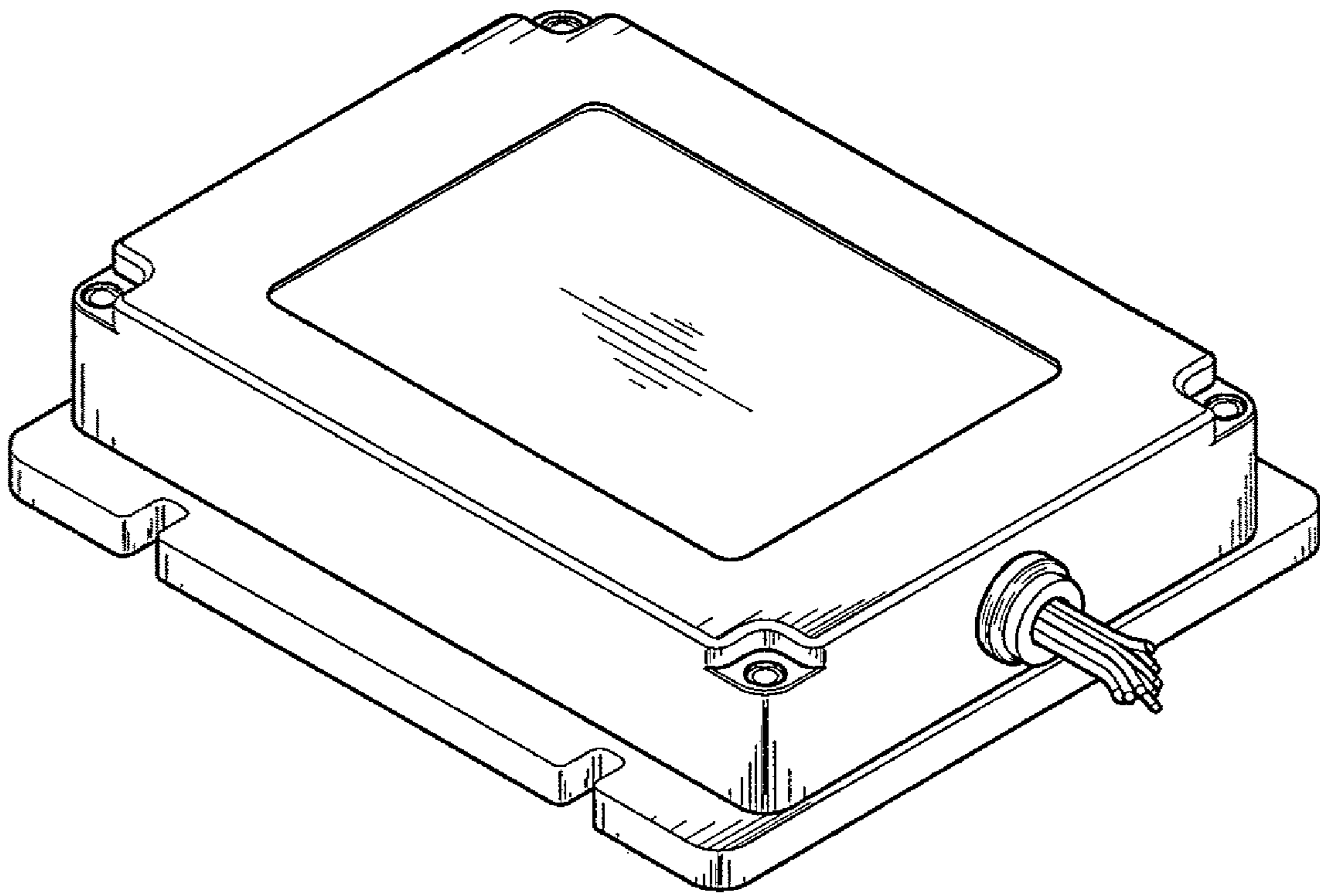


FIG. 7