



US00D590338S

(12) **United States Design Patent**  
**Guccione et al.**

(10) **Patent No.:** **US D590,338 S**  
(45) **Date of Patent:** **\*\* Apr. 14, 2009**

(54) **RECHARGEABLE PORTABLE CHARGING DEVICE**

(75) Inventors: **Darren S. Guccione**, Wheaton, IL (US);  
**Craig B. Lurey**, El Dorado Hills, CA (US)

(73) Assignee: **Callpod Inc.**, Chicago, IL (US)

(\*\*) Term: **14 Years**

(21) Appl. No.: **29/319,573**

(22) Filed: **Jun. 11, 2008**

(51) **LOC (9) Cl.** ..... **13-02**

(52) **U.S. Cl.** ..... **D13/107**

(58) **Field of Classification Search** ..... D13/107–110,  
D13/118–119, 184; D14/251, 253, 432,  
D14/434; 320/107–115

See application file for complete search history.

(56) **References Cited**

**U.S. PATENT DOCUMENTS**

D413,567 S \* 9/1999 Person et al. .... D13/110  
D479,195 S \* 9/2003 Krieger et al. .... D13/110  
D503,676 S \* 4/2005 Krieger et al. .... D13/110  
D503,679 S \* 4/2005 Andre et al. .... D13/110

**OTHER PUBLICATIONS**

“Lenovo all-in-one laptop and mobile device charger”, <http://gizmag.com/lenovo-laptop-mobile-device-charger/8774/>.

“Review: Proporta USB Mobile Device Charger”, <http://www.ap-plematters.com/article/review-proporta-usb-mobile-device-charger>.

\* cited by examiner

*Primary Examiner*—Jennifer Rivard

*Assistant Examiner*—Rosemary K Tarcza

(74) *Attorney, Agent, or Firm*—Levenfeld Pearlstein, LLC

(57) **CLAIM**

The ornamental design for a rechargeable portable charging device, as shown and described.

**DESCRIPTION**

FIG. 1 is a front, top perspective view of a rechargeable portable charging device;

FIG. 2 is a top view thereof;

FIG. 3 is a bottom view thereof;

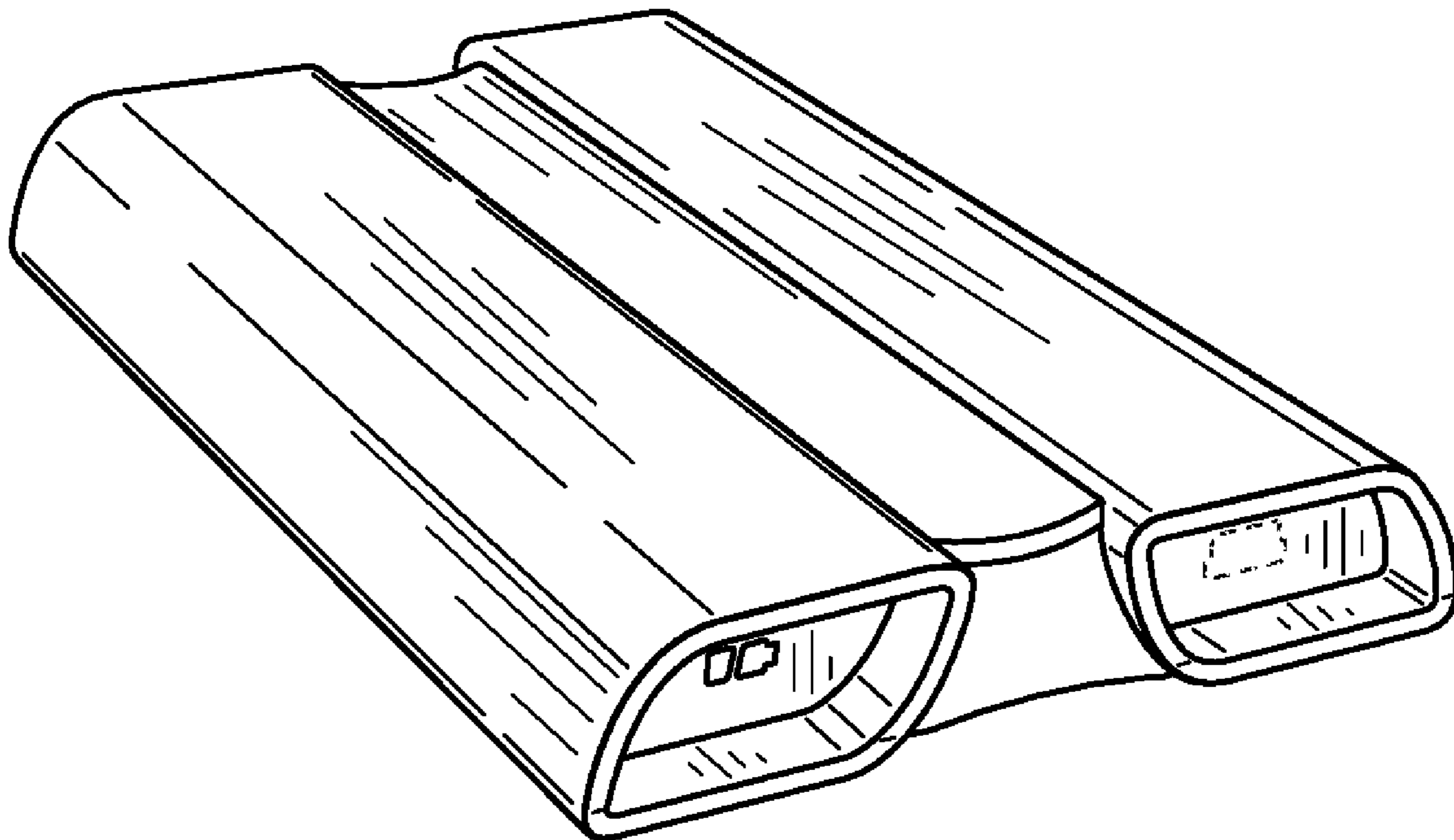
FIG. 4 is a front view thereof;

FIG. 5 is a rear view thereof; and,

FIG. 6 is a side view thereof as seen from the left-hand side of FIG. 1, the opposite side view being a mirror image thereof.

The device being shown with ports in phantom lines in FIGS. 1, 4 and 5 that form no part of the claimed design.

**1 Claim, 1 Drawing Sheet**



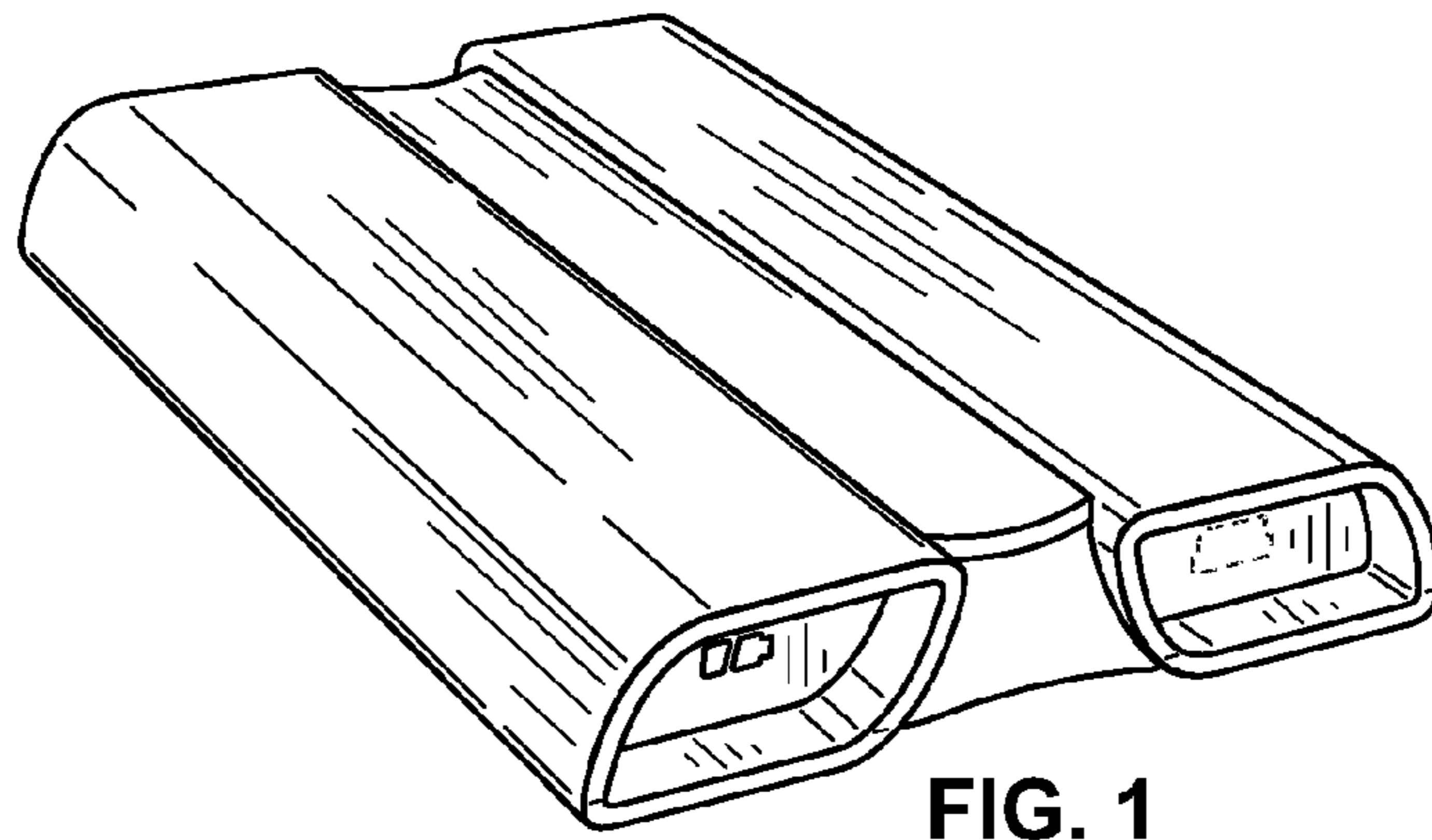


FIG. 1

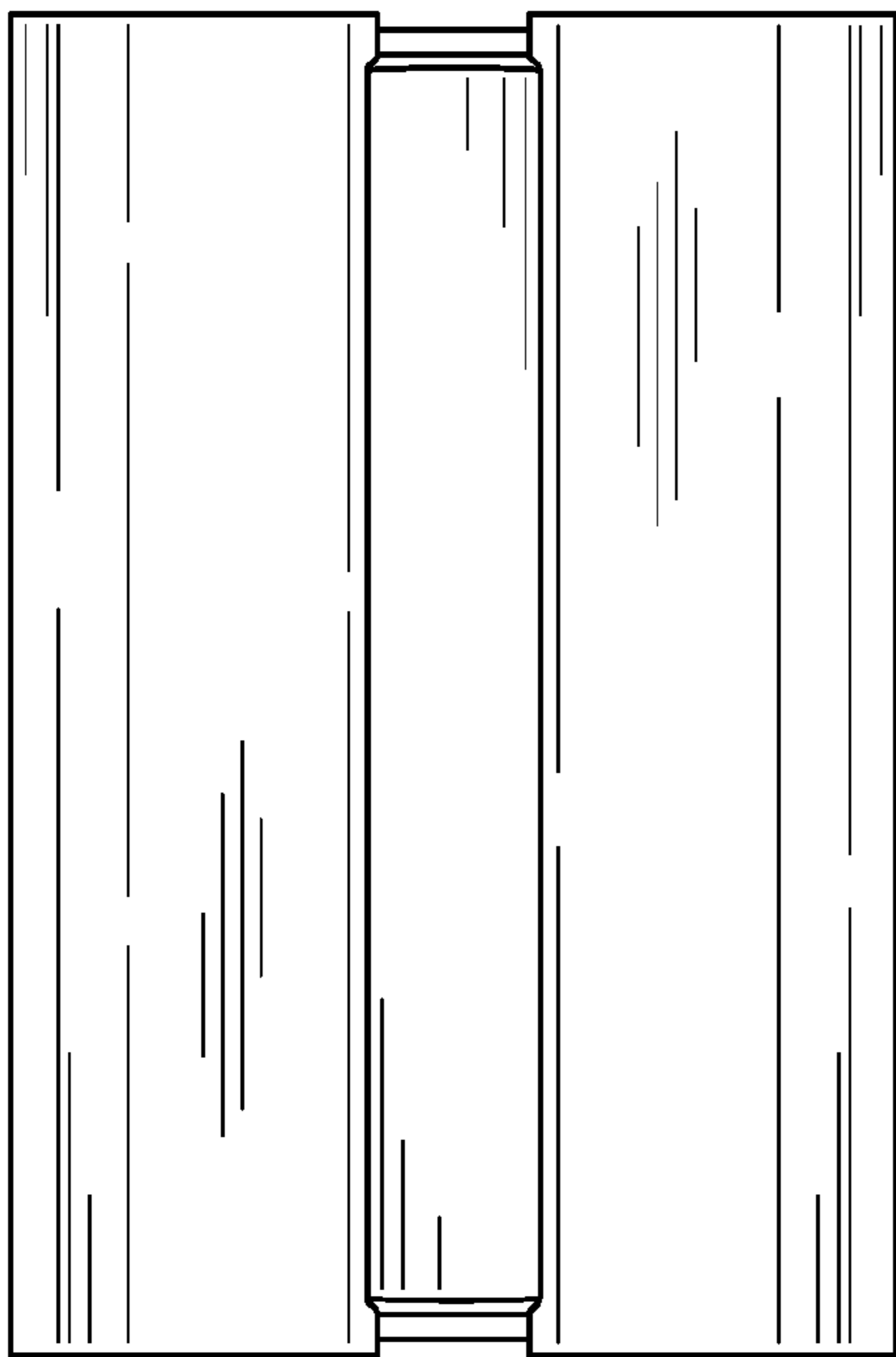


FIG. 2

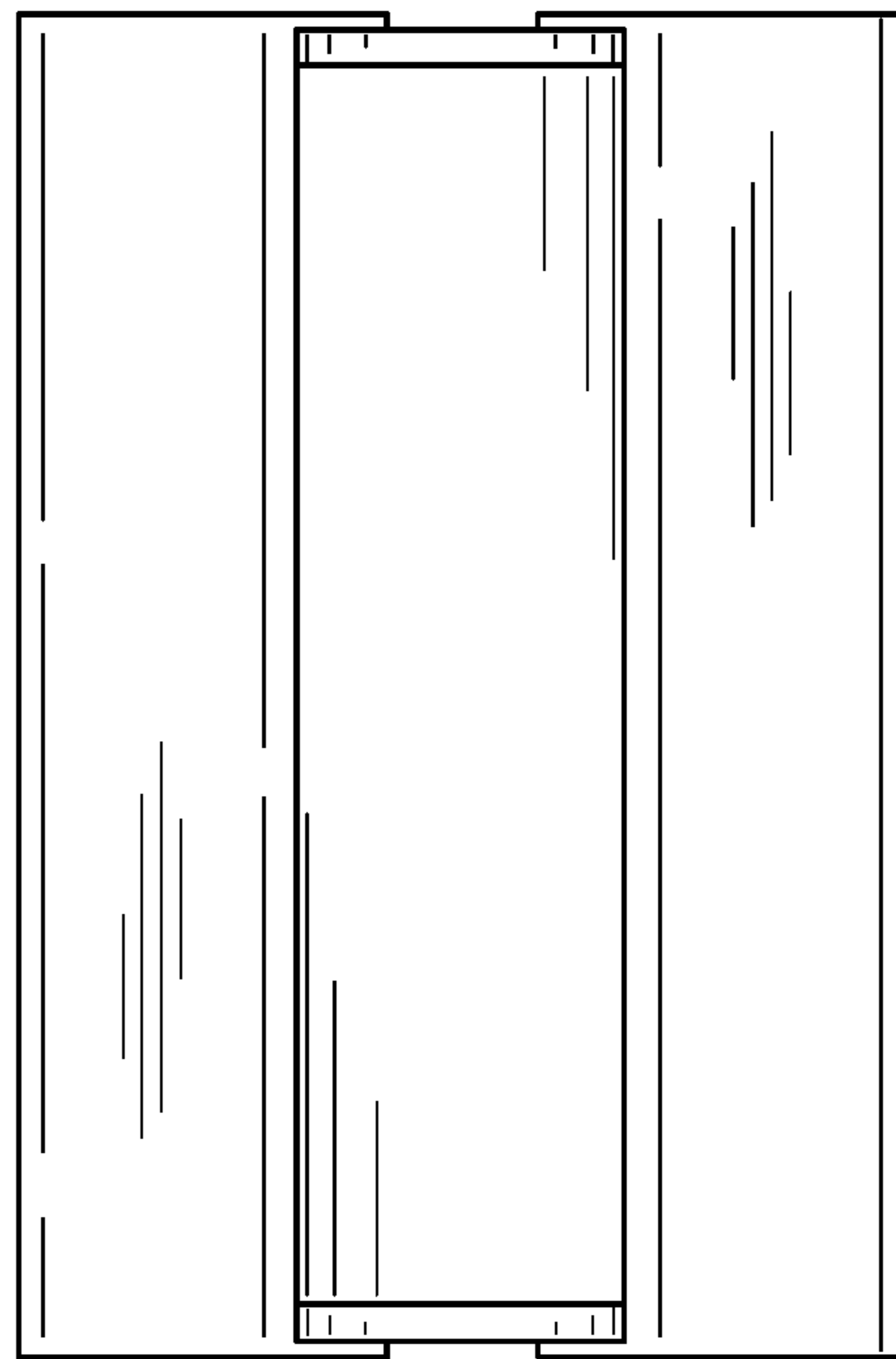


FIG. 3

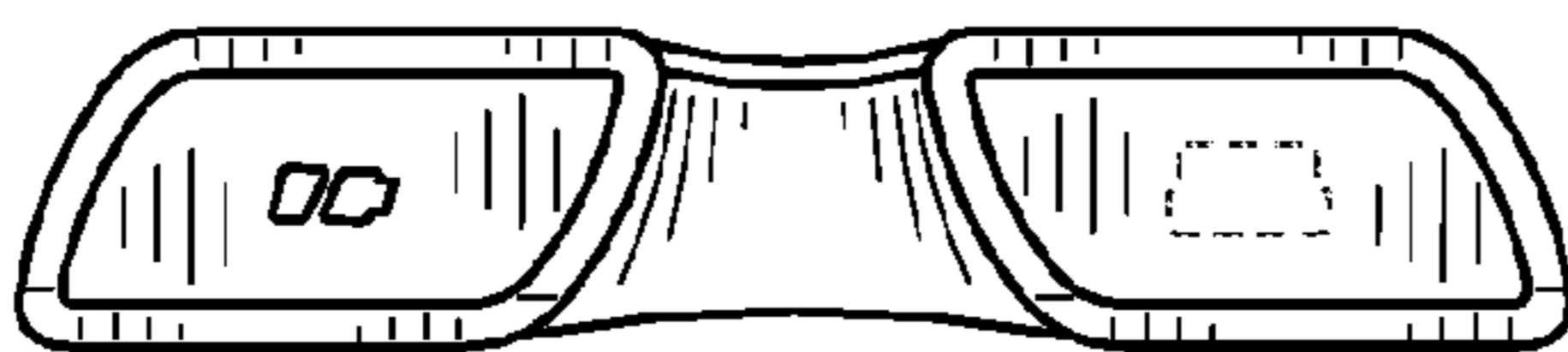


FIG. 4

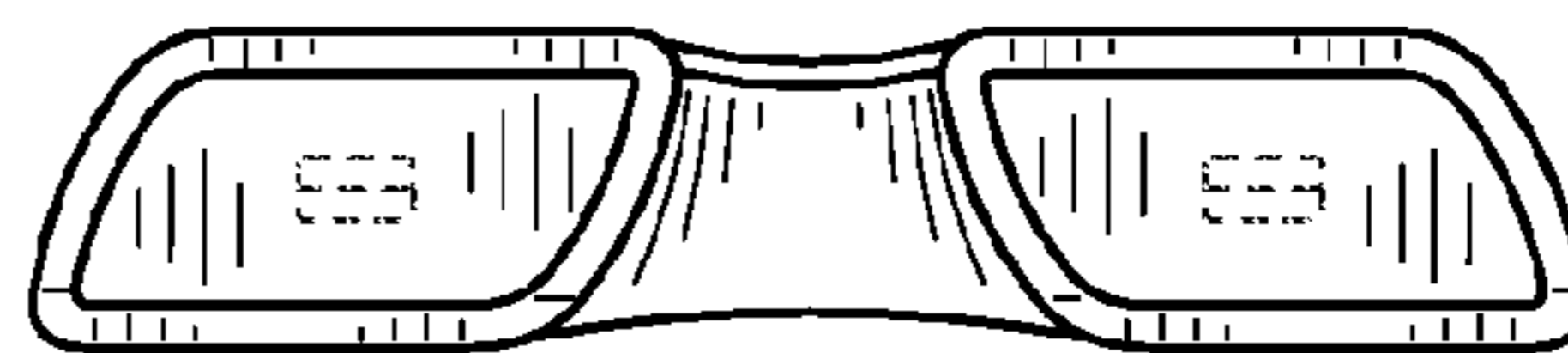


FIG. 5

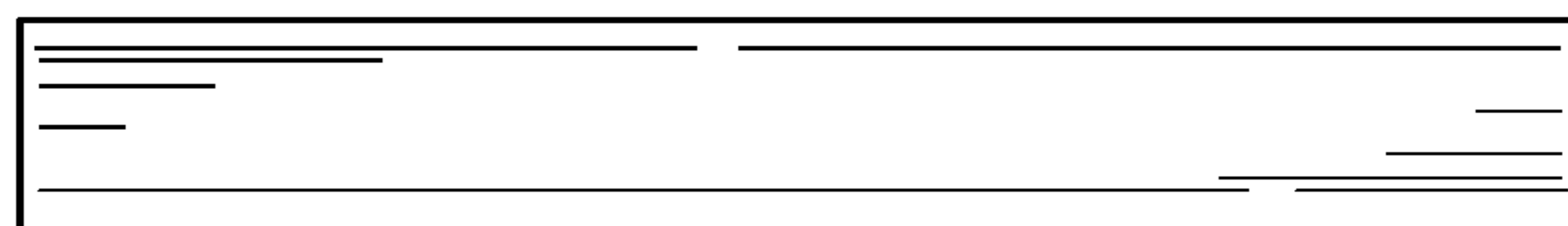


FIG. 6