



US00D590336S

(12) **United States Design Patent**
Tatehata et al.

(10) **Patent No.:** **US D590,336 S**

(45) **Date of Patent:** **** Apr. 14, 2009**

(54) **RECHARGEABLE BATTERY**

(75) Inventors: **Shouji Tatehata**, Fukushima (JP);
Akiko Hikita, Tokyo (JP)

(73) Assignee: **Sony Corporation**, Tokyo (JP)

(**) Term: **14 Years**

(21) Appl. No.: **29/300,684**

(22) Filed: **Apr. 25, 2008**

(30) **Foreign Application Priority Data**

Jan. 23, 2008 (JP) D2008-001248

(51) **LOC (9) Cl.** **13-02**

(52) **U.S. Cl.** **D13/103**

(58) **Field of Classification Search** D13/102-106,
D13/110, 118-121, 184; 429/96-100, 163,
429/176

See application file for complete search history.

(56) **References Cited**

U.S. PATENT DOCUMENTS

- 1,075,556 A * 10/1913 Fenoughty 429/99
- D243,618 S * 3/1977 Kaye D13/103
- D250,529 S 12/1978 Kaye
- D356,776 S 3/1995 Yoshii
- D362,424 S 9/1995 Sumita et al.
- D370,201 S * 5/1996 Okano et al. D13/103
- D377,477 S 1/1997 Harata et al.
- 5,736,271 A * 4/1998 Cisar et al. 429/96
- D400,493 S * 11/1998 Witkowski et al. D13/103
- D417,187 S 11/1999 Maeyama
- D417,188 S 11/1999 Maeyama
- D428,384 S 7/2000 Maeyama
- 6,447,949 B2 * 9/2002 Iwata et al. 429/185
- D480,682 S 10/2003 Kawase
- D481,995 S 11/2003 Yokota
- D486,784 S 2/2004 Kawasaki

- D509,182 S * 9/2005 Takeshita et al. D13/103
- D516,019 S * 2/2006 Ohsako et al. D13/103
- D516,503 S * 3/2006 Takeshita et al. D13/103
- D529,437 S 10/2006 Miyashita et al.
- D538,222 S * 3/2007 Curello et al. D13/103
- D544,438 S * 6/2007 Hussaini et al. D13/110
- D548,684 S * 8/2007 Eto et al. D13/103
- D559,176 S 1/2008 Ueda
- D561,687 S * 2/2008 Sween et al. D13/110
- D568,244 S 5/2008 Suzuki et al.

FOREIGN PATENT DOCUMENTS

JP D1290911 S 1/2007

OTHER PUBLICATIONS

Web Page Press Release "NP-BG1" <http://www.sony.jp/CorporateCruise/Press/200511/05-1101B/>, 5 pages, Sony (Nov. 2005).

* cited by examiner

Primary Examiner—Jennifer Rivard

Assistant Examiner—Rosemary K Tarcza

(74) *Attorney, Agent, or Firm*—Rader, Fishman & Grauer, PLLC

(57) **CLAIM**

The ornamental design for a rechargeable battery, as shown.

DESCRIPTION

FIG. 1 is a perspective view of a rechargeable battery showing our new design;

FIG. 2 is a front elevational view thereof;

FIG. 3 is a rear elevational view thereof;

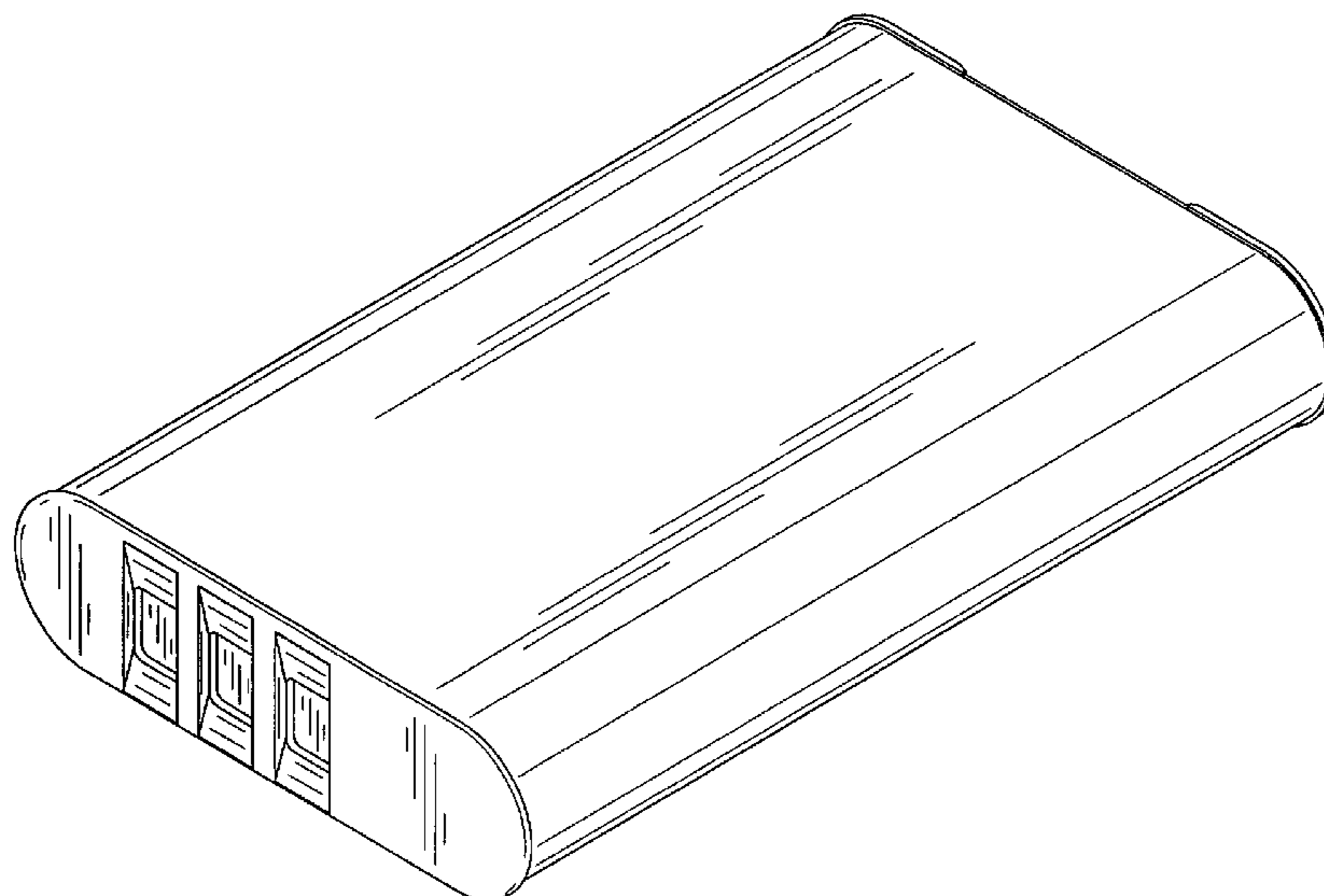
FIG. 4 is a left side elevational view thereof;

FIG. 5 is a right side elevational view thereof;

FIG. 6 is a top plan view thereof; and,

FIG. 7 is a bottom plan view thereof.

1 Claim, 7 Drawing Sheets



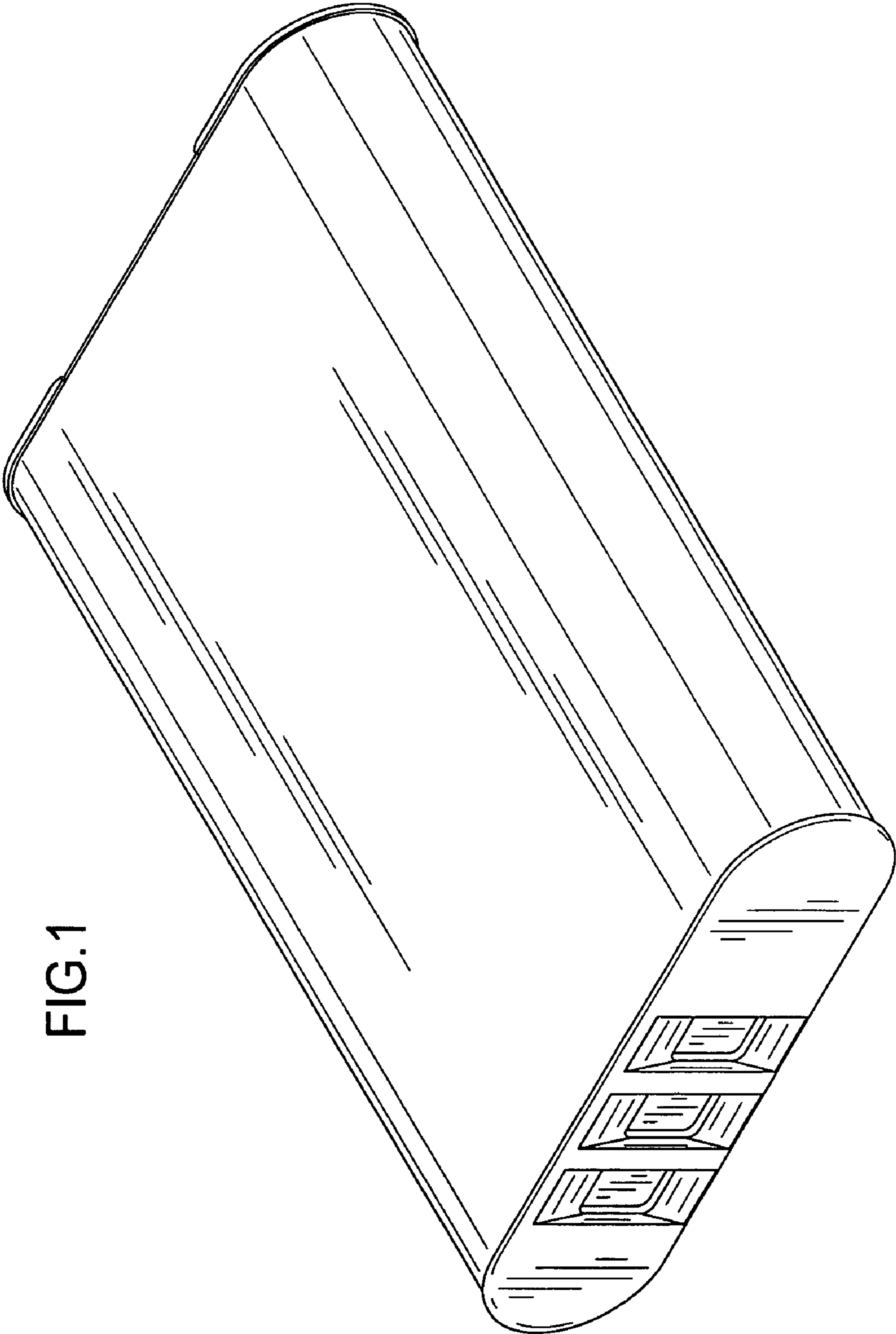


FIG.1

FIG.2

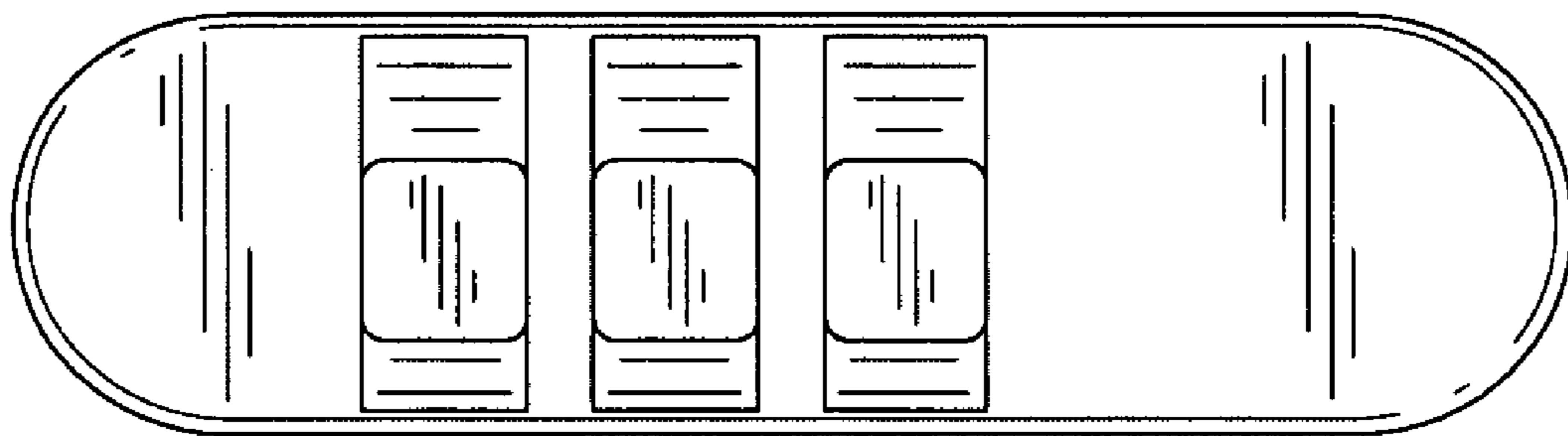


FIG.3

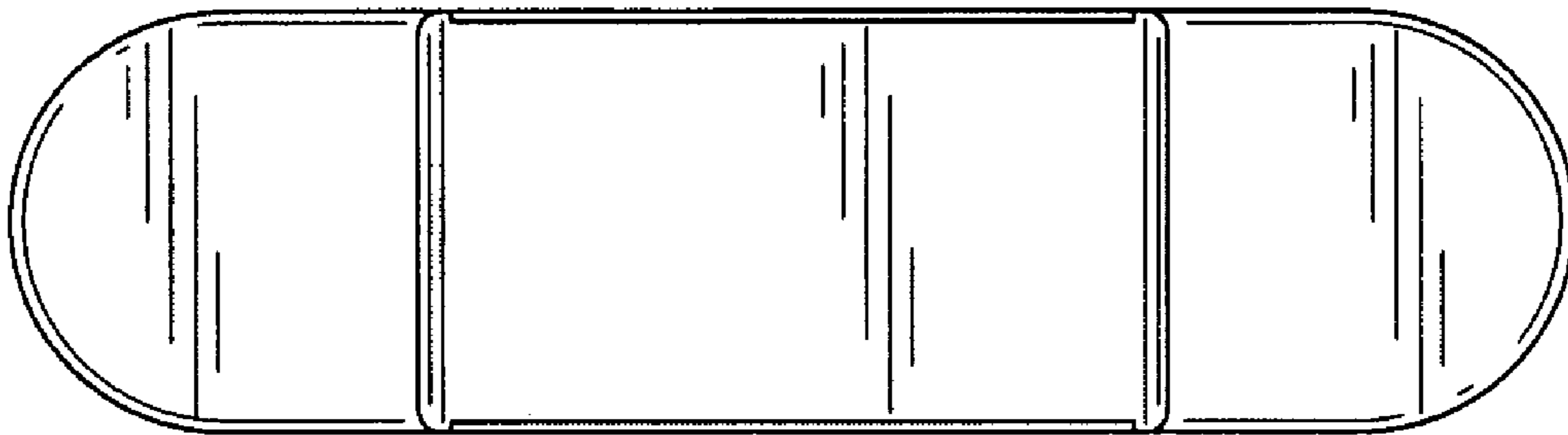


FIG.4

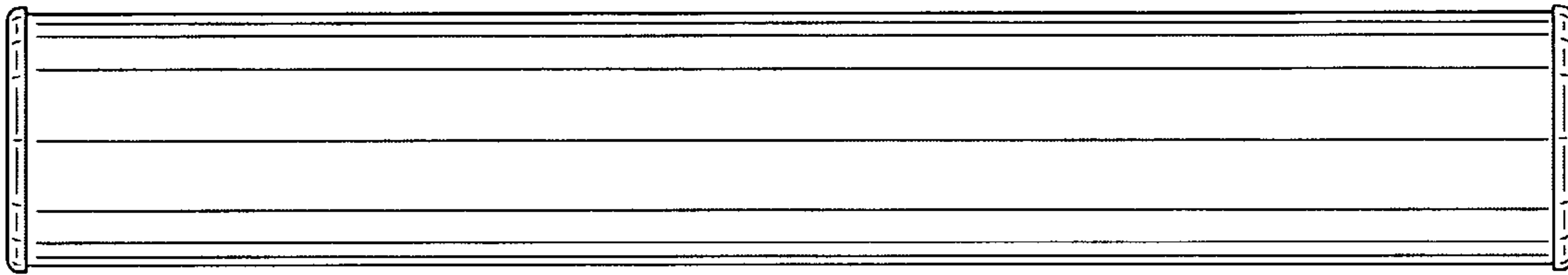


FIG.5

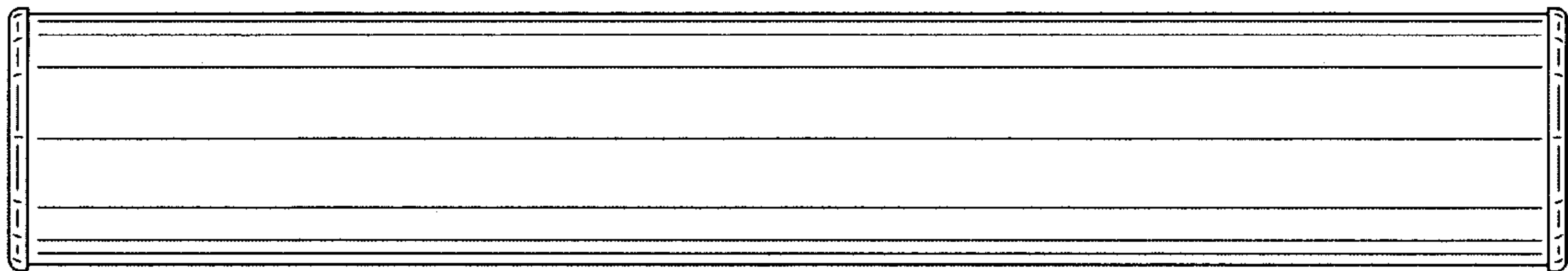


FIG.6

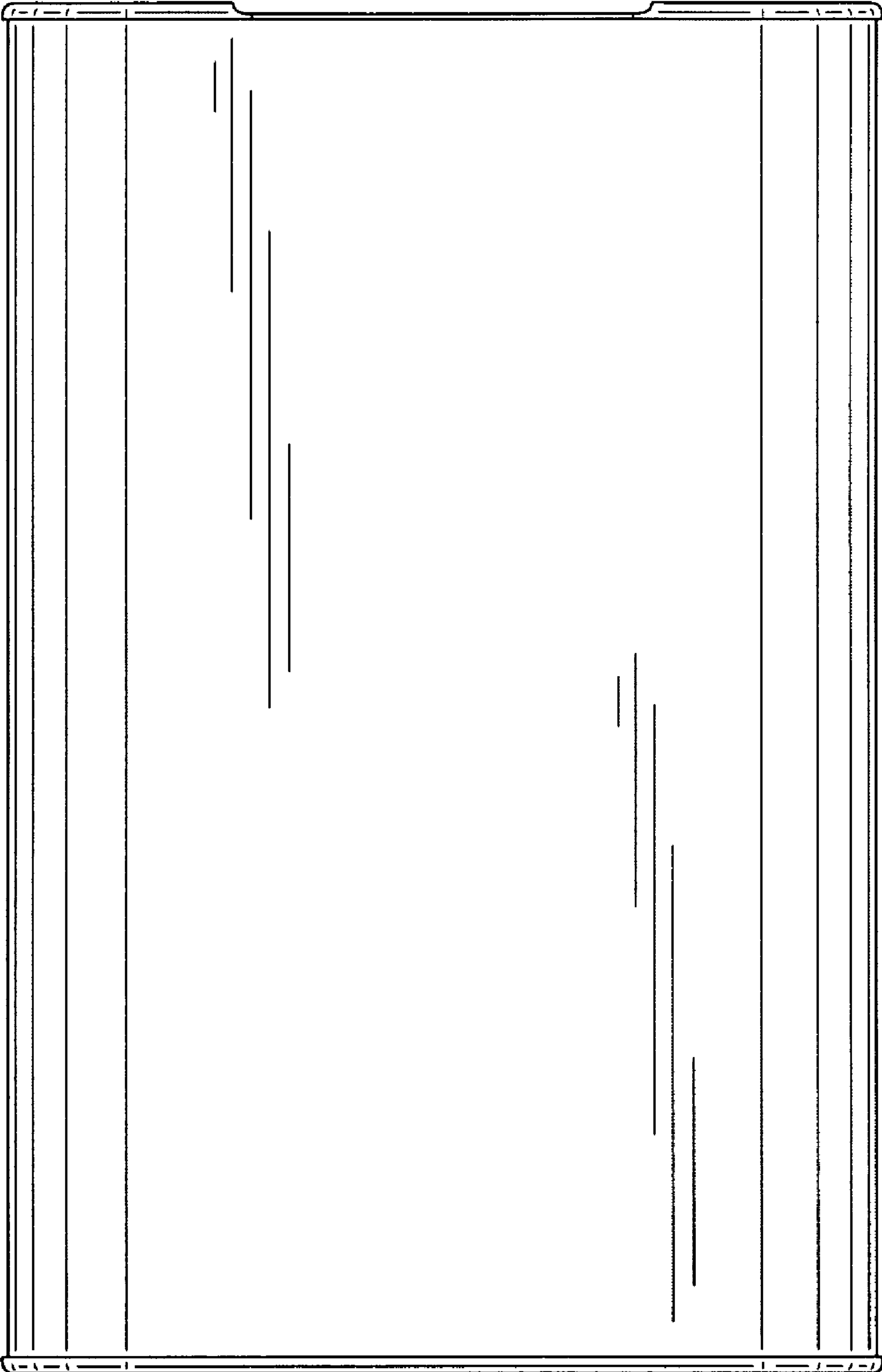


FIG.7

