



US00D590324S

(12) **United States Design Patent**
Marvin et al.

(10) **Patent No.:** **US D590,324 S**

(45) **Date of Patent:** **** Apr. 14, 2009**

(54) **HAND HELD AUXILIARY SAIL**

5,372,081 A * 12/1994 Mayer 114/102.11
D393,293 S * 4/1998 Romswinkel D21/445
6,986,318 B2 * 1/2006 Sawyer 114/102.1

(76) Inventors: **Richard T. Marvin**, P.O. Box 1318,
Hanalei, HI (US) 96714; **Wylie Hurd**,
P.O. Box 1318, Hanalei, HI (US) 96714;
Amy J. Marvin, P.O. box 1318, Hanalei,
HI (US) 96714

* cited by examiner

Primary Examiner—Holly H Baynham
Assistant Examiner—Cynthia M Chin
(74) *Attorney, Agent, or Firm*—Edward E. Roberts

(**) Term: **14 Years**

(21) Appl. No.: **29/301,052**

(57) **CLAIM**

(22) Filed: **Feb. 8, 2008**

The ornamental design for a hand held auxiliary sail, as shown and described.

(51) **LOC (9) Cl.** **12-06**

(52) **U.S. Cl.** **D12/317**

(58) **Field of Classification Search** D12/300,
D12/303, 304, 317; 114/102.1, 102.11, 102.13,
114/102.15, 102.16, 102.22, 102.29, 39.18;
D21/445, 449; 280/810

DESCRIPTION

See application file for complete search history.

FIG. 1 is a perspective view of the hand held auxiliary sail of our new design;

FIG. 2 is a front elevational view thereof;

FIG. 3 is a rear elevational view thereof;

FIG. 4 is a left side elevational view thereof;

FIG. 5 is a right side elevational view thereof;

FIG. 6 is a top plan view thereof; and,

FIG. 7 is a bottom plan view thereof.

The broken lines shown in FIGS. 1–7 are for illustrative purposes only and form no part of the claimed design.

(56) **References Cited**

U.S. PATENT DOCUMENTS

3,924,870 A * 12/1975 Spivack et al. 280/810
4,269,133 A * 5/1981 Brown 114/102.11
4,651,665 A * 3/1987 Drake 114/102.11
4,712,498 A * 12/1987 Oser 114/39.18
4,978,140 A * 12/1990 Babson 280/810
D338,927 S * 8/1993 Burke et al. D21/453

1 Claim, 3 Drawing Sheets

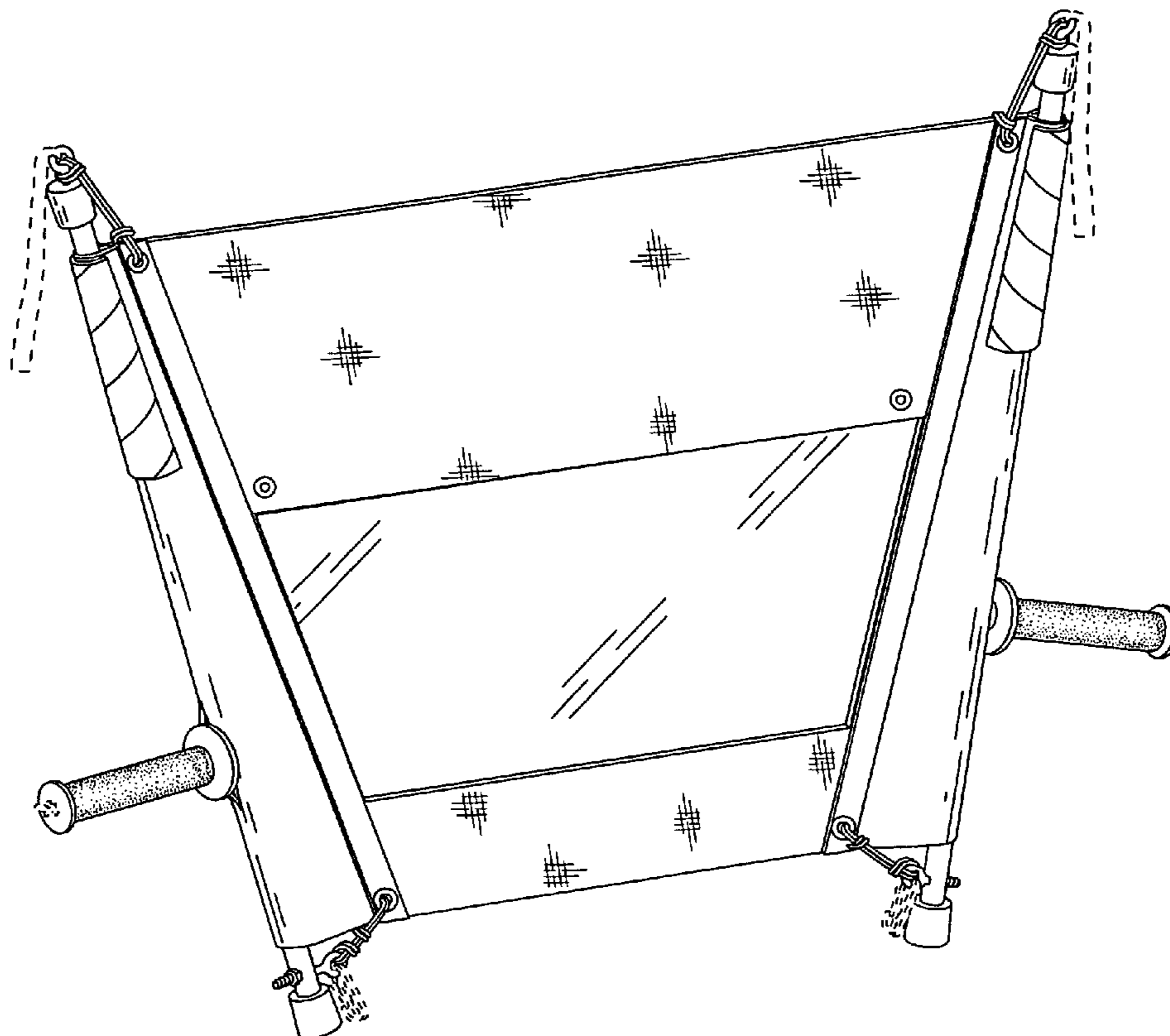


Fig. 1

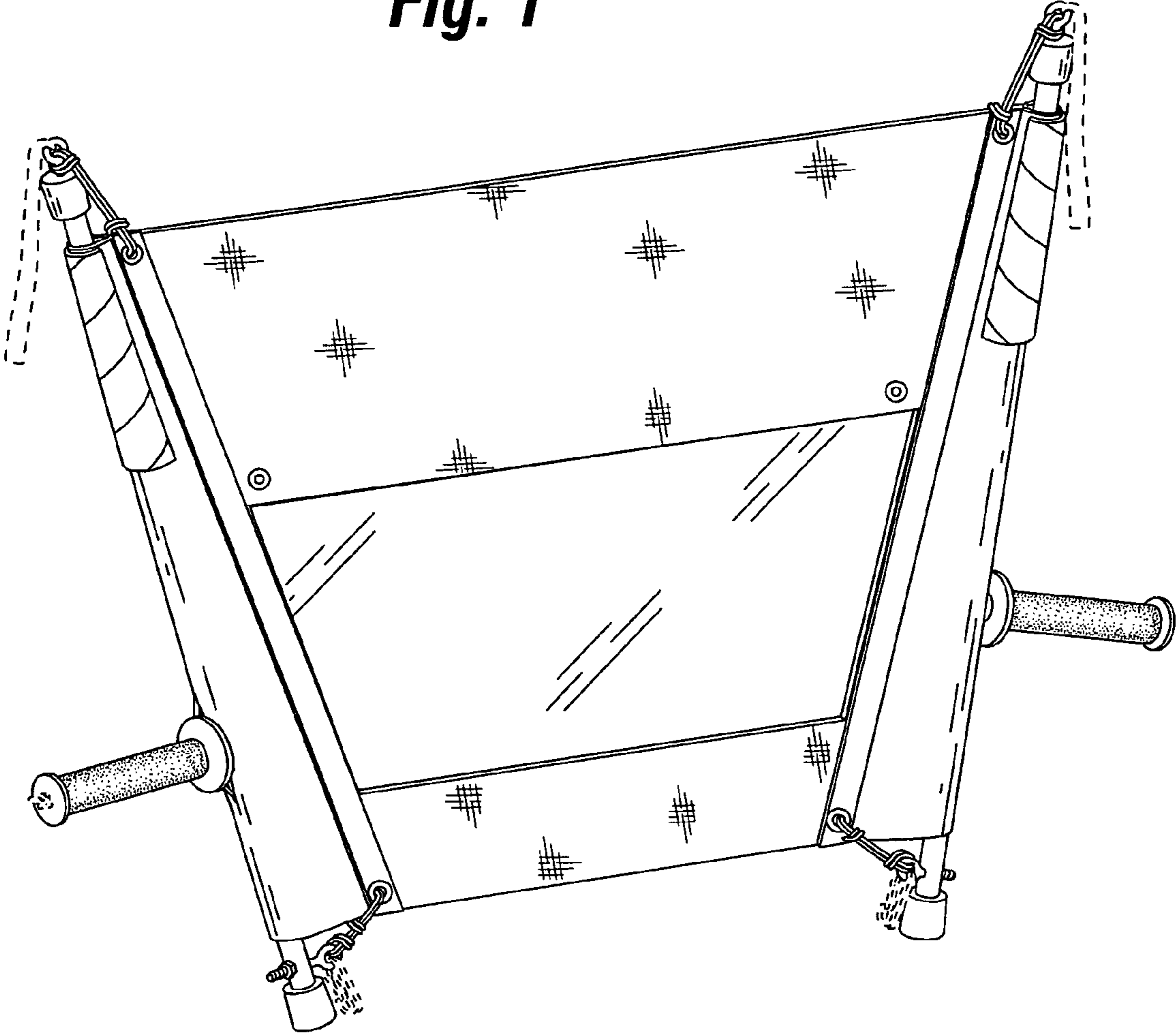


Fig. 2

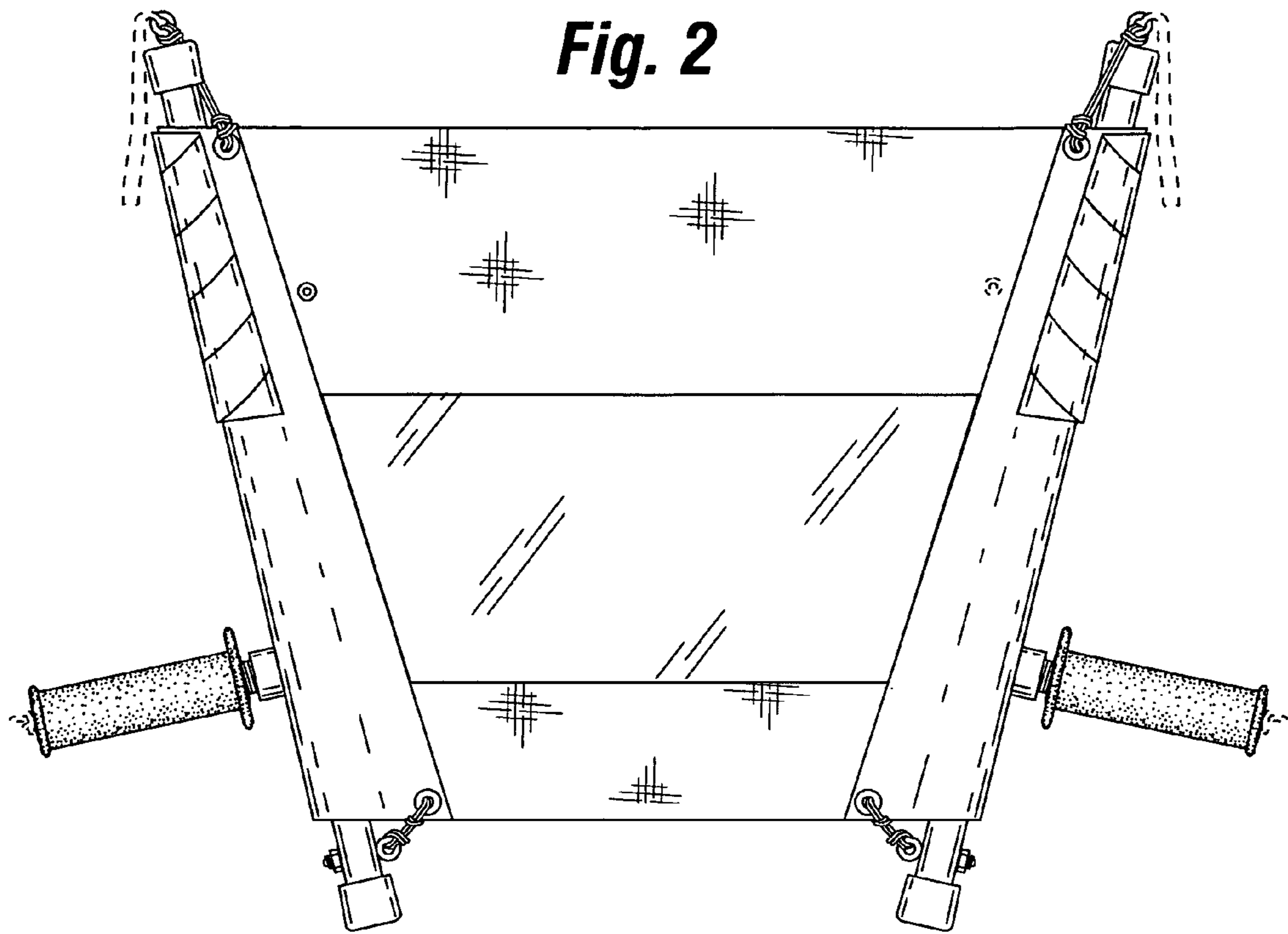


Fig. 3

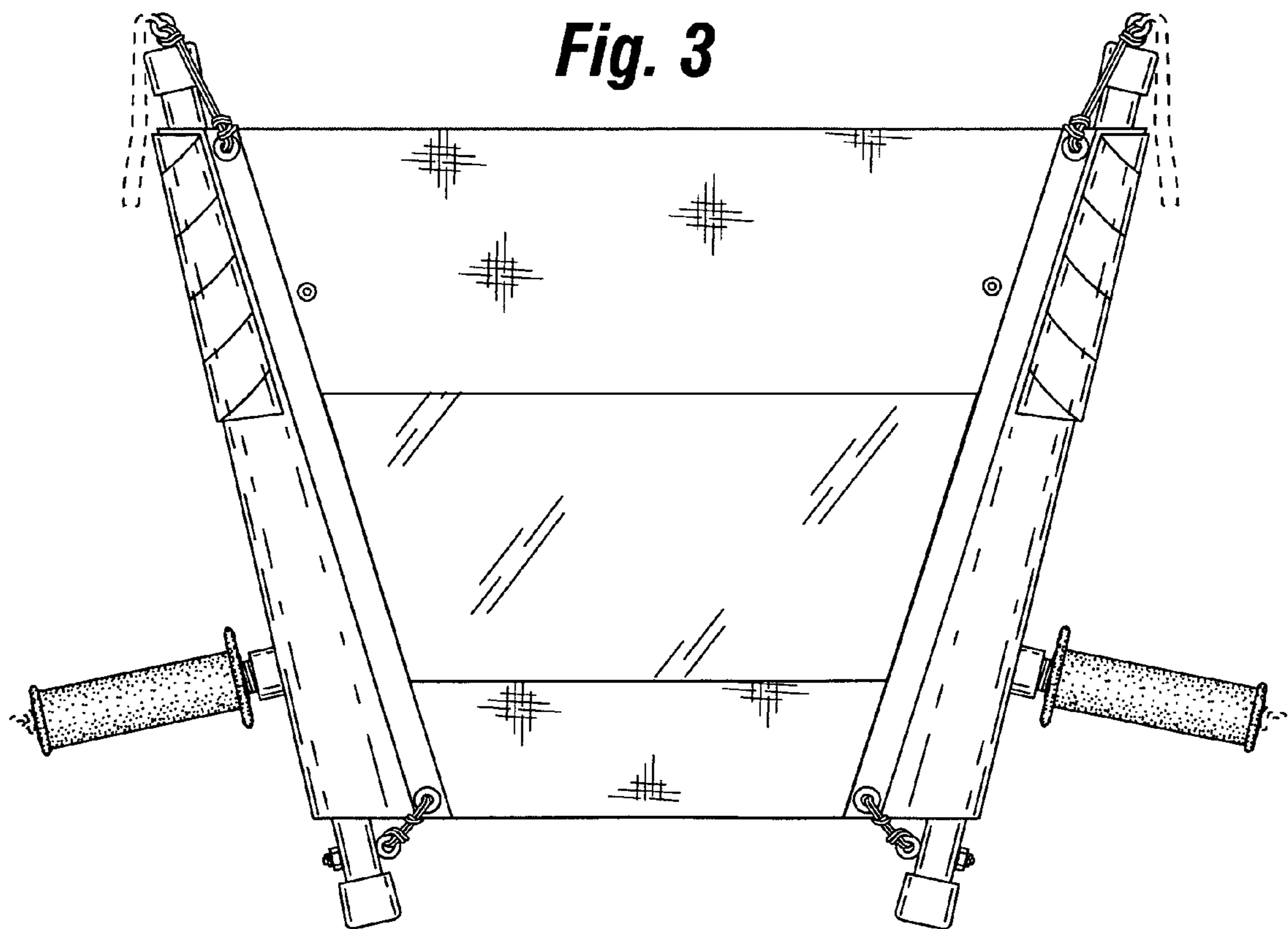


Fig. 4

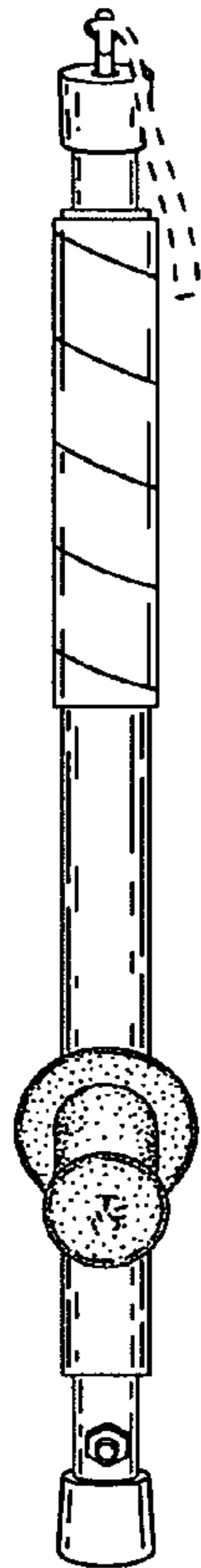


Fig. 5

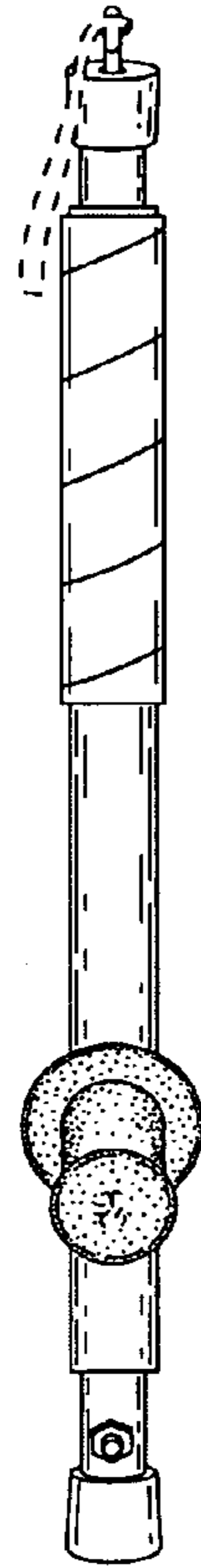


Fig. 6



Fig. 7

