



US00D590322S

(12) **United States Design Patent**  
**Rak**

(10) **Patent No.:** **US D590,322 S**

(45) **Date of Patent:** **\*\* Apr. 14, 2009**

(54) **WHEEL OR WHEEL COVER**

(75) Inventor: **Oliver Rak**, Pforzheim (DE)

(73) Assignee: **Daimler AG**, Stuttgart (DE)

(\*\*) Term: **14 Years**

(21) Appl. No.: **29/309,421**

(22) Filed: **Aug. 14, 2008**

(30) **Foreign Application Priority Data**

Feb. 22, 2008 (EM) ..... 000884028-0001

(51) **LOC (9) Cl.** ..... **12-16**

(52) **U.S. Cl.** ..... **D12/211**

(58) **Field of Classification Search** ..... D12/204-213;  
301/37.101, 64.101, 65, 64.201

See application file for complete search history.

(56) **References Cited**

**U.S. PATENT DOCUMENTS**

- D379,612 S \* 6/1997 Honarkhah ..... D12/209
- D431,514 S \* 10/2000 Cullen ..... D12/209
- D460,397 S \* 7/2002 Bintoro ..... D12/209

- D481,345 S \* 10/2003 O'Connell ..... D12/211
- D486,437 S \* 2/2004 Hieke ..... D12/211
- D569,322 S \* 5/2008 Scheu ..... D12/211
- D575,718 S \* 8/2008 Pfeiffer ..... D12/211
- D581,852 S \* 12/2008 Scheu ..... D12/211
- D582,333 S \* 12/2008 Pfeiffer ..... D12/211

\* cited by examiner

*Primary Examiner*—Stacia Cadmus

(74) *Attorney, Agent, or Firm*—Crowell & Moring LLP

(57) **CLAIM**

The ornamental design for a wheel or wheel cover, as shown and described.

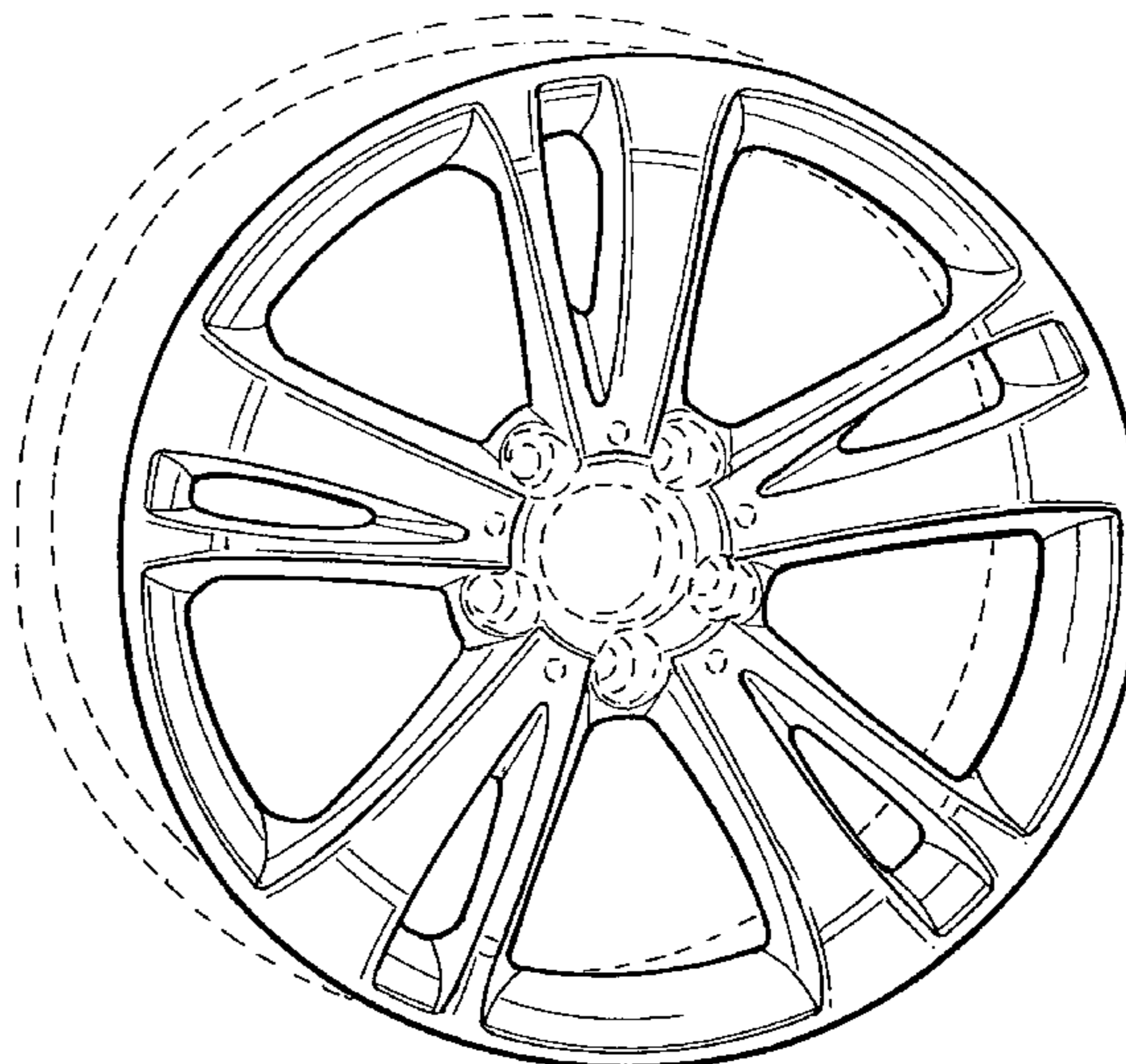
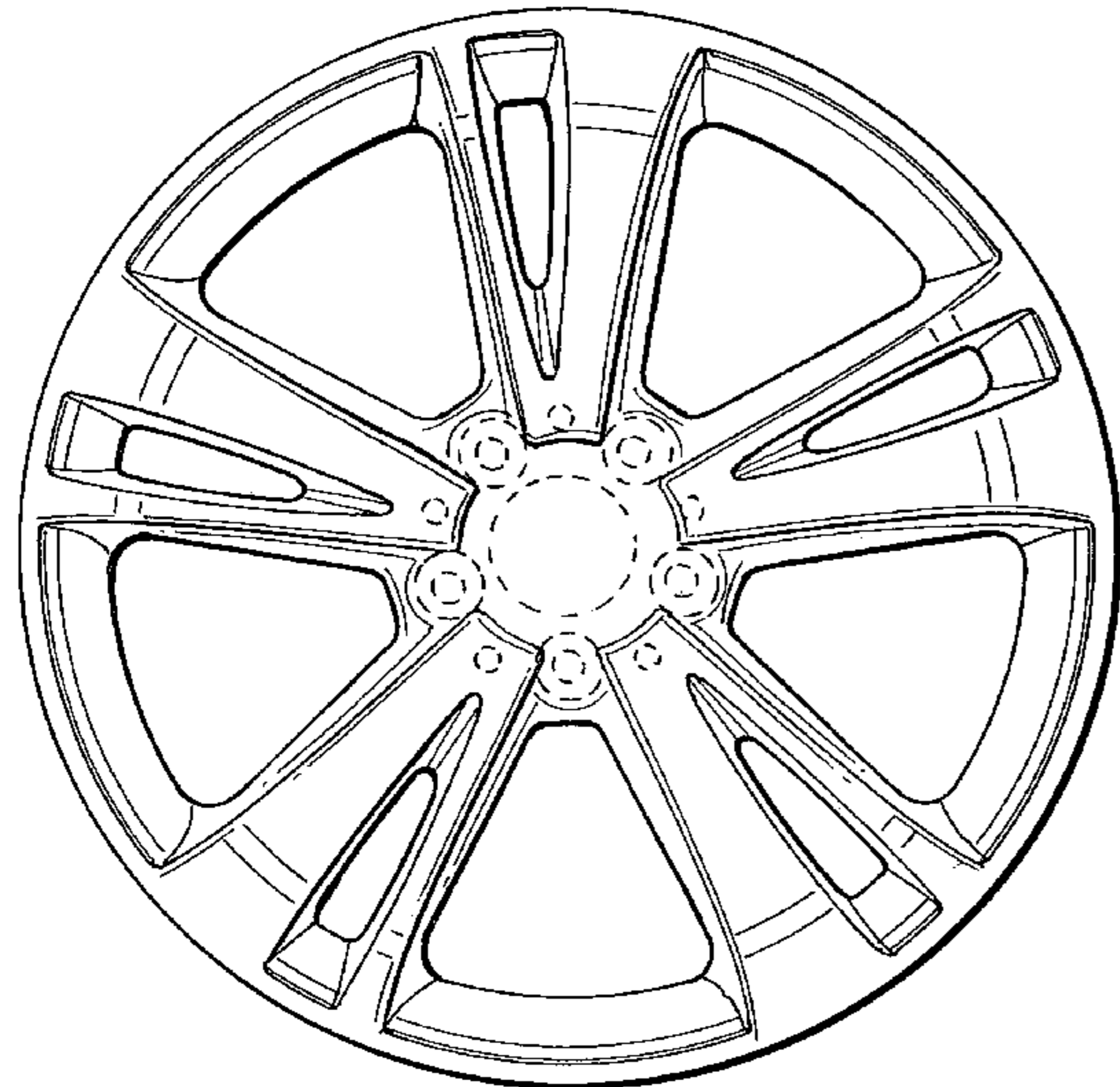
**DESCRIPTION**

FIG. 1 is a front view of a wheel or wheel cover according to my novel design; and,

FIG. 2 is a perspective view thereof.

The broken line showing of the rear portion of the rim and the bolt holes and center cap in the central hub area is included for the purpose of illustrating environment and forms no part of the claimed design.

**1 Claim, 1 Drawing Sheet**



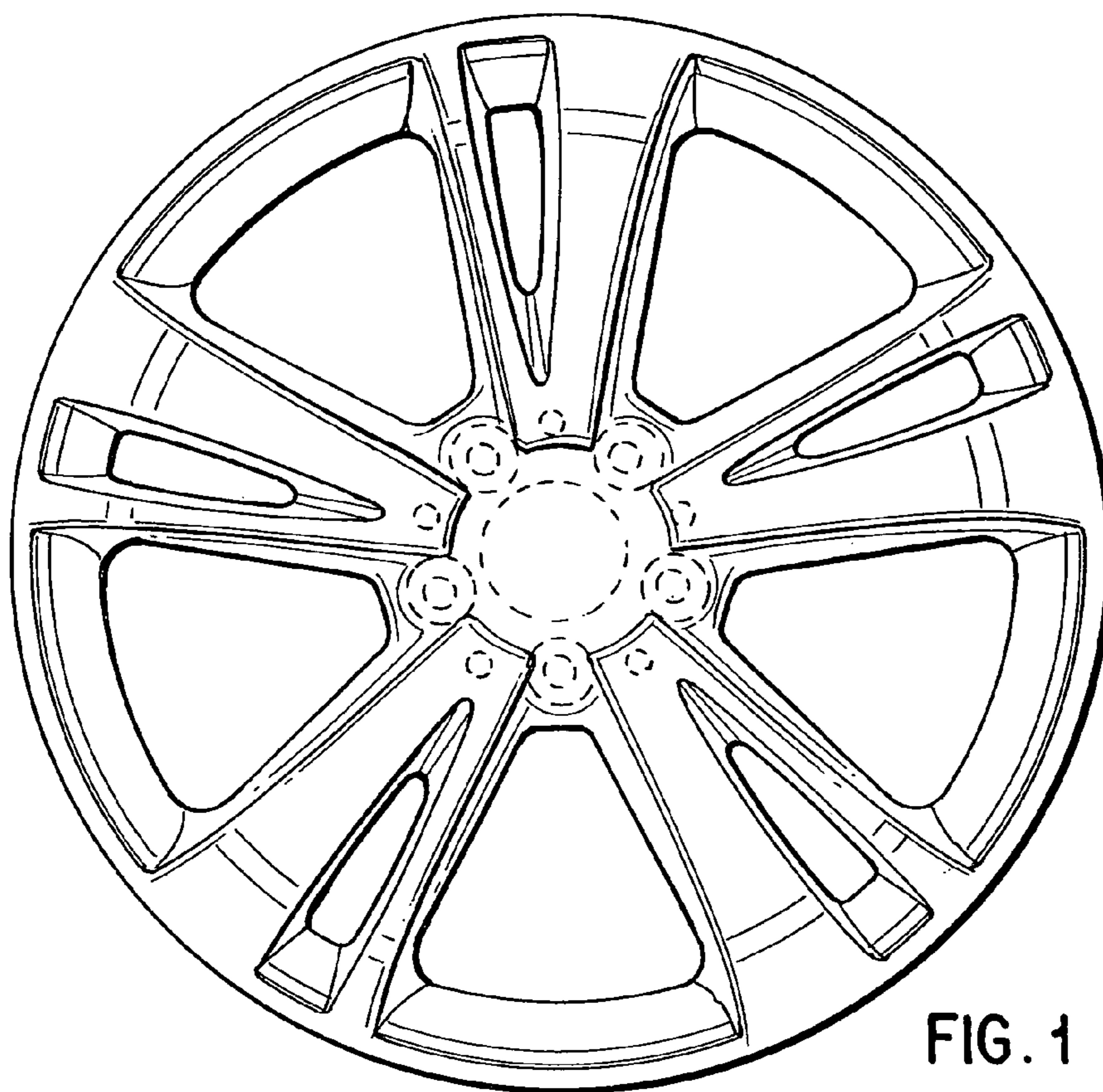


FIG. 1

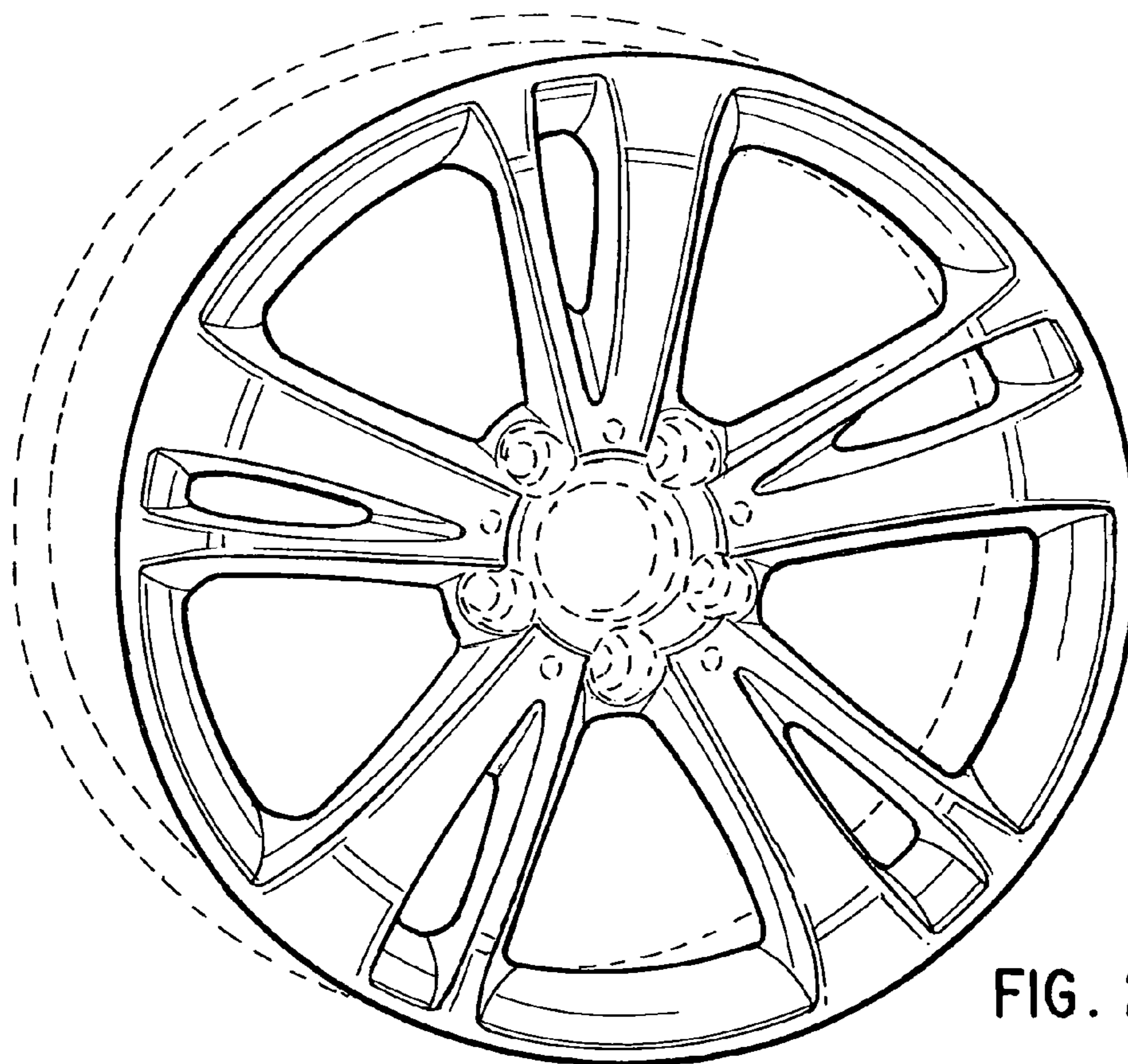


FIG. 2