



US00D590321S

(12) **United States Design Patent**
Rak

(10) **Patent No.:** **US D590,321 S**

(45) **Date of Patent:** **** Apr. 14, 2009**

(54) **WHEEL OR WHEEL COVER**

(75) Inventor: **Oliver Rak**, Pforzheim (DE)

(73) Assignee: **Daimler AG**, Stuttgart (DE)

(**) Term: **14 Years**

(21) Appl. No.: **29/309,408**

(22) Filed: **Aug. 12, 2008**

(30) **Foreign Application Priority Data**

Feb. 22, 2008 (EM) 000884077-0002

(51) **LOC (9) Cl.** **12-16**

(52) **U.S. Cl.** **D12/211**

(58) **Field of Classification Search** D12/204-213;
301/37.101, 64.101, 65, 64.201

See application file for complete search history.

(56) **References Cited**

U.S. PATENT DOCUMENTS

- D493,761 S * 8/2004 Kang D12/211
- D503,918 S * 4/2005 Fahr-Becker D12/211
- D539,725 S * 4/2007 Plumer D12/211
- D546,266 S * 7/2007 Young D12/211

- D548,161 S * 8/2007 Young D12/209
- D551,148 S * 9/2007 Musser D12/211
- D553,550 S * 10/2007 Tirado D12/211
- D560,152 S * 1/2008 Nordmann D12/211
- D573,083 S * 7/2008 Hetrick D12/211
- D579,399 S * 10/2008 Schweizer D12/211
- D582,335 S * 12/2008 Rak D12/211
- D585,354 S * 1/2009 Powell et al. D12/211
- D586,284 S * 2/2009 Fridie D12/211

* cited by examiner

Primary Examiner—Stacia Cadmus

(74) *Attorney, Agent, or Firm*—Crowell & Moring LLP

(57) **CLAIM**

The ornamental design for a wheel or wheel cover, as shown and described.

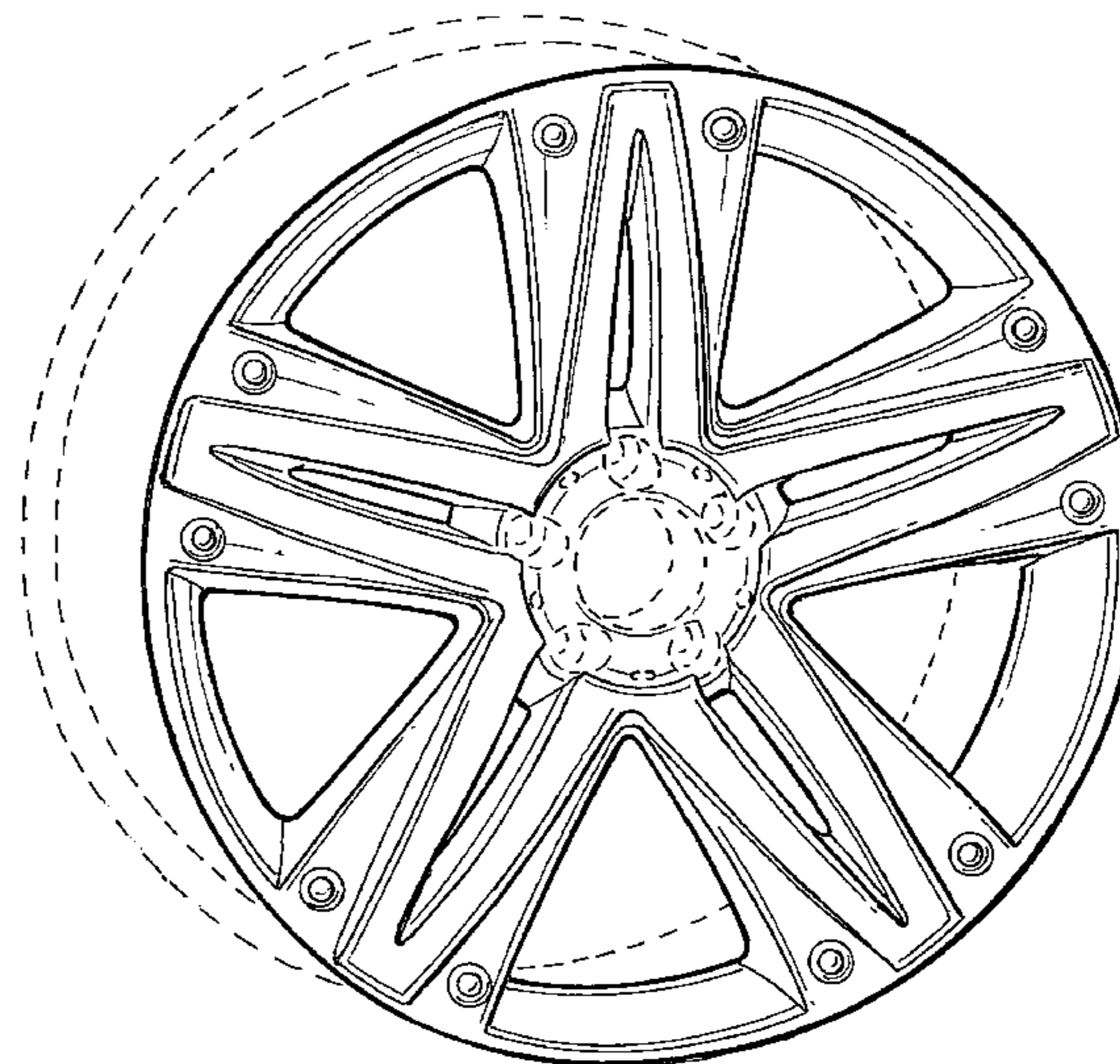
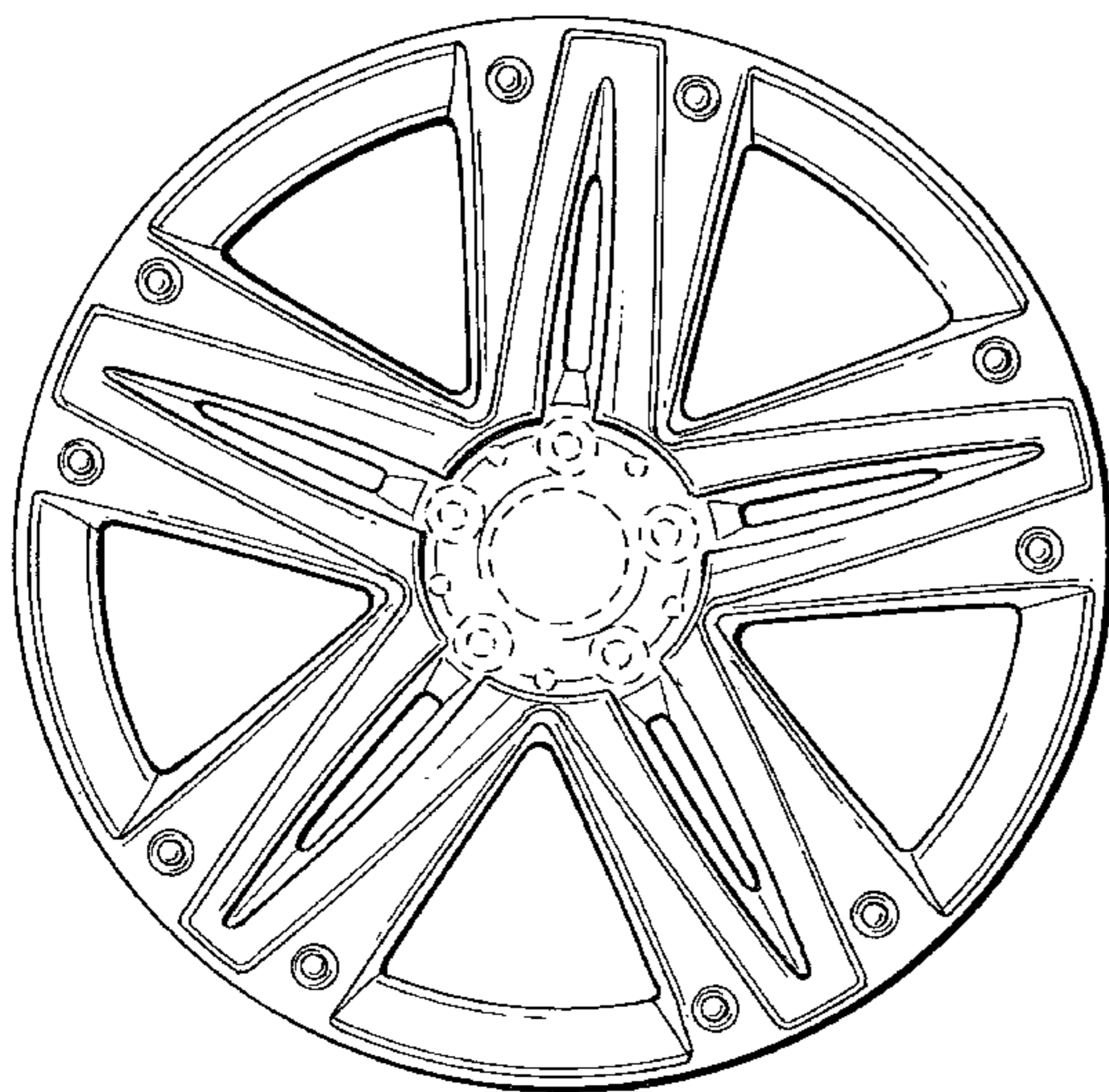
DESCRIPTION

FIG. 1 is a front view of a wheel or wheel cover according to my novel design; and,

FIG. 2 is a perspective view thereof.

The broken line showing of the rear of the rim, the bolt holes and the central hub area is included for the purpose of illustrating environment and forms no part of the claimed design.

1 Claim, 1 Drawing Sheet



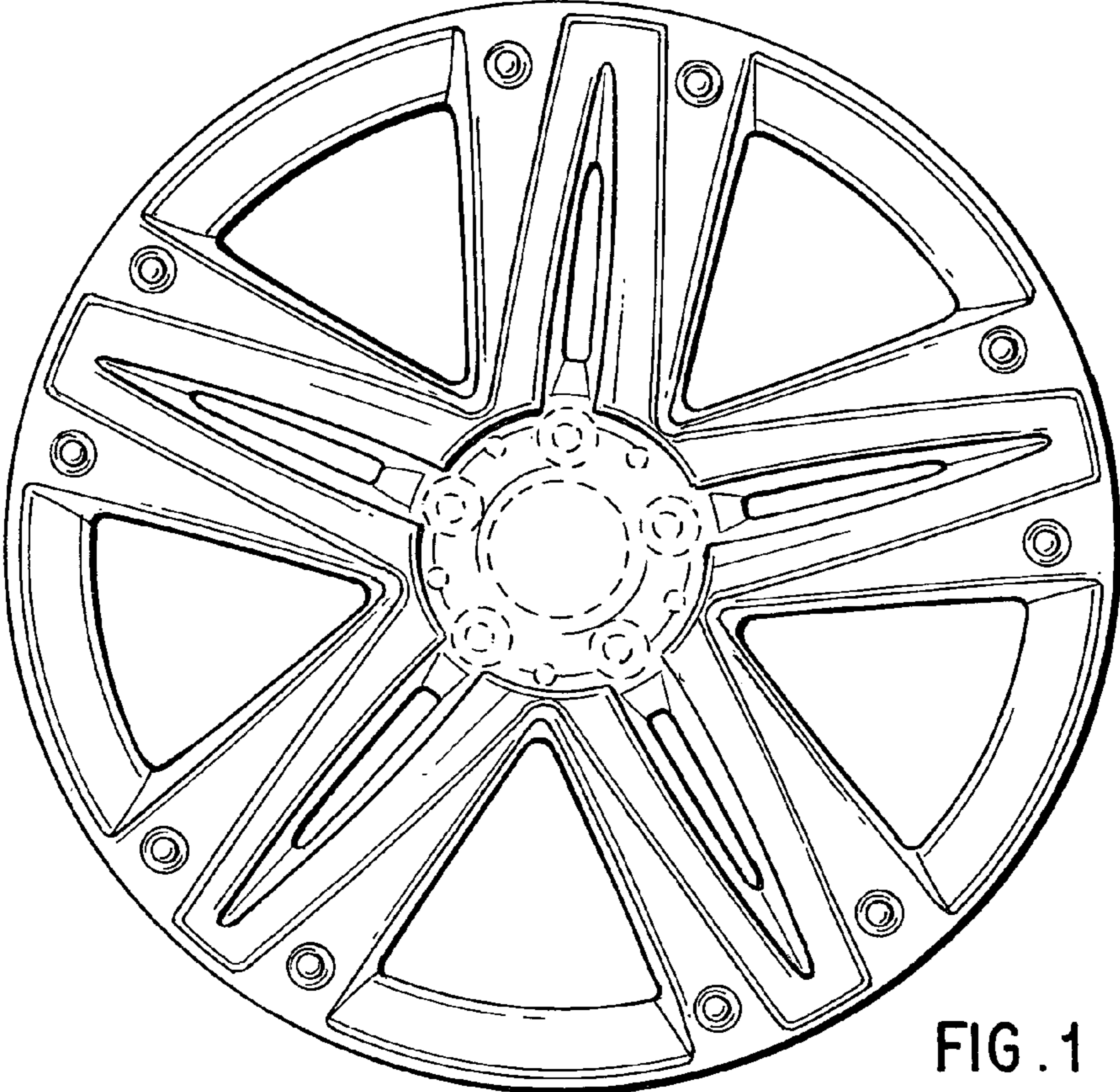


FIG. 1

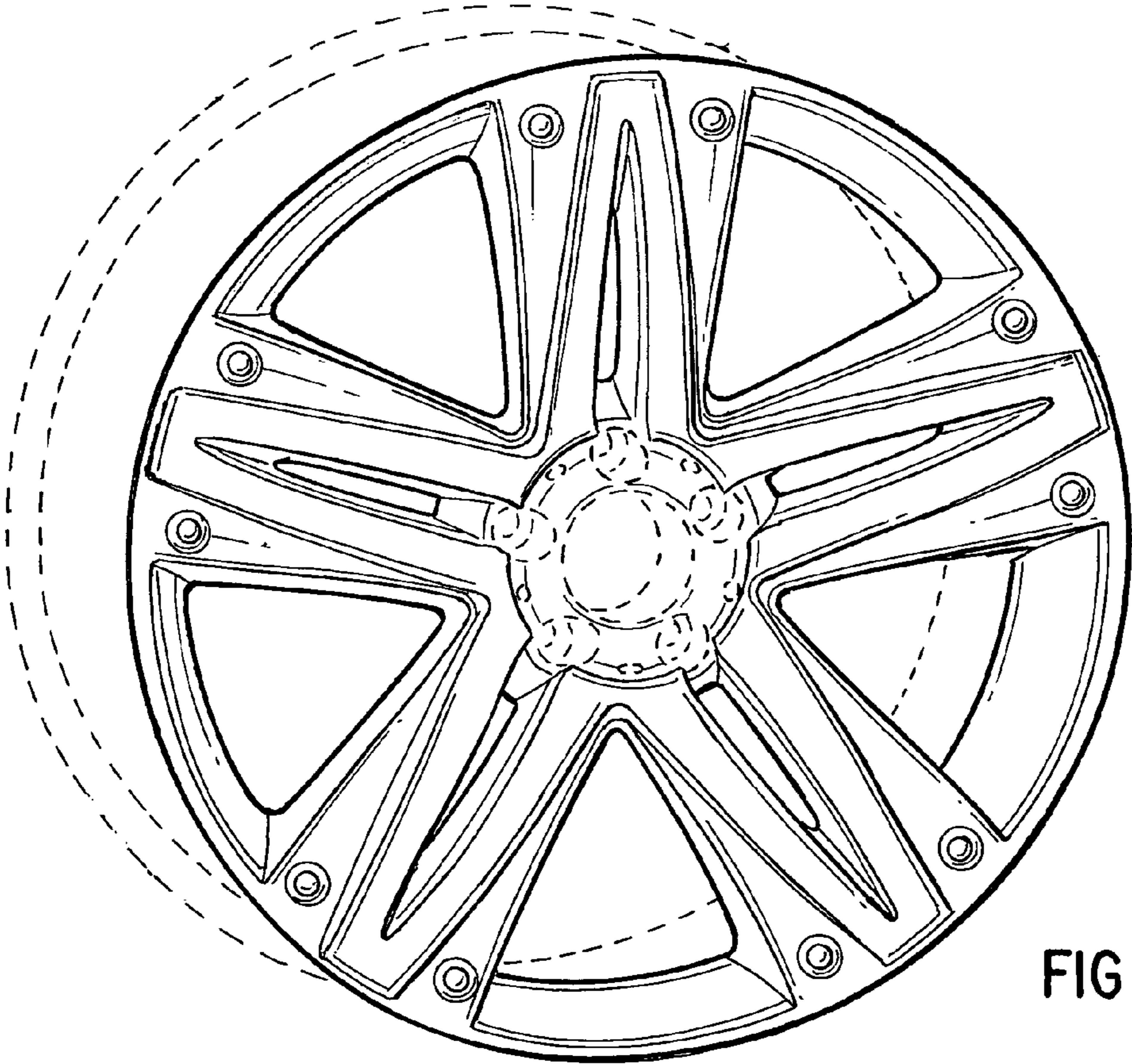


FIG. 2