



US00D590315S

(12) **United States Design Patent**
Chung

(10) **Patent No.:** **US D590,315 S**

(45) **Date of Patent:** **** Apr. 14, 2009**

(54) **AUTOMOTIVE WHEEL**

(76) **Inventor:** **Suny Chung**, 3283 Red Pine Rd., Yorba Linda, CA (US) 92886

(**) **Term:** **14 Years**

(21) **Appl. No.:** **29/312,054**

(22) **Filed:** **Sep. 29, 2008**

(51) **LOC (9) Cl.** **12-16**

(52) **U.S. Cl.** **D12/209**

(58) **Field of Classification Search** D12/204-213;
301/37.101, 64.101, 65, 64.201

See application file for complete search history.

(56) **References Cited**

U.S. PATENT DOCUMENTS

D470,812 S	*	2/2003	Chu	D12/211
D528,062 S	*	9/2006	Hosoi	D12/211
D551,148 S	*	9/2007	Musser	D12/211
D553,070 S	*	10/2007	Tirado	D12/211
D558,115 S	*	12/2007	Groom	D12/209
D567,736 S	*	4/2008	Kim	D12/209

D569,778 S	*	5/2008	Kim	D12/211
D573,933 S	*	7/2008	Young	D12/209
D578,458 S	*	10/2008	Cortes	D12/211
D579,845 S	*	11/2008	Chung	D12/209
D582,334 S	*	12/2008	Fournier	D12/211
D582,831 S	*	12/2008	Musser	D12/211
D585,353 S	*	1/2009	Scheu	D12/211

* cited by examiner

Primary Examiner—Stacia Cadmus

(57) **CLAIM**

The ornamental design for an automotive wheel, as shown and described.

DESCRIPTION

FIG. 1 is a perspective view of an automotive wheel, showing my new design; and,

FIG. 2 is a front view thereof.

The broken line showing of rear portion of the wheel rim is included for the purpose of illustrating environment and forms no part of the claimed design.

1 Claim, 2 Drawing Sheets

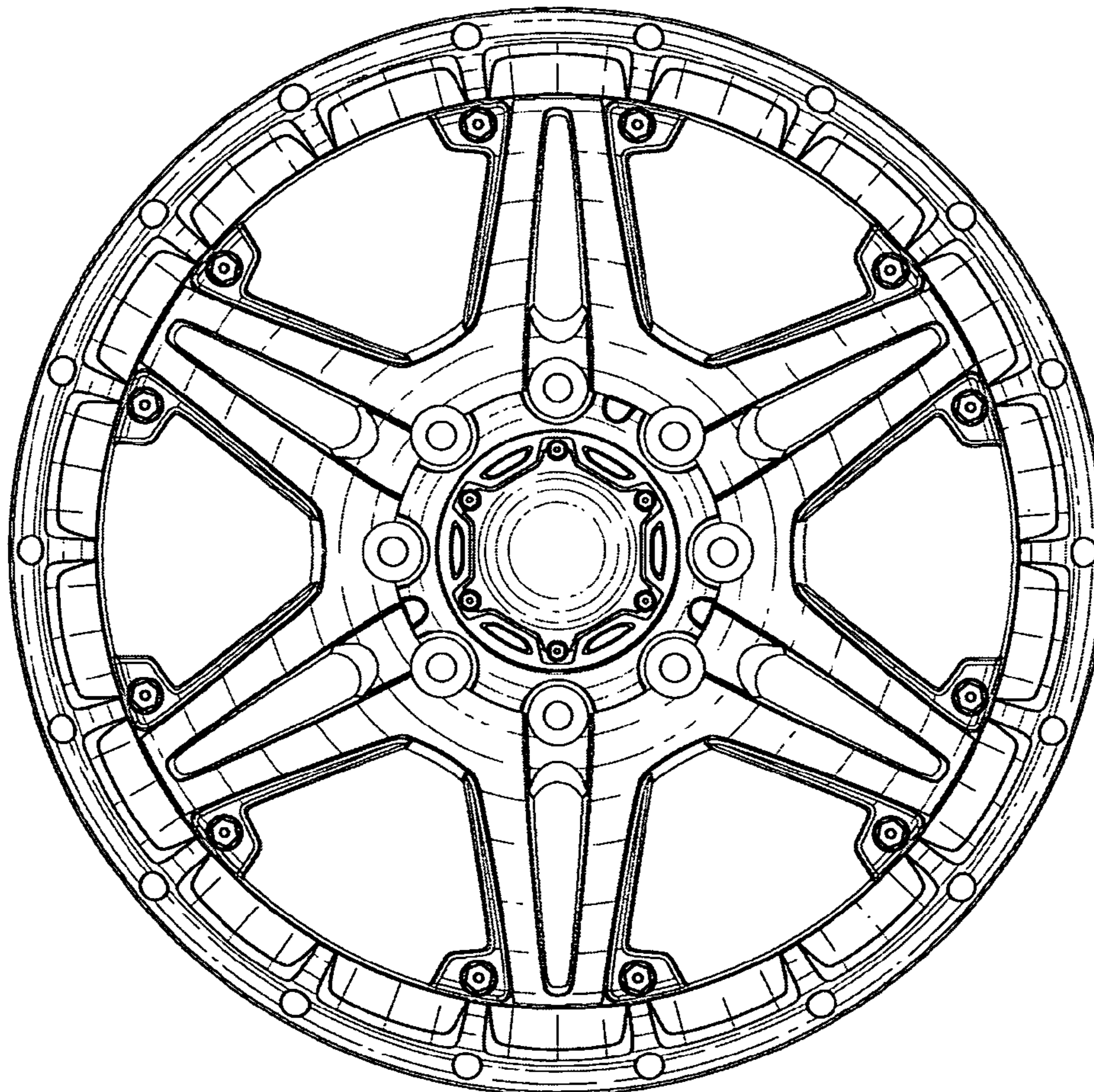


Figure 1

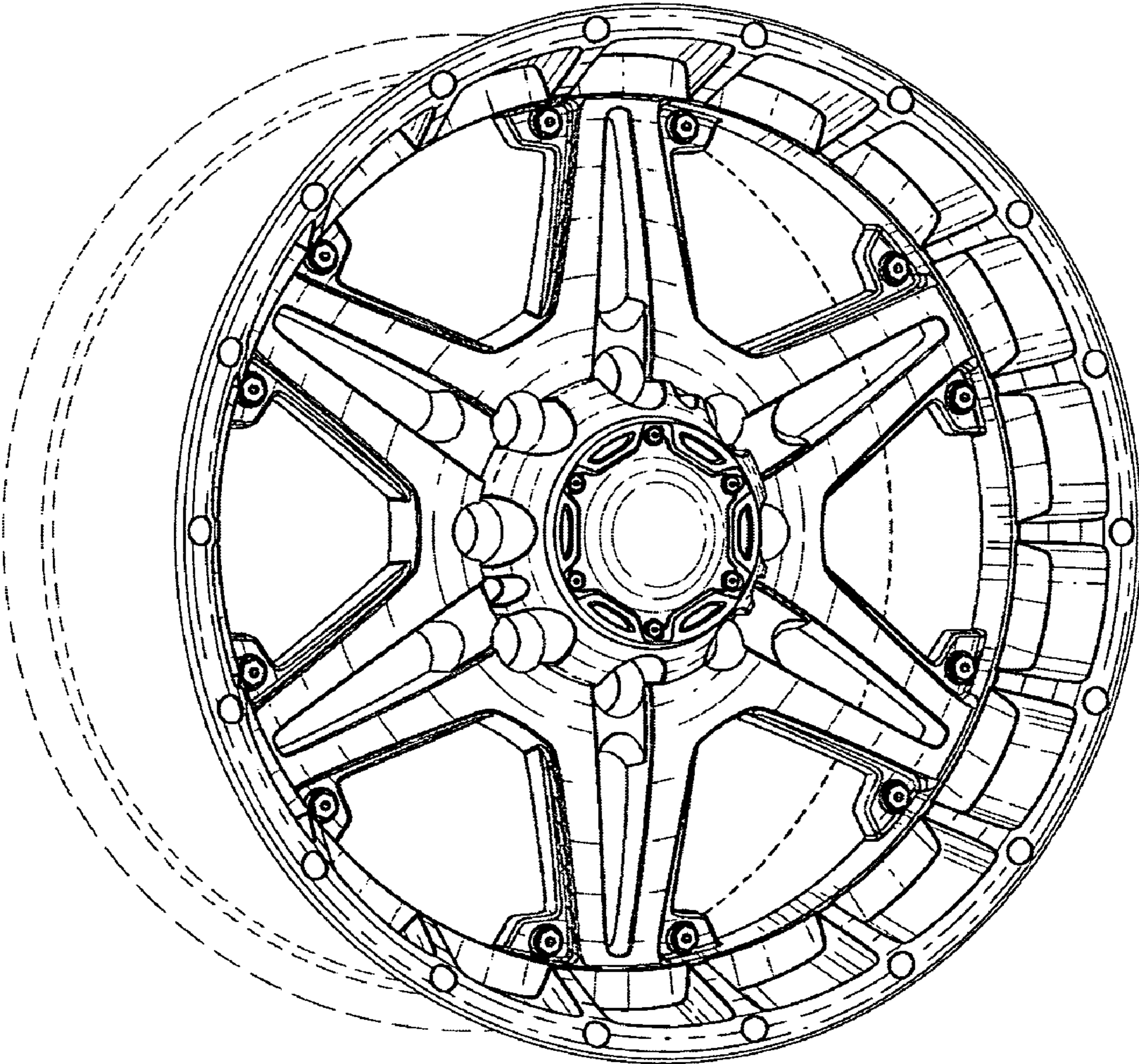


Figure 2

