



US00D590314S

(12) **United States Design Patent**
Hettler

(10) **Patent No.:** **US D590,314 S**
(45) **Date of Patent:** **** Apr. 14, 2009**

(54) **FRONT FACE OF A VEHICLE WHEEL**

(75) Inventor: **Jan Hettler**, Munich (DE)

(73) Assignee: **Bayerische Motoren Werke Aktiengesellschaft**, Munich (DE)

(**) Term: **14 Years**

(21) Appl. No.: **29/300,127**

(22) Filed: **Feb. 22, 2008**

(30) **Foreign Application Priority Data**

Aug. 24, 2007 (DE) 40704326

(51) **LOC (9) Cl.** **12-16**

(52) **U.S. Cl.** **D12/209**

(58) **Field of Classification Search** D12/204–213;
301/37.101, 64.101, 65, 64.201
See application file for complete search history.

(56) **References Cited**

U.S. PATENT DOCUMENTS

D421,417 S *	3/2000	Weidhase	D12/209
D433,659 S *	11/2000	Frizzi	D12/211
D487,418 S *	3/2004	Hieke	D12/211
D513,487 S *	1/2006	Wachtler	D12/209
D517,970 S	3/2006	Pollmann		

D522,432 S *	6/2006	Pfeiffer	D12/209
D530,257 S *	10/2006	Pfeiffer	D12/211
D536,654 S *	2/2007	Moruzzi	D12/211
D563,305 S *	3/2008	Schweizer	D12/211
D580,840 S *	11/2008	Elmitt	D12/209
D580,842 S *	11/2008	Kim	D12/211

* cited by examiner

Primary Examiner—Stacia Cadmus

(74) *Attorney, Agent, or Firm*—Crowell & Moring LLP

(57) **CLAIM**

The ornamental design for a front face of a vehicle wheel, as shown and described.

DESCRIPTION

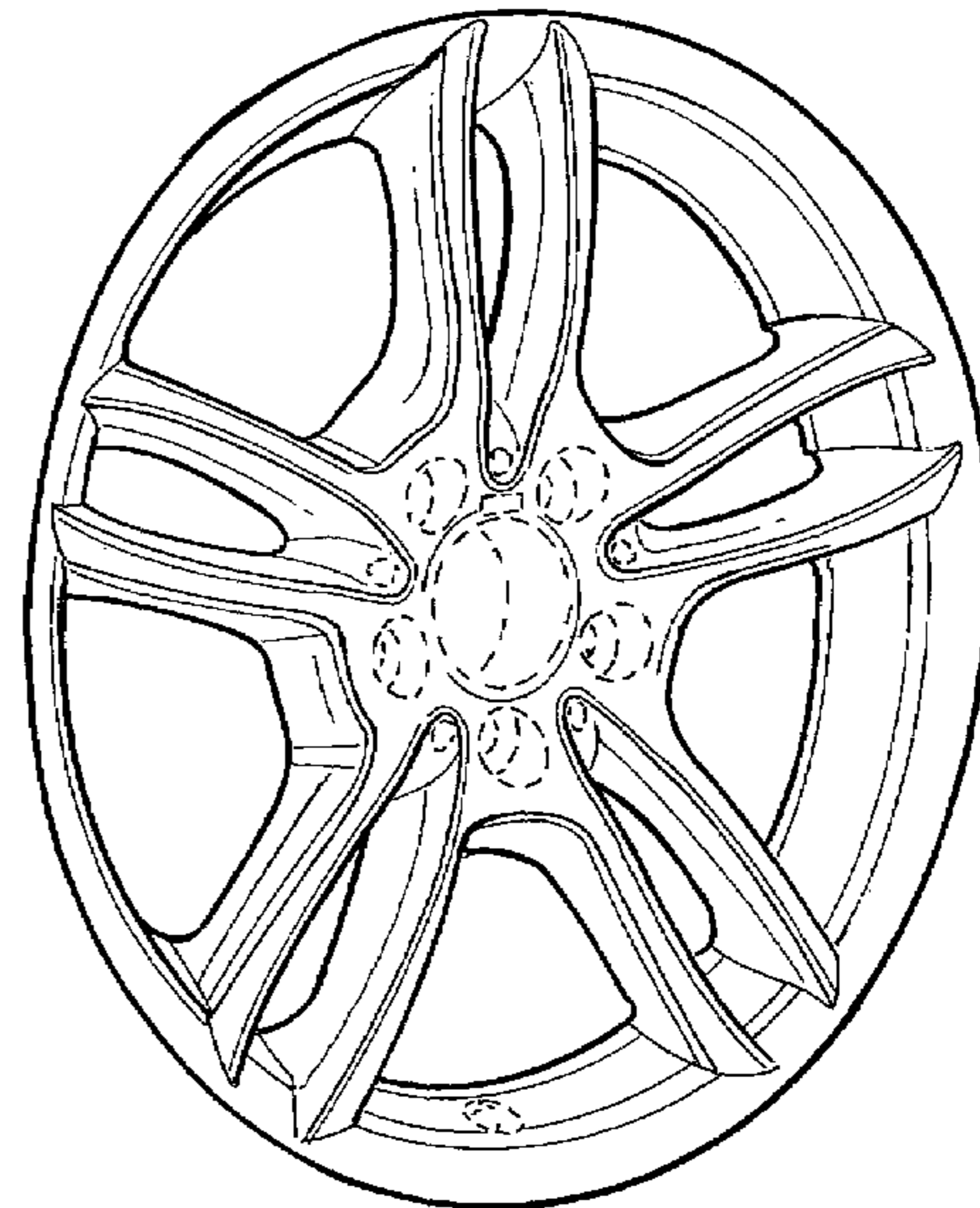
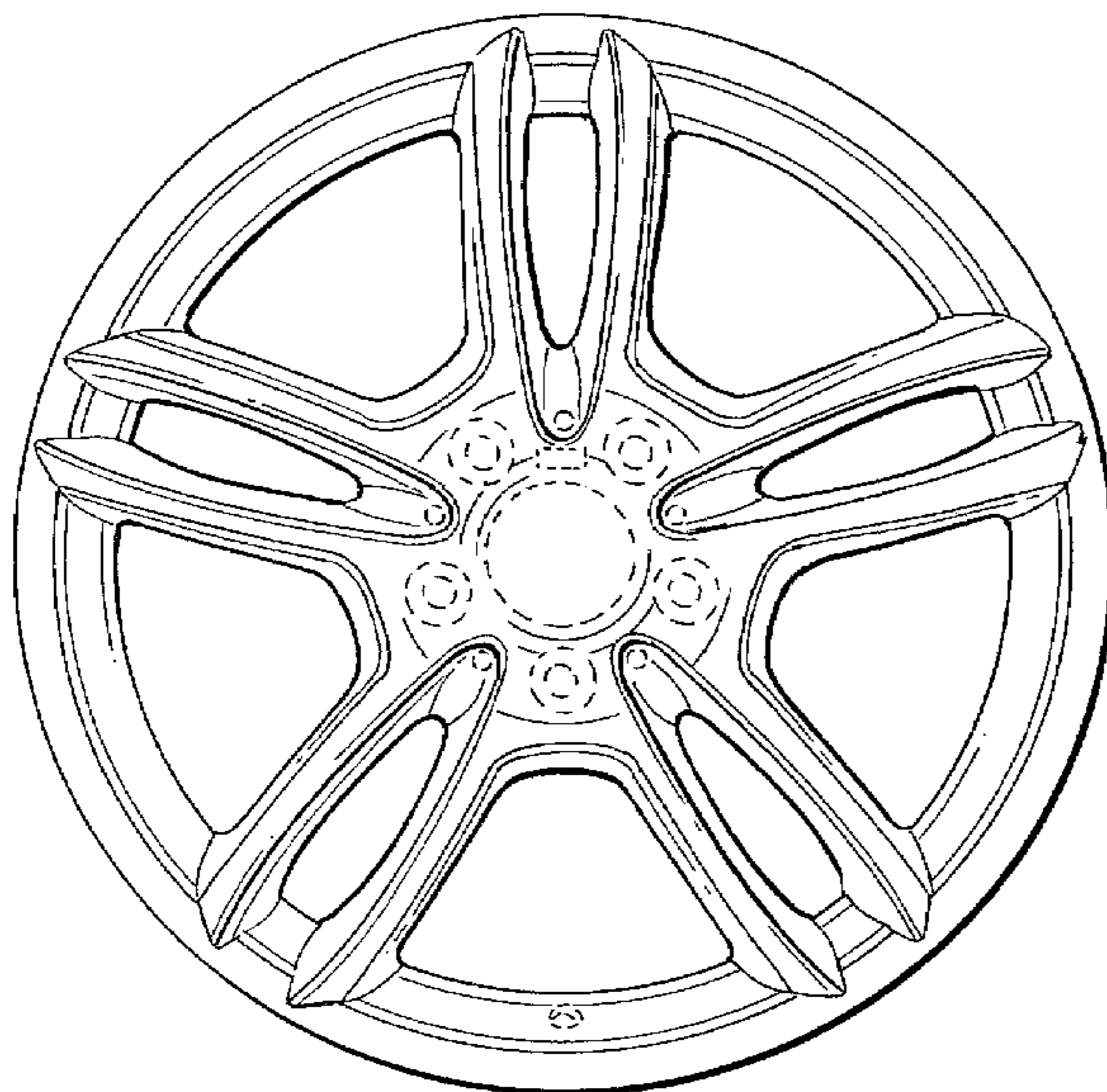
This application is related to the following co-pending applications: application Ser. No. 29/300,308, entitled “Front Face of a Vehicle Wheel” and application Ser. No. 29/300,831, entitled “Wheel or Wheel Cover”.

FIG. 1 is a front view of a front face of a vehicle wheel according to my novel design; and,

FIG. 2 is a perspective view thereof.

The broken line showing of the bolt holes and center cap in the central hub area is included for the purpose of illustrating environment and forms no part of the claimed design.

1 Claim, 1 Drawing Sheet



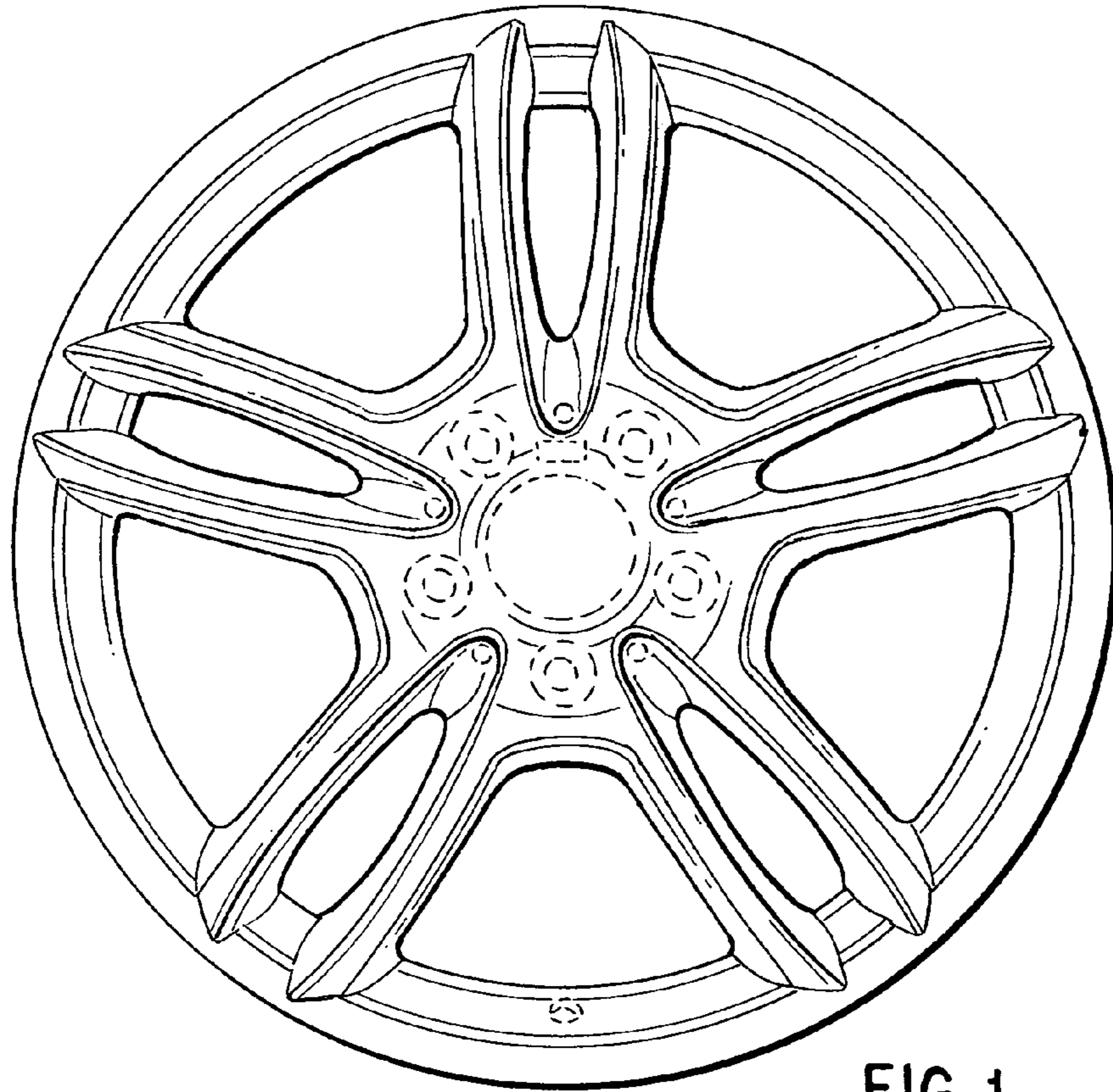


FIG. 1

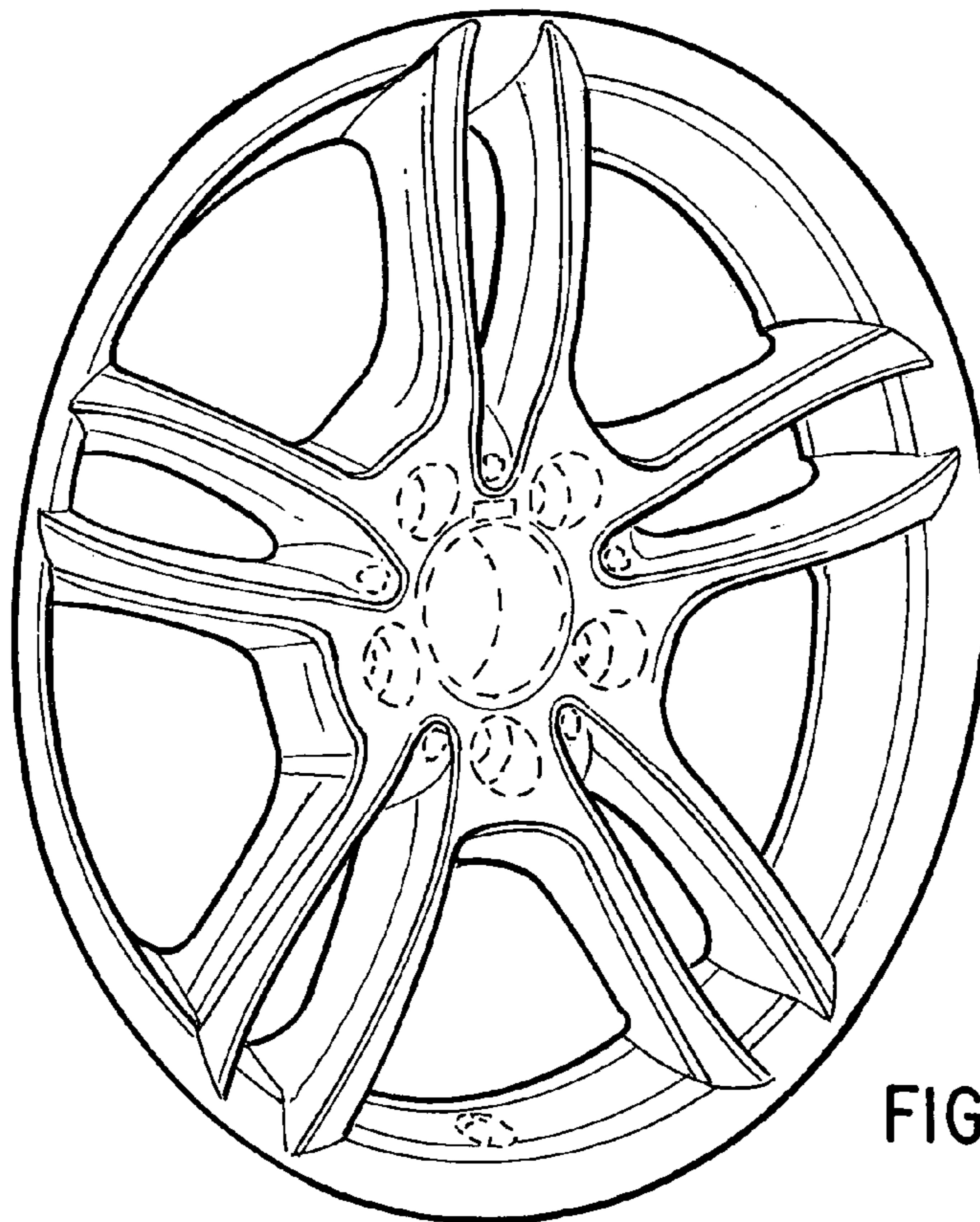


FIG. 2