

US00D590313S

(12) **United States Design Patent**
Baum

(10) **Patent No.:** **US D590,313 S**
(45) **Date of Patent:** **** Apr. 14, 2009**

(54) **FRONT FACE OF A VEHICLE WHEEL**

(75) Inventor: **Stephan Baum**, Olching (DE)

(73) Assignee: **Bayerische Motoren Werke Aktiengesellschaft**, Munich (DE)

(**) Term: **14 Years**

(21) Appl. No.: **29/287,332**

(22) Filed: **Jul. 24, 2007**

(30) **Foreign Application Priority Data**

Jan. 25, 2007 (DE) 4 07 00 466

(51) **LOC (9) Cl.** **12-16**

(52) **U.S. Cl.** **D12/209**

(58) **Field of Classification Search** D12/204–213;
301/37.101, 64.101, 65, 64.201
See application file for complete search history.

(56) **References Cited**

U.S. PATENT DOCUMENTS

D339,561 S *	9/1993	Maiworm et al.	D12/211
D402,251 S *	12/1998	Timm	D12/211
D402,951 S *	12/1998	Wechner	D12/211
D405,749 S *	2/1999	Kulla	D12/211
D416,849 S *	11/1999	Weidhase	D12/211
D432,974 S *	10/2000	Jablonski	D12/211
D450,649 S *	11/2001	Penzes	D12/211
D453,494 S *	2/2002	Brown et al.	D12/211
D486,769 S *	2/2004	Gallert	D12/209

D502,677 S	3/2005	Baum	
D521,438 S *	5/2006	Nordmann	D12/211
D523,799 S *	6/2006	Ianniello	D12/209
D528,061 S *	9/2006	Saridakis et al.	D12/211
D530,256 S *	10/2006	Pfeiffer	D12/211
D532,739 S *	11/2006	Ettensberger	D12/211
D534,473 S *	1/2007	Bernoni	D12/211
D542,728 S *	5/2007	Ichinose	D12/211
D553,069 S *	10/2007	Ettensberger	D12/211
D558,118 S *	12/2007	Hueller	D12/211
D570,761 S *	6/2008	Antoniadis et al.	D12/211

* cited by examiner

Primary Examiner—Cathron C Brooks

Assistant Examiner—Austin Murphy

(74) *Attorney, Agent, or Firm*—Crowell & Moring LLP

(57) **CLAIM**

The ornamental design for a front face of a vehicle wheel, as shown and described.

DESCRIPTION

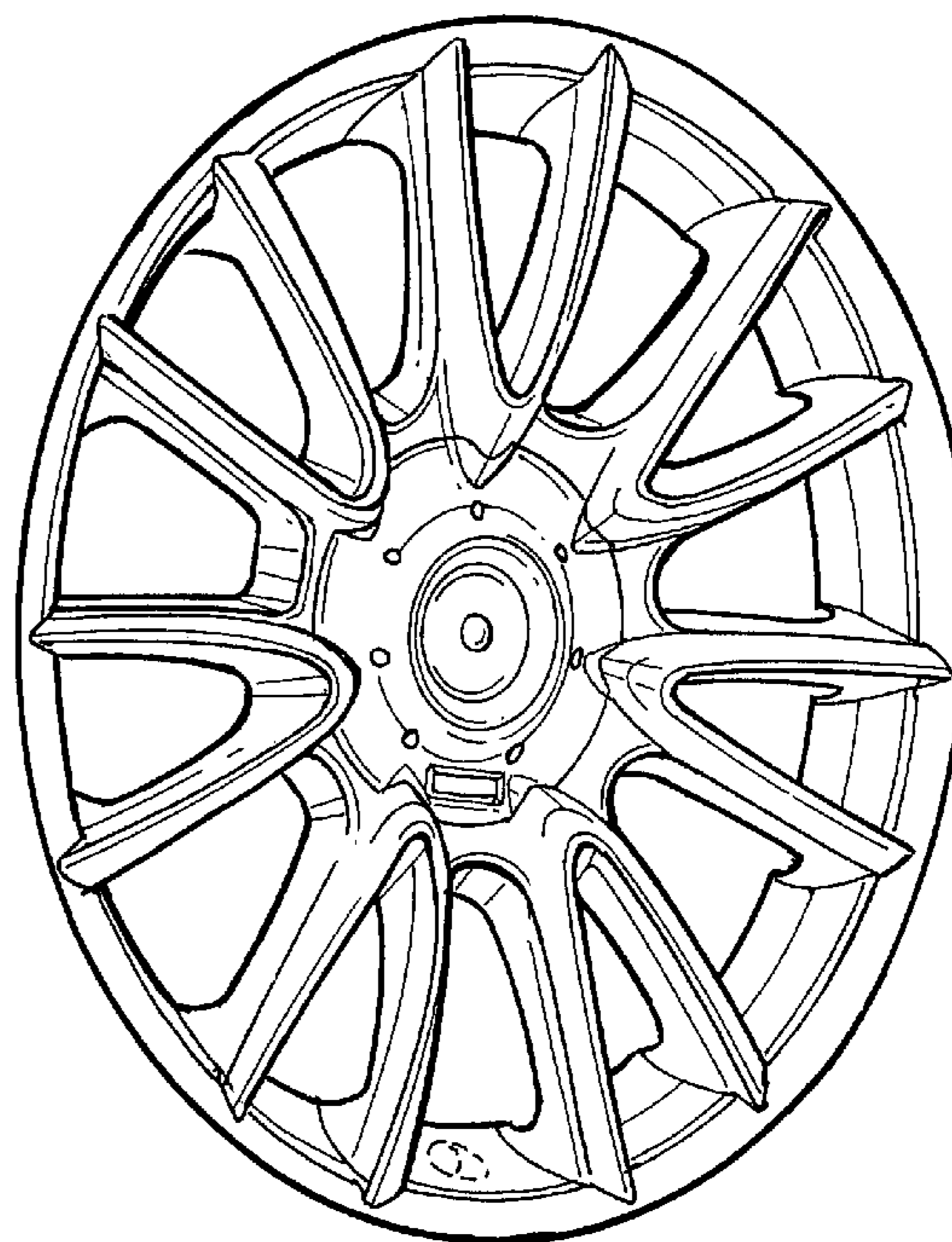
This application is related to the following co-pending application: Application Ser. No. 29/300,128, entitled “Front Face of a Vehicle Wheel.”

FIG. 1 is a front view of a front face of a vehicle wheel according to my design; and,

FIG. 2 is a perspective view thereof.

The broken lines are for illustrative purposes only and form no part of the claimed design.

1 Claim, 1 Drawing Sheet



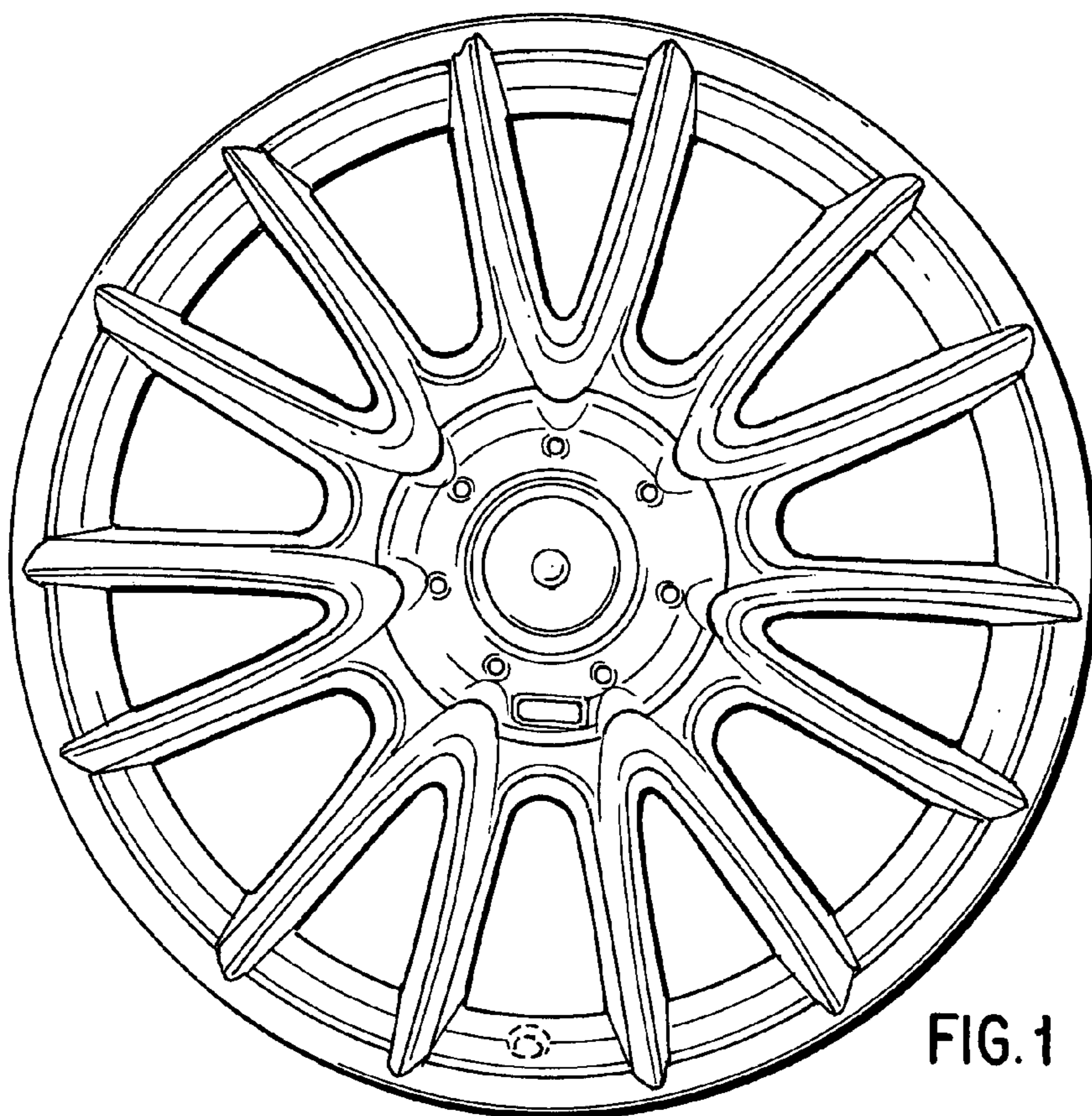


FIG. 1

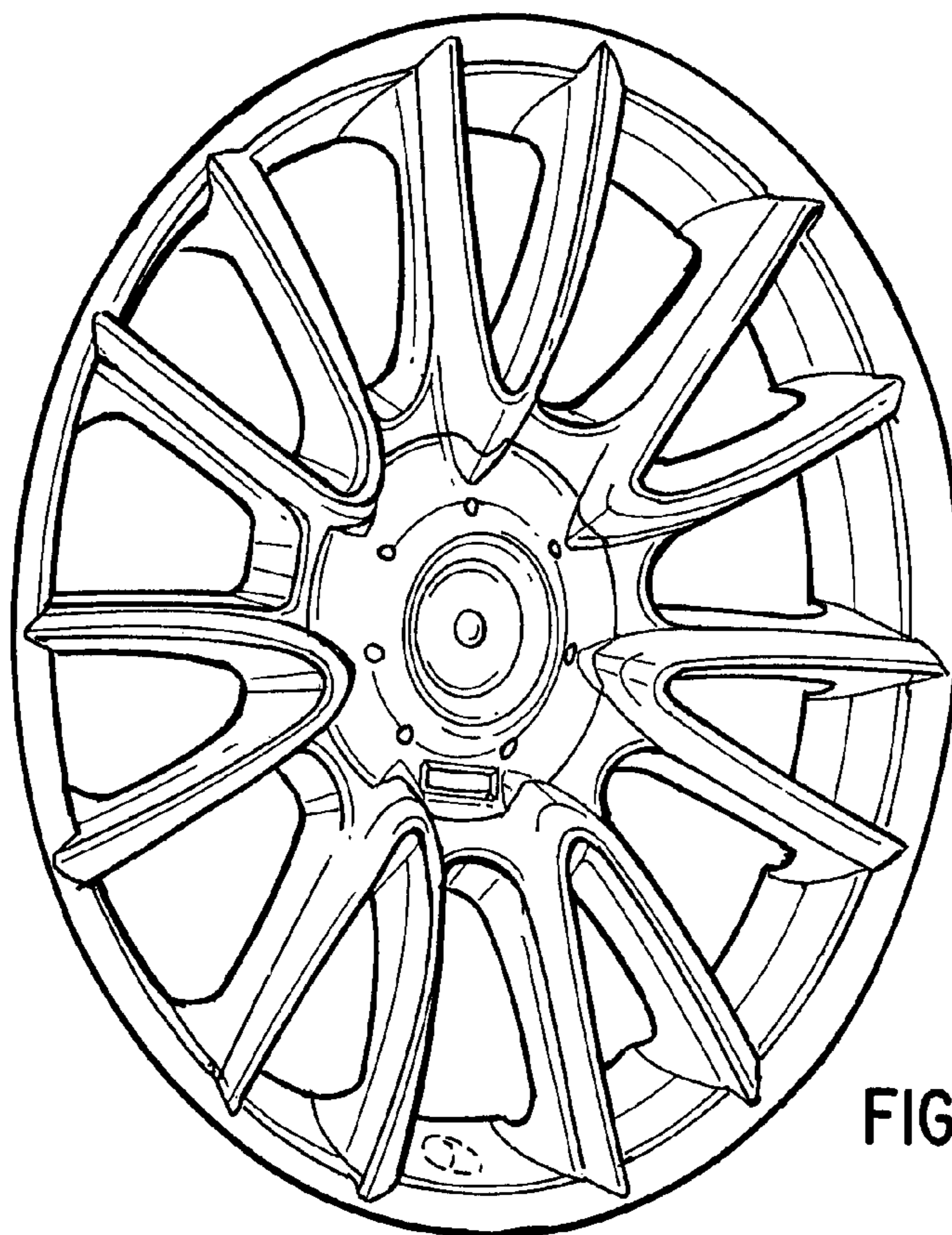


FIG. 2