



US00D590311S

(12) **United States Design Patent**
Pacleb

(10) **Patent No.:** **US D590,311 S**

(45) **Date of Patent:** **** Apr. 14, 2009**

(54) **FOLDABLE LICENSE PLATE HOLDER**

(76) **Inventor:** **Jesus Pacleb**, 7571 Westbrook Ave., San Diego, CA (US) 92139-3979

(**) **Term:** **14 Years**

(21) **Appl. No.:** **29/283,102**

(22) **Filed:** **Aug. 6, 2007**

(51) **LOC (9) Cl.** **12-16**

(52) **U.S. Cl.** **D12/193**

(58) **Field of Classification Search** D12/193;
40/110, 209; 362/497; 340/93.5; 701/1
See application file for complete search history.

(56) **References Cited**

U.S. PATENT DOCUMENTS

2,765,553	A *	10/1956	Audette	40/209
D285,784	S *	9/1986	Langensiepen	D12/193
D367,459	S *	2/1996	Spencer	D12/193
D408,341	S *	4/1999	Spencer	D12/193
6,025,784	A *	2/2000	Mish	340/693.5
D488,753	S *	4/2004	Spencer	D12/193
D489,031	S *	4/2004	Leibman	D12/193
D516,483	S *	3/2006	Eidsmore	D12/193

7,350,323	B1 *	4/2008	Basos	40/209
2003/0079381	A1 *	5/2003	Arens et al.	40/210
2006/0167594	A1 *	7/2006	Mah	701/1
2006/0203502	A1 *	9/2006	Stevens et al.	362/497
2006/0207131	A1 *	9/2006	MacNeil	40/209
2008/0098629	A1 *	5/2008	Graham et al.	40/201

* cited by examiner

Primary Examiner—Caron Veynar

Assistant Examiner—George D Kirschbaum

(74) *Attorney, Agent, or Firm*—Procopio, Cory, Hargreaves & Savitch, LLP

(57) **CLAIM**

The ornamental design for a foldable license plate holder, shown and described.

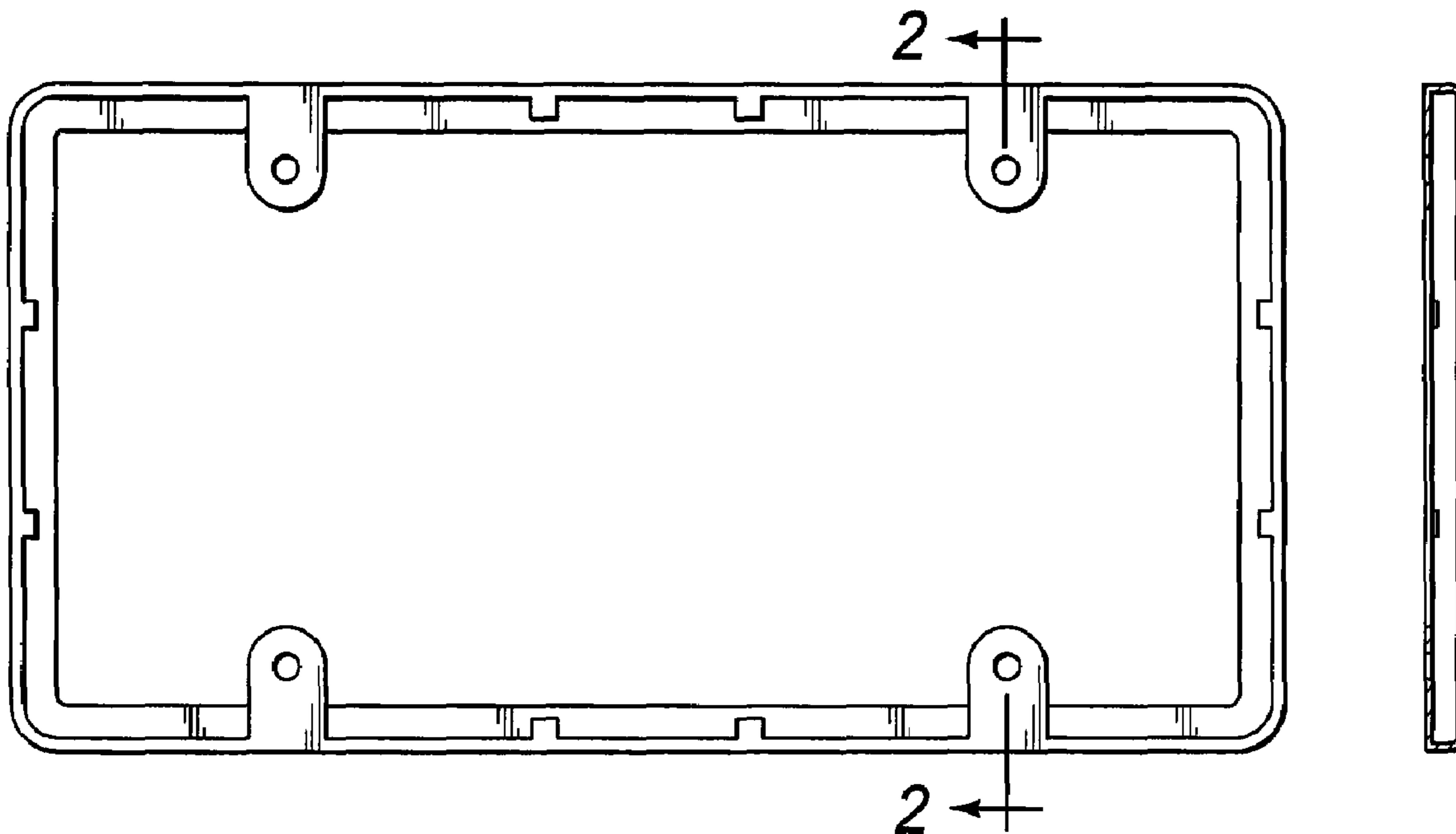
DESCRIPTION

FIG. 1 is a rear elevational view of the foldable license plate holder showing my new design;

FIG. 2 is a cross sectional view thereof, taken in the direction of line 2—2 in FIG. 1; and,

FIG. 3 is a front perspective view of the foldable license plate holder showing my new design thereof.

1 Claim, 1 Drawing Sheet



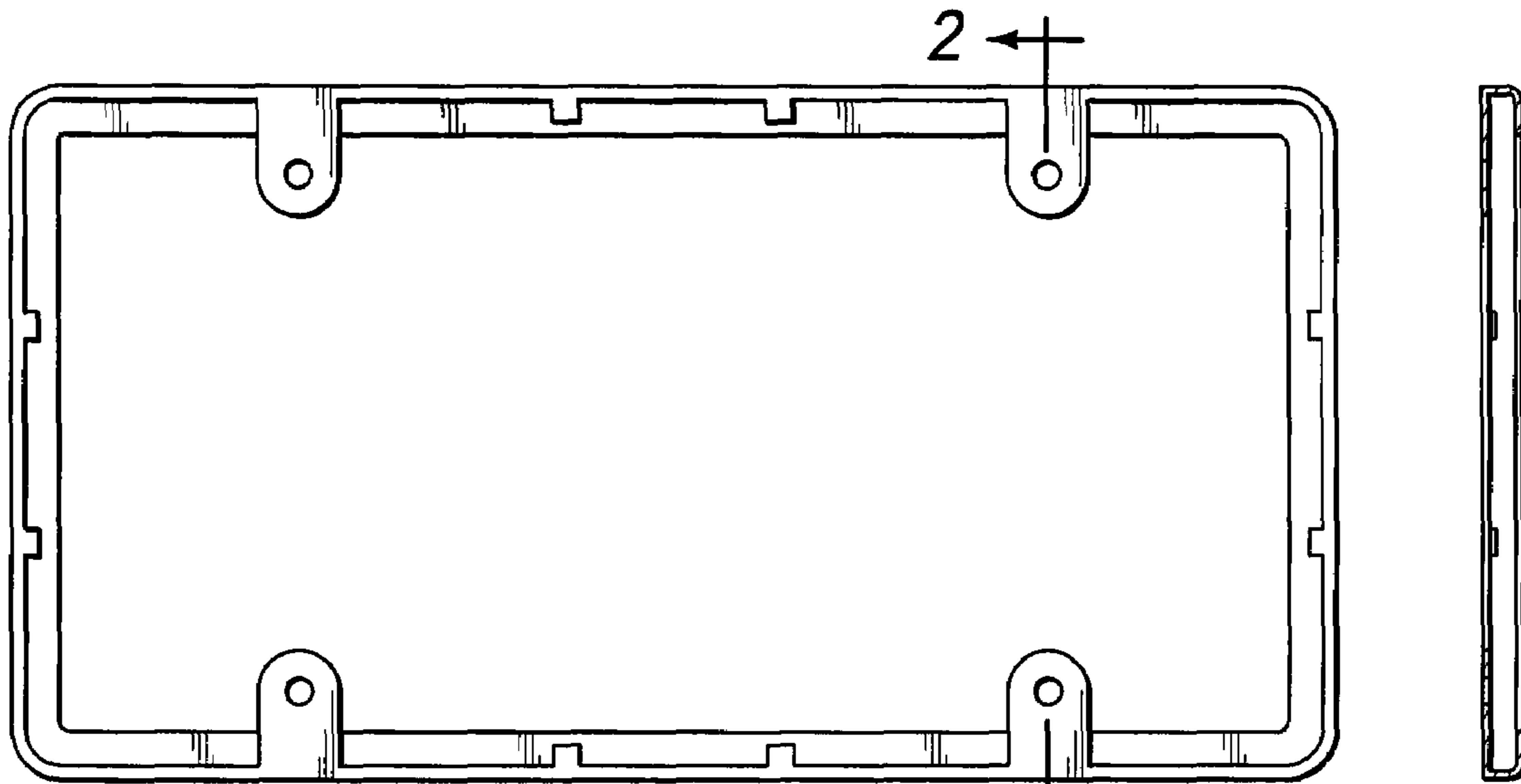


FIG. 1

FIG. 2

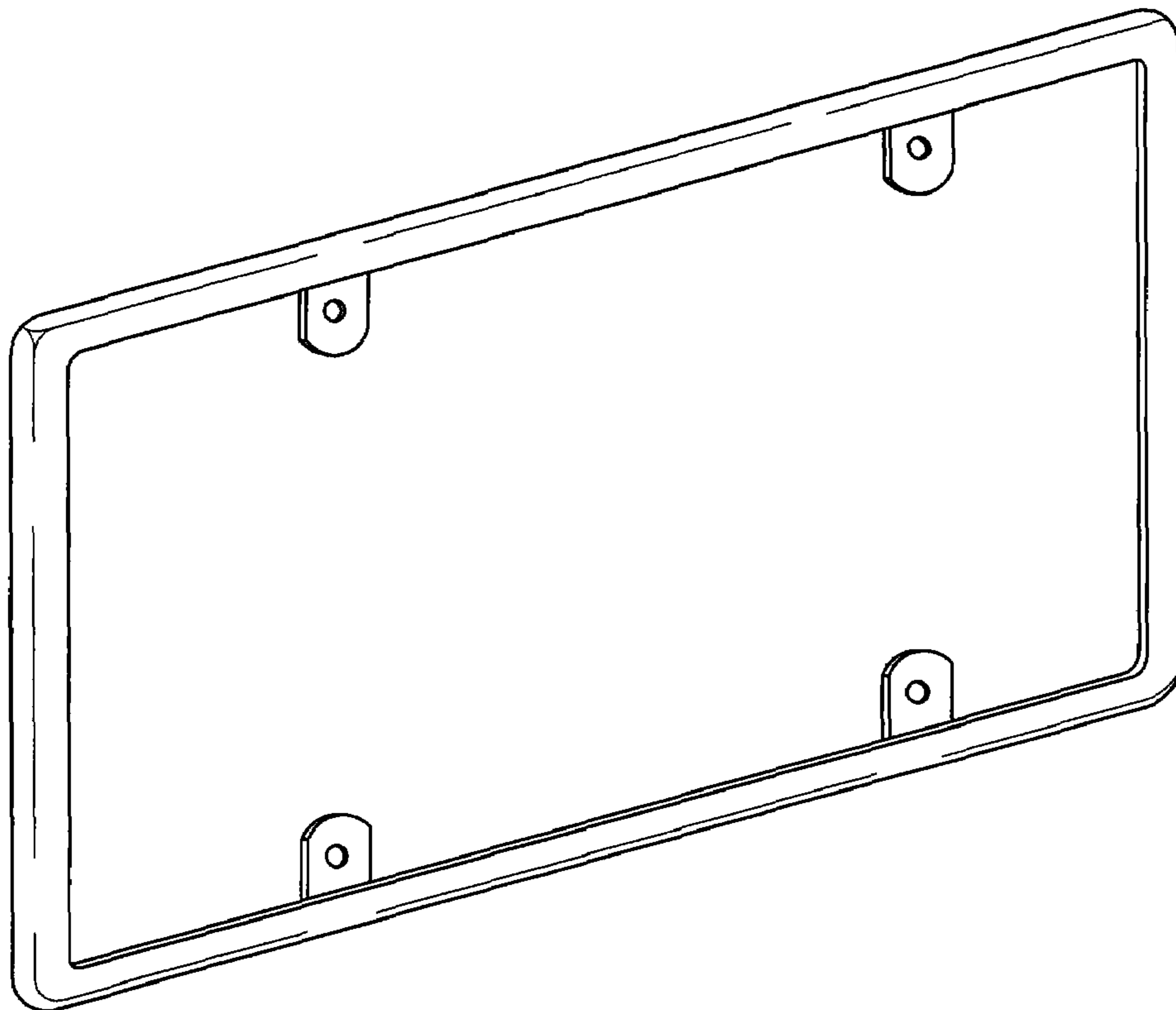


FIG. 3