



US00D590308S

(12) **United States Design Patent**  
**Futschik et al.**

(10) **Patent No.:** **US D590,308 S**  
(45) **Date of Patent:** **\*\* Apr. 14, 2009**

(54) **REAR BUMPER FOR A VEHICLE**

D545,734 S \* 7/2007 Kono ..... D12/169  
D563,842 S \* 3/2008 Pfeiffer ..... D12/169

(75) Inventors: **Hans-Dieter Futschik**, Gechingen (DE);  
**Stefan Handt**, Stuttgart (DE); **Steffen Koehl**, Stuttgart (DE); **Frank Pfisterer**, Weil der Stadt (DE)

\* cited by examiner

*Primary Examiner*—Melody N Brown

(74) *Attorney, Agent, or Firm*—Crowell & Moring LLP

(73) Assignee: **Daimler AG**, Stuttgart (DE)

(57) **CLAIM**

(\*\*) Term: **14 Years**

The ornamental design for a rear bumper for a vehicle, as shown and described.

(21) Appl. No.: **29/300,895**

(22) Filed: **May 27, 2008**

**DESCRIPTION**

(30) **Foreign Application Priority Data**

Nov. 28, 2007 (DE) ..... 40705900

FIG. 1 is a left perspective view of a rear bumper for a vehicle according to our novel design;

(51) **LOC (9) Cl.** ..... **12-16**

FIG. 2 is a front view thereof;

(52) **U.S. Cl.** ..... **D12/169**

FIG. 3 is a top view thereof;

(58) **Field of Classification Search** ..... D12/169,  
D12/196, 171, 163, 216, 90-92, 86; 293/102,  
293/113, 115, 117, 120; 296/180.1, 180.2  
See application file for complete search history.

FIG. 4 is a right side view thereof;

FIG. 5 is a left side view thereof;

FIG. 6 is a bottom view thereof; and,

FIG. 7 is a right perspective view thereof.

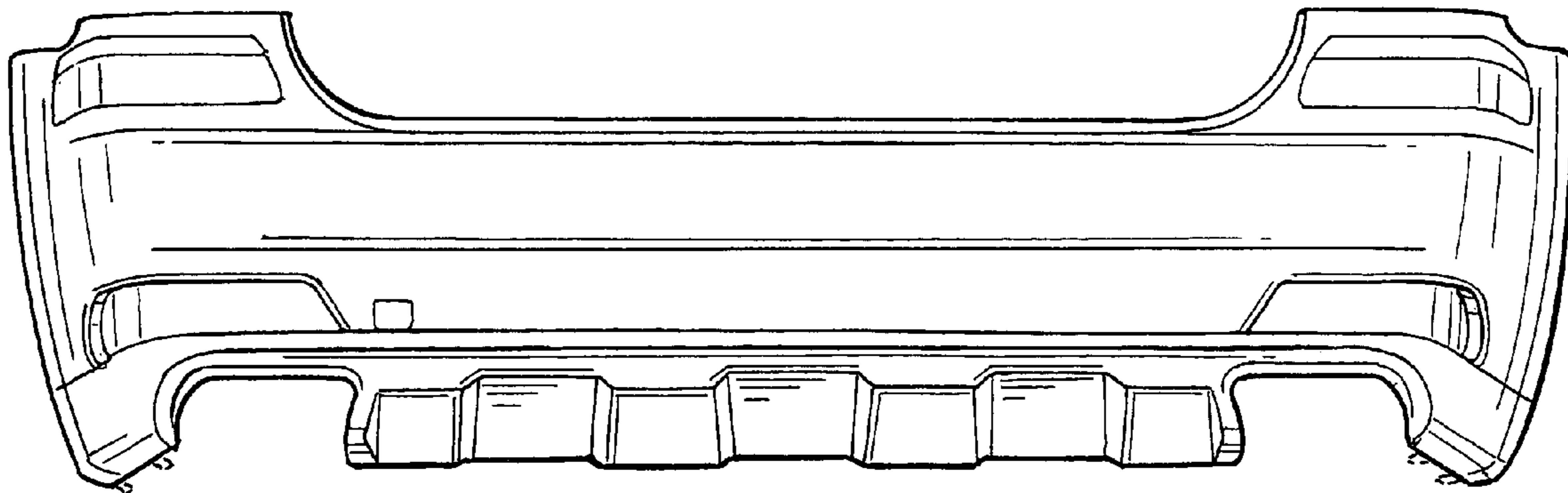
The broken lines are for illustrative purposes only and form no part of the claimed design.

(56) **References Cited**

**U.S. PATENT DOCUMENTS**

D537,392 S 2/2007 Pfeiffer  
D544,404 S 6/2007 Pfeiffer

**1 Claim, 4 Drawing Sheets**



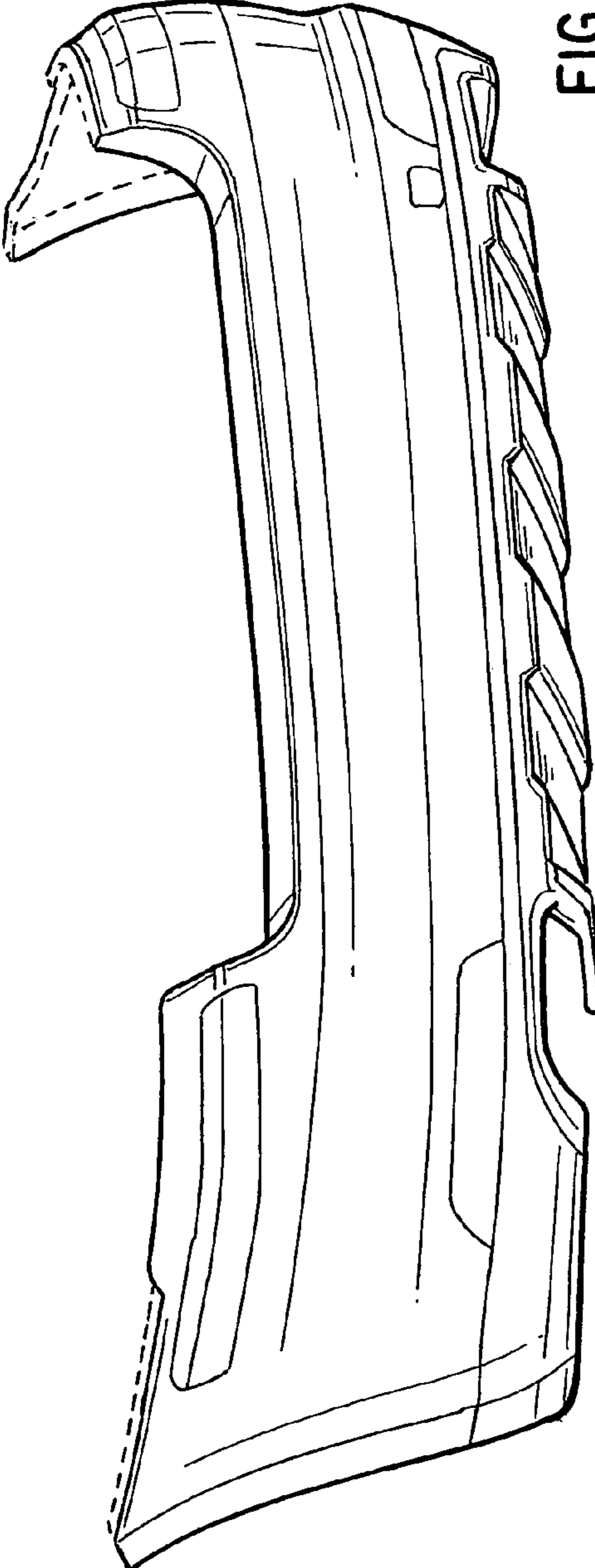


FIG. 1

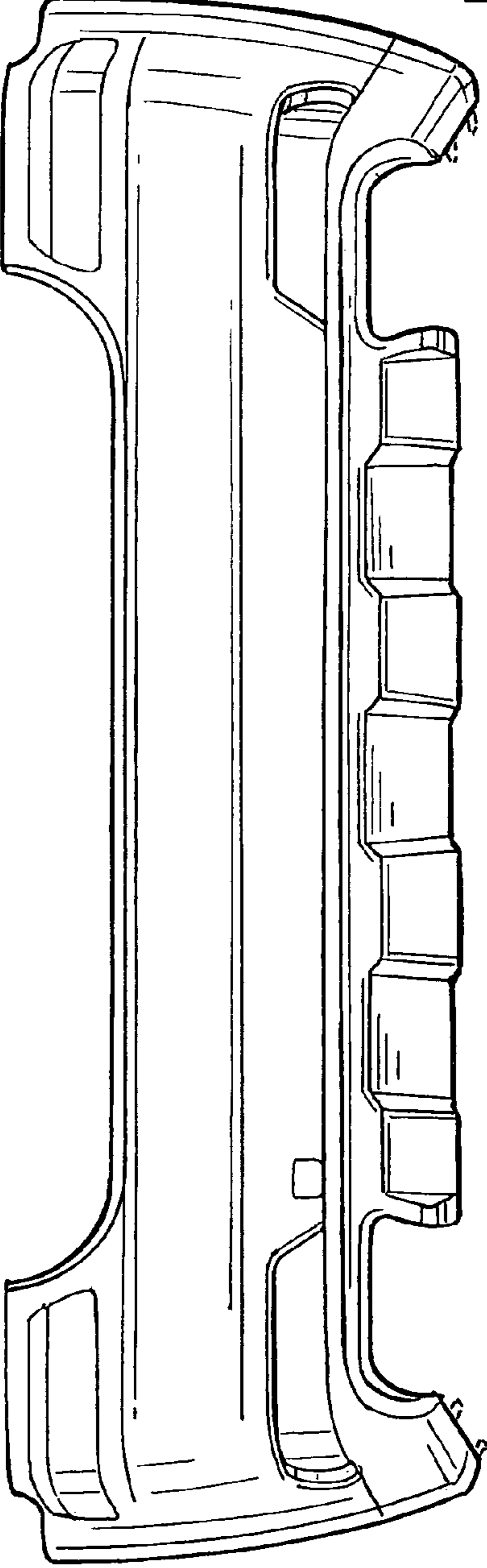
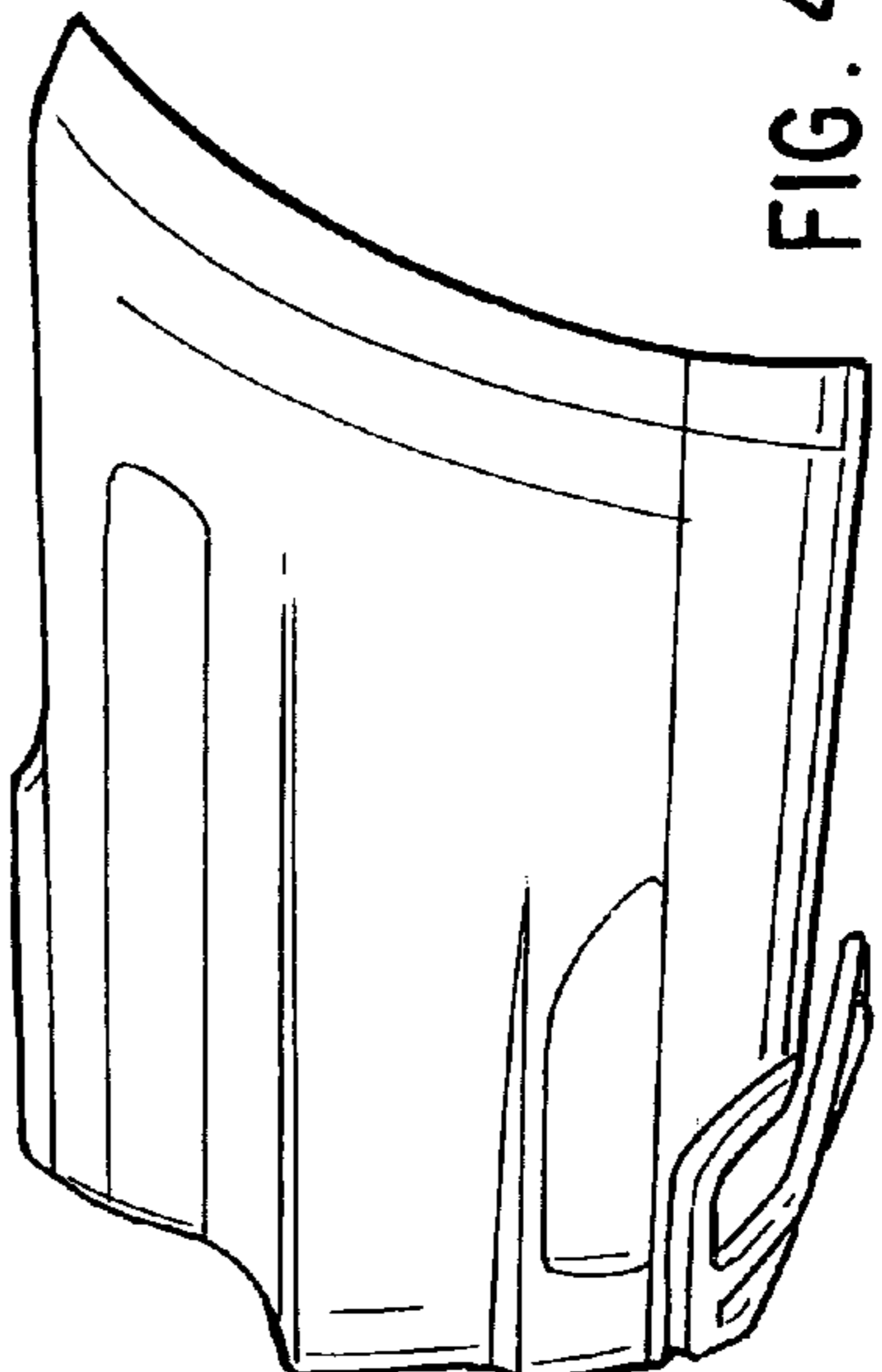
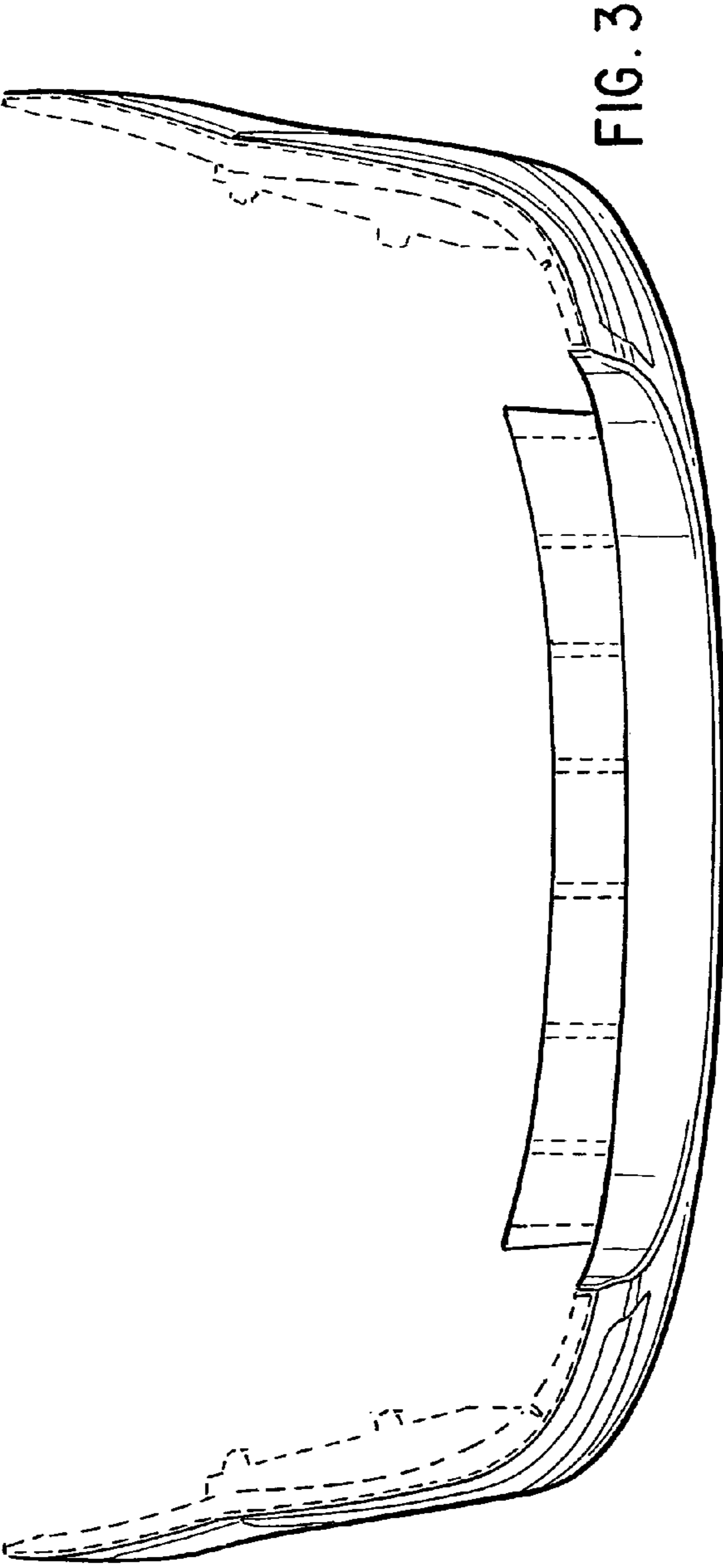


FIG. 2



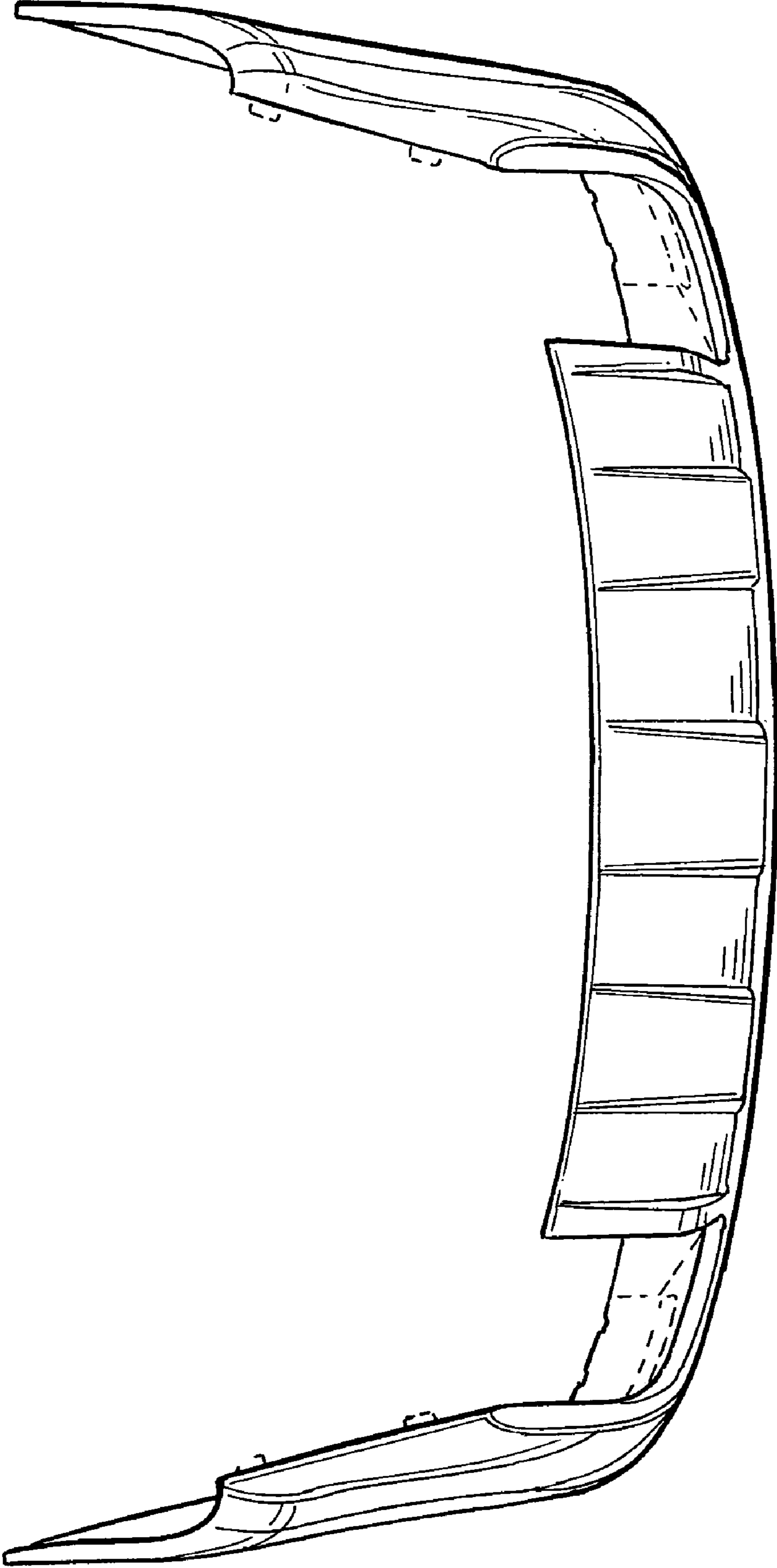


FIG. 6

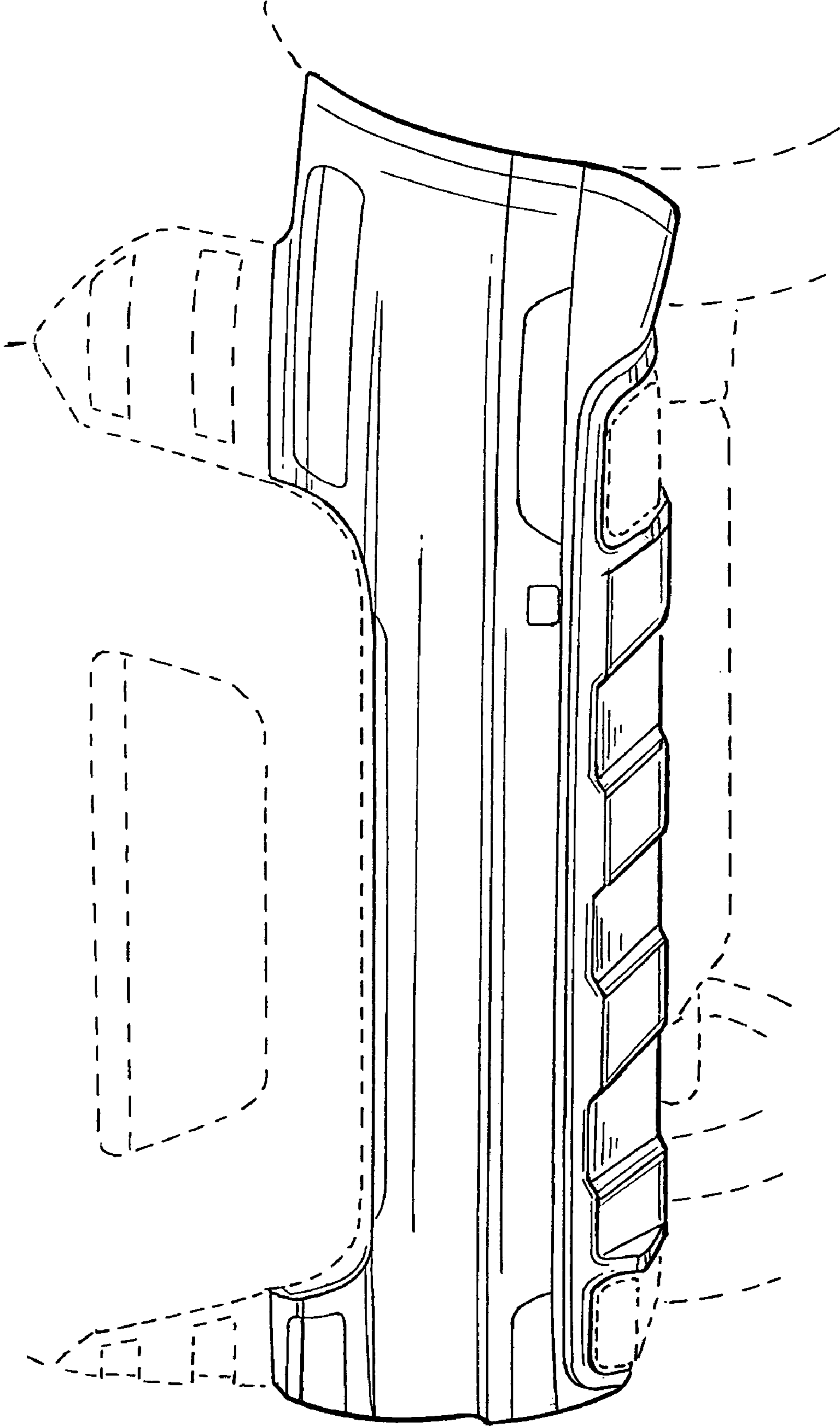


FIG. 7