



US00D590306S

(12) **United States Design Patent**
Saracoglu

(10) **Patent No.:** **US D590,306 S**
(45) **Date of Patent:** **** Apr. 14, 2009**

(54) **AUTOMOBILE BUMPER**

D559,746 S * 1/2008 Hieke D12/169
D570,262 S * 6/2008 Elmitt D12/169
D574,305 S * 8/2008 Baum D12/169

(75) Inventor: **Hakan Saracoglu**, Stuttgart (DE)

(73) Assignee: **Dr. Ing. h.c. F. Porsche**
Aktiengesellschaft, Weissach (DE)

* cited by examiner

(**) Term: **14 Years**

Primary Examiner—Melody N Brown

(21) Appl. No.: **29/281,374**

(57) **CLAIM**

(22) Filed: **Jun. 21, 2007**

The ornamental design for an automobile bumper, as shown and described.

(30) **Foreign Application Priority Data**

Dec. 23, 2006 (DE) 4 06 06 547

DESCRIPTION

(51) **LOC (9) Cl.** **12-16**

(52) **U.S. Cl.** **D12/169**

(58) **Field of Classification Search** D12/169,
D12/196, 171, 163, 216, 90–92, 86; 293/102,
293/113, 115, 117, 120; 296/180.1, 180.2
See application file for complete search history.

FIG. 1 is a front view of an automobile bumper, showing my new design;

FIG. 2 is a rear view thereof;

FIG. 3 is a right-side view thereof;

FIG. 4 is a left-side view thereof;

FIG. 5 is a top plan view thereof; and,

FIG. 6 is a bottom view thereof.

(56) **References Cited**

U.S. PATENT DOCUMENTS

D559,744 S * 1/2008 Hieke D12/169

1 Claim, 3 Drawing Sheets

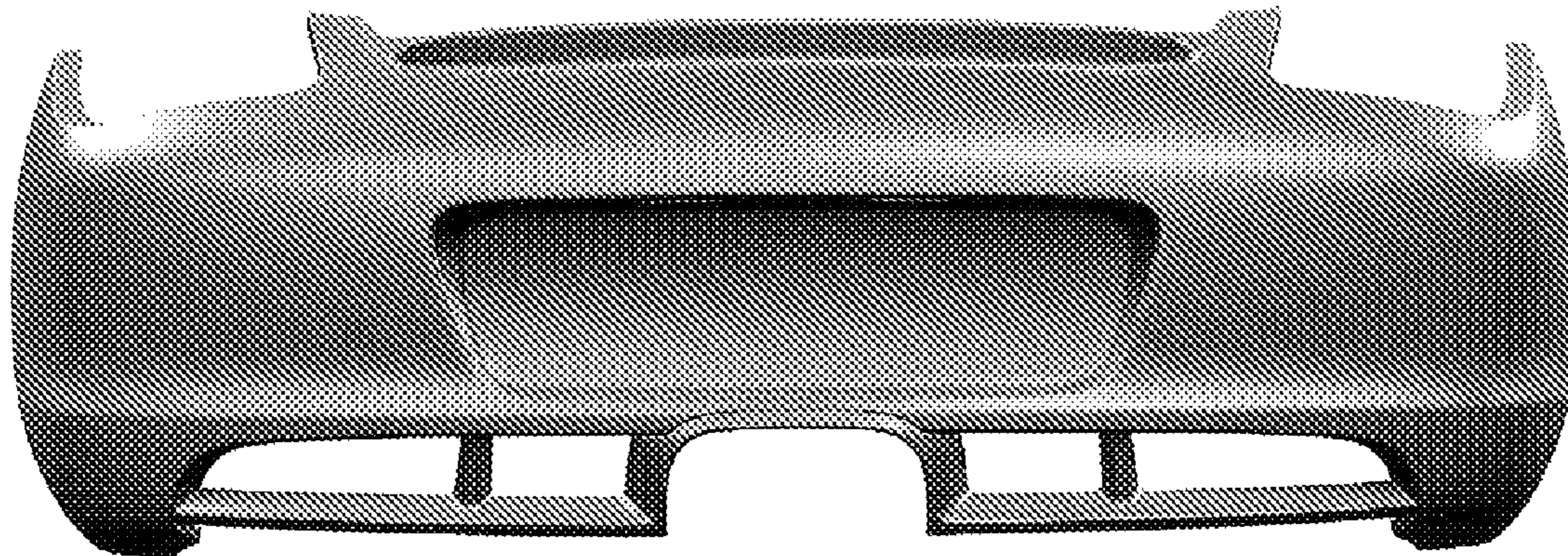


FIG.1

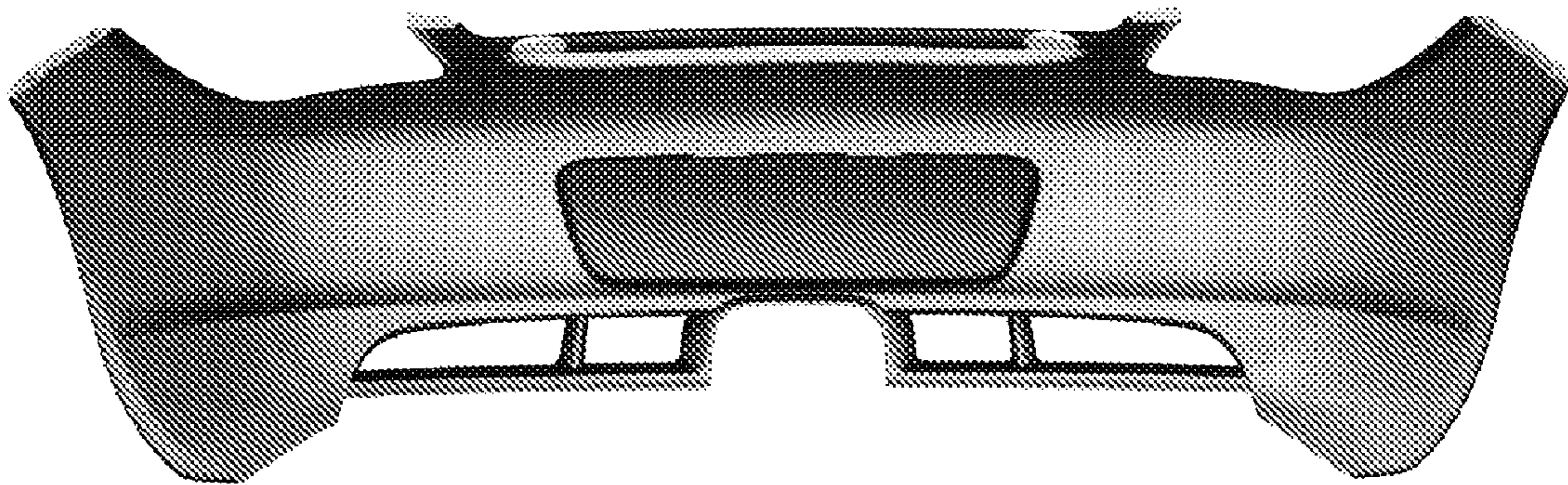
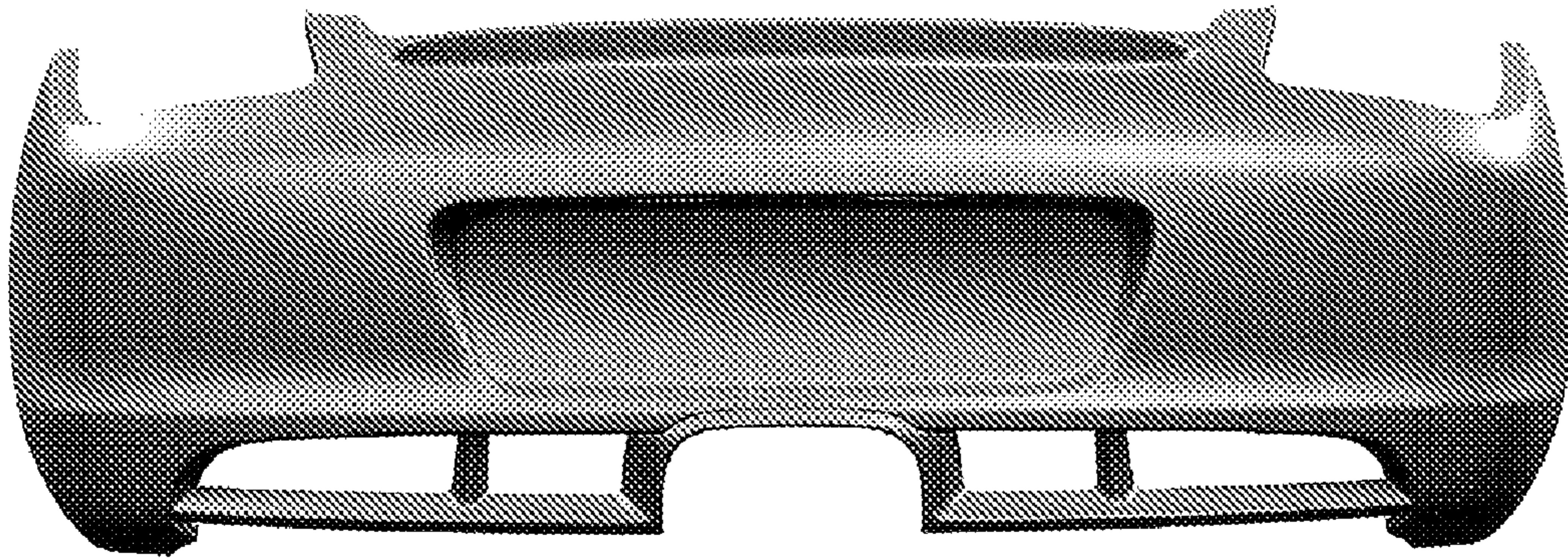


FIG.2

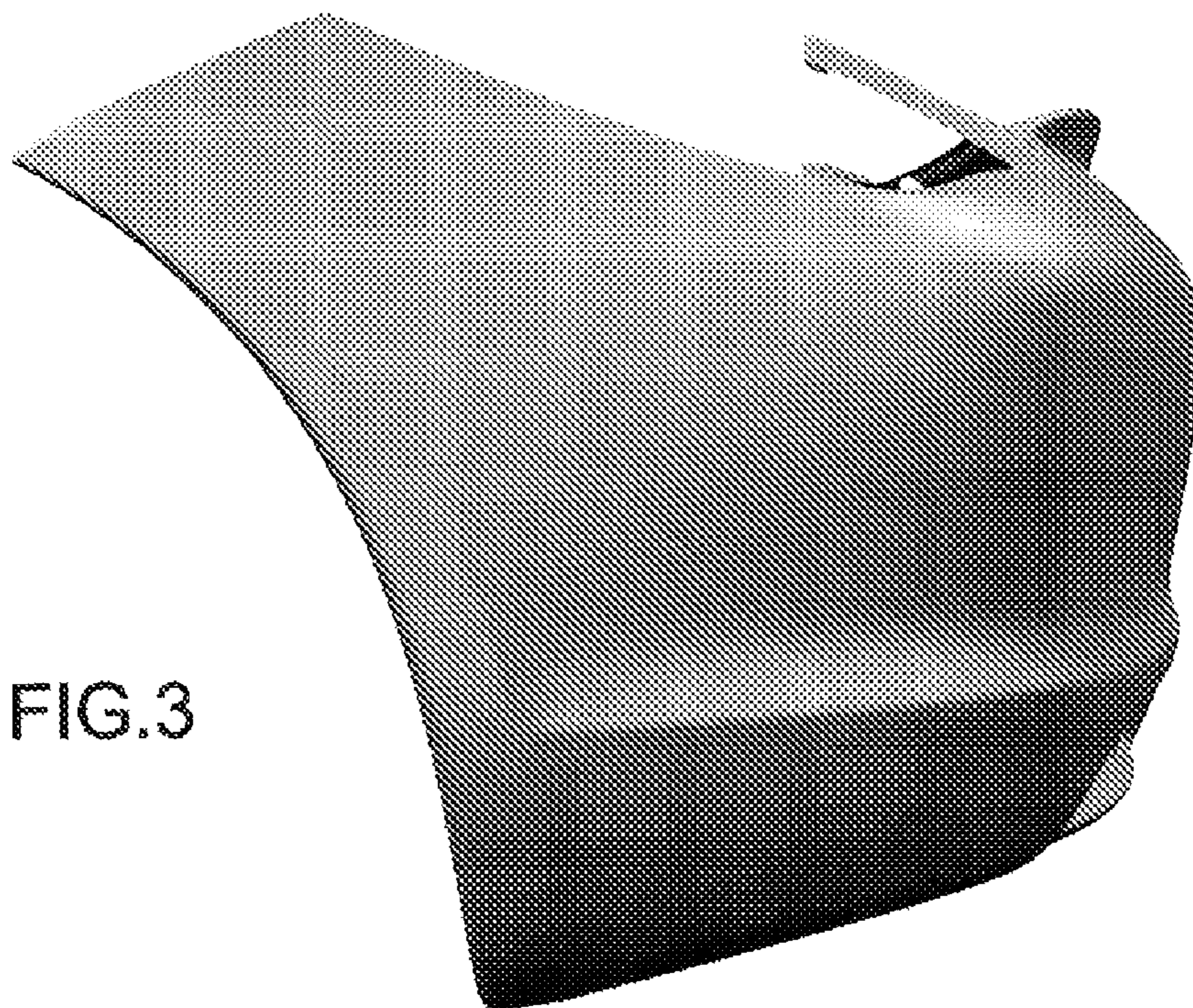


FIG.3

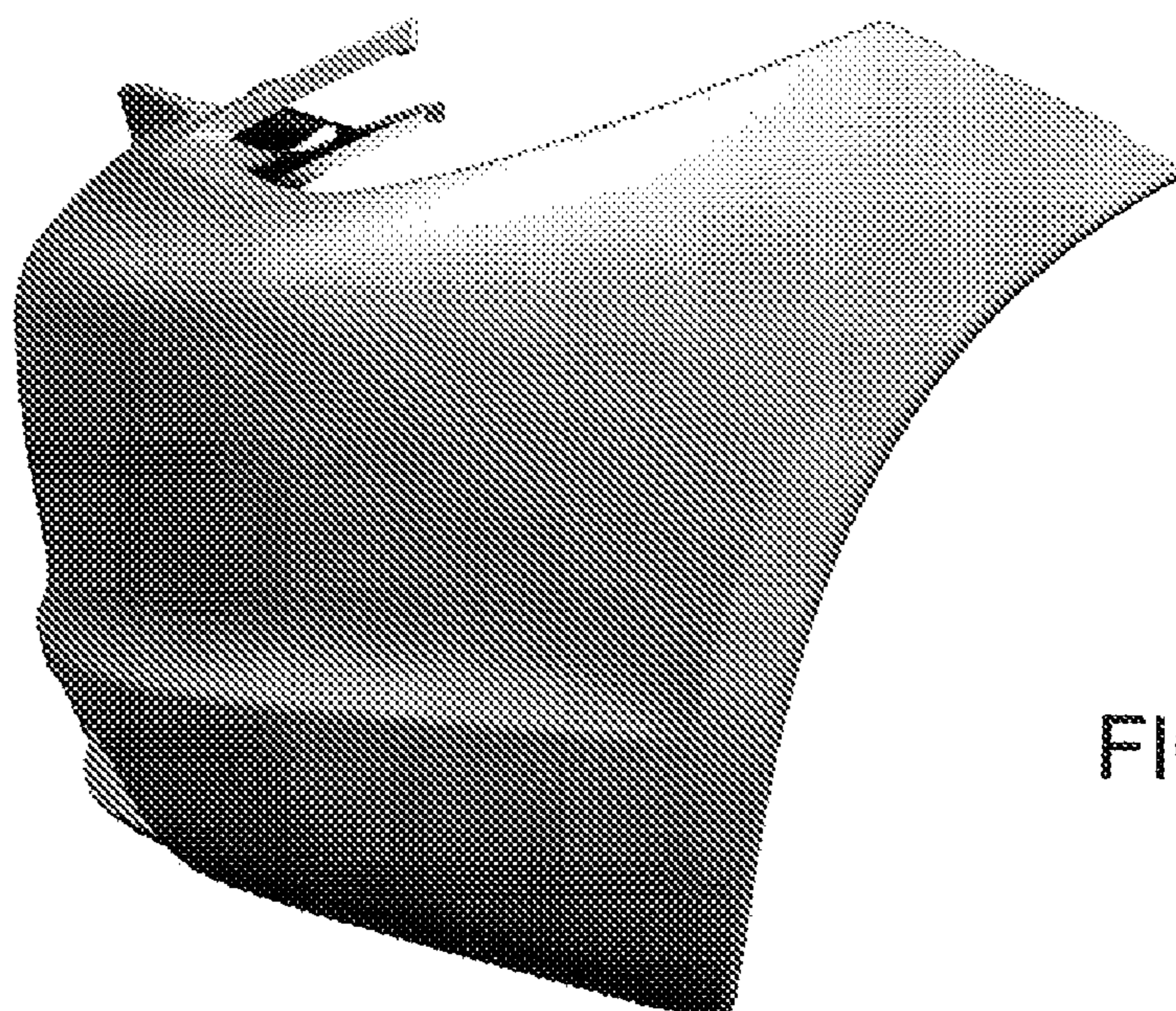


FIG.4

