



US00D590304S

(12) **United States Design Patent**  
**Kruse**

(10) **Patent No.:** **US D590,304 S**

(45) **Date of Patent:** **\*\* Apr. 14, 2009**

(54) **PERSONAL MOBILITY VEHICLE**

7,040,429 B2 \* 5/2006 Molnar ..... 180/65.1  
D569,769 S \* 5/2008 Chiu et al. .... D12/131  
7,370,876 B2 \* 5/2008 Hsu et al. .... 280/650

(75) Inventor: **Thomas E. Kruse**, Sarasota, FL (US)

\* cited by examiner

(73) Assignee: **Hoveround Corporation**, Sarasota, FL (US)

*Primary Examiner*—Charles A Rademaker

*Assistant Examiner*—Charles D Hanson

(\*\*) Term: **14 Years**

(74) *Attorney, Agent, or Firm*—Arthur W. Fisher, III

(21) Appl. No.: **29/286,087**

(57) **CLAIM**

(22) Filed: **Apr. 23, 2007**

I claim the ornamental design for a personal mobility vehicle, as shown and described.

(51) **LOC (9) Cl.** ..... **12-12**

(52) **U.S. Cl.** ..... **D12/131**

(58) **Field of Classification Search** ..... D12/128–133;  
280/62, 647–650, 29, 200, 47.38, 35, 250.1,  
280/259, 642, 658; 296/65.03, 65.04; 135/65–67,  
135/74

See application file for complete search history.

**DESCRIPTION**

FIG. 1 is a front right perspective view of a personal mobility vehicle showing my new design.

FIG. 2 is a right side elevation thereof;

FIG. 3 is a front elevation thereof;

FIG. 4 is a top plan view thereof;

FIG. 5 is a left front perspective view thereof;

FIG. 6 is a right rear perspective view thereof;

FIG. 7 is a left rear perspective view thereof;

FIG. 8 is a left side elevation thereof; and,

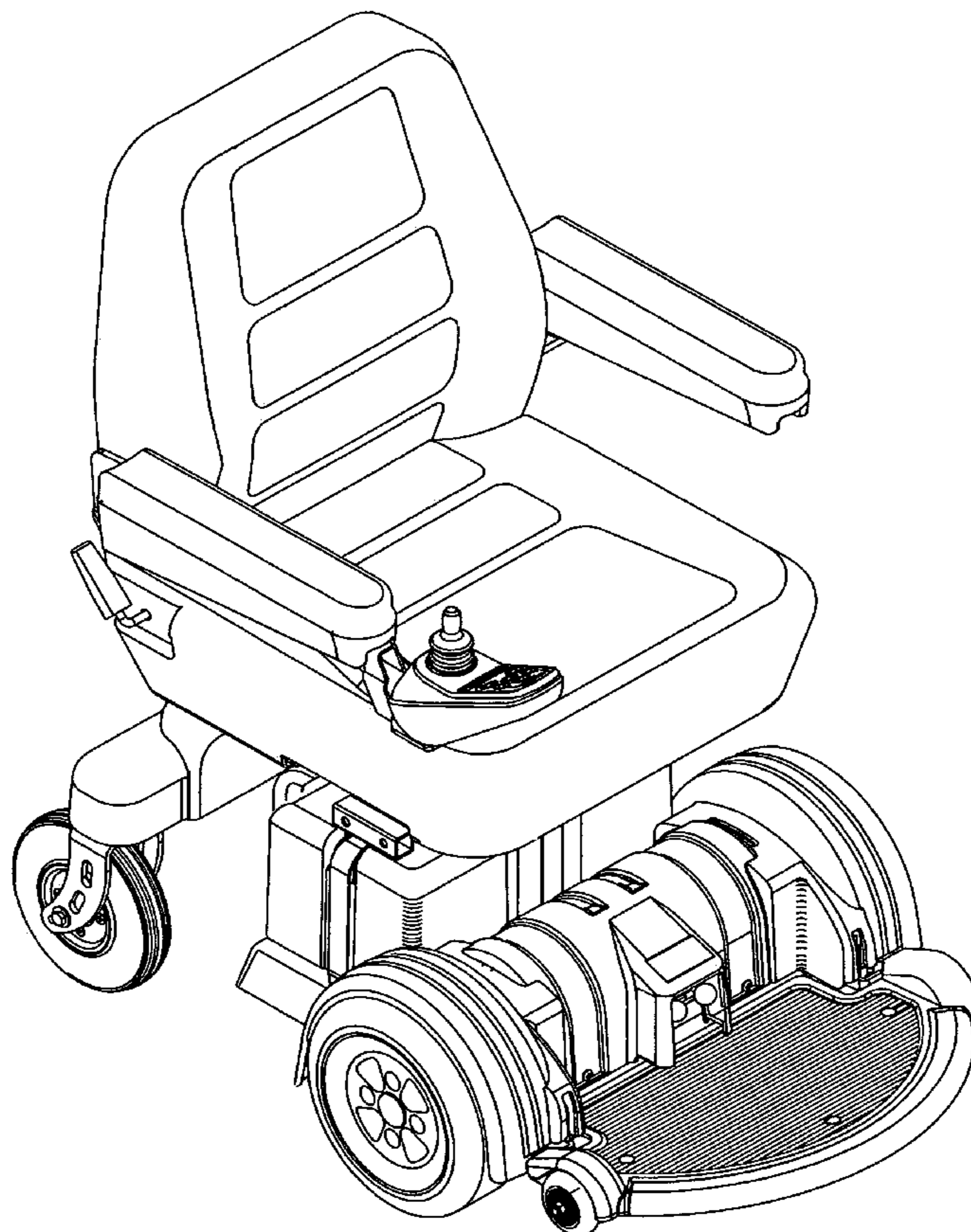
FIG. 9 is a rear elevation thereof.

(56) **References Cited**

U.S. PATENT DOCUMENTS

D287,836 S \* 1/1987 Chan et al. .... D12/131  
D356,530 S \* 3/1995 Bee et al. .... D12/131  
D404,693 S \* 1/1999 Schaffner ..... D12/131  
6,152,478 A \* 11/2000 Hung ..... 280/650  
D462,639 S \* 9/2002 Lin ..... D12/131  
6,938,923 B2 \* 9/2005 Mulhern et al. .... 20/755

**1 Claim, 9 Drawing Sheets**



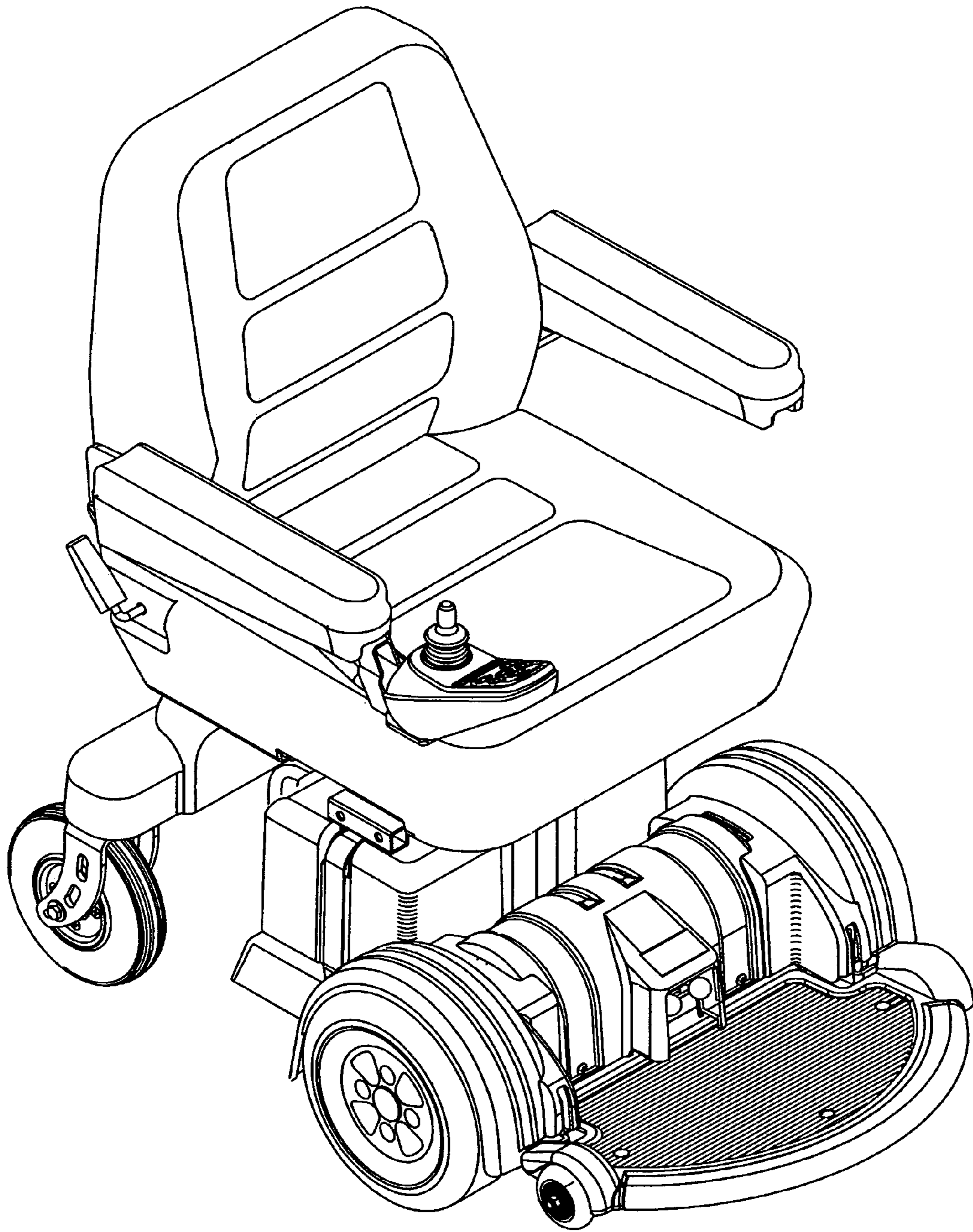


FIG. 1

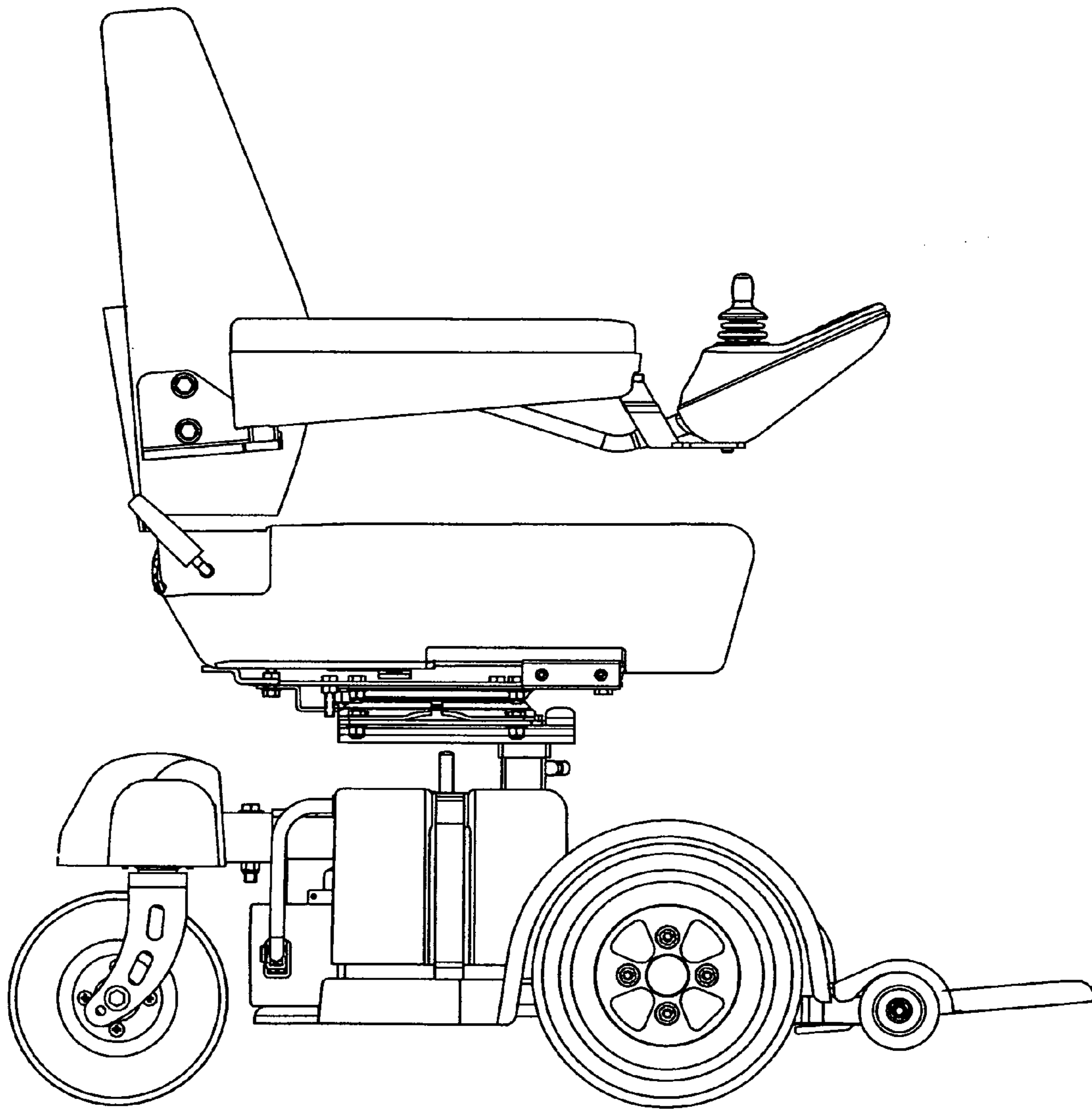


FIG. 2

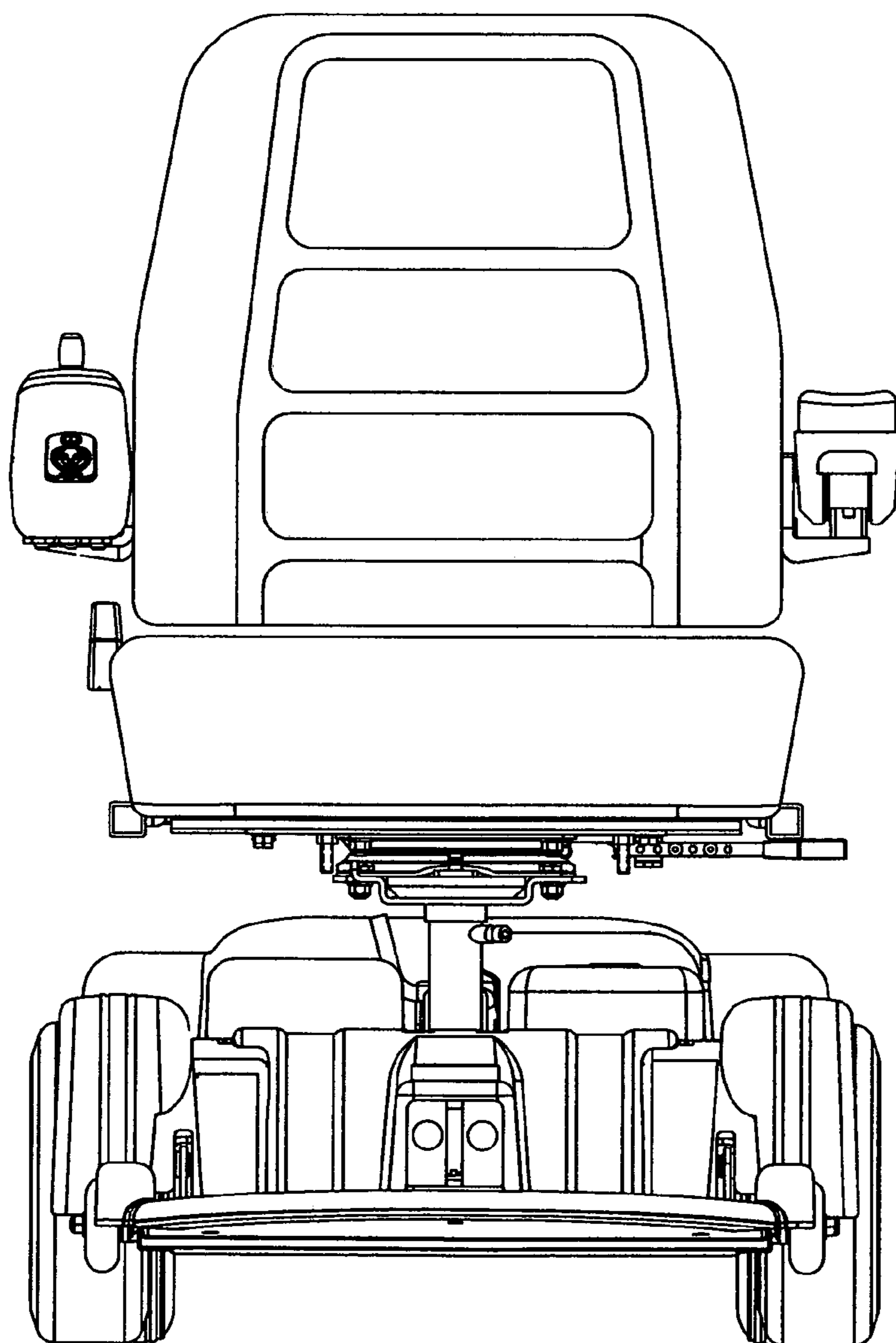


FIG. 3

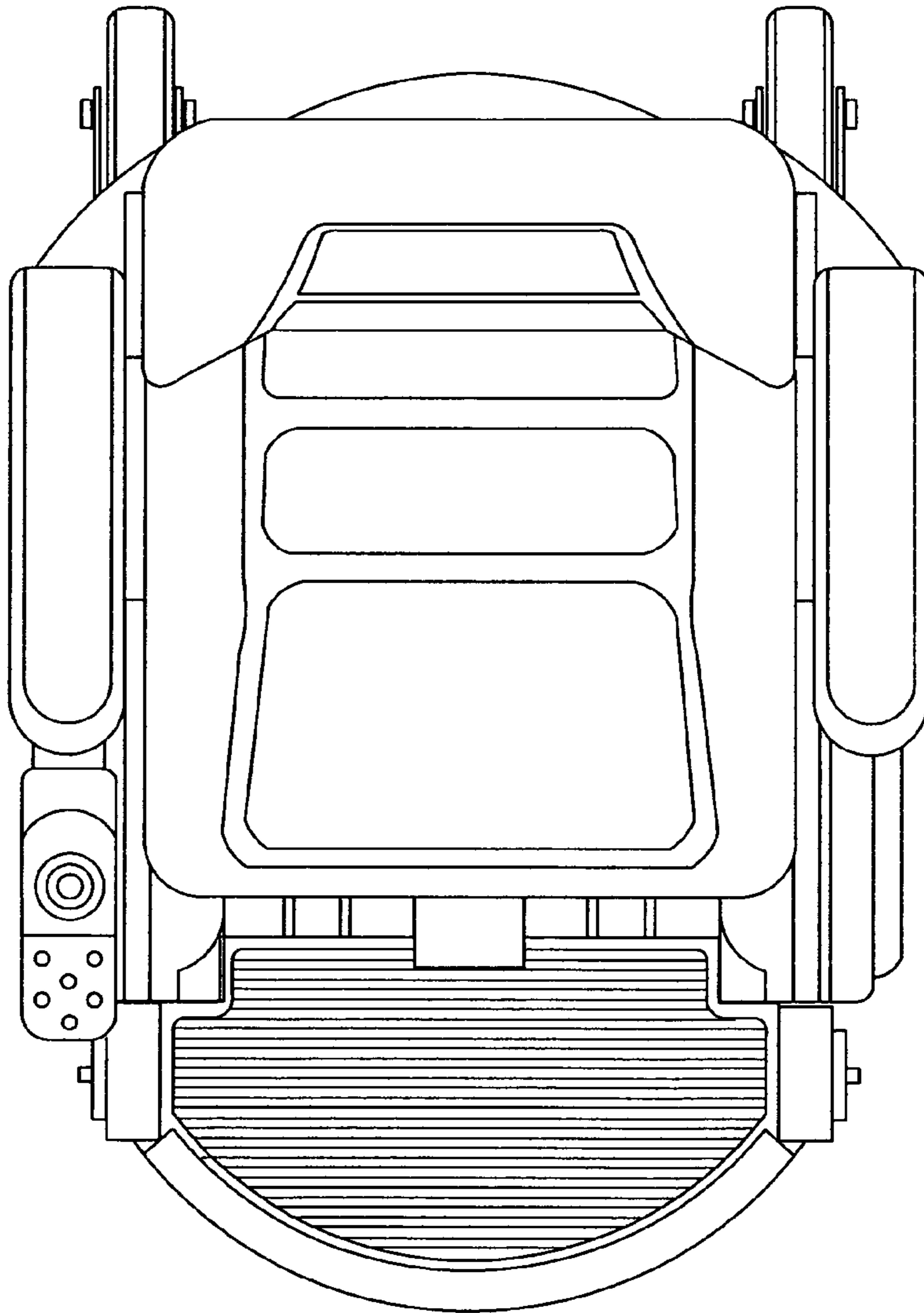


FIG. 4

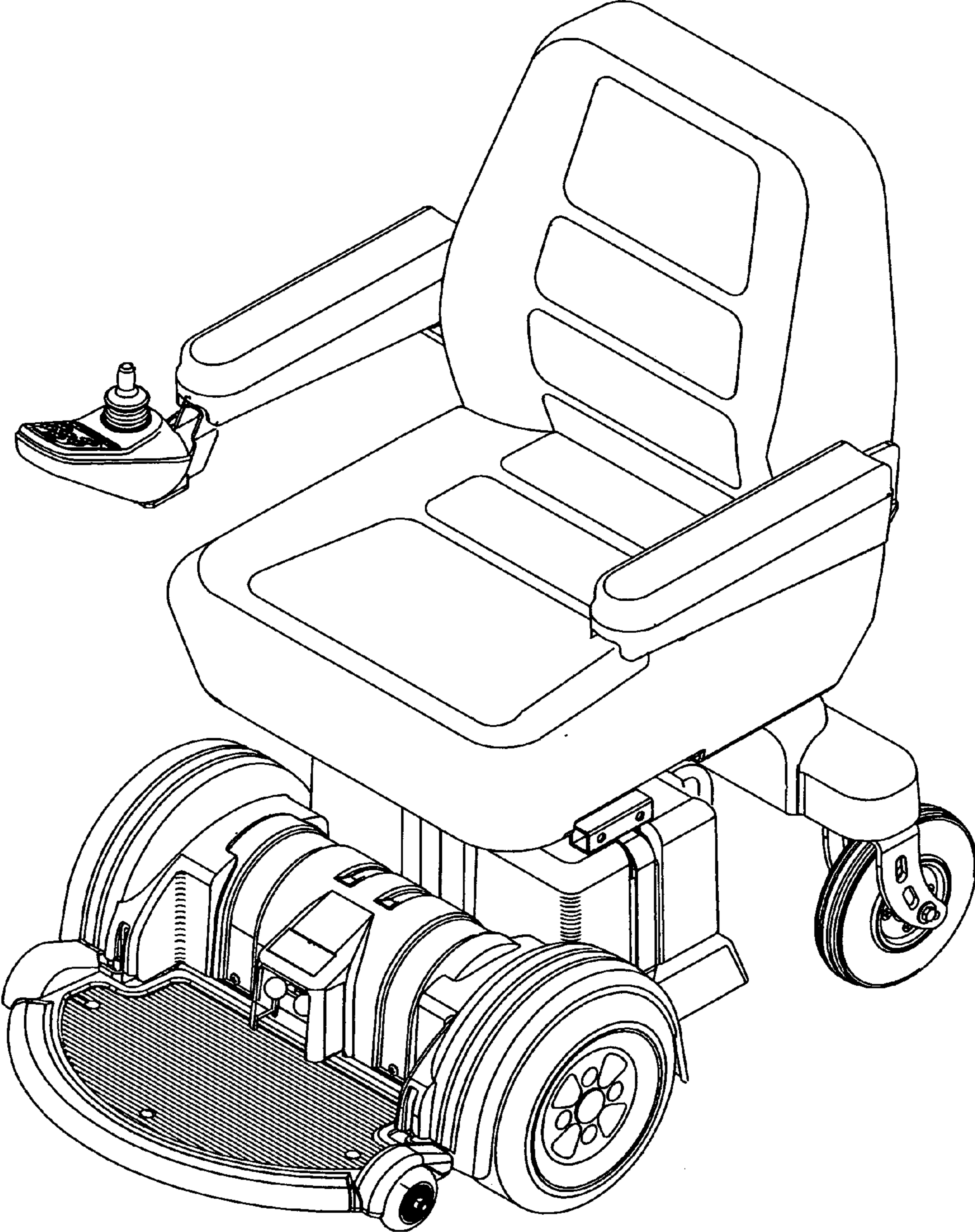


FIG. 5

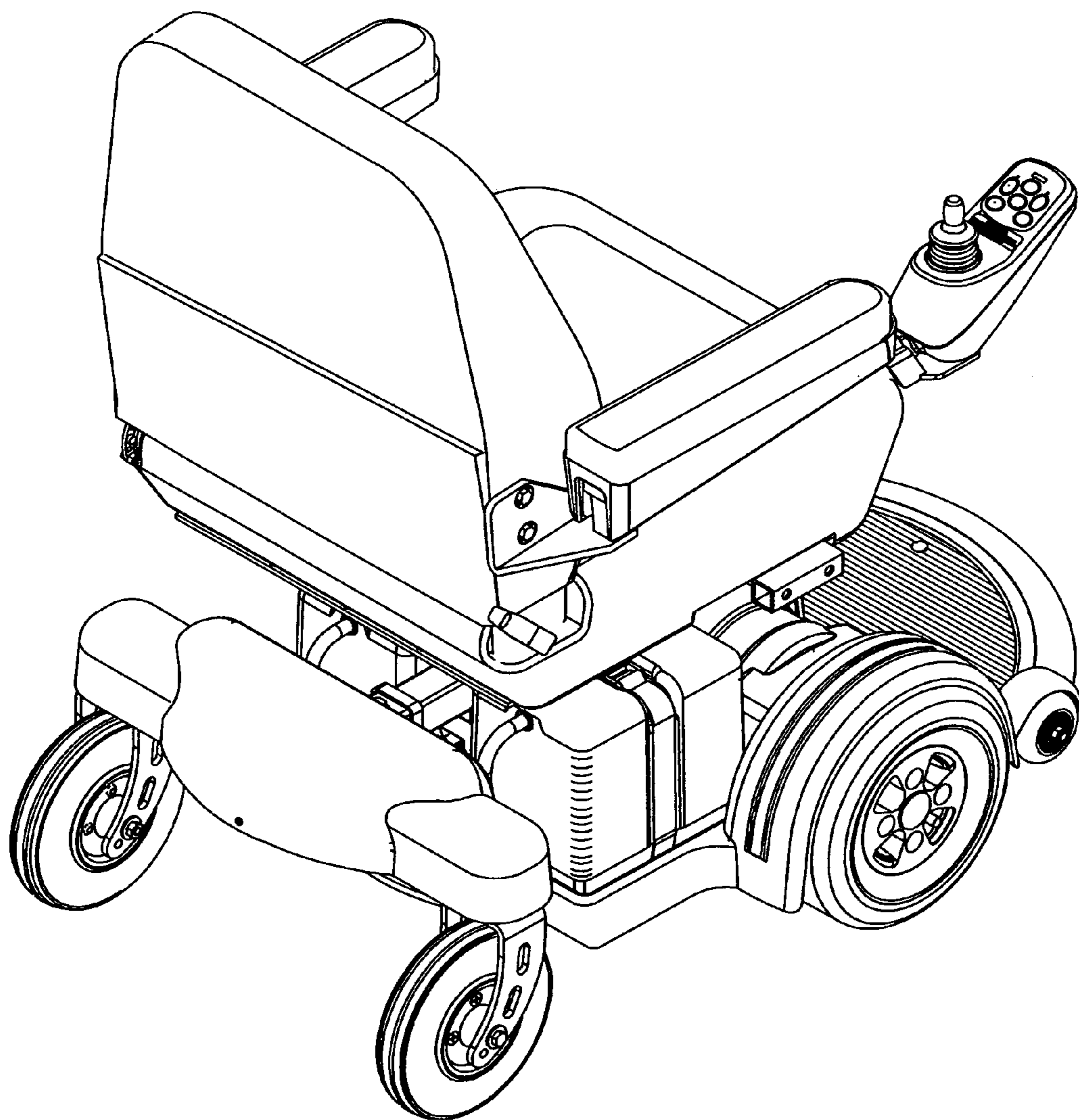


FIG. 6

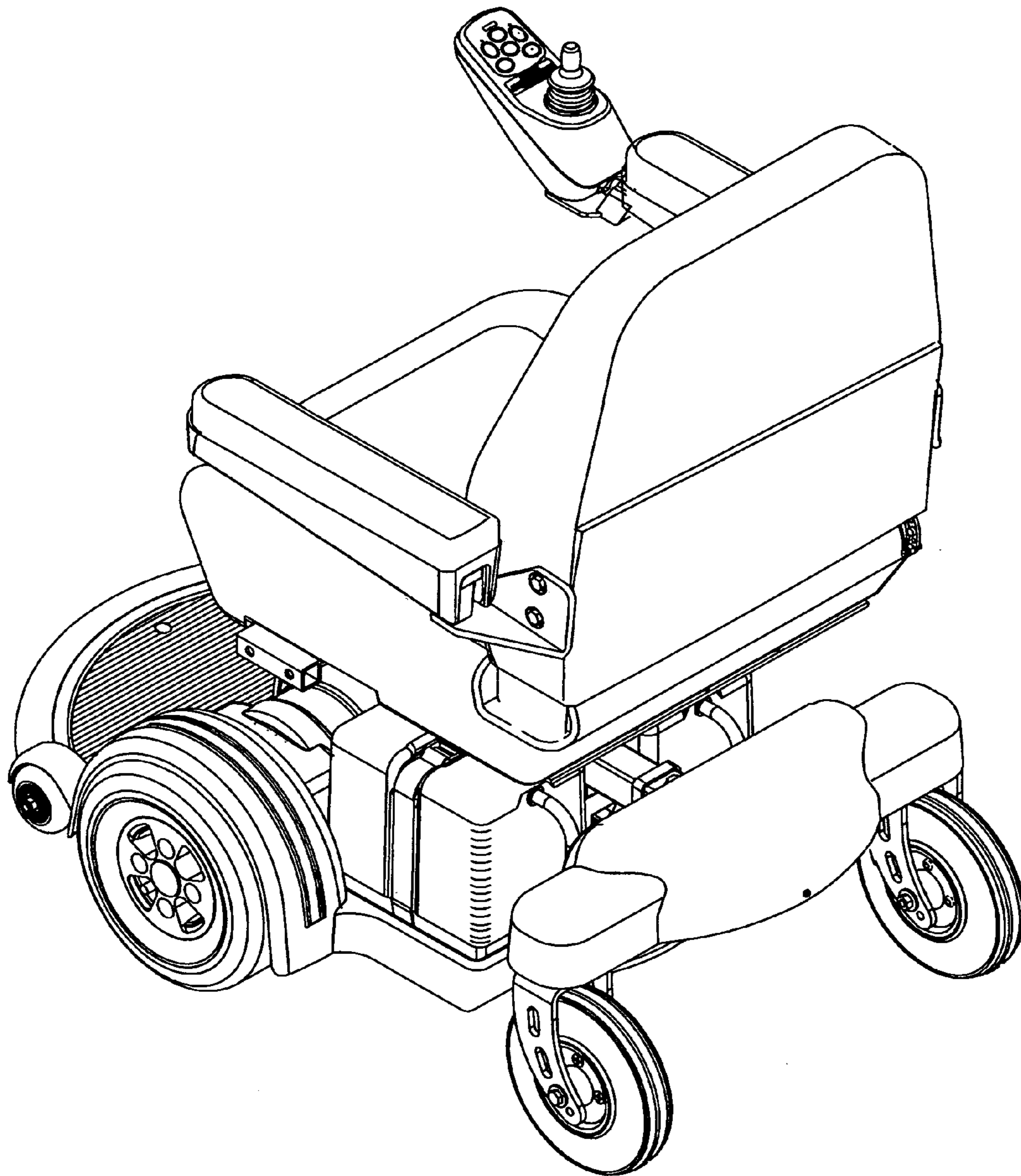


FIG. 7



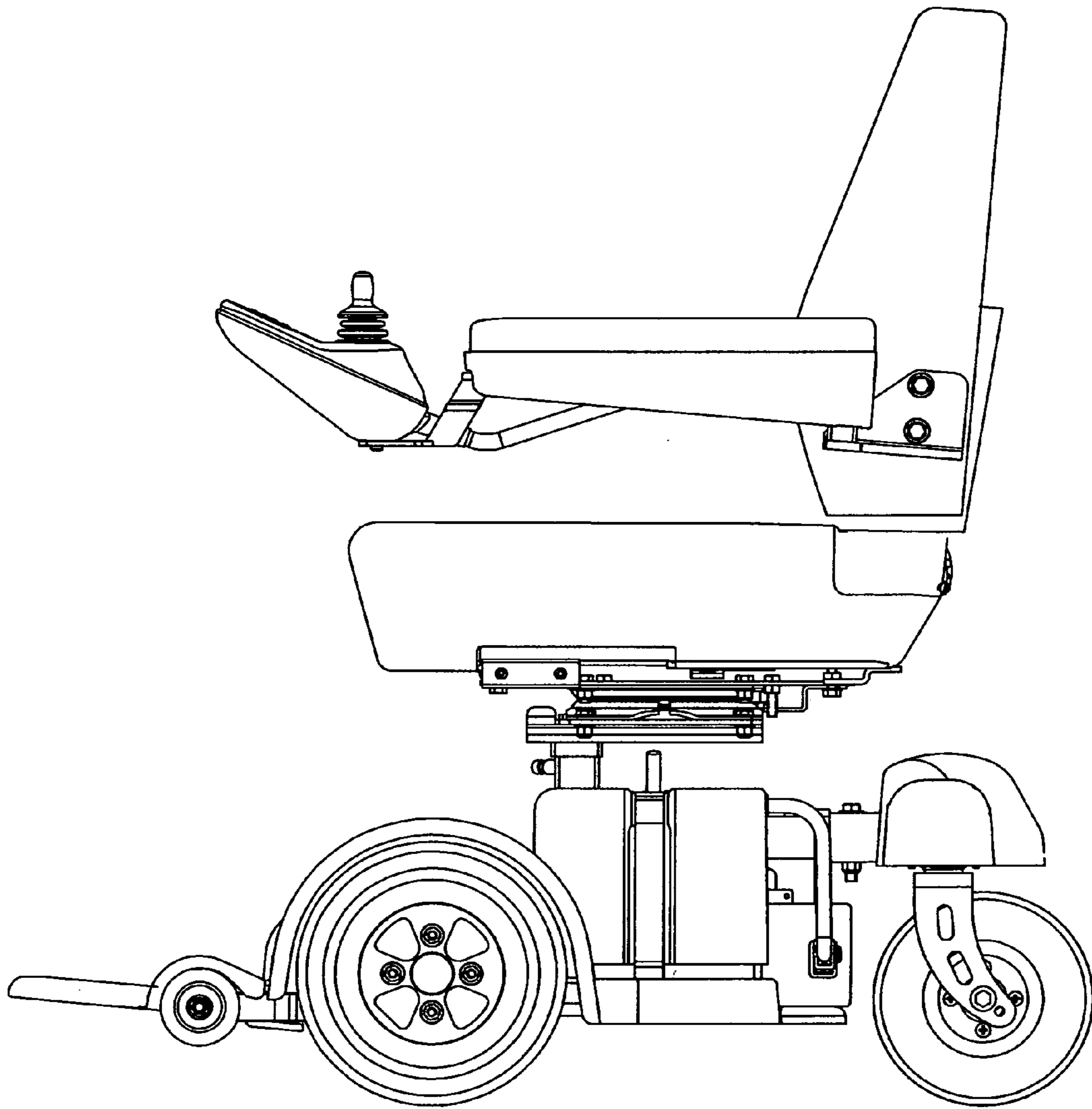


FIG. 8

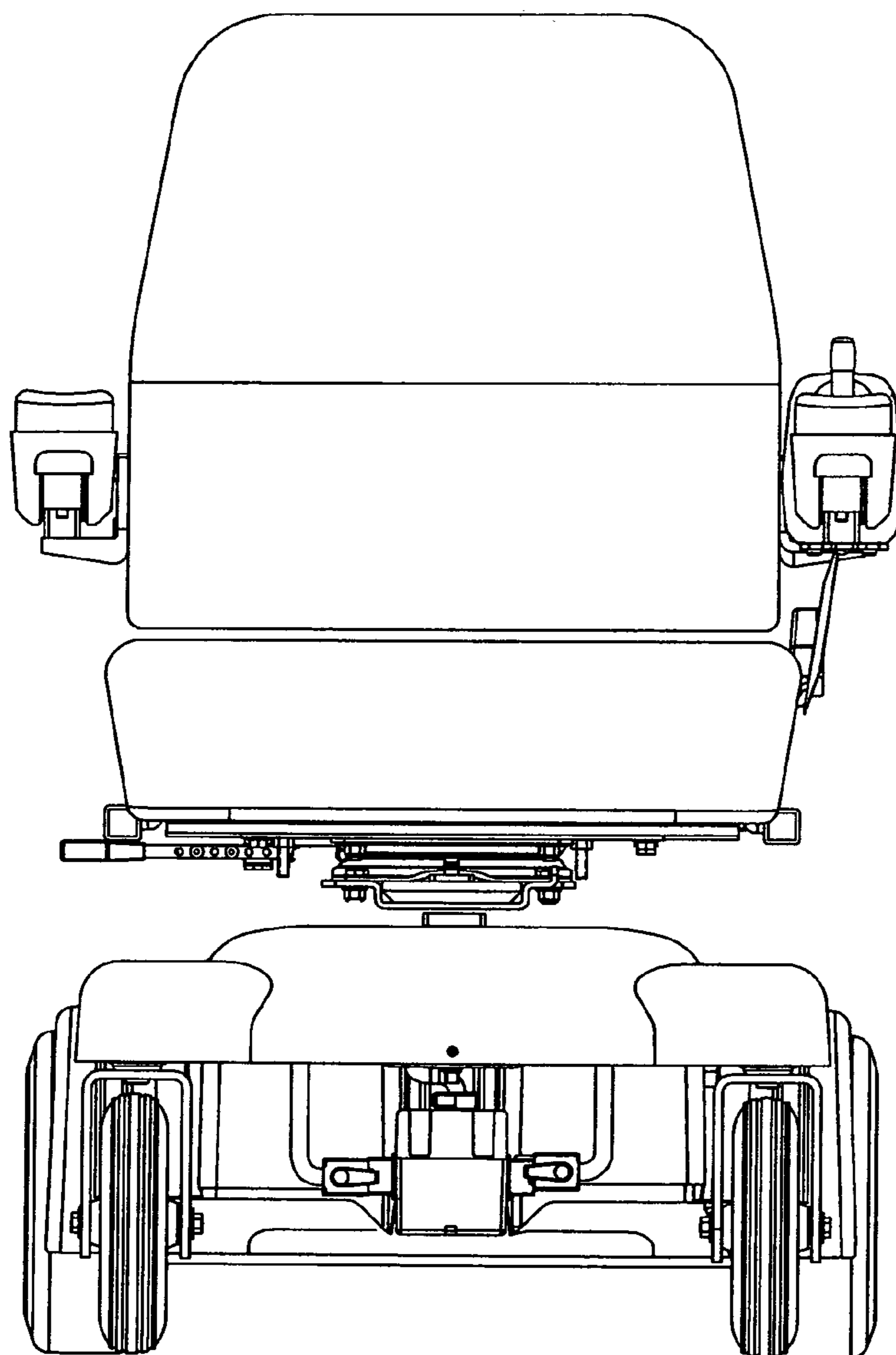


FIG. 9