

US00D590298S

(12) **United States Design Patent**  
**Guay et al.**

(10) **Patent No.:** **US D590,298 S**

(45) **Date of Patent:** **\*\* Apr. 14, 2009**

(54) **SNOWMOBILE**

D495,973 S \* 9/2004 Cadotte et al. .... D12/7  
D505,889 S \* 6/2005 Girouard et al. .... D12/7  
D580,824 S \* 11/2008 Longpre et al. .... D12/7

(75) Inventors: **Etienne Guay**, Orford (CA); **Guillaume Longpre**, Granby (CA); **Alain Massicotte**, Orford (CA); **Nicolas Deluy**, Sherbrooke (CA)

\* cited by examiner

*Primary Examiner*—T. Chase Nelson

*Assistant Examiner*—Ania K Dworzecka

(73) Assignee: **Bombardier Recreational Products Inc.**, Valcourt (CA)

(74) *Attorney, Agent, or Firm*—Osler , Hoskin & Harcourt LLP

(\*\*) Term: **14 Years**

(57) **CLAIM**

(21) Appl. No.: **29/324,025**

The ornamental design for a snowmobile, as shown.

(22) Filed: **Sep. 4, 2008**

**DESCRIPTION**

(51) **LOC (9) Cl.** ..... **12-14**

FIG. 1 is a front left perspective view showing a snowmobile according to our design;

(52) **U.S. Cl.** ..... **D12/7; D12/1**

FIG. 2 is a front elevation view thereof;

(58) **Field of Classification Search** ..... D12/7,

FIG. 3 is a rear elevation view thereof;

D12/110, 111, 9, 112, 307, 400, 86, 85, 88,

FIG. 4 is a bottom plan view thereof;

D12/1, 5; D21/533; 180/182, 190, 184–186,

FIG. 5 is a top plan view thereof;

180/9.25, 180, 219, 193, 194; 280/845; D6/354

FIG. 6 is a right side elevation view thereof; and,

See application file for complete search history.

FIG. 7 is a left side elevation view thereof.

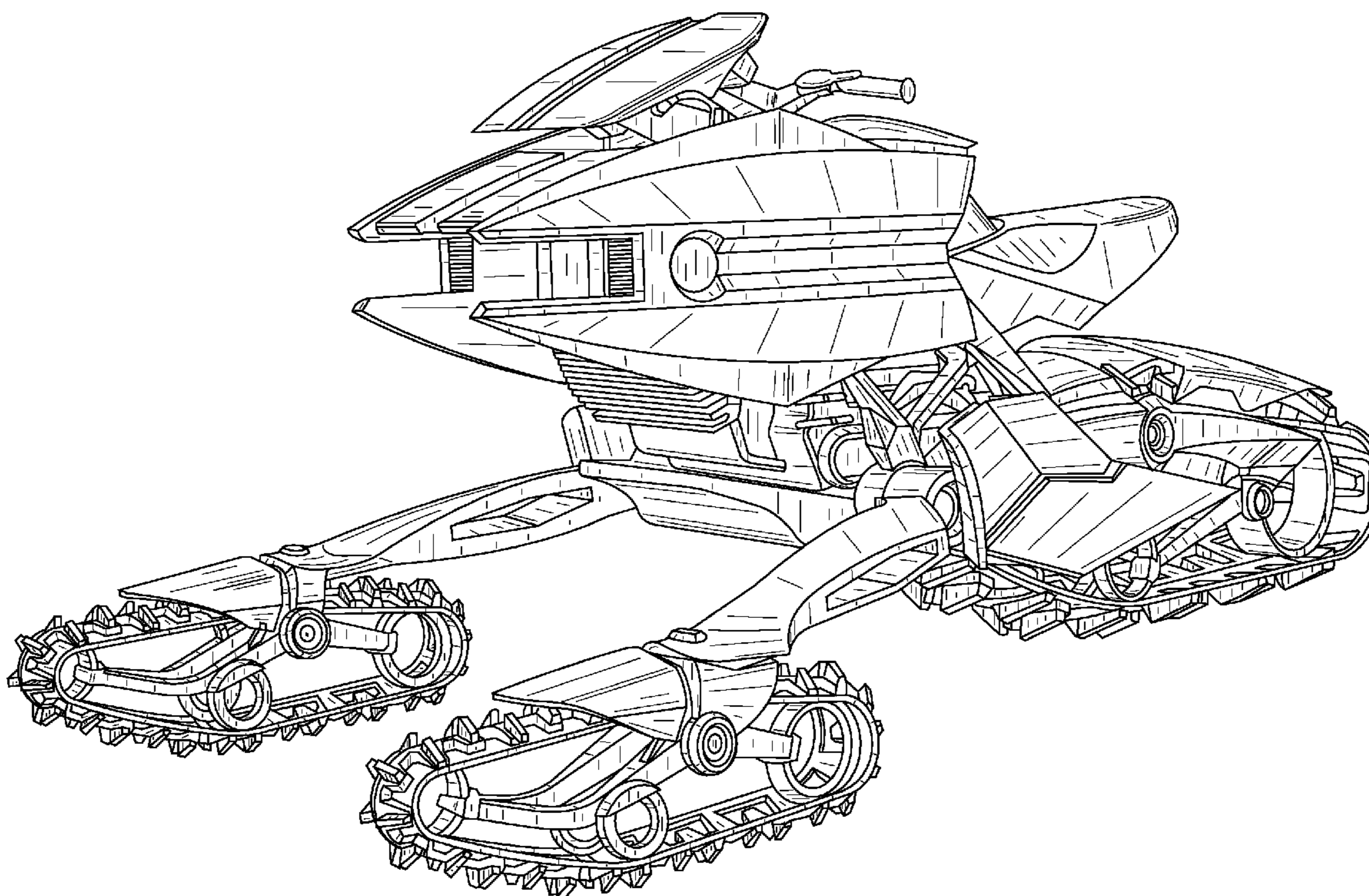
(56) **References Cited**

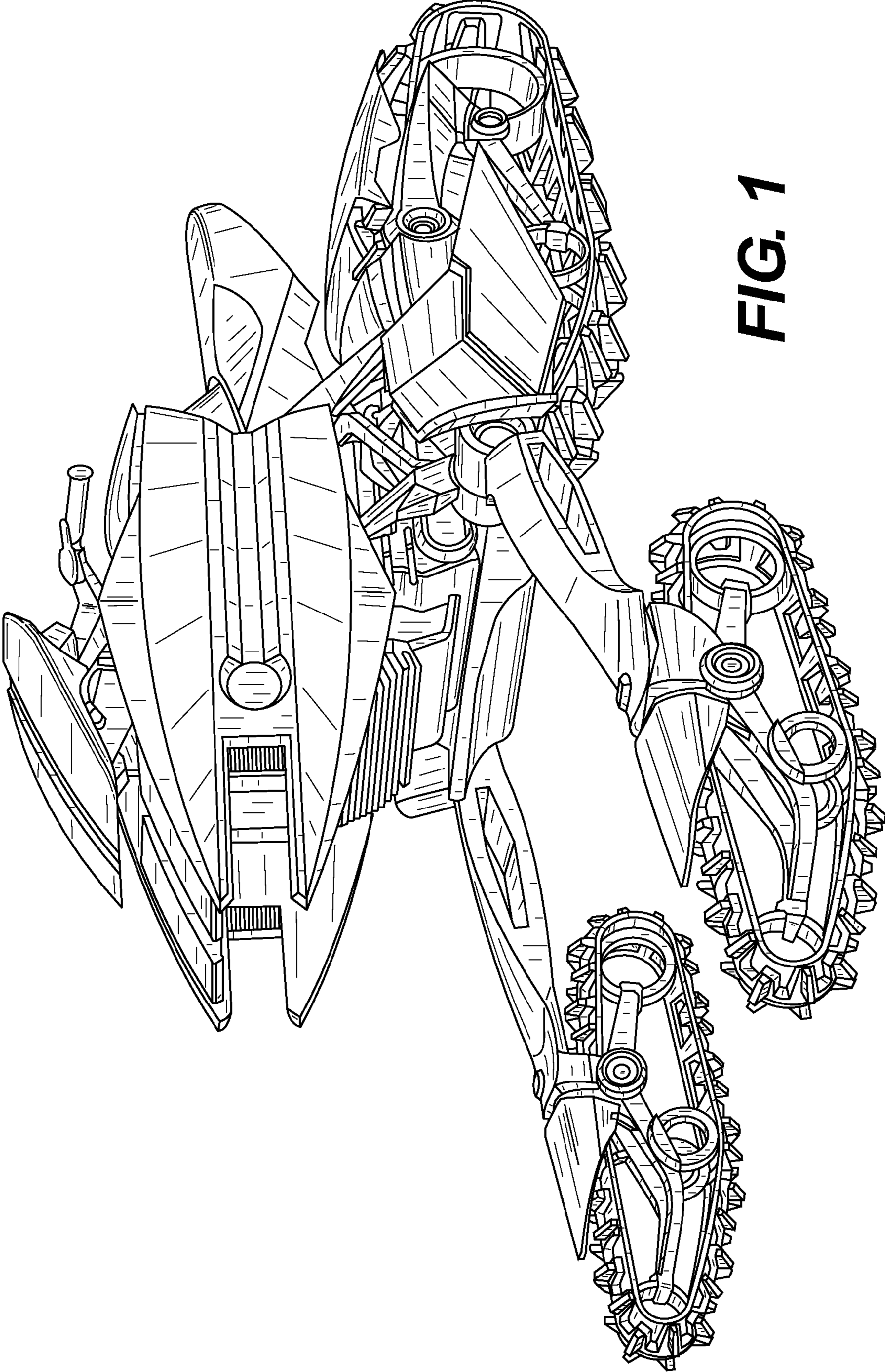
**U.S. PATENT DOCUMENTS**

D389,780 S \* 1/1998 Komatsu et al. .... D12/7

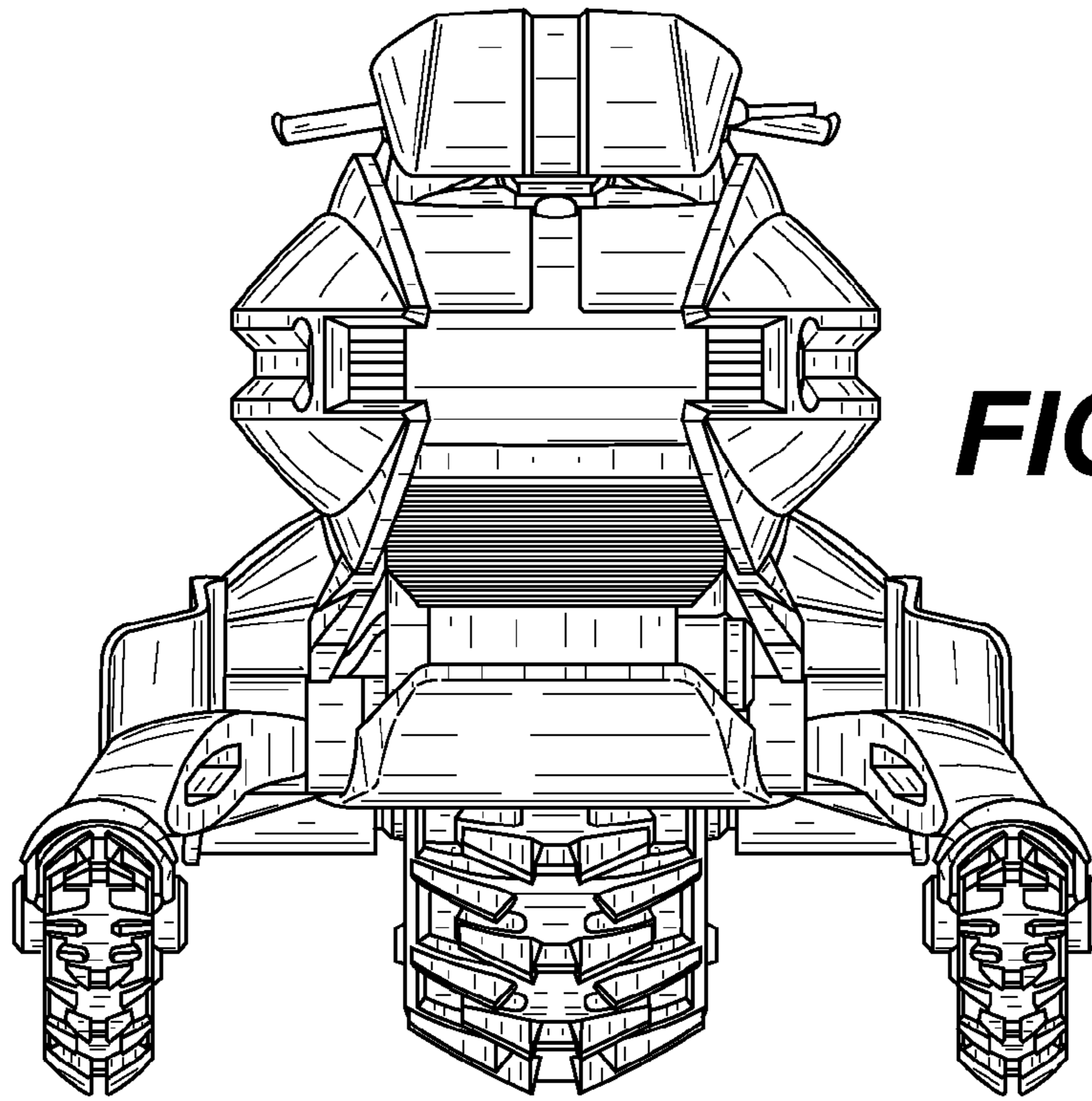
D479,813 S \* 9/2003 Cadotte et al. .... D12/7

**1 Claim, 6 Drawing Sheets**

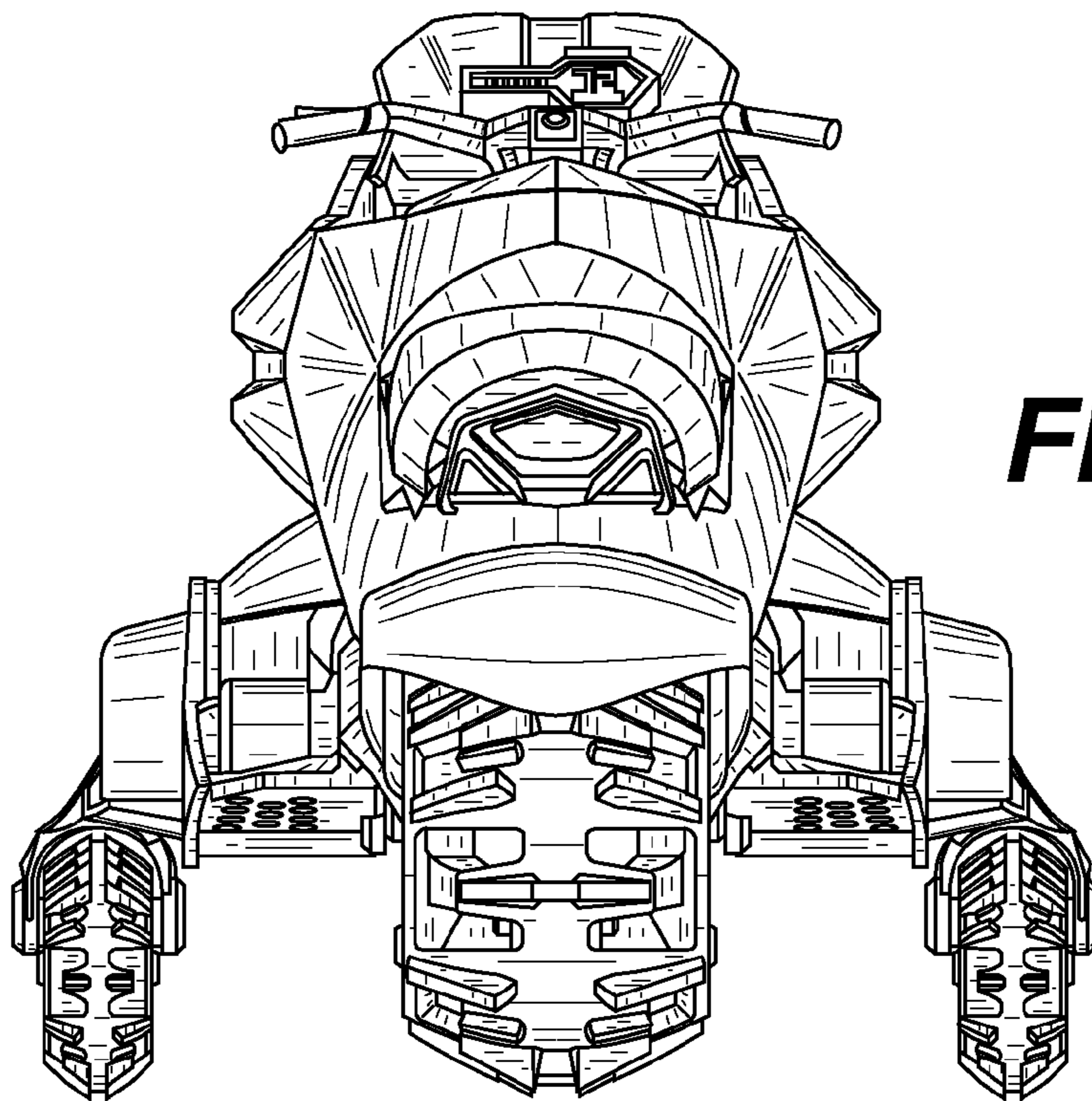




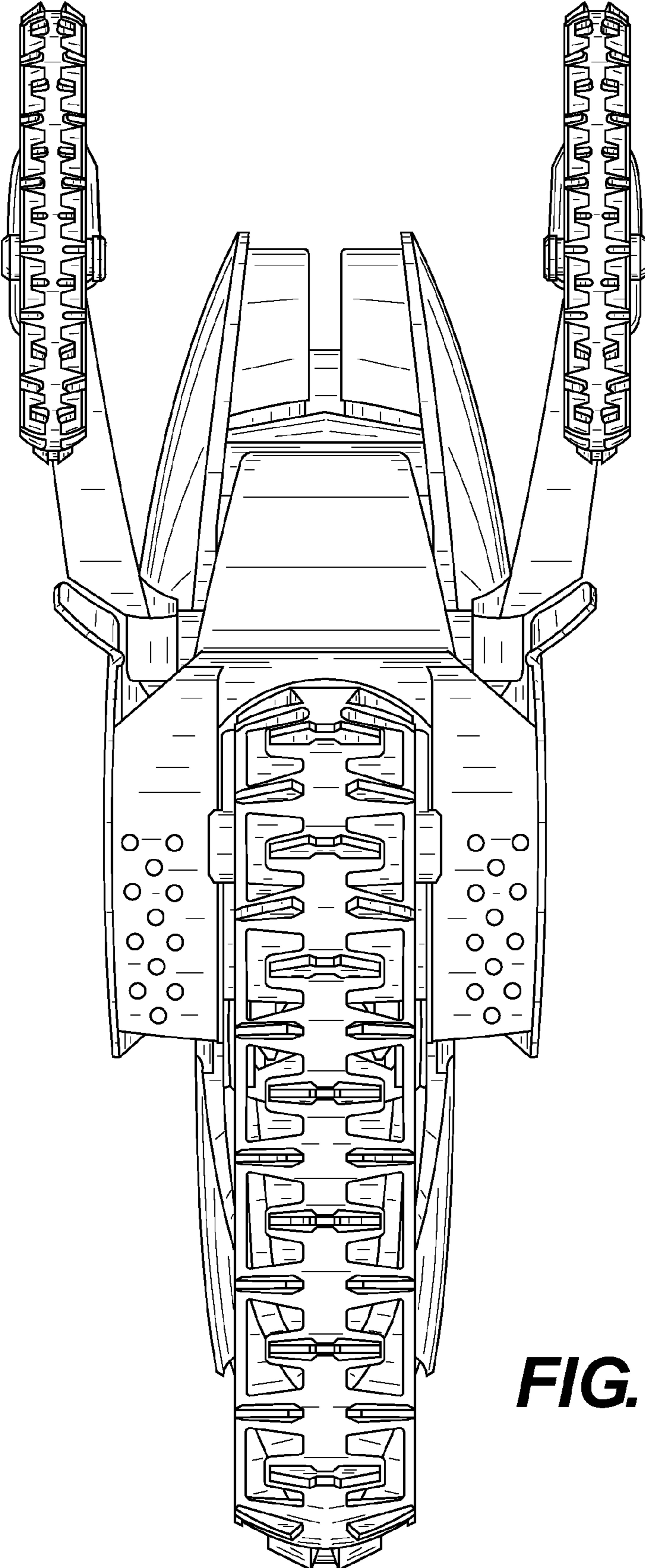
**FIG. 1**



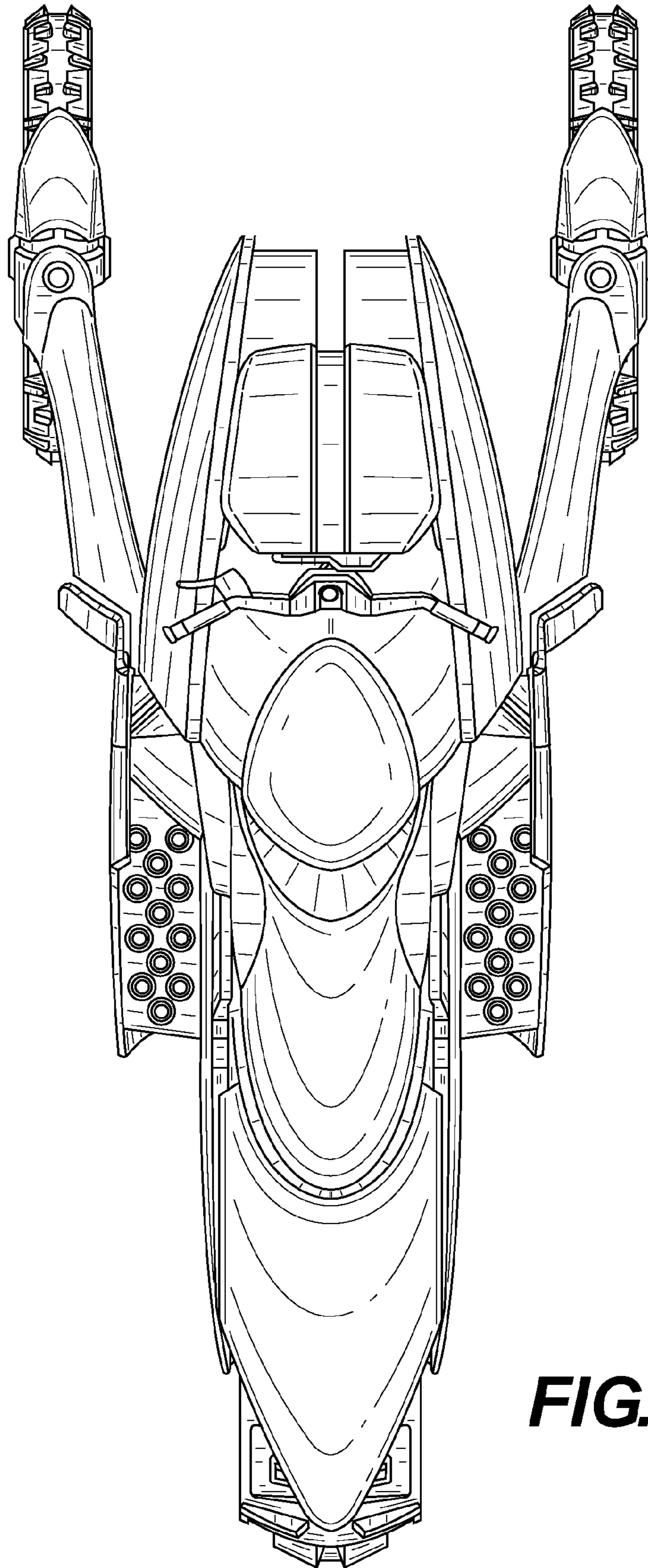
**FIG. 2**



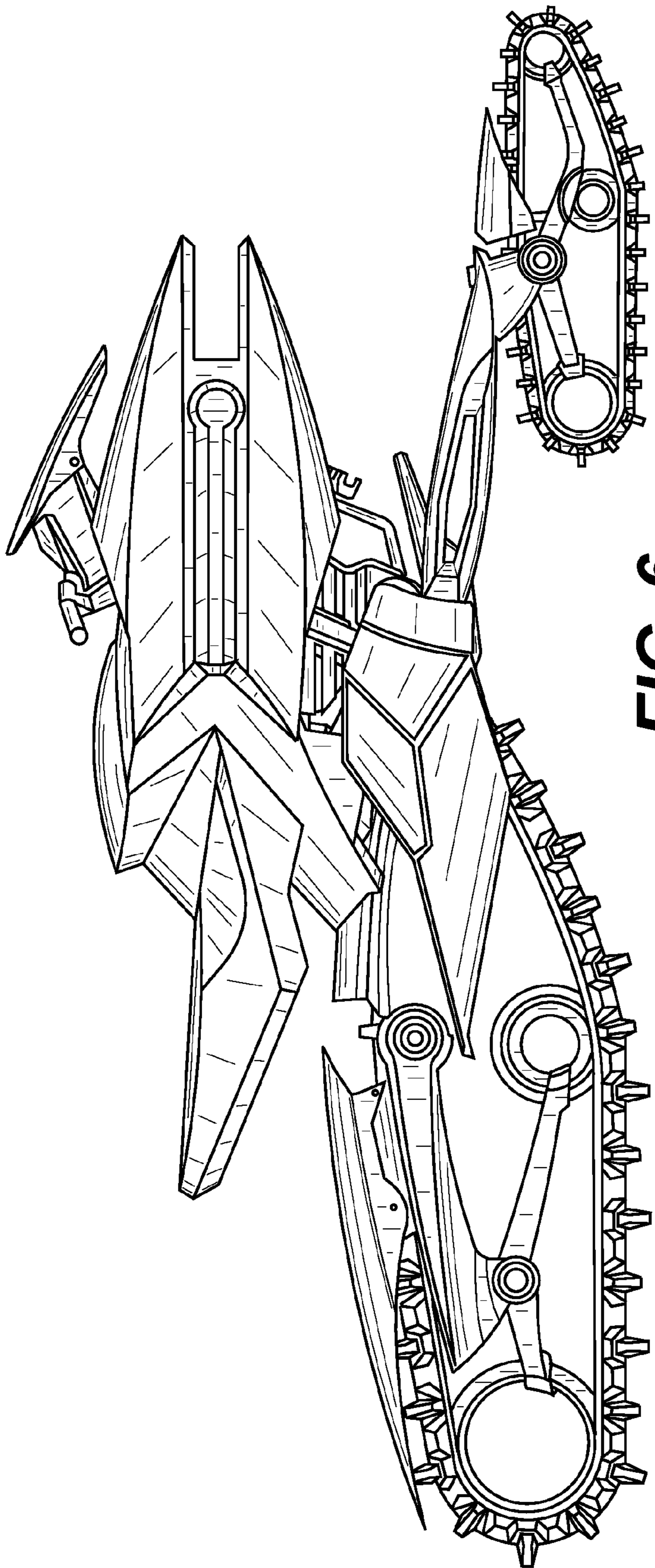
**FIG. 3**



**FIG. 4**



**FIG. 5**



**FIG. 6**

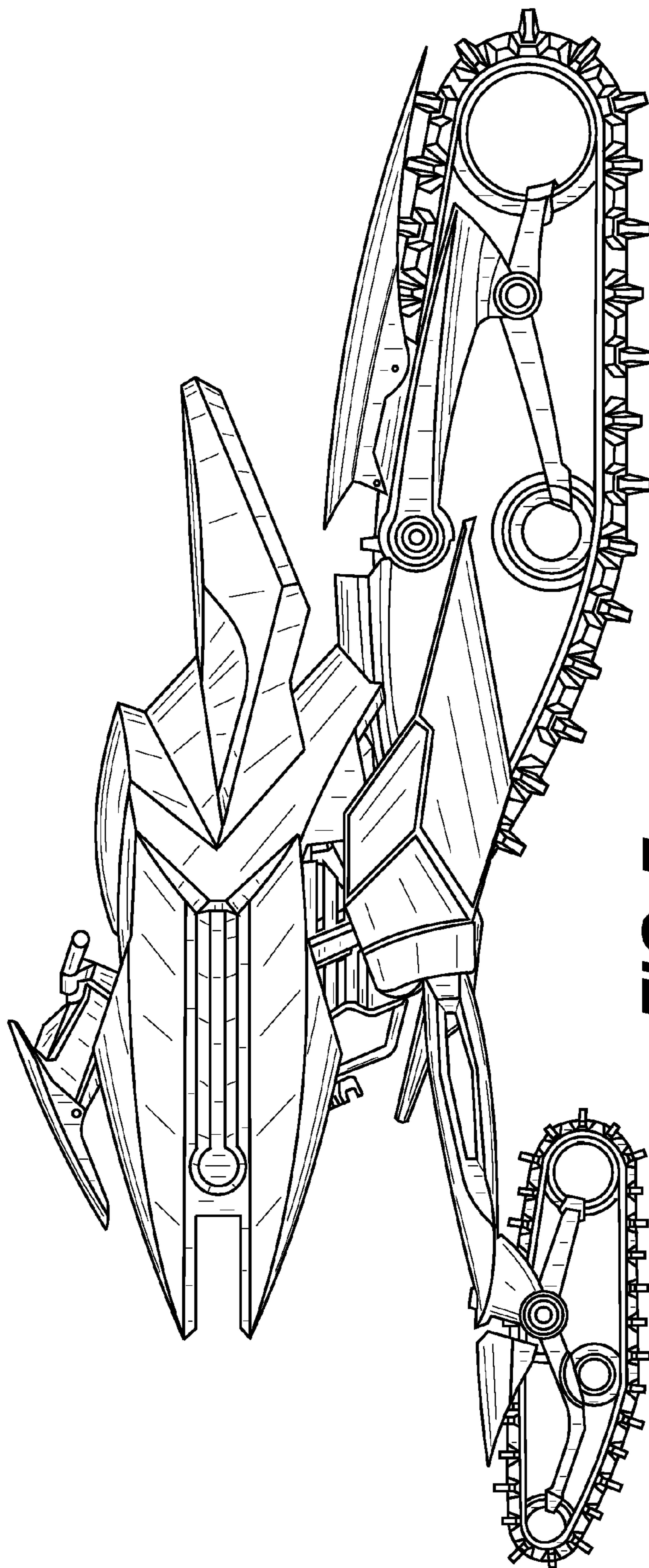


FIG. 7