

US00D590295S

(12) **United States Design Patent**  
**Clores et al.**

(10) **Patent No.:** **US D590,295 S**

(45) **Date of Patent:** **\*\* Apr. 14, 2009**

(54) **TREE STAND**

(76) Inventors: **Edgardo Clores**, 8063 Lyell Mountain Ct., Las Vegas, NV (US) 89139; **Hiel J. Ceria**, 8063 Lyell Mountain Ct., Las Vegas, NV (US) 89139

(\*\*) Term: **14 Years**

(21) Appl. No.: **29/264,318**

(22) Filed: **Aug. 8, 2006**

(51) **LOC (9) Cl.** ..... **06-99**

(52) **U.S. Cl.** ..... **D11/130.1; D11/130**

(58) **Field of Classification Search** ..... D11/117,  
D11/118, 119, 120, 121, 122, 123, 124, 125,  
D11/126, 127, 128, 129, 130, 130.1, 184;  
D21/398, 400; 206/389, 423; 428/7, 9, 12  
See application file for complete search history.

(56) **References Cited**

**U.S. PATENT DOCUMENTS**

- D321,839 S \* 11/1991 Rosato ..... D11/130.1
- 5,137,246 A 8/1992 Idso
- D329,208 S \* 9/1992 Bowling et al. .... D11/130.1
- D330,346 S \* 10/1992 Bryand ..... D11/130.1
- D330,875 S \* 11/1992 Boucher ..... D11/130.1

- D370,185 S \* 5/1996 Grimm et al. .... D11/130.1
- D382,227 S \* 8/1997 Adams et al. .... D11/130.1
- D403,980 S \* 1/1999 Conway et al. .... D11/130.1
- D418,082 S \* 12/1999 Baumann et al. .... D11/130.1
- 7,040,795 B2 \* 5/2006 Puleo, Sr. .... 362/565

\* cited by examiner

*Primary Examiner*—Stella M. Reid

*Assistant Examiner*—Elizabeth J Oswecki

(74) *Attorney, Agent, or Firm*—Jeffrey Weiss; Jeffrey D. Moy; Weiss & Moy, P.C.

(57) **CLAIM**

The ornamental design for a tree stand, as shown and described.

**DESCRIPTION**

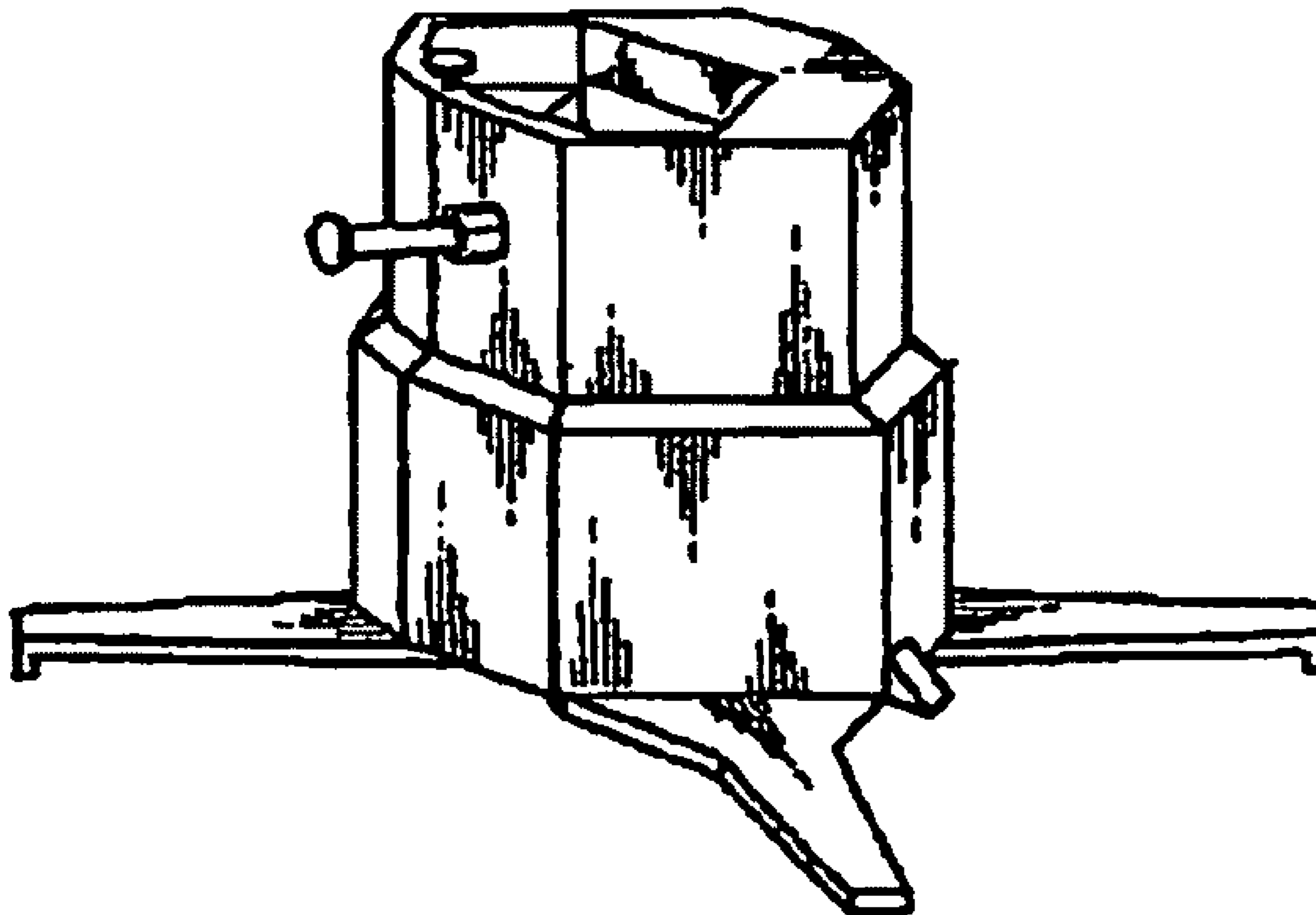
FIG. 1 is a top plan view of a tree stand showing our new design;

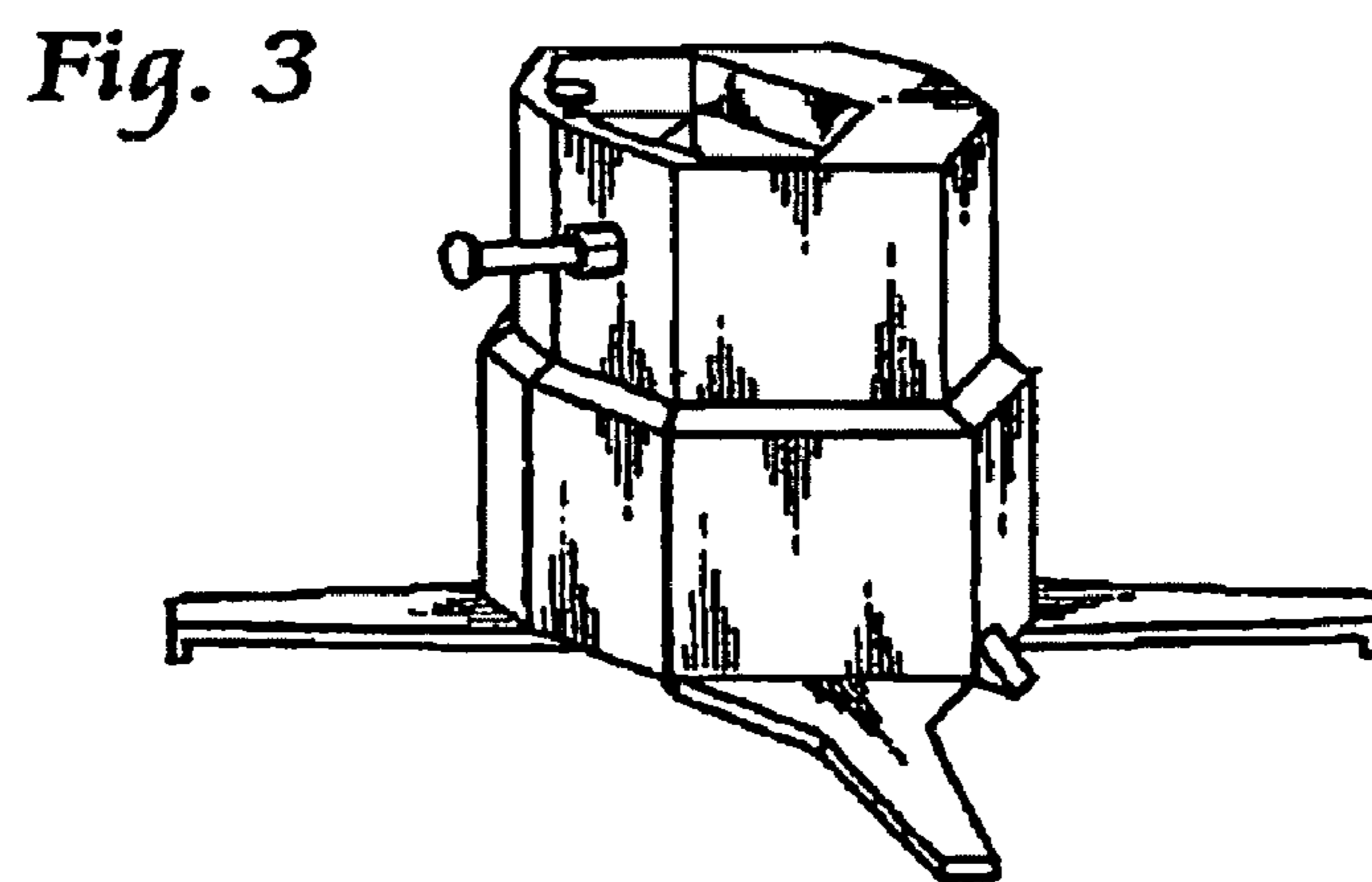
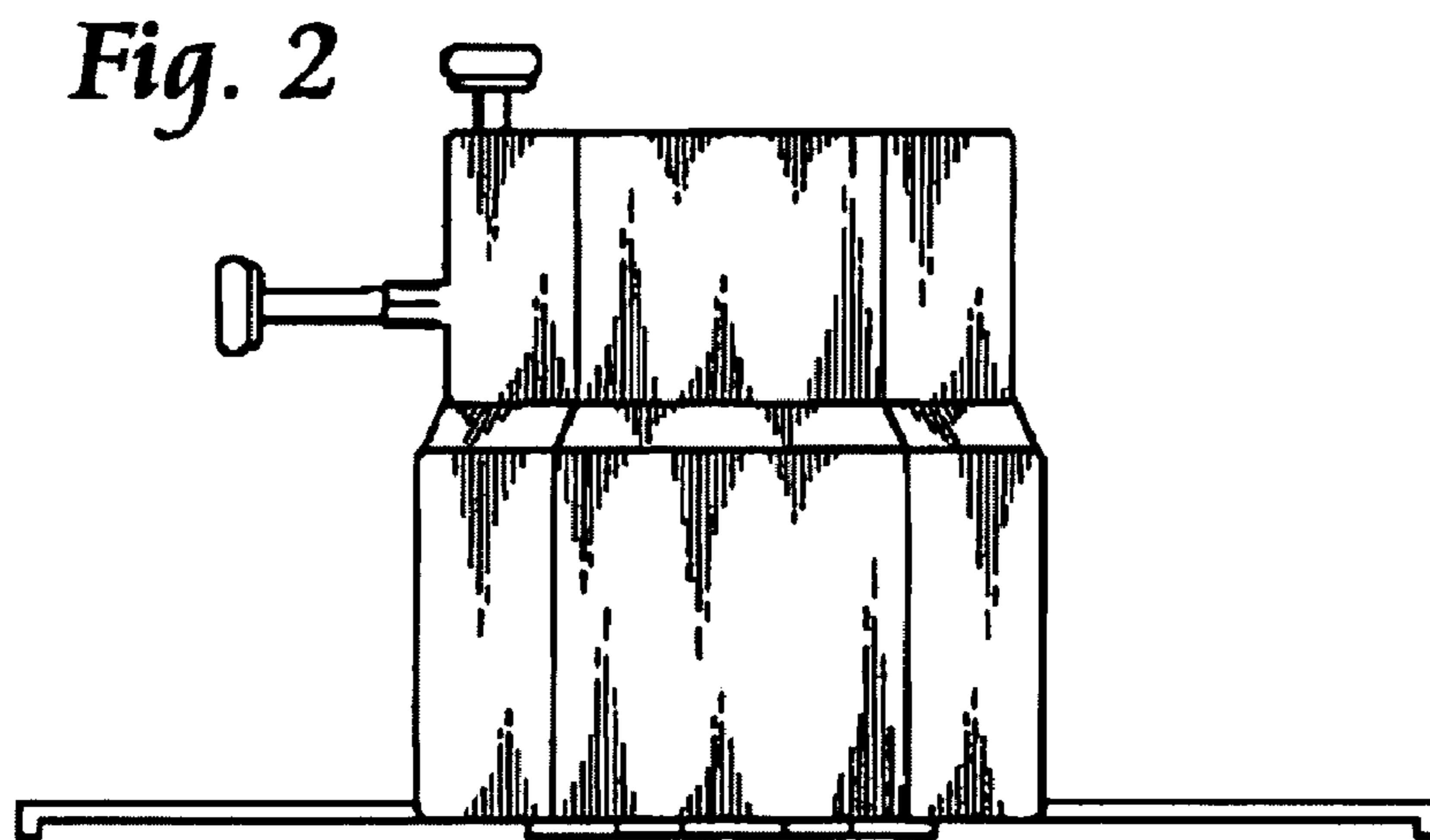
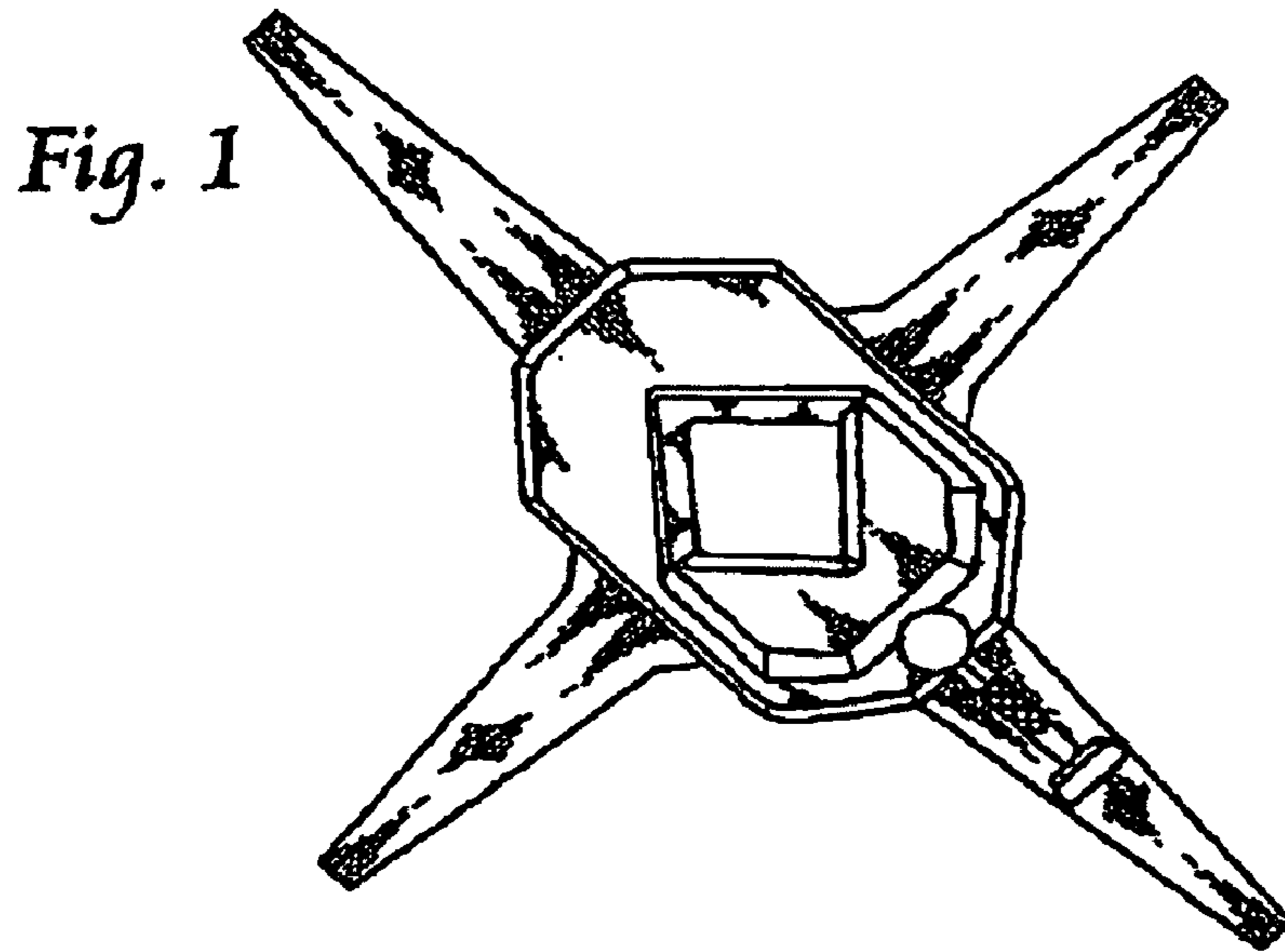
FIG. 2 is a side elevation view thereof;

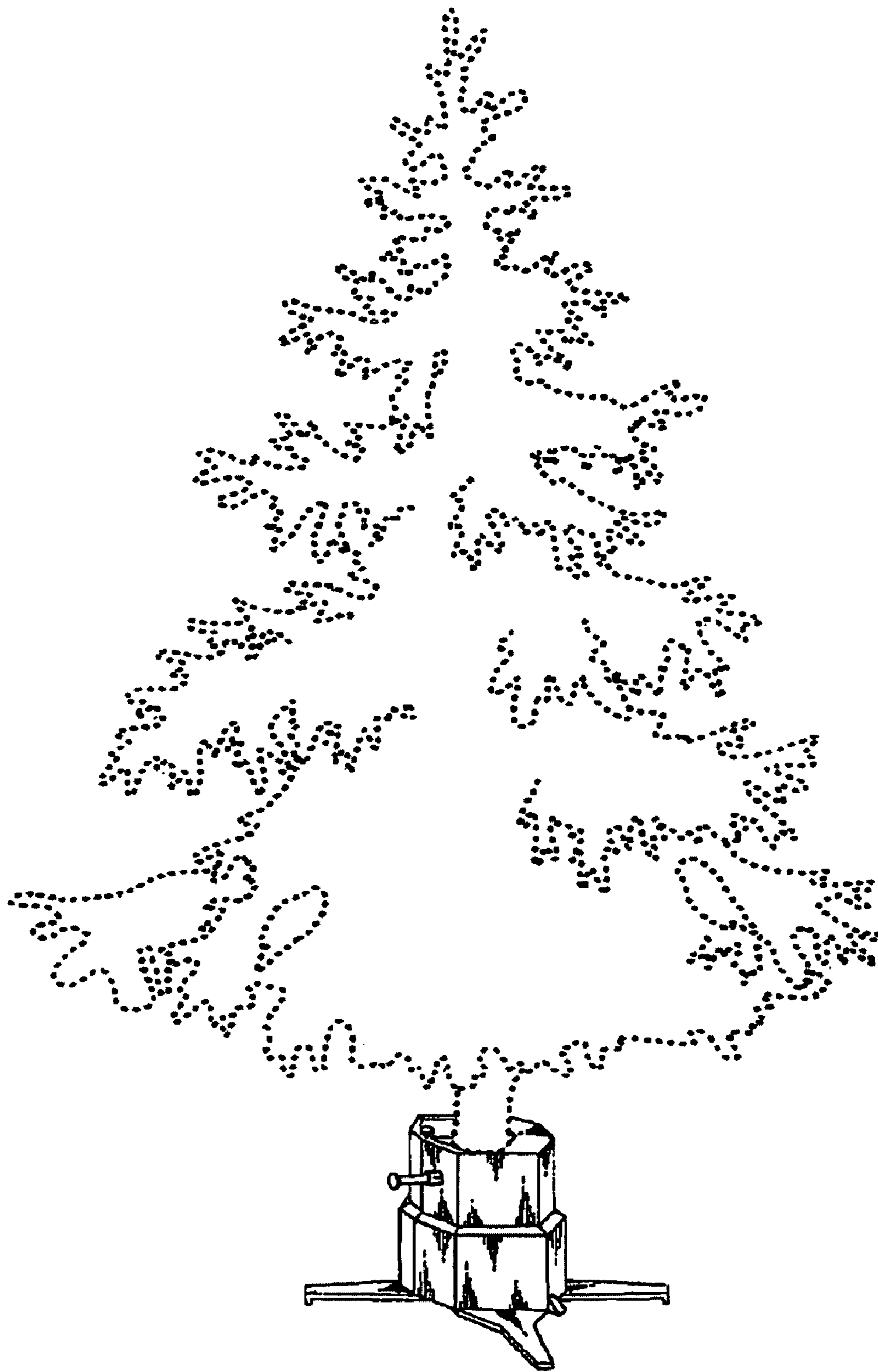
FIG. 3 is a side perspective view thereof; and,

FIG. 4 is another side perspective view thereof, with a tree being shown in broken lines for illustrative purposes only and forming no part of the claimed design.

**1 Claim, 2 Drawing Sheets**







*Fig. 4*