



US00D590291S

(12) **United States Design Patent**
Brescia

(10) **Patent No.:** **US D590,291 S**

(45) **Date of Patent:** **** Apr. 14, 2009**

(54) **RING**

(76) **Inventor:** **Nicholas Brescia**, P.O. Box 614,
Yonkers, NY (US) 10704

(**) **Term:** **14 Years**

(21) **Appl. No.:** **29/288,205**

(22) **Filed:** **Jun. 4, 2007**

(51) **LOC (9) Cl.** **11-01**

(52) **U.S. Cl.** **D11/26**

(58) **Field of Classification Search** D11/26-39;
63/15, 15.1-15.4, 15.45, 15.5, 15.6, 15.7,
63/26-27

See application file for complete search history.

(56) **References Cited**

U.S. PATENT DOCUMENTS

D59,694 S	11/1921	Ulbrich	
D79,671 S	10/1929	Sager	
D89,240 S	2/1933	Kagen	
2,241,165 A	5/1941	Shelton	
D170,370 S *	9/1953	Philippe	D11/78
D197,800 S *	3/1964	Nolen	D11/30
D225,080 S	11/1972	Mechanic	
D248,285 S	6/1978	Barr	
D285,291 S	8/1986	Brescia	
D377,916 S *	2/1997	Roemer	D11/29
D436,550 S *	1/2001	Versace	D11/26
D436,883 S *	1/2001	Versace	D11/26

D454,809 S * 3/2002 Gruosi D11/26
D565,990 S * 4/2008 Allin D11/26

* cited by examiner

Primary Examiner—Cathron C Brooks

Assistant Examiner—Melanie Levy

(74) *Attorney, Agent, or Firm*—Edwards Angell Palmer & Dodge LLP

(57) **CLAIM**

The ornamental design for a ring, as shown and described.

DESCRIPTION

FIG. 1 is a bottom plan view of a ring according to a representative embodiment of the present invention.

FIG. 2 is a front elevation view of the ring shown in FIG. 1.

FIG. 3 is a top plan view of the ring shown in FIG. 1.

FIG. 4 is a side elevation view of the ring shown in FIG. 1.

FIG. 5 is a perspective view of the ring shown in FIG. 1.

FIG. 6 is a bottom plan view of a ring according to a second representative embodiment of the present invention.

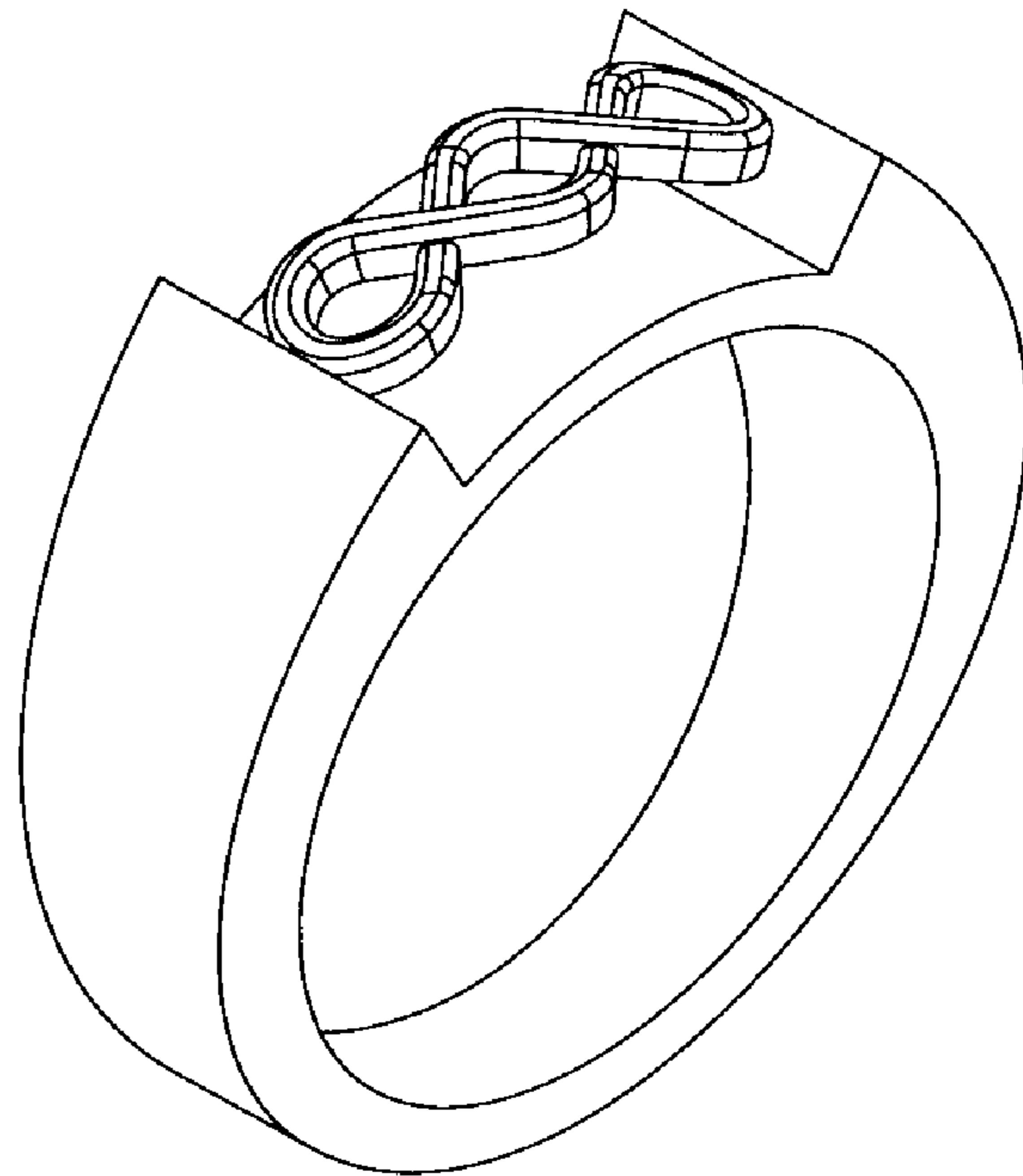
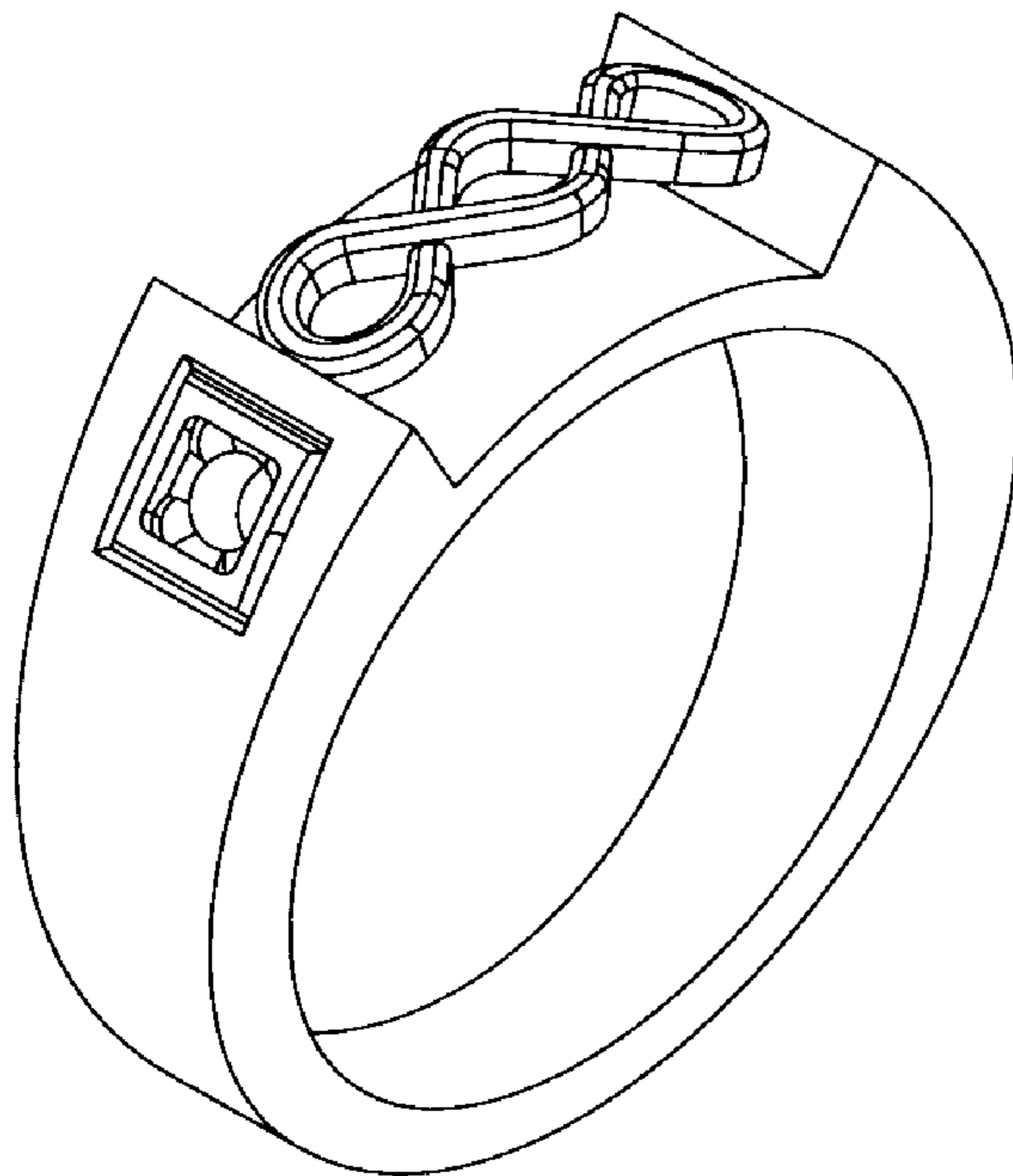
FIG. 7 is a front elevation view of the ring shown in FIG. 6.

FIG. 8 is a top plan view of the ring shown in FIG. 6.

FIG. 9 is a side elevation view of the ring shown in FIG. 6; and,

FIG. 10 is a perspective view of the ring shown in FIG. 6.

1 Claim, 2 Drawing Sheets



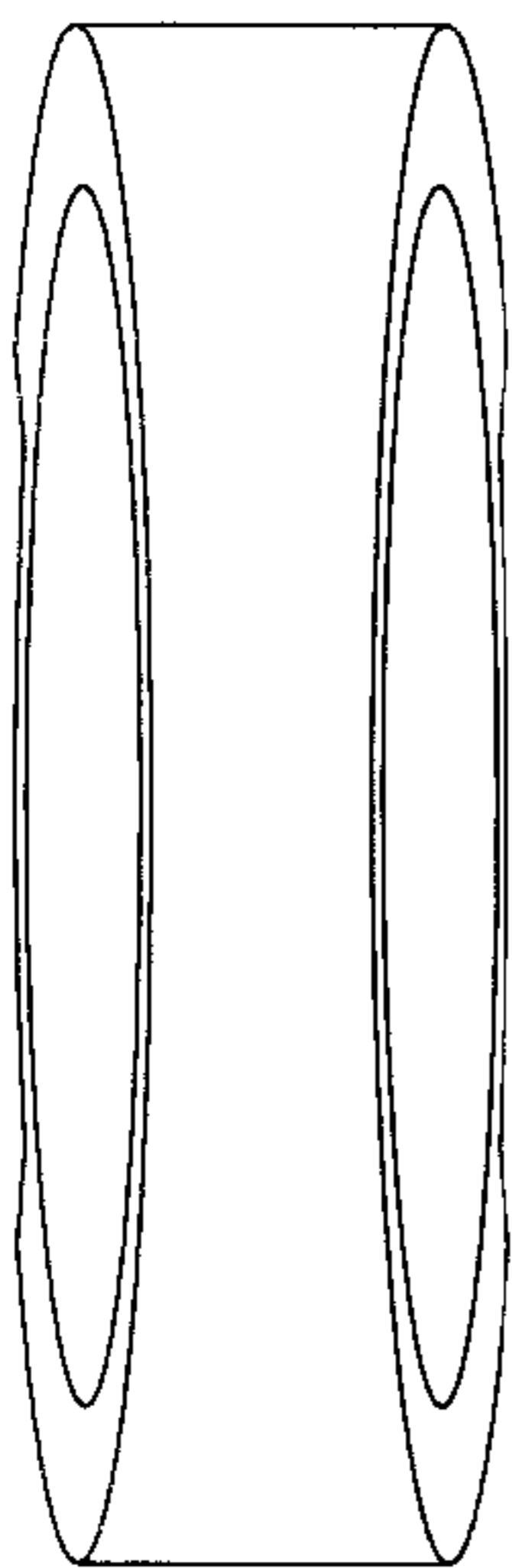


FIG. 1

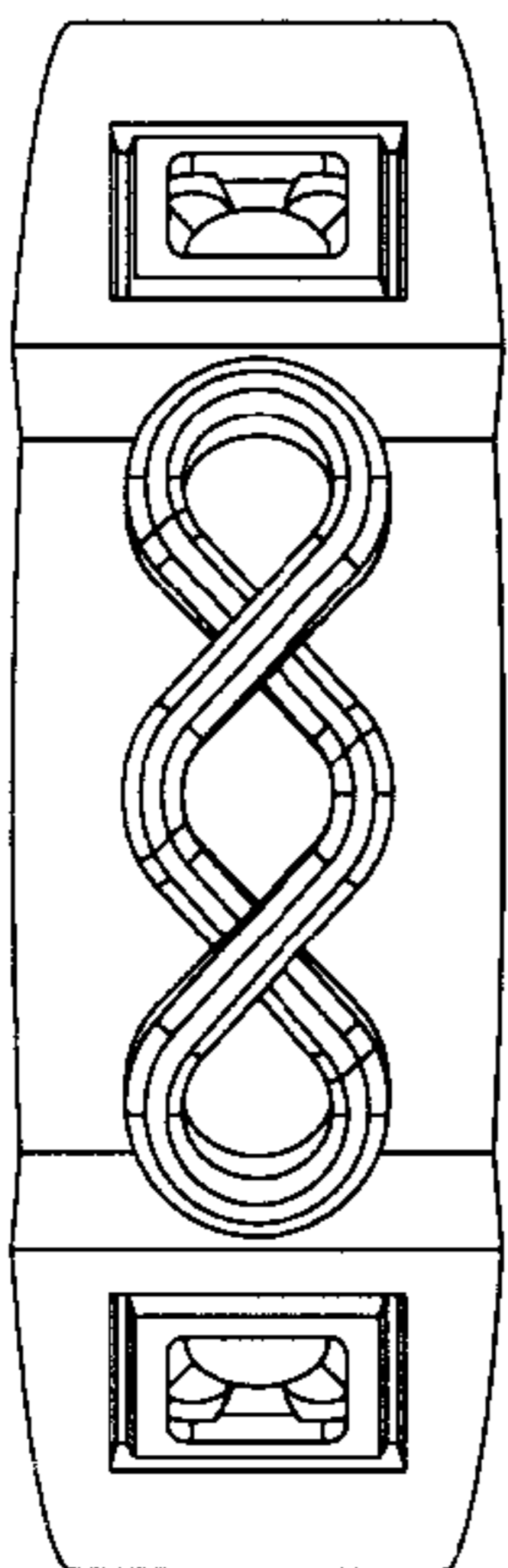


FIG. 3

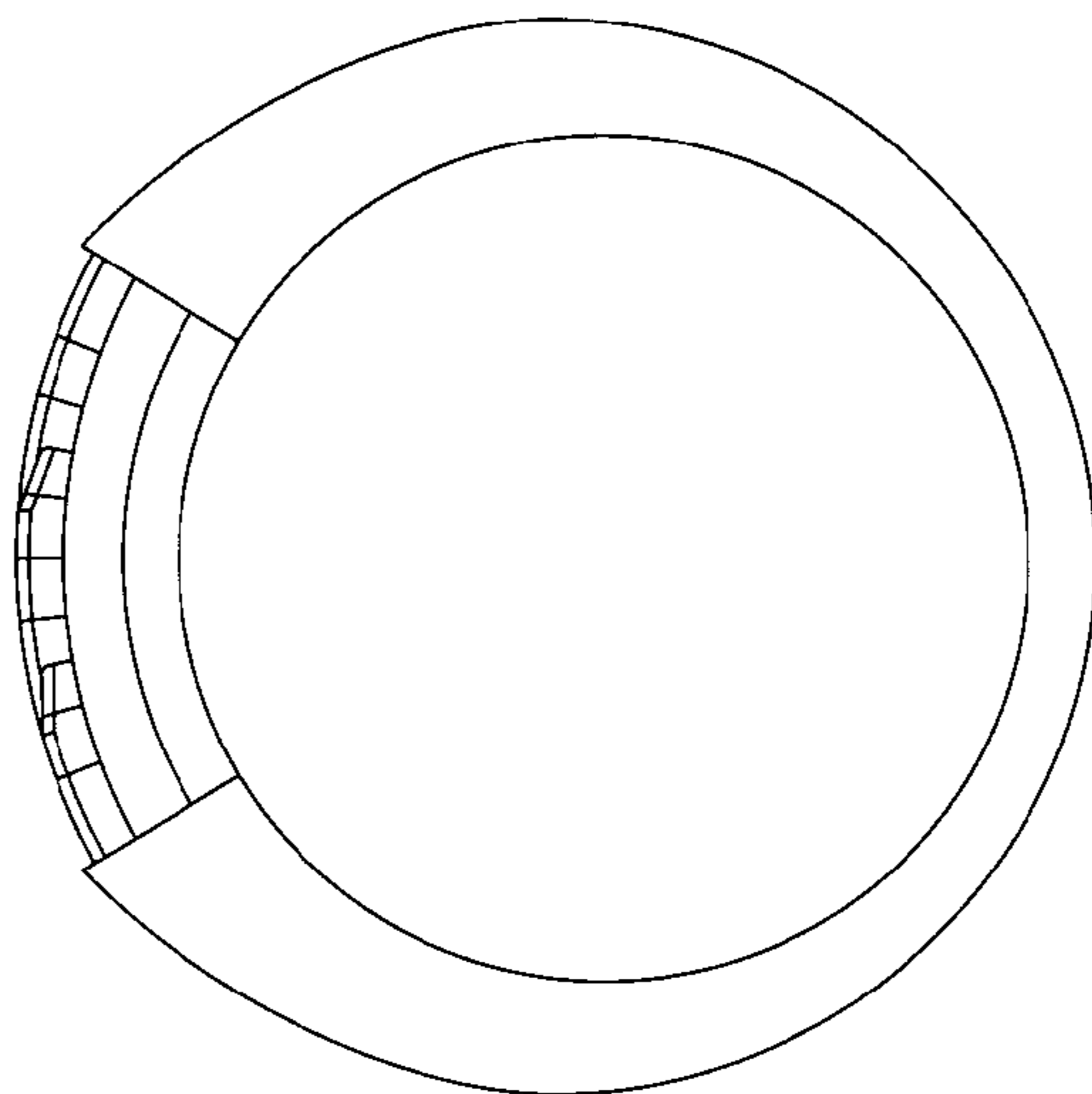


FIG. 2

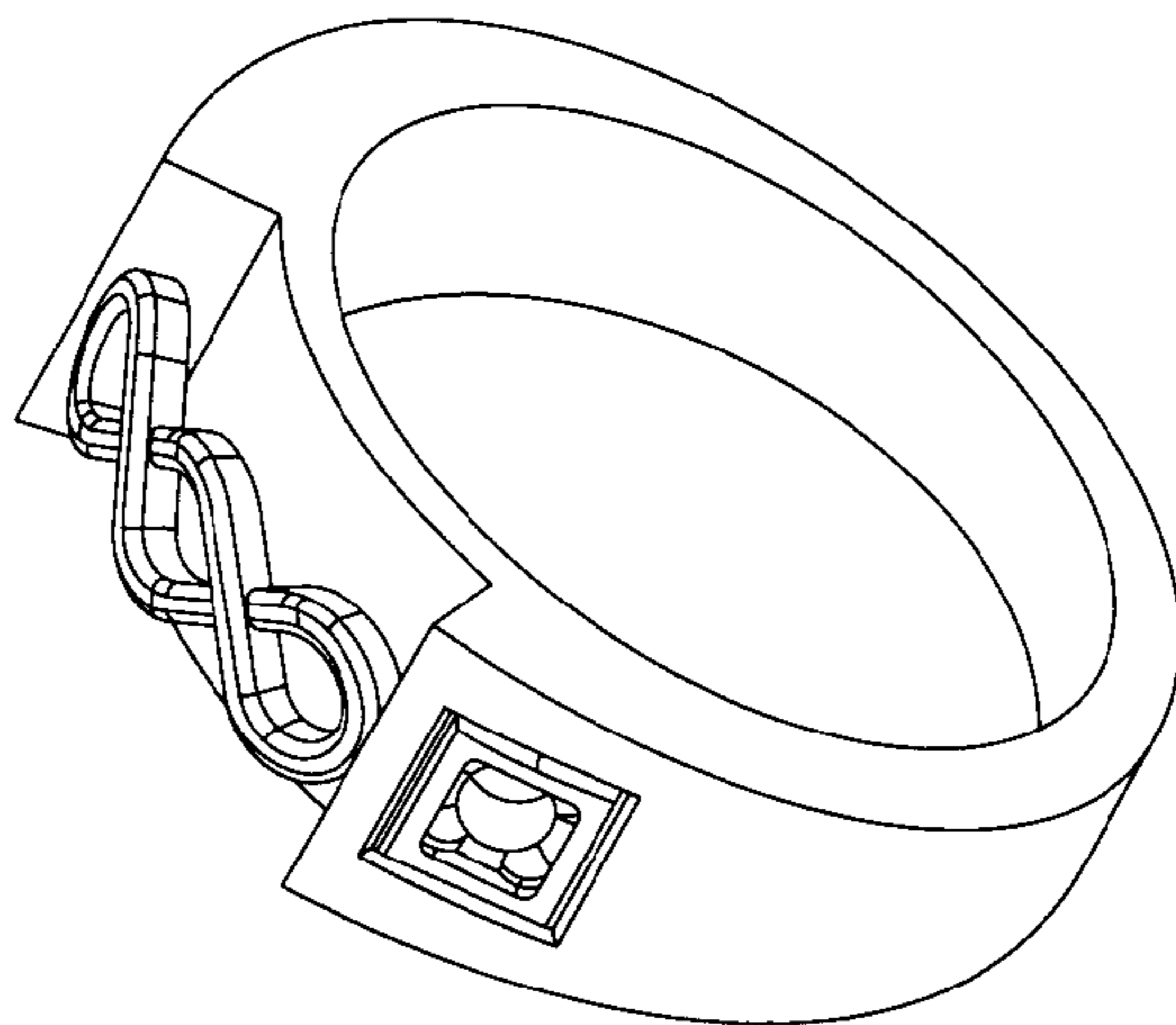


FIG. 5

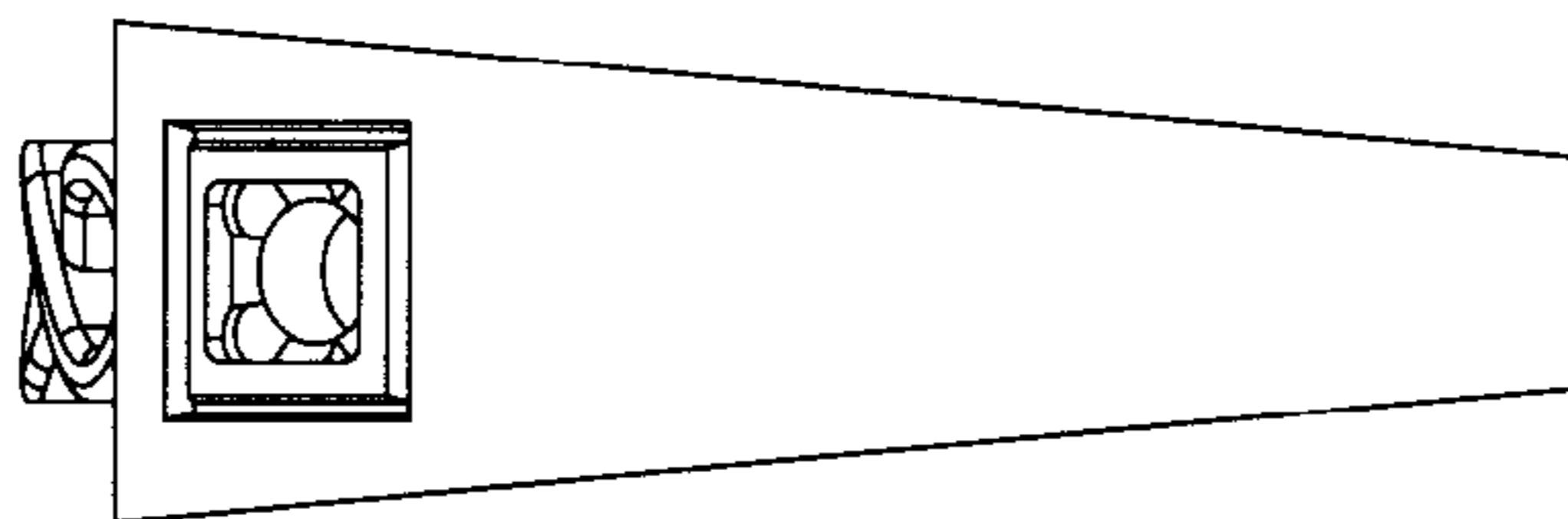


FIG. 4

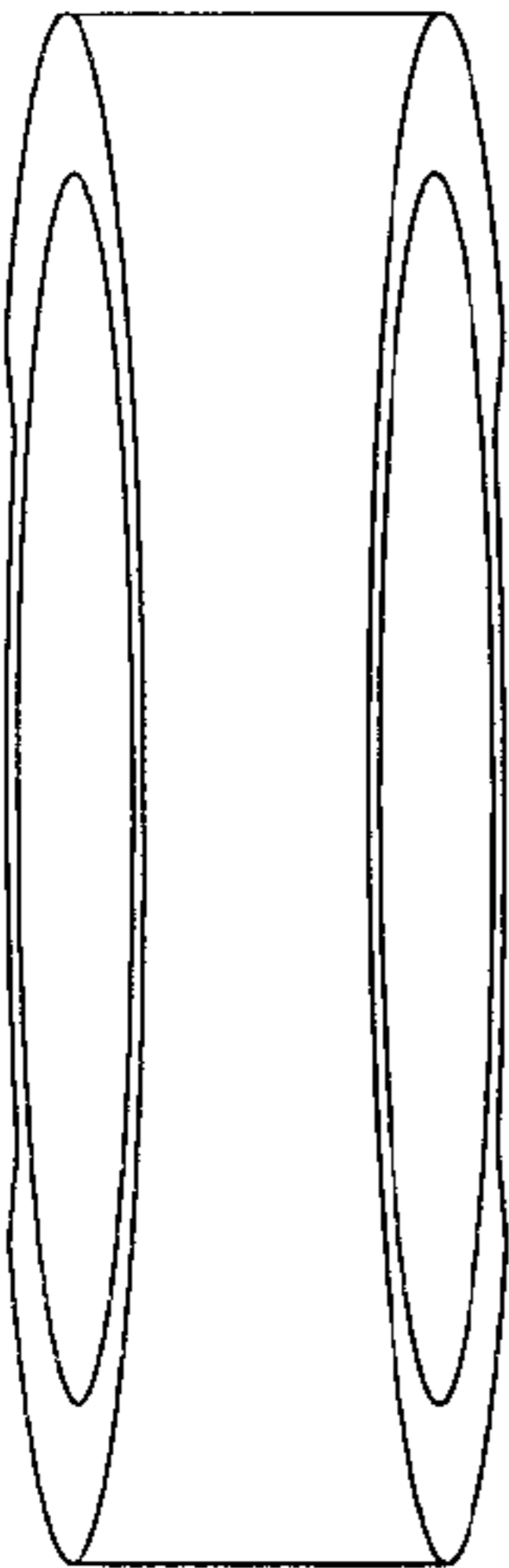


FIG. 6

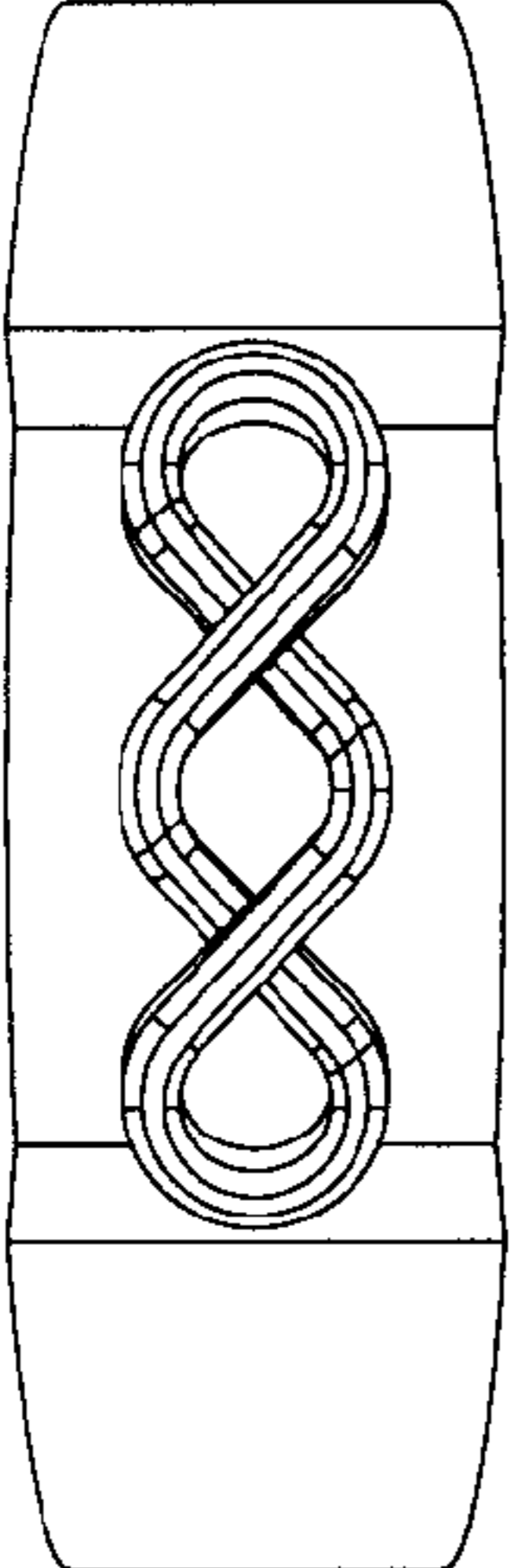


FIG. 8

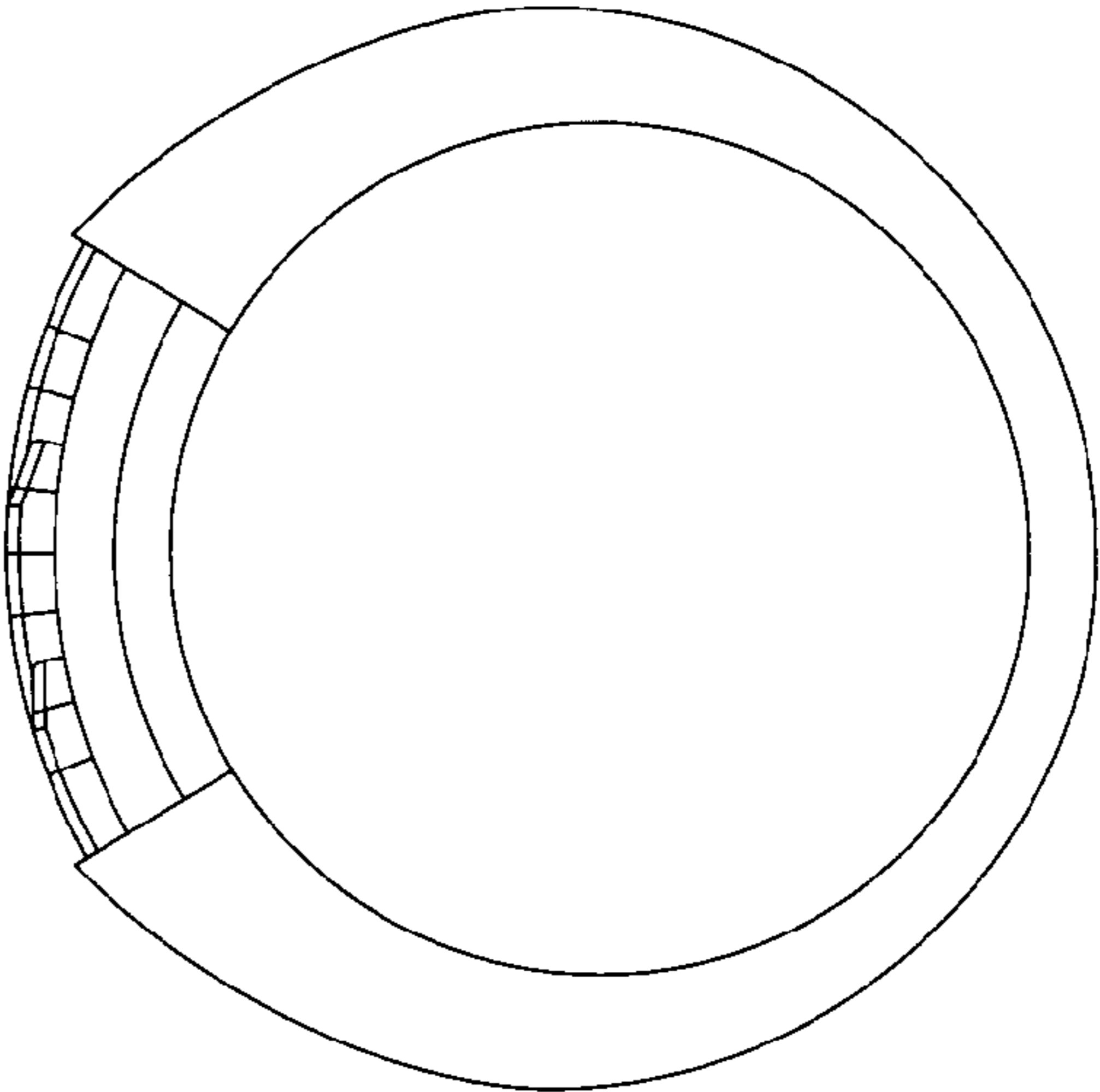


FIG. 7

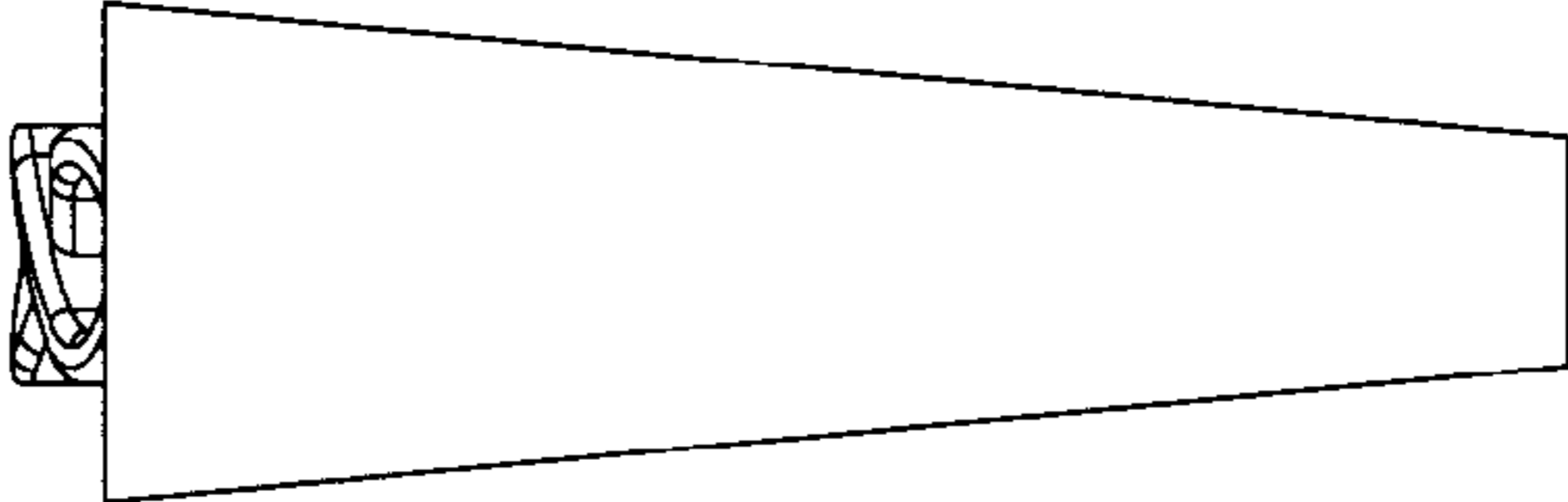


FIG. 9

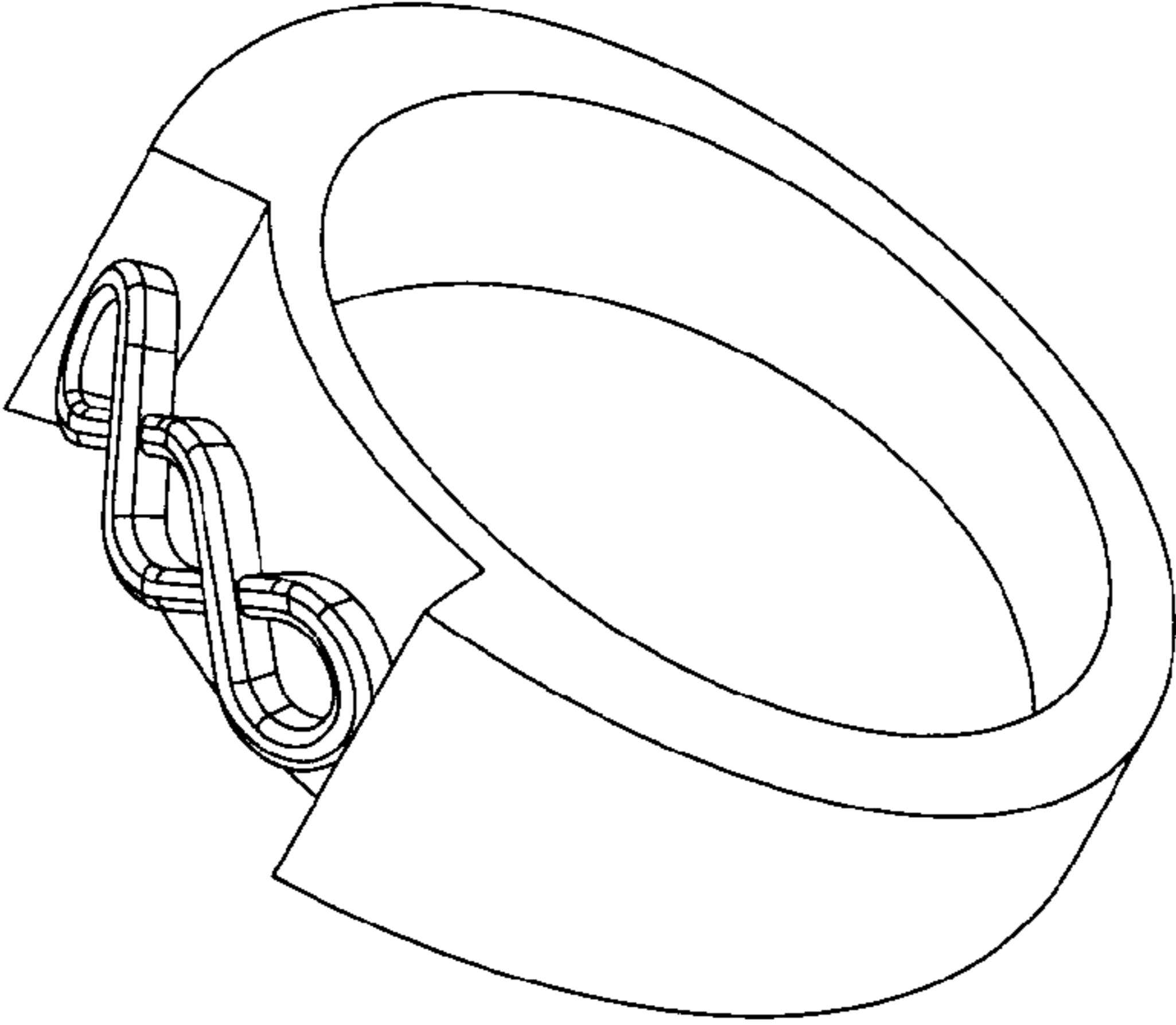


FIG. 10