



US00D590285S

(12) **United States Design Patent**
Chung

(10) **Patent No.:** **US D590,285 S**

(45) **Date of Patent:** **** *Apr. 14, 2009**

(54) **LIGHTNING ROD**

(76) Inventor: **Young-ki Chung**, 102-1404, Samsung Apt., 374, Dongsan-dong, Yeongdeungpo-gu, Seoul (KR) 150-040

(*) Notice: This patent is subject to a terminal disclaimer.

(**) Term: **14 Years**

(21) Appl. No.: **29/271,787**

(22) Filed: **Jan. 26, 2007**

(30) **Foreign Application Priority Data**

Dec. 27, 2006 (KR) 30-2006-0051715

(51) **LOC (9) Cl.** **10-05**

(52) **U.S. Cl.** **D10/105**

(58) **Field of Classification Search** D10/104-121;
361/220; 174/3, 33

See application file for complete search history.

(56) **References Cited**

U.S. PATENT DOCUMENTS

- D305,104 S * 12/1989 Heary D10/105
- D375,272 S * 11/1996 Heary D10/105
- D487,028 S * 2/2004 Chung D10/105
- 6,815,606 B1 * 11/2004 Chung 174/3
- D502,658 S * 3/2005 Chung D10/105

- D502,659 S * 3/2005 Chung D10/105
- D511,115 S * 11/2005 Chung et al. D10/105
- 2004/0105211 A1* 6/2004 Chung 361/220

OTHER PUBLICATIONS

Co-pending U.S. Appl. No. 29/271,797, filed on Jan. 26, 2007.

Co-pending U.S. Appl. No. 29/266,864, filed on Sep. 29, 2006.

* cited by examiner

Primary Examiner—Caron Veynar

Assistant Examiner—George D Kirschbaum

(74) *Attorney, Agent, or Firm*—Hamre, Schumann, Mueller & Larson, P.C.

(57) **CLAIM**

The ornamental design for a lightning rod, as shown and described.

DESCRIPTION

FIG. 1 is a front perspective view of a lightning rod in accordance with my invention thereof;

FIG. 2 is a front view thereof;

FIG. 3 is a rear view thereof;

FIG. 4 is a left view thereof;

FIG. 5 is a right view thereof;

FIG. 6 is a top view thereof; and,

FIG. 7 is a bottom view thereof.

1 Claim, 7 Drawing Sheets

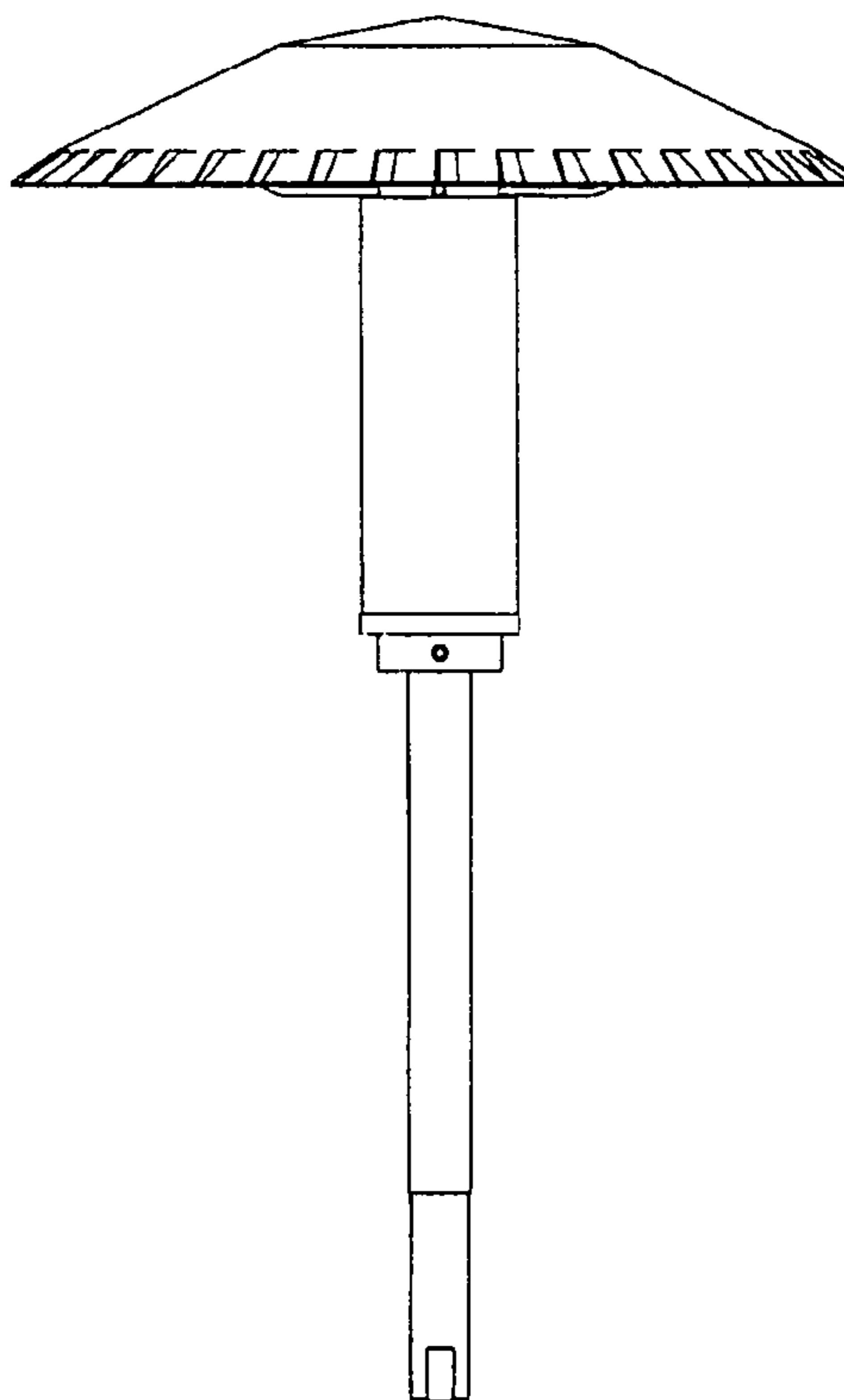
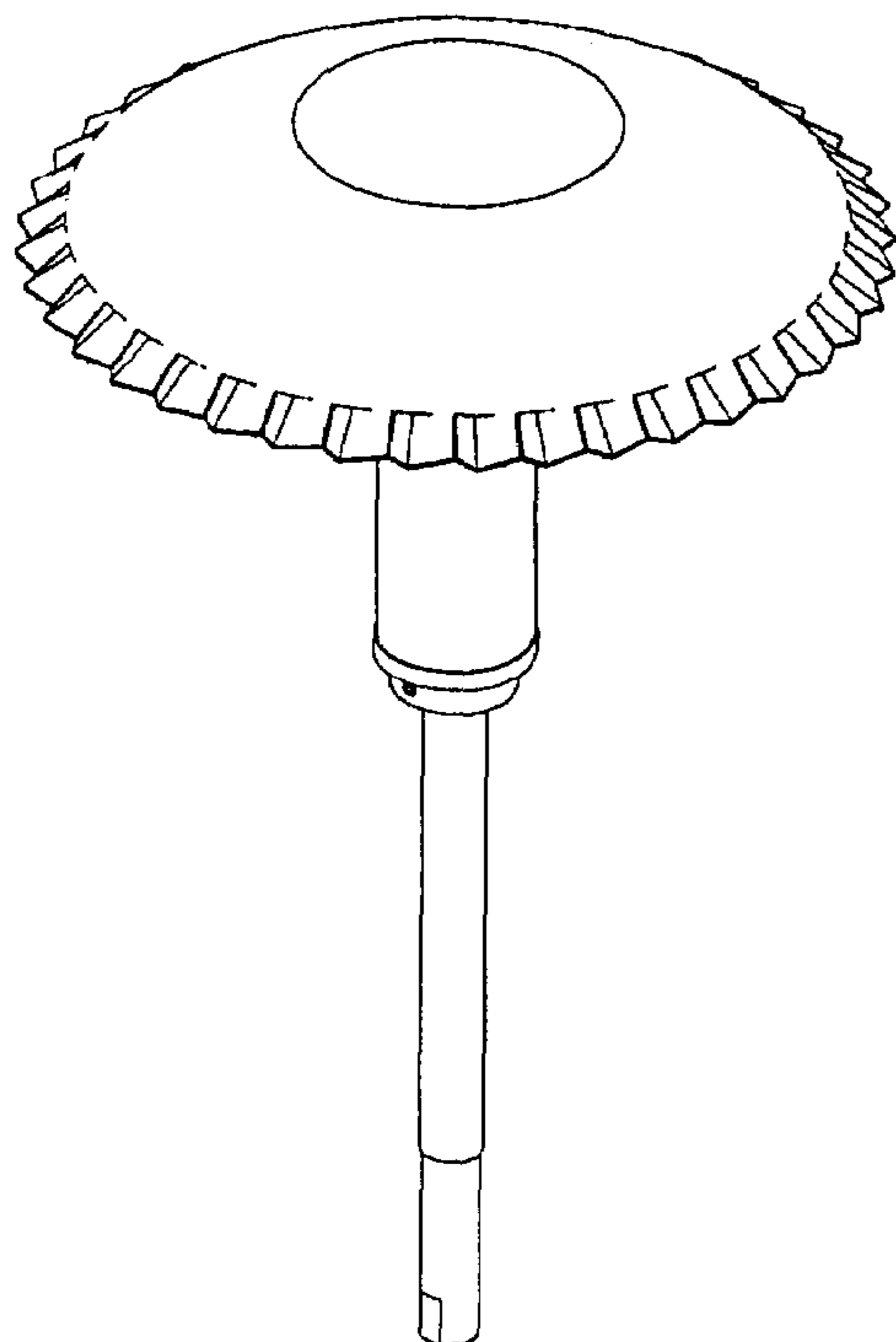


FIG. 1

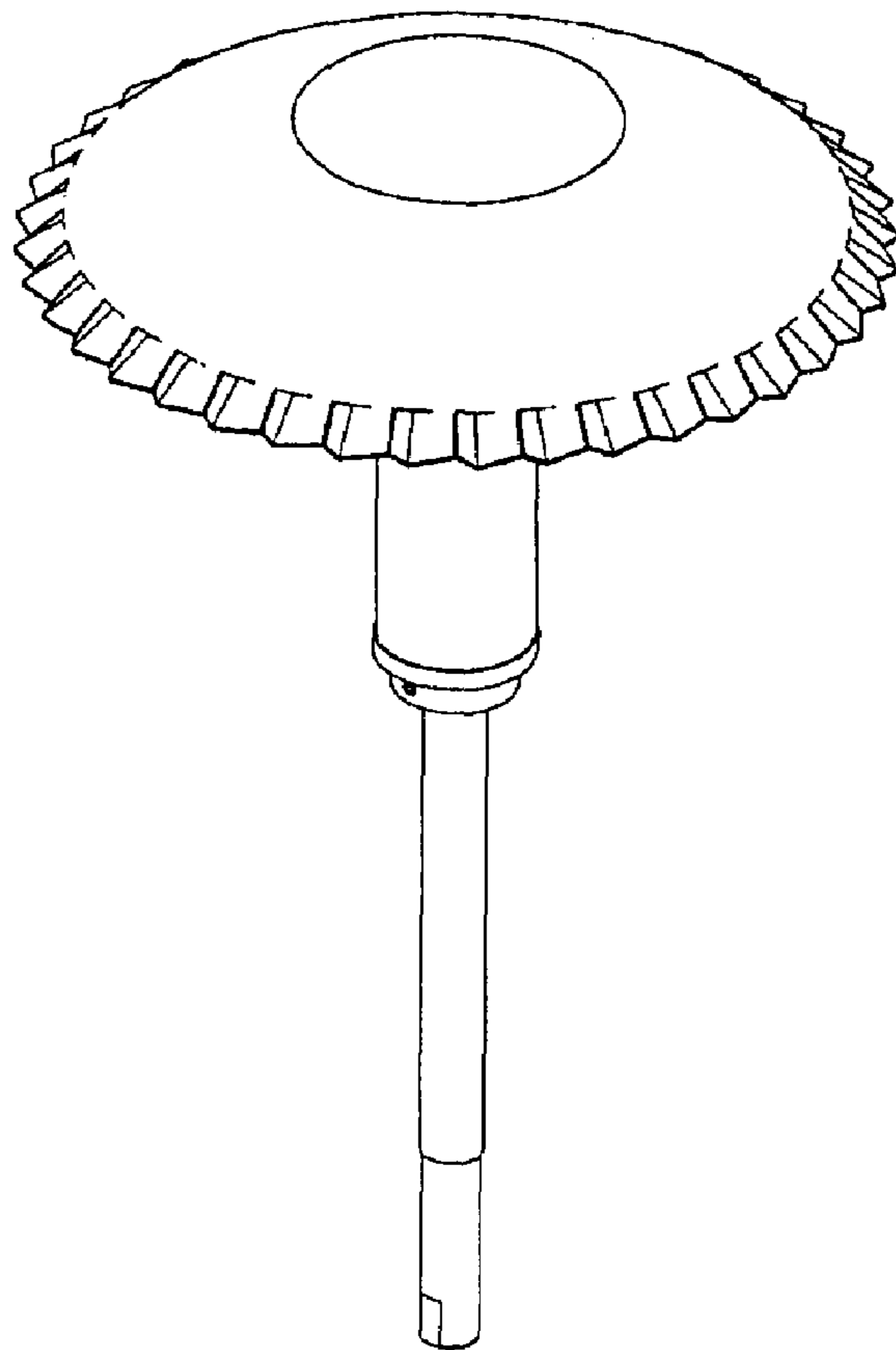


FIG. 2

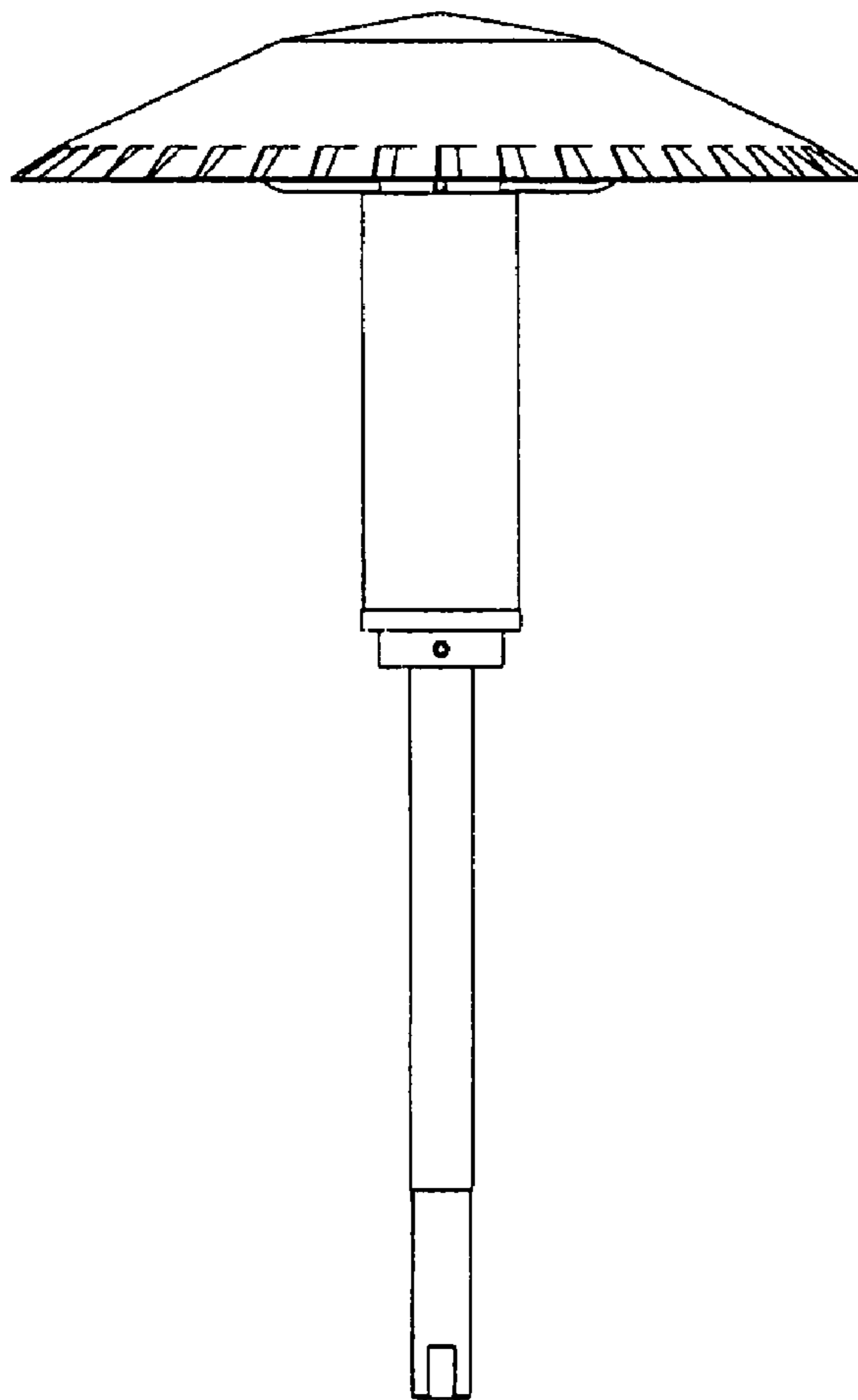


FIG. 3

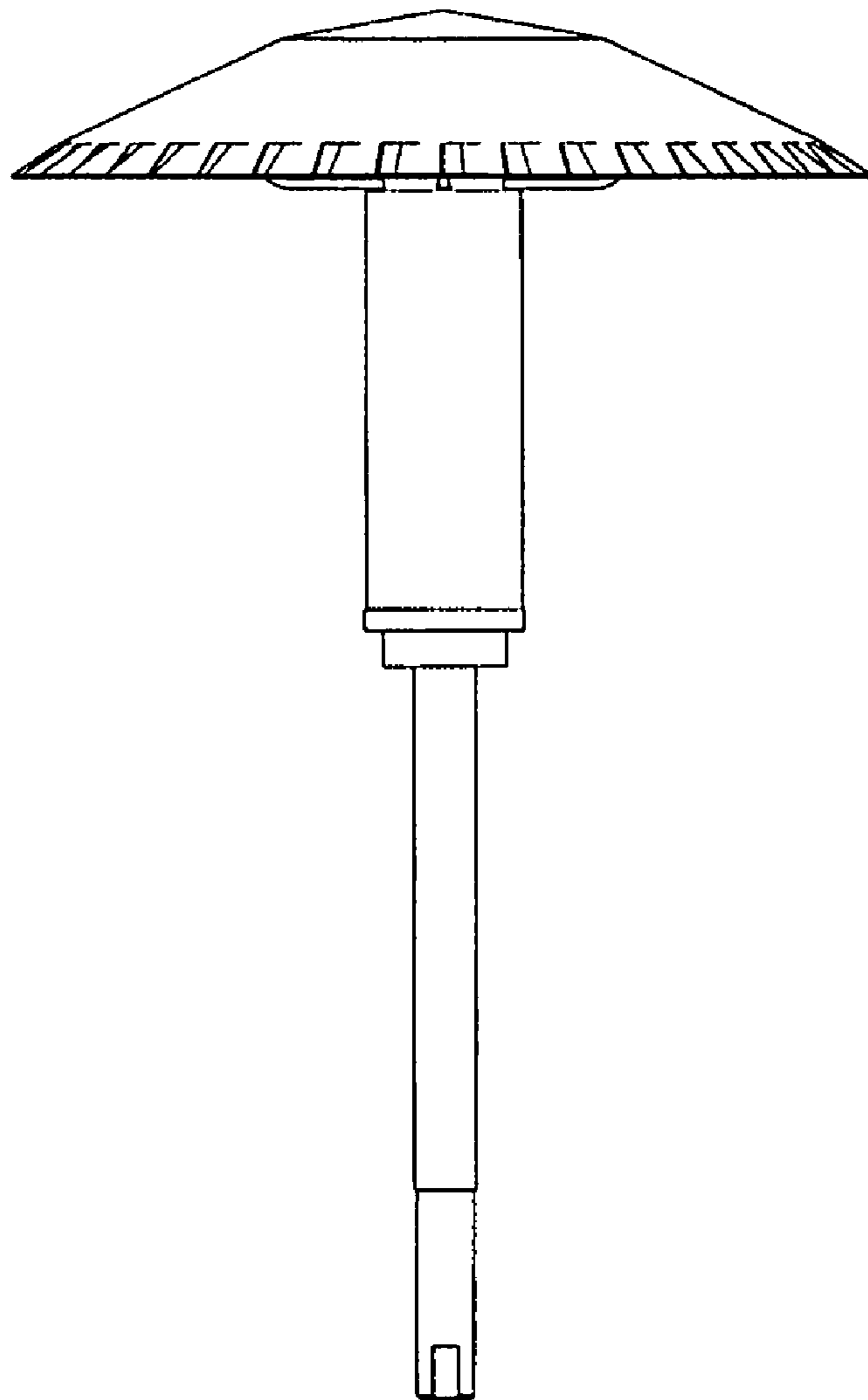


FIG. 4

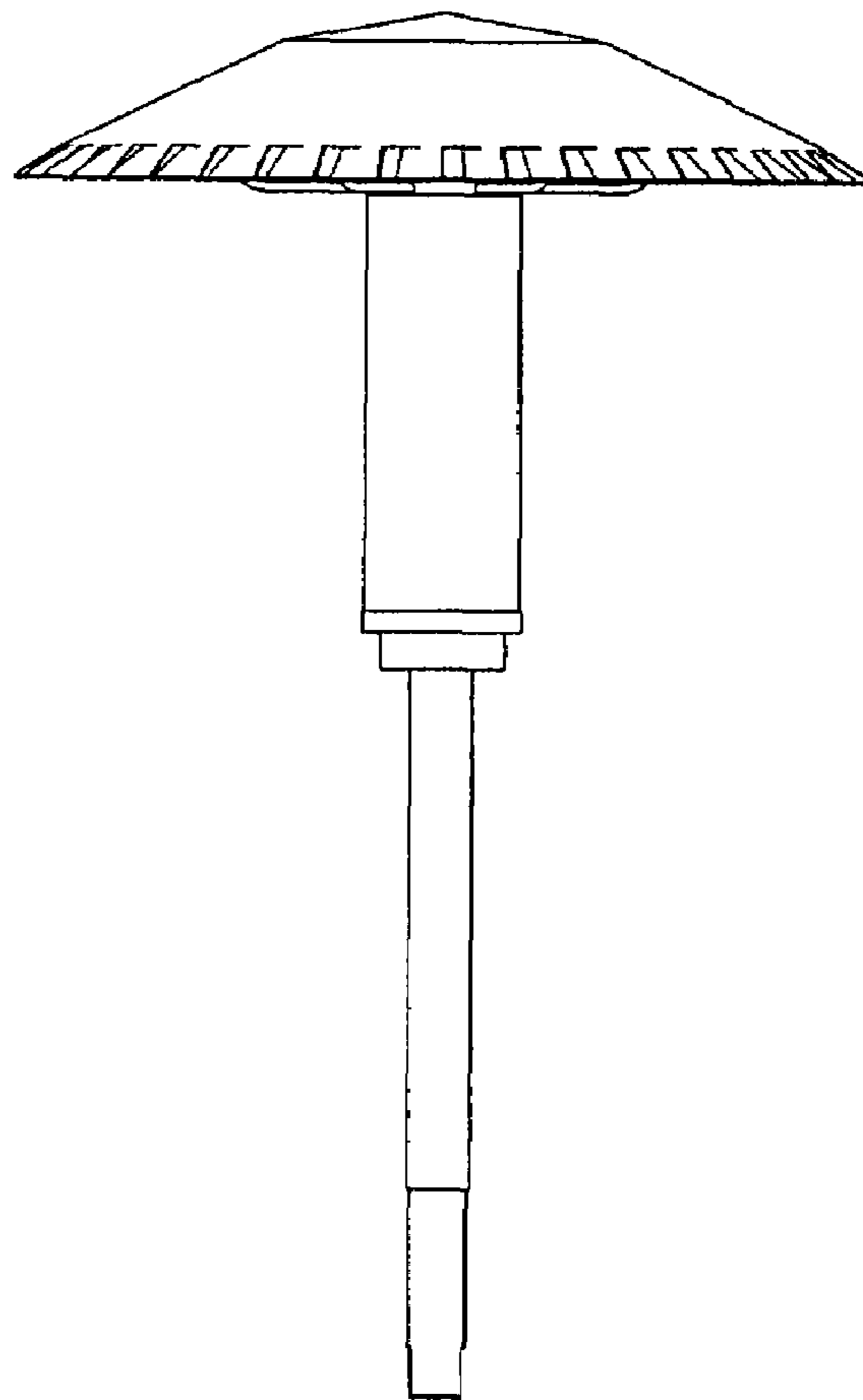


FIG. 5

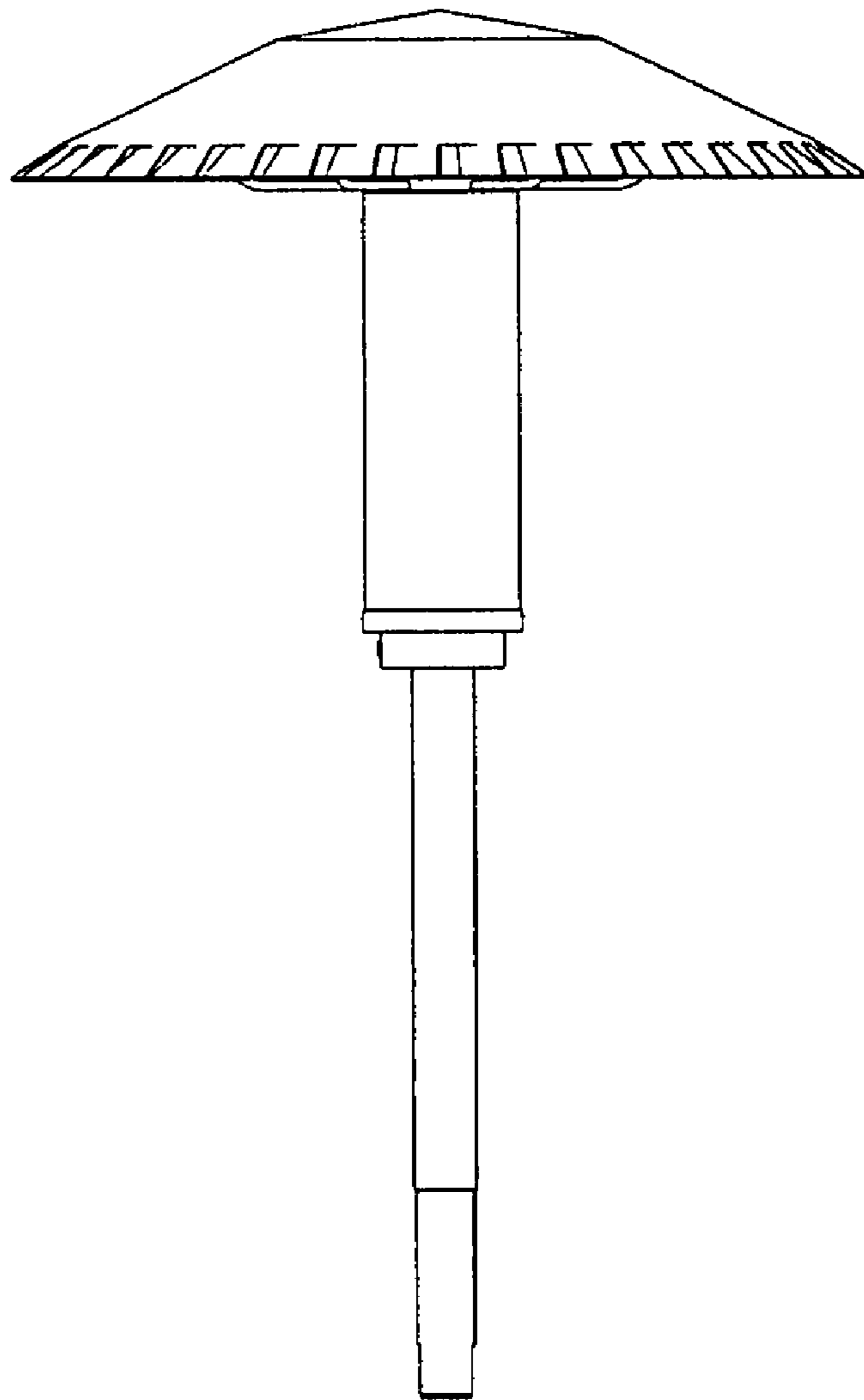


FIG. 6

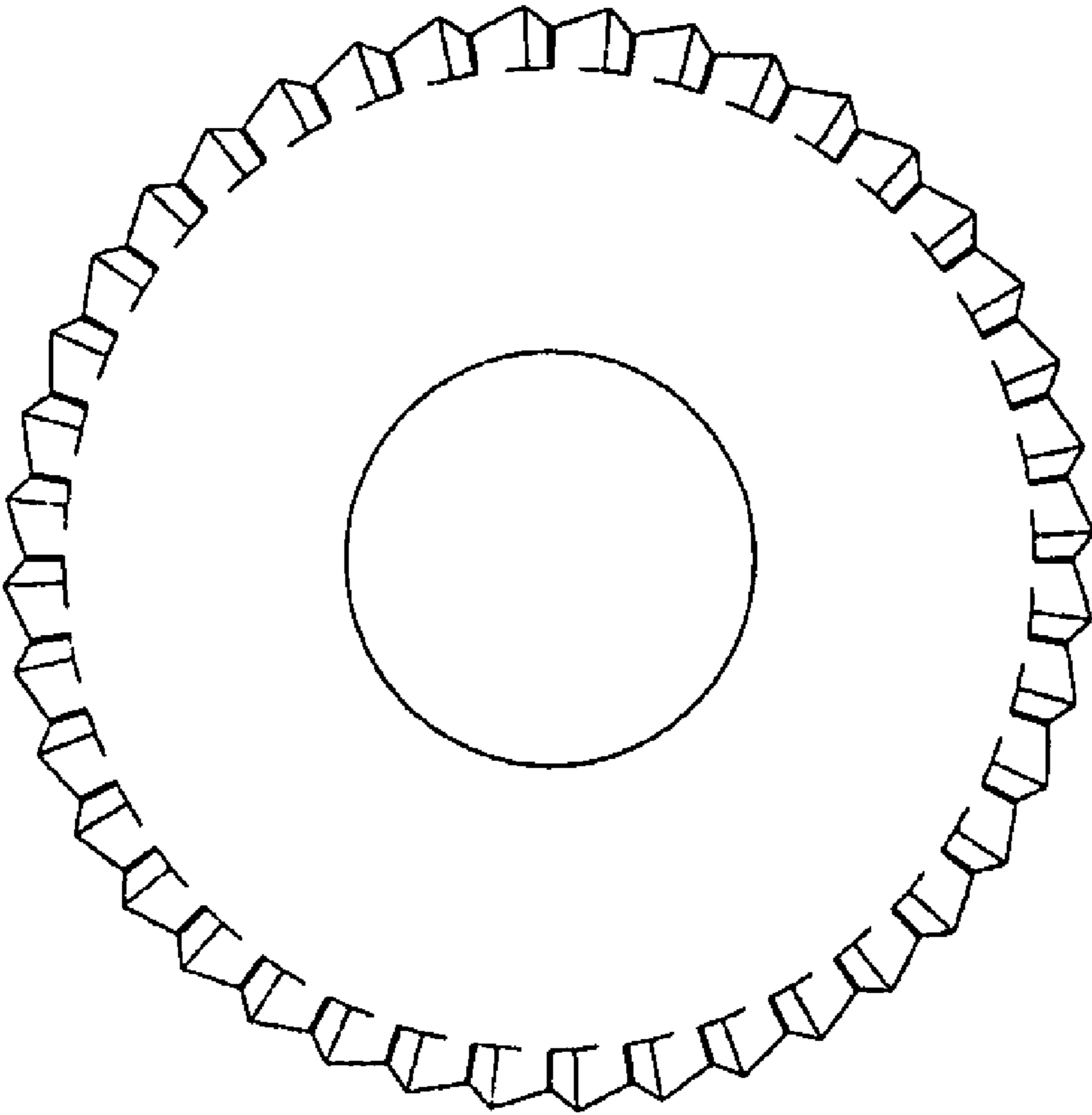


FIG. 7

