



US00D590283S

(12) **United States Design Patent**
Critelli et al.

(10) **Patent No.:** **US D590,283 S**

(45) **Date of Patent:** **** Apr. 14, 2009**

(54) **PORTION OF A TAPE MEASURE**

(75) Inventors: **James M. Critelli**, Fuquay-Varina, NC (US); **Peter Lin**, Taipei Hsien (TW); **Tony Lin**, Taipei Hsien (TW)

(73) Assignee: **Cooper Brands, Inc.**, Houston, TX (US)

(**) Term: **14 Years**

(21) Appl. No.: **29/319,424**

(22) Filed: **Jun. 9, 2008**

Related U.S. Application Data

(62) Division of application No. 29/280,939, filed on Jun. 11, 2007, now Pat. No. Des. 579,359.

(51) **LOC (9) Cl.** **10-04**

(52) **U.S. Cl.** **D10/74**

(58) **Field of Classification Search** D10/72,
D10/74; 33/755-771; 242/381.3, 384.7,
242/379, 405

See application file for complete search history.

(56) **References Cited**

U.S. PATENT DOCUMENTS

D454,082 S 3/2002 Burdow
D486,085 S 2/2004 Lee
D534,091 S 12/2006 Ebihara
7,444,758 B1 * 11/2008 Lin 33/767

OTHER PUBLICATIONS

Stanley Hand Tools, MaxSteel® Tape Rules, models 33-689, 33-691, 33-692, and 33-695, www.stanleytools.com, offered for sale before Jun. 11, 2007.

Stanley Hand Tools, FatMax® Tape Rules, models 33-726, and 33-728, www.stanleytools.com, offered for sale before Jun. 11, 2007.

Komelon USA, The Professional™ Dura Ny-Coat™ tape, www.komelonusa.com, offered for sale before Jun. 11, 2007.

Komelon USA, Grip Lock Nylon Coated Blade tape, www.komelonusa.com, offered for sale before Jun. 11, 2007.

Komelon USA, Power Tape™, www.komelonusa.com, offered for sale before Jun. 11, 2007.

Sears, Craftsman Steel Measuring Tape, www.sears.com, offered for sale before Jun. 11, 2007.

L.S. Starrett, ProSite® Series Measuring Tape, www.starrett.com, offered for sale before Jun. 11, 2007.

L.S. Starrett, Tough Tape™ My Series Measuring Tape, www.starrett.com, offered for sale before Jun. 11, 2007.

* cited by examiner

Primary Examiner—Antoine D Davis

(74) *Attorney, Agent, or Firm*—Saidman DesignLaw Group

(57) **CLAIM**

The ornamental design for a portion of a tape measure, as shown and described.

DESCRIPTION

FIG. 1 is a perspective view of a portion of a tape measure showing our new design;

FIG. 2 is a front view thereof;

FIG. 3 is a rear view thereof;

FIG. 4 is a left side view thereof;

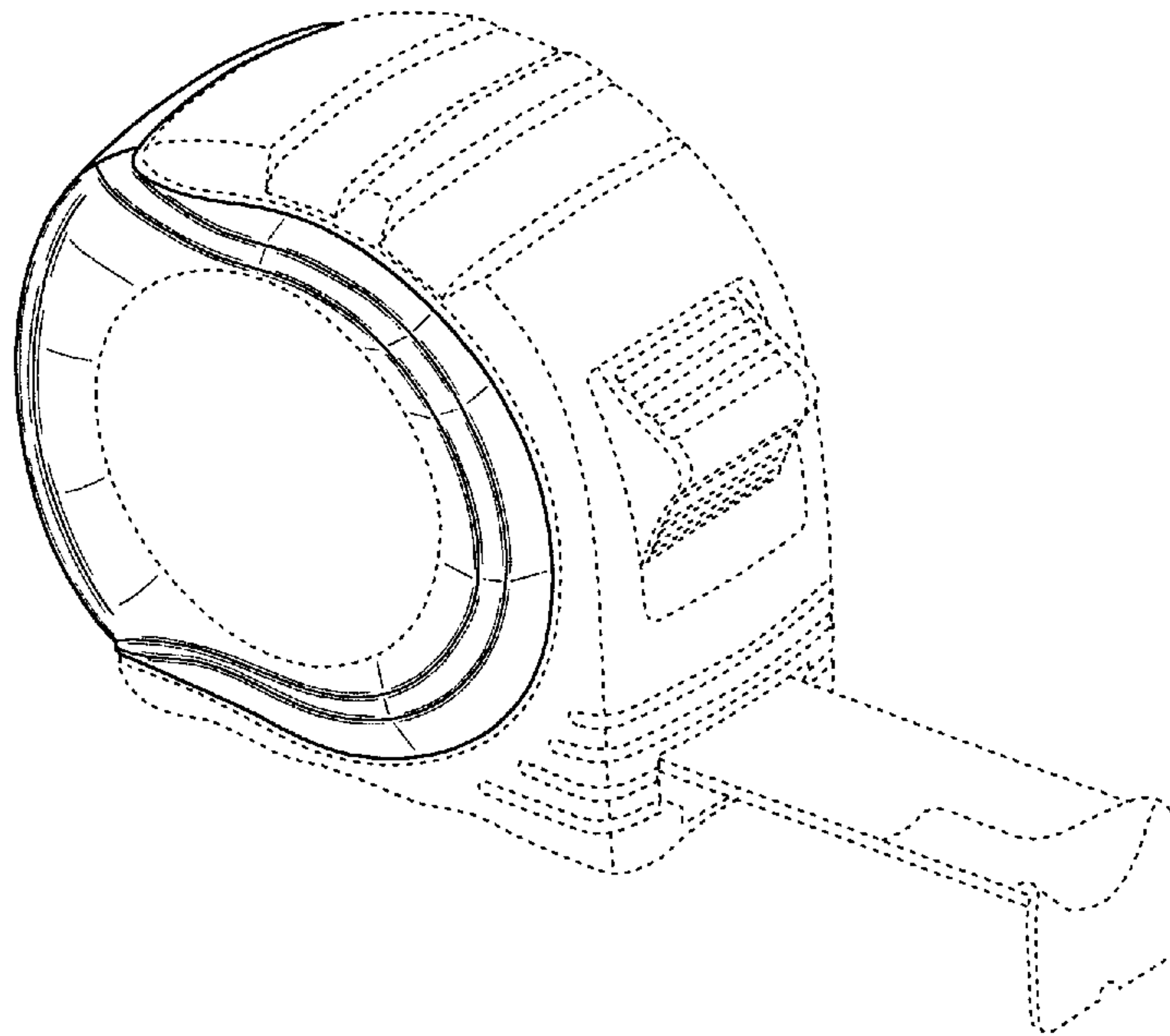
FIG. 5 is a right side view thereof;

FIG. 6 is a top view thereof; and,

FIG. 7 is a bottom view thereof.

The broken line showing of structural lines is included for the purpose of illustrating non-claimed subject matter and forms no part of the claimed design.

1 Claim, 4 Drawing Sheets



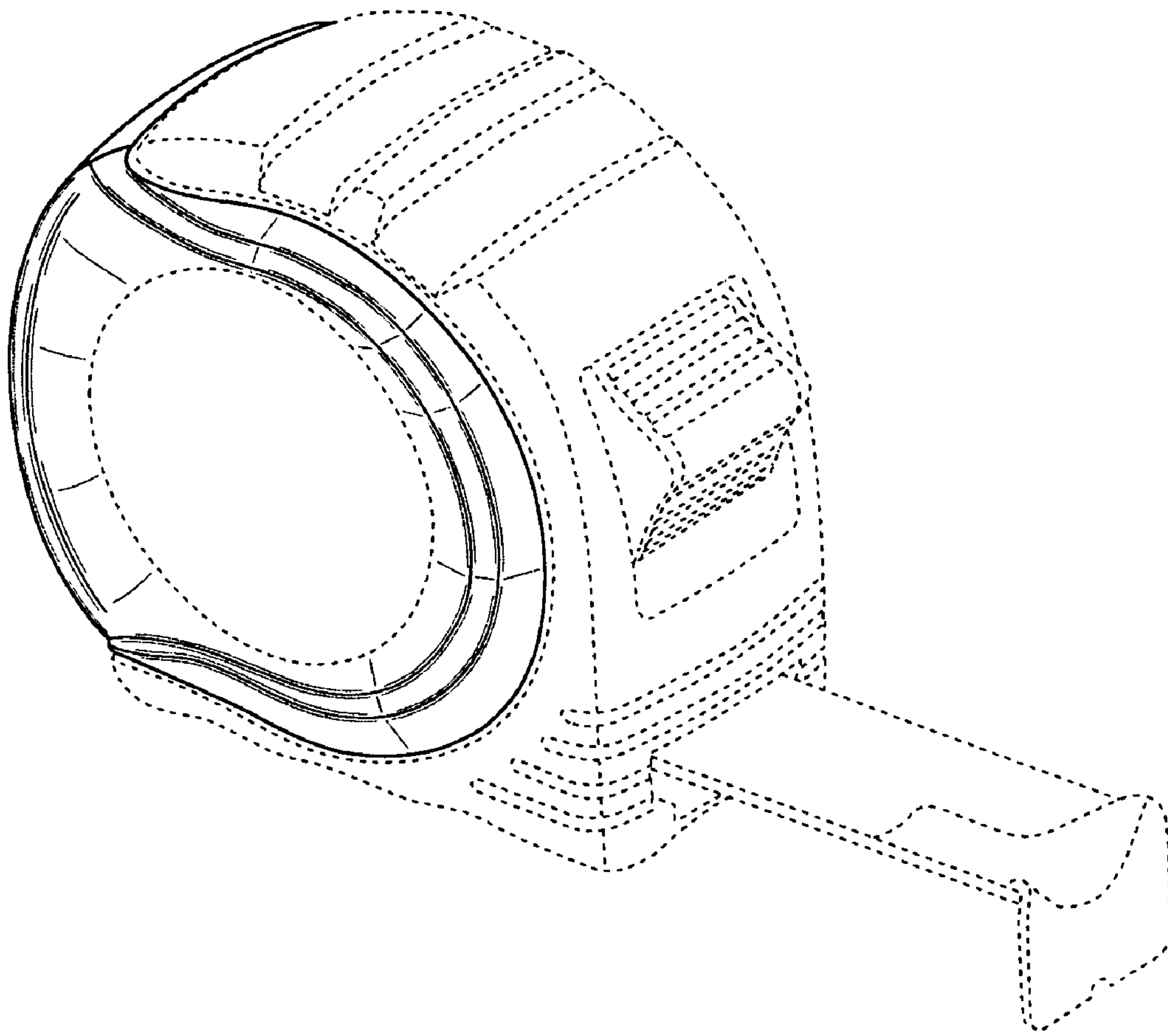


Fig. 1

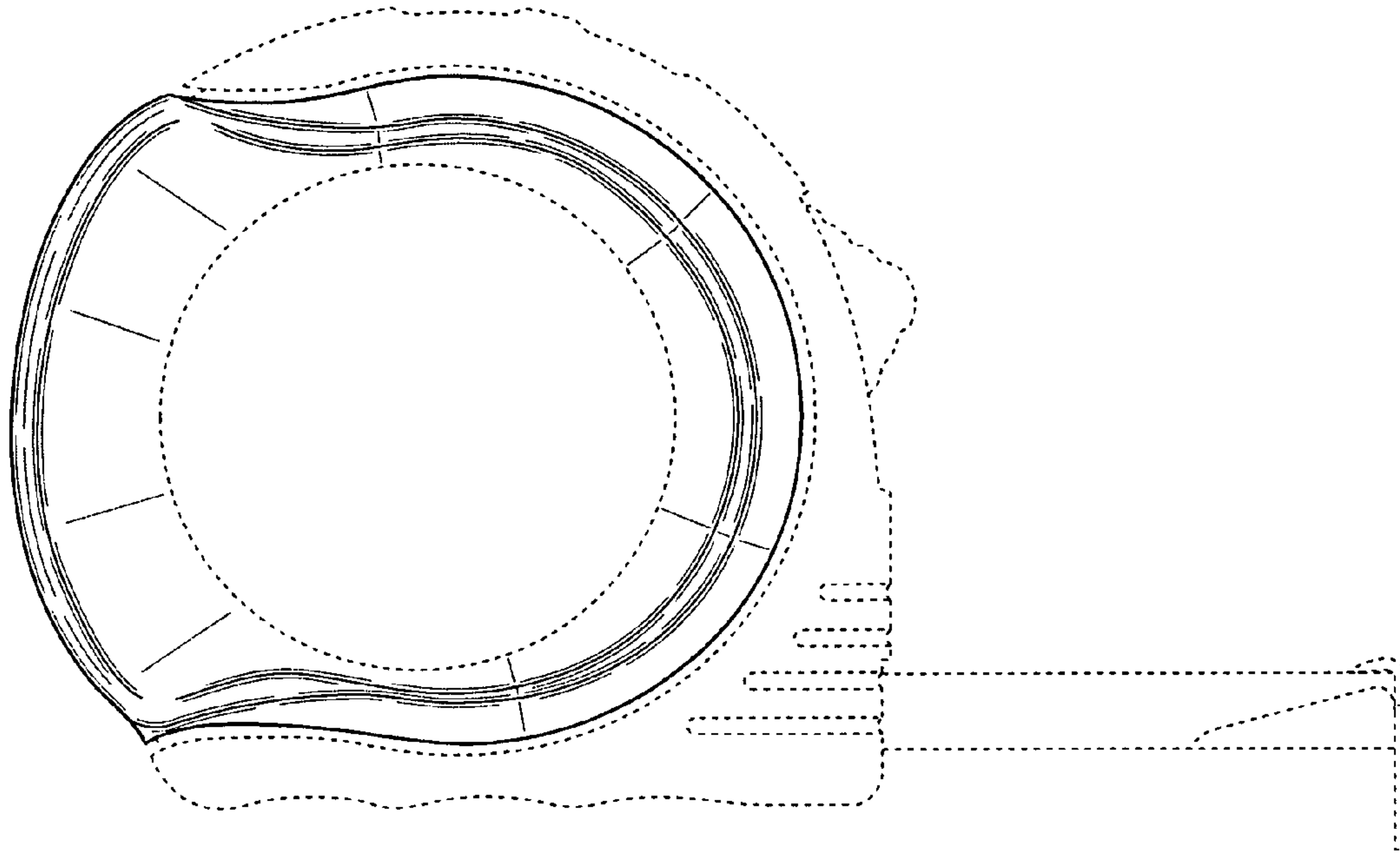


Fig. 2

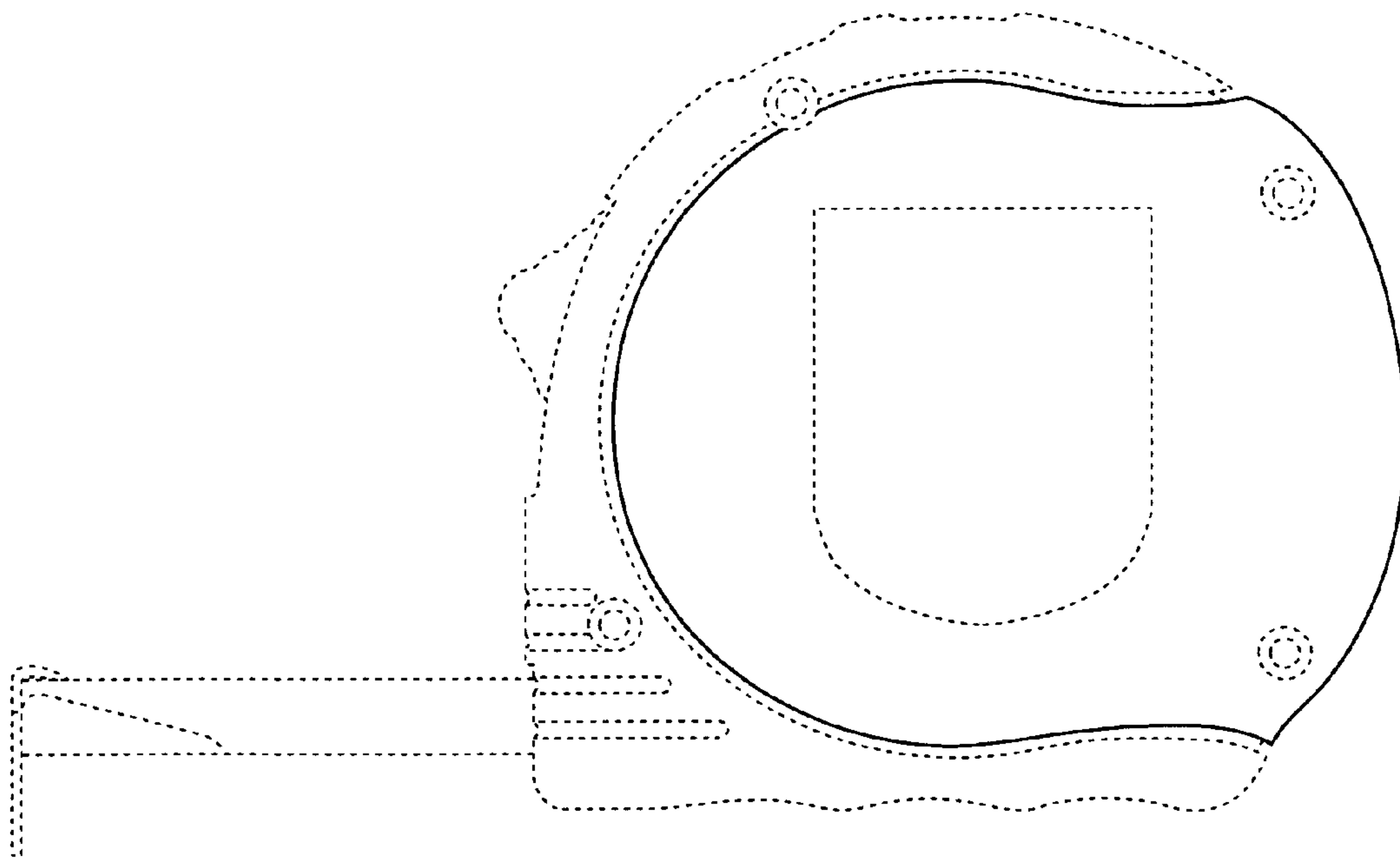


Fig. 3

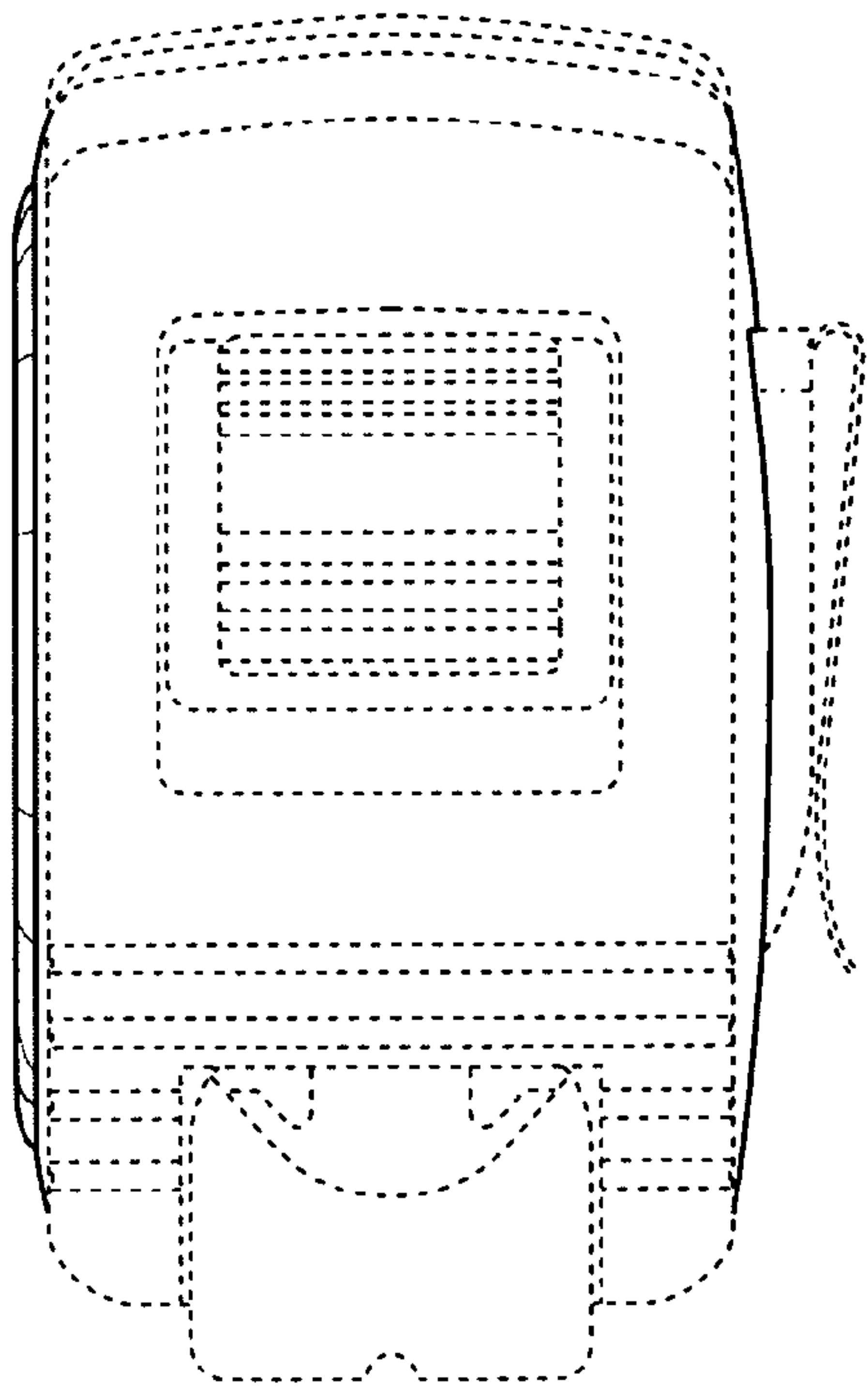


Fig. 4

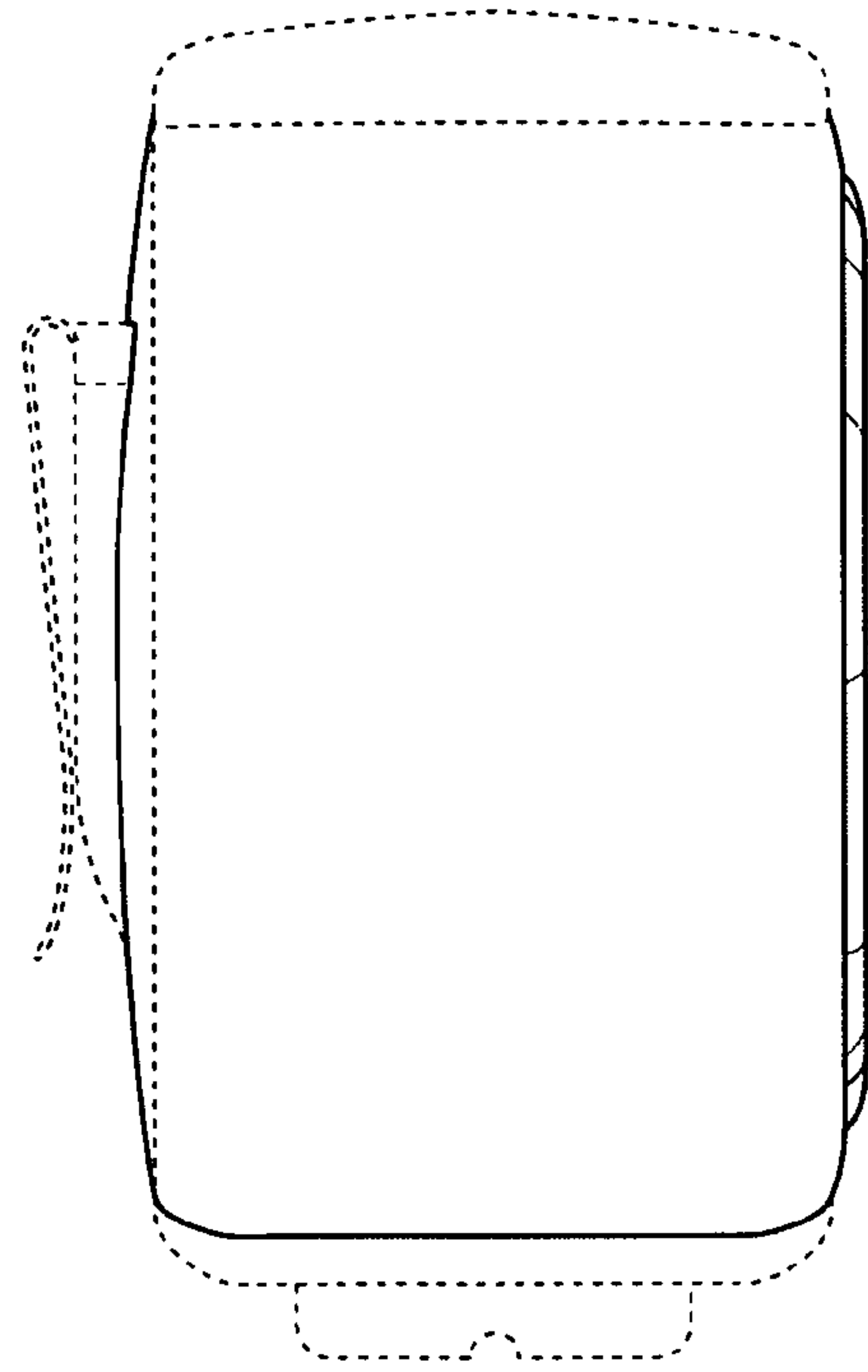


Fig. 5

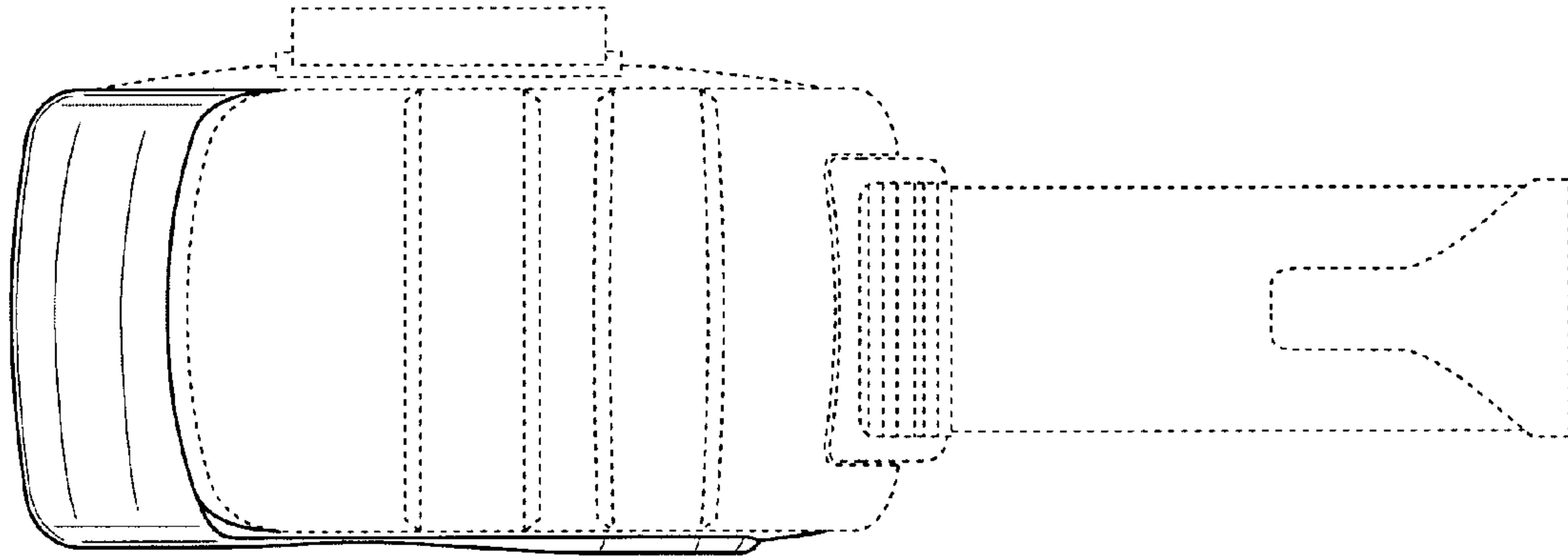


Fig. 6

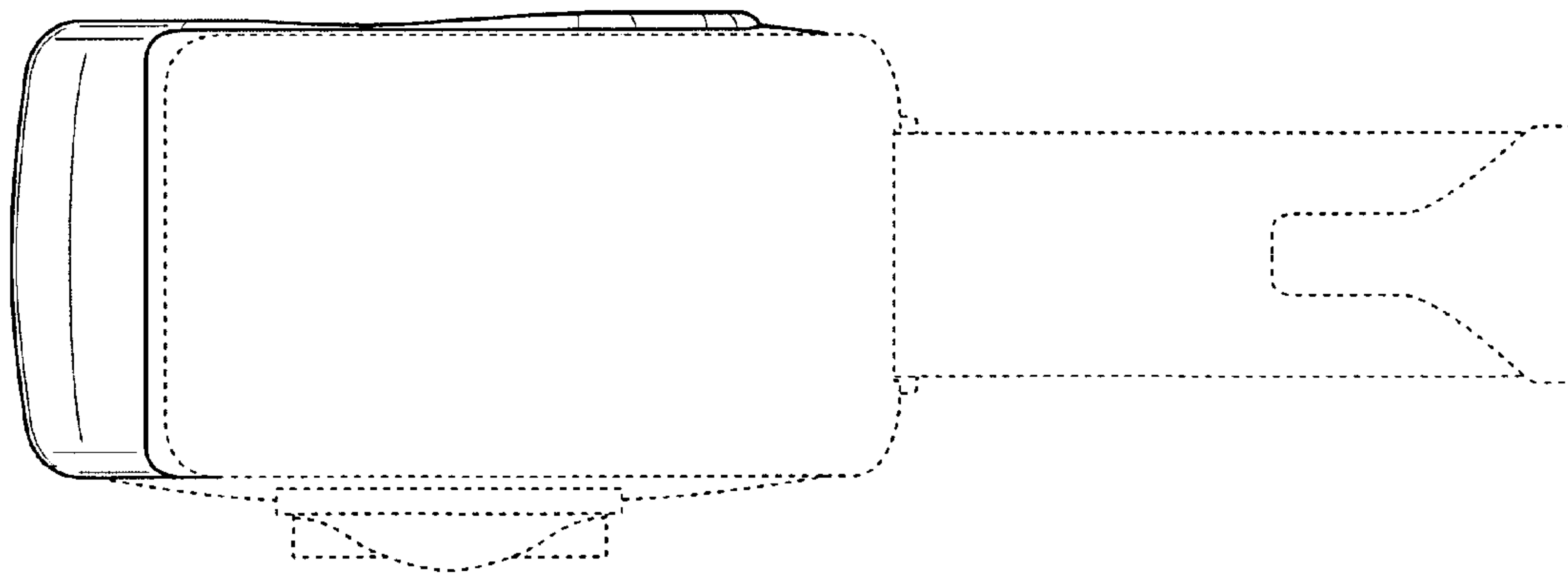


Fig. 7