



US00D590282S

(12) **United States Design Patent**
Allemand

(10) **Patent No.:** **US D590,282 S**

(45) **Date of Patent:** **** *Apr. 14, 2009**

(54) **VIAL SUPPORT ASSEMBLY FOR A LEVEL**

(76) **Inventor:** **James S. Allemand**, 11746 Wind Dance Dr., Mokena, IL (US) 60448

(*) **Notice:** This patent is subject to a terminal disclaimer.

(**) **Term:** **14 Years**

(21) **Appl. No.:** **29/286,044**

(22) **Filed:** **Apr. 20, 2007**

(51) **LOC (9) Cl.** **10-04**

(52) **U.S. Cl.** **D10/74**

(58) **Field of Classification Search** D10/69, D10/74; 33/365, 376, 379, 384, 389, 390
See application file for complete search history.

(56) **References Cited**

U.S. PATENT DOCUMENTS

811,175	A *	1/1906	Rider	33/390
D294,334	S *	2/1988	Handler et al.	D10/74
4,979,310	A *	12/1990	Wright	33/379
5,033,199	A *	7/1991	Wilcox et al.	33/379

5,105,549	A *	4/1992	Johnson	33/379
D348,619	S *	7/1994	Hansen	D10/69
6,243,957	B1 *	6/2001	Gruetzmacher et al.	33/382
6,760,975	B1 *	7/2004	Schmidt	33/382
7,204,029	B2	4/2007	Tran et al.		

* cited by examiner

Primary Examiner—Antoine D Davis

(74) *Attorney, Agent, or Firm*—Brinks Hofer Gilson & Lione

(57) **CLAIM**

I claim the ornamental design for a vial support assembly for a level, as shown and described.

DESCRIPTION

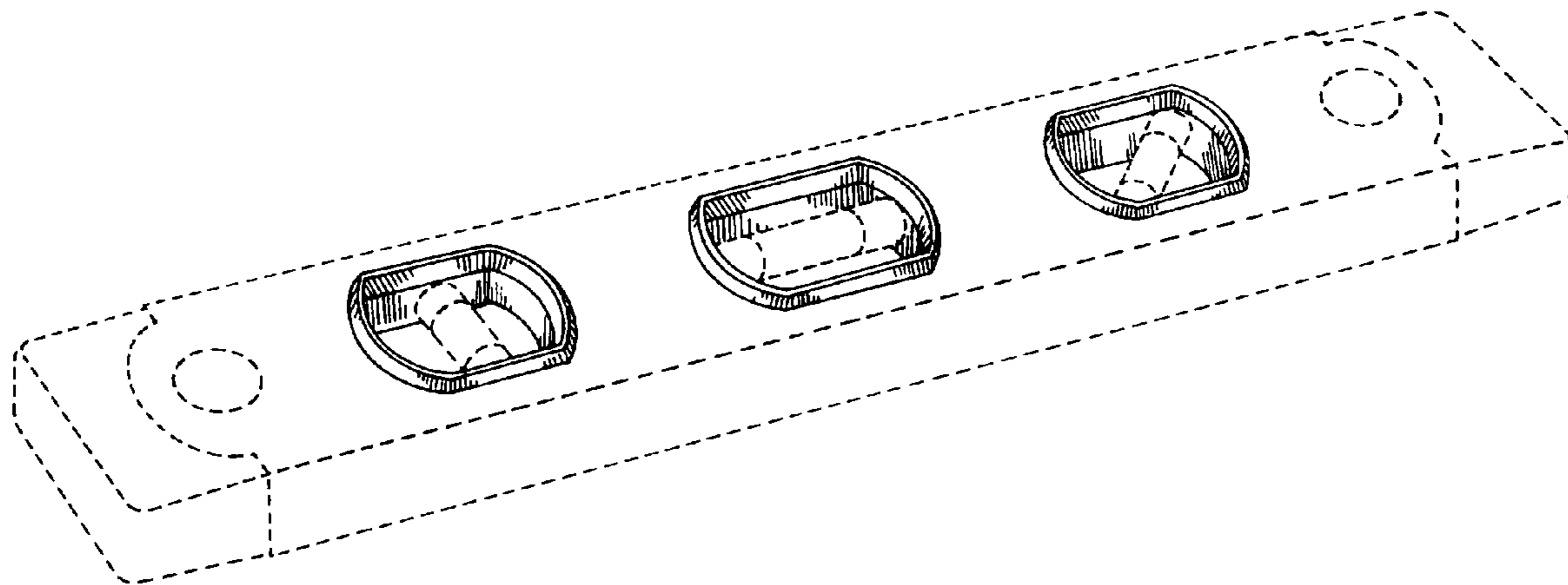
FIG. 1 is a front, bottom perspective view of our new, original and ornamental design for a vial support assembly, with the broken lines showing a level for illustrative purposes;

FIG. 2 is a front elevational view thereof; and,

FIG. 3 is a rear elevational view thereof.

The broken lines are for illustrative purposes only and form no part of the claimed design.

1 Claim, 2 Drawing Sheets



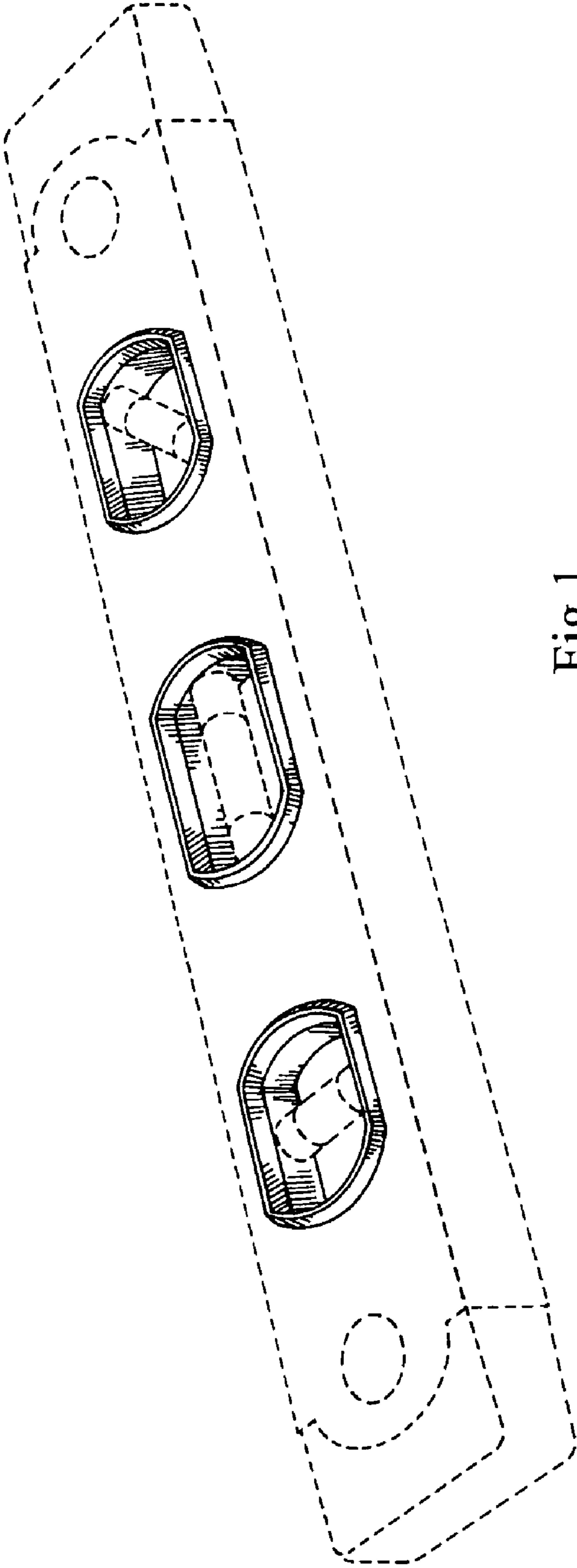


Fig.1

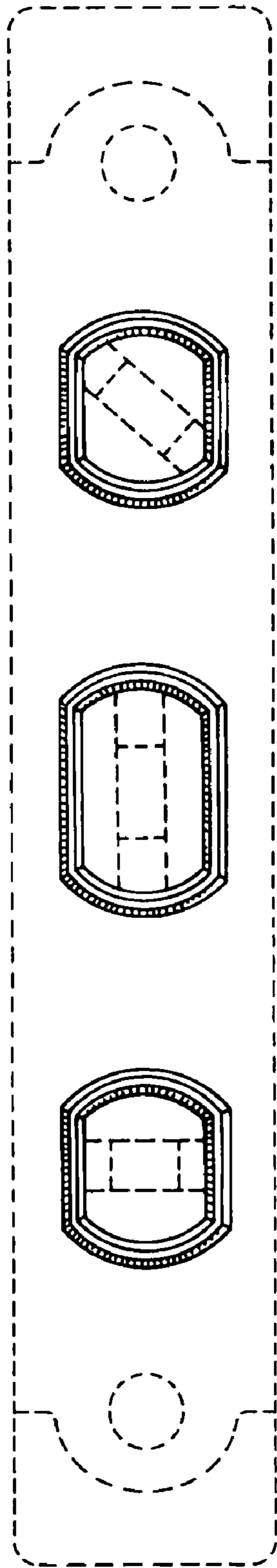


Fig. 2

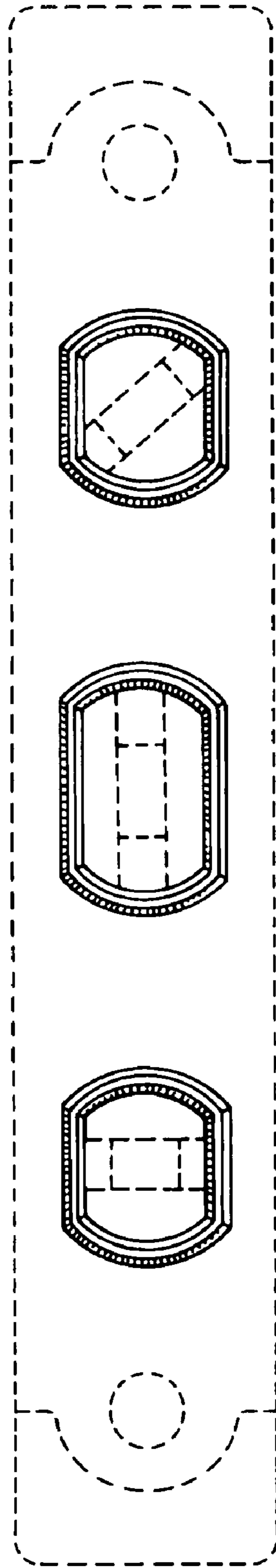


Fig. 3