



US00D590279S

(12) **United States Design Patent**
Gray

(10) **Patent No.:** **US D590,279 S**

(45) **Date of Patent:** **** Apr. 14, 2009**

(54) **ALIGNMENT HEAD**

6,574,877 B2 * 6/2003 Gray et al. 33/203.18

(75) Inventor: **Brian K. Gray**, Conway, AR (US)

* cited by examiner

(73) Assignee: **Snap-On Incorporated**, Kenosha, WI (US)

Primary Examiner—Philip S Hyder
(74) *Attorney, Agent, or Firm*—McDermott Will & Emery LLP

(**) Term: **14 Years**

(57) **CLAIM**

(21) Appl. No.: **29/287,570**

The ornamental design for an alignment head, as shown and described.

(22) Filed: **Aug. 24, 2007**

(51) **LOC (9) Cl.** **10-04**

(52) **U.S. Cl.** **D10/46**

(58) **Field of Classification Search** D10/46;
356/155, 375; 33/203.15, 203.16, 203.17,
33/203, 286, 388

See application file for complete search history.

DESCRIPTION

FIG. 1 is a perspective view of an alignment head, showing one embodiment of my new design;

FIG. 2 is a left side view thereof;

FIG. 3 is a right side view thereof;

FIG. 4 is a front end view thereof;

FIG. 5 is a rear end view thereof;

FIG. 6 is a top view thereof; and,

FIG. 7 is a bottom view thereof.

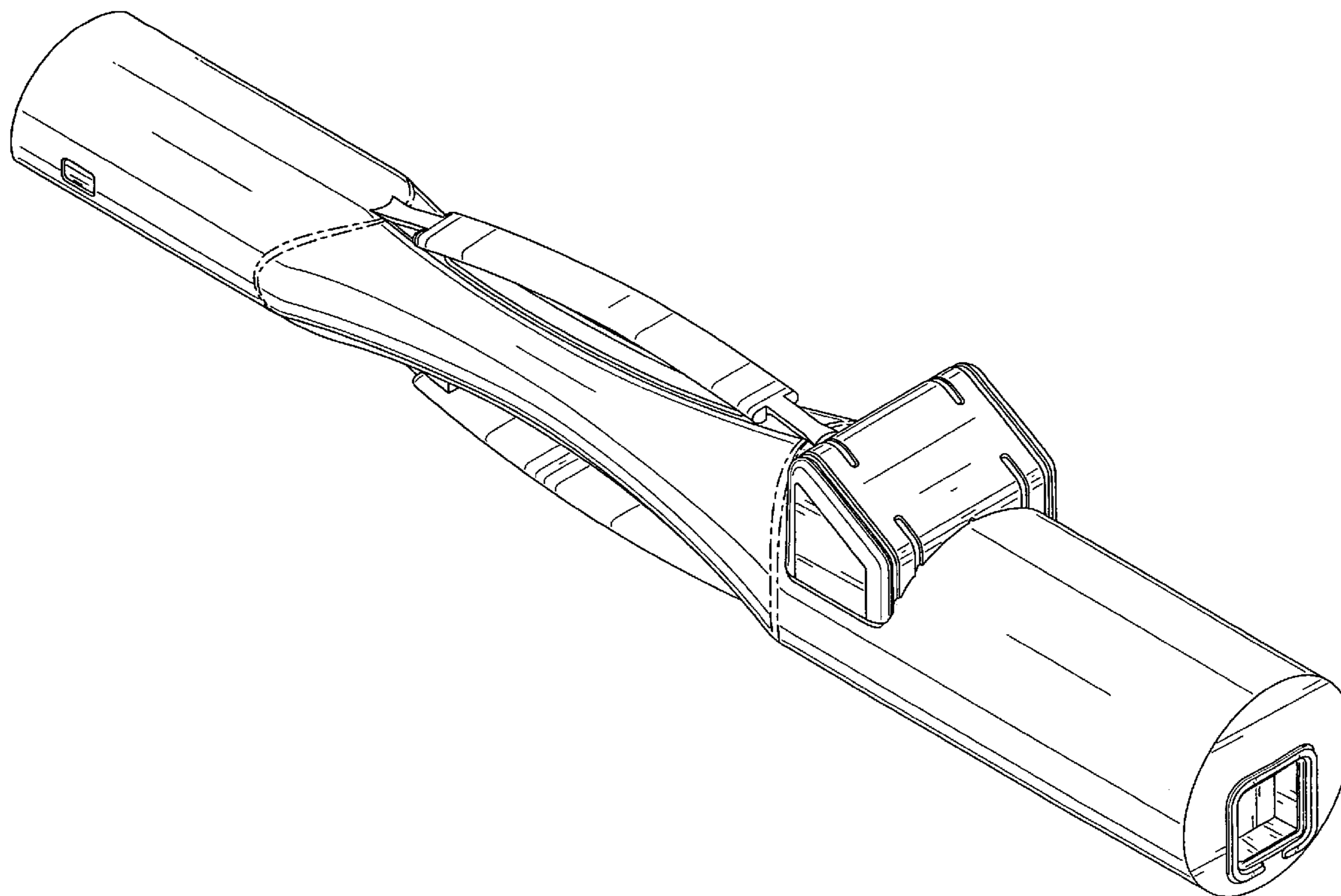
The portions shown in broken lines are for illustrative purposes only and form no part of the claimed design.

(56) **References Cited**

U.S. PATENT DOCUMENTS

4,303,338	A *	12/1981	Morrison et al.	356/155
4,466,196	A *	8/1984	Woodruff	33/288
D278,983	S *	5/1985	Woodruff	D10/46
4,827,623	A *	5/1989	Goodell	33/288
5,532,816	A *	7/1996	Spann et al.	356/139.09
6,082,011	A *	7/2000	Phillips, III	33/203.15

1 Claim, 4 Drawing Sheets



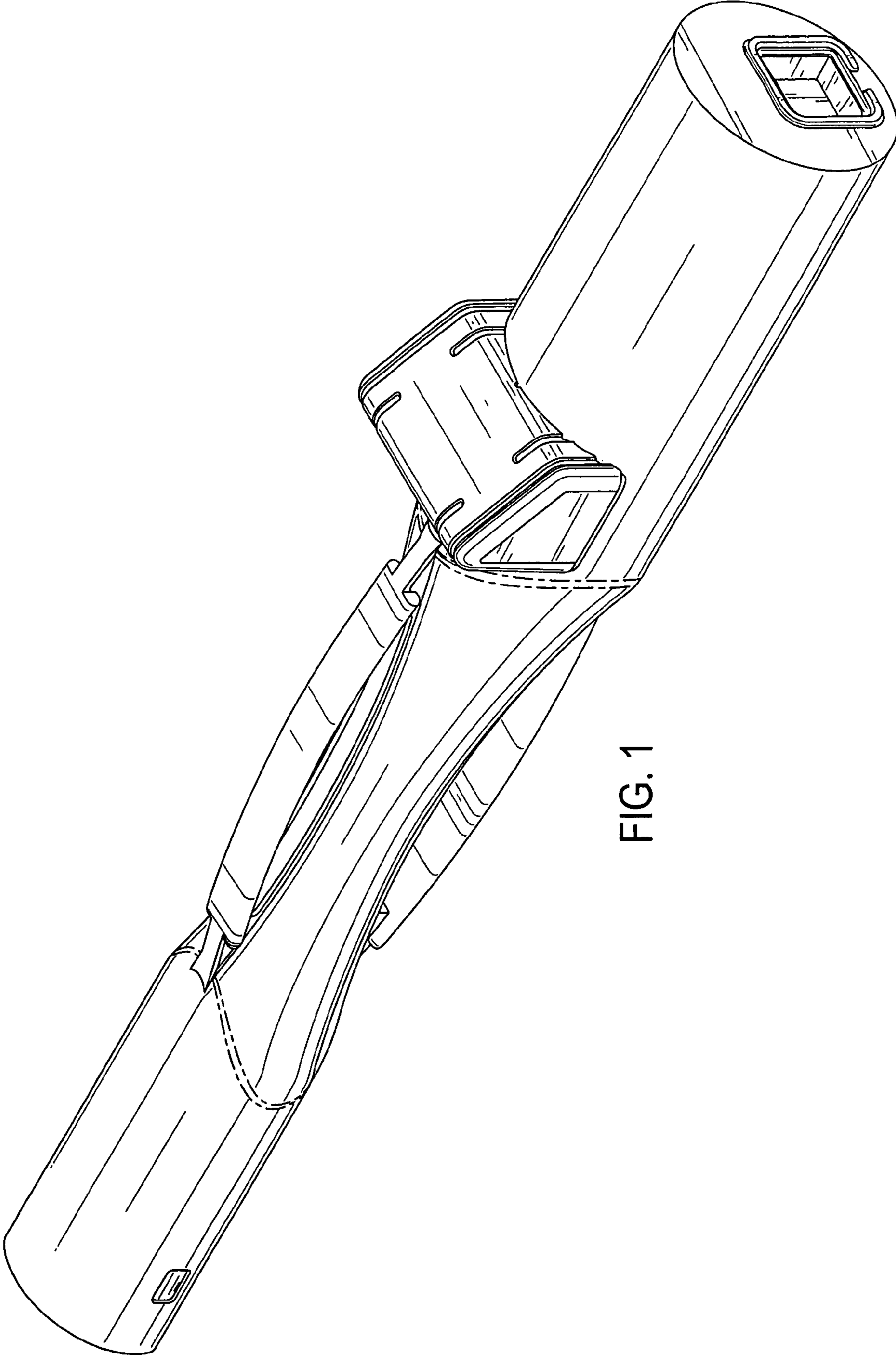


FIG. 1

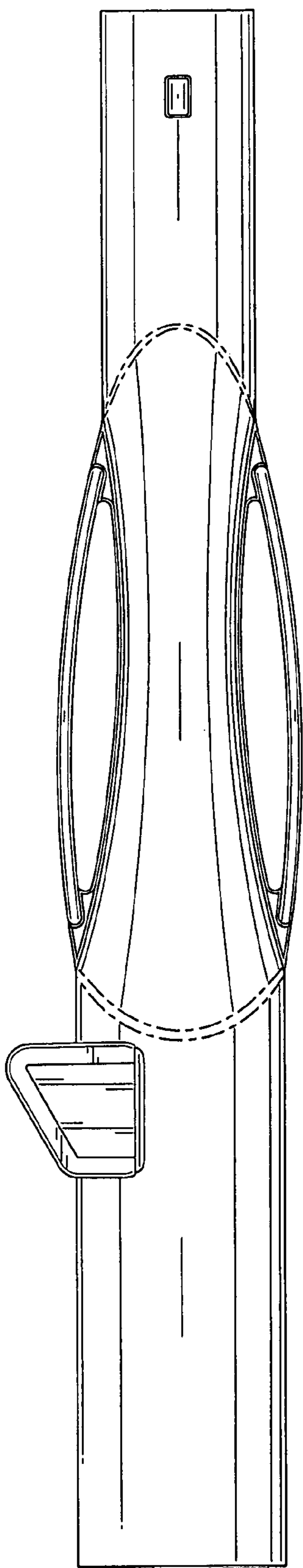


FIG. 2

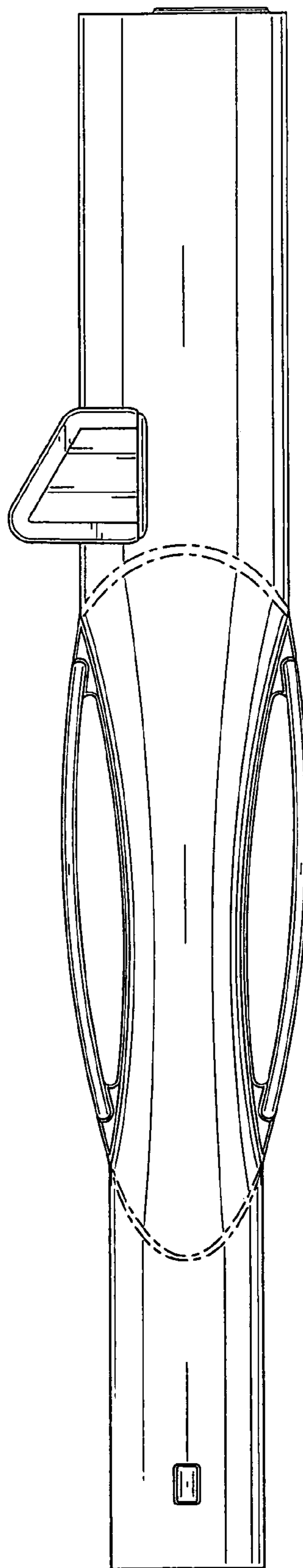


FIG. 3

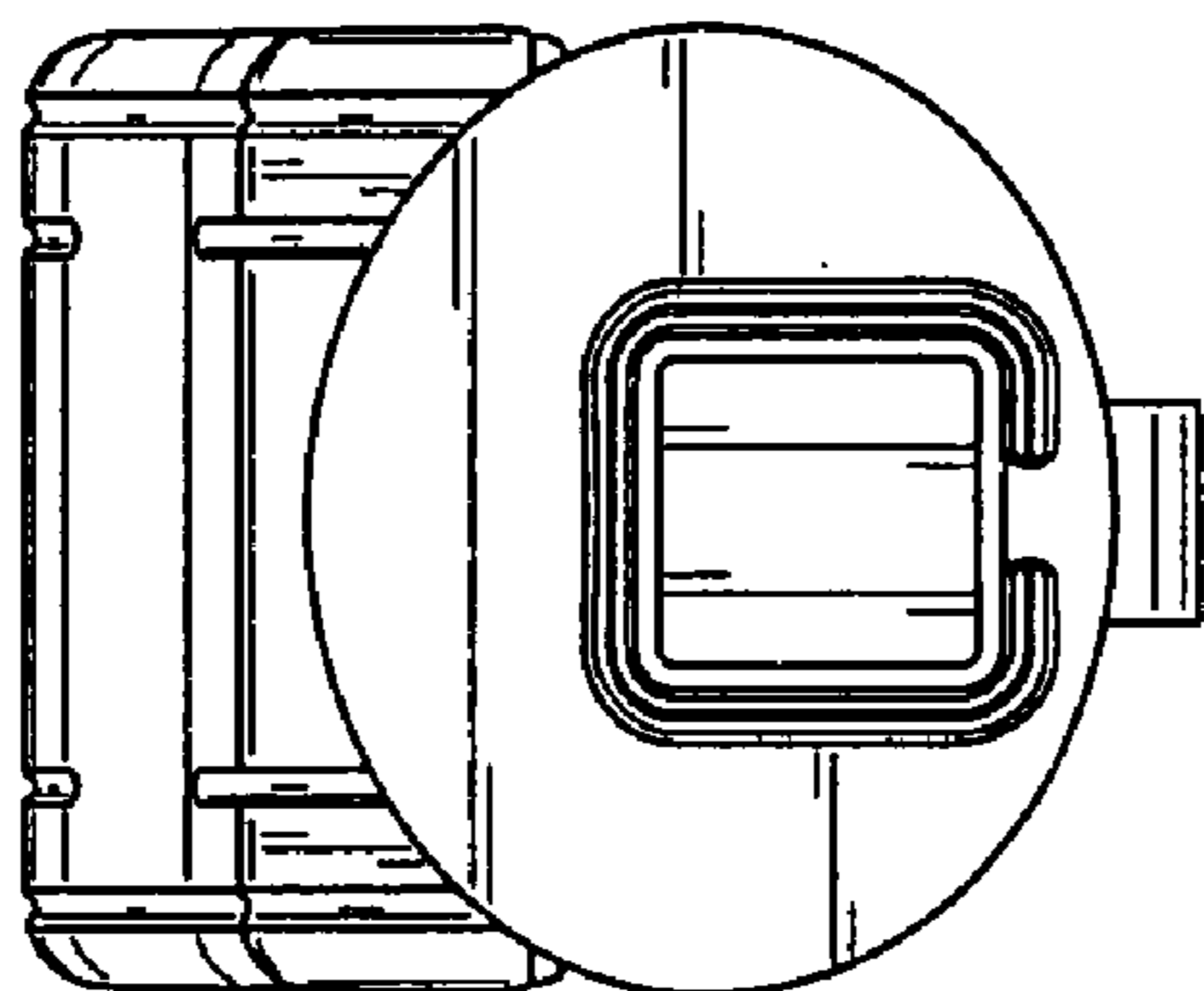


FIG. 5

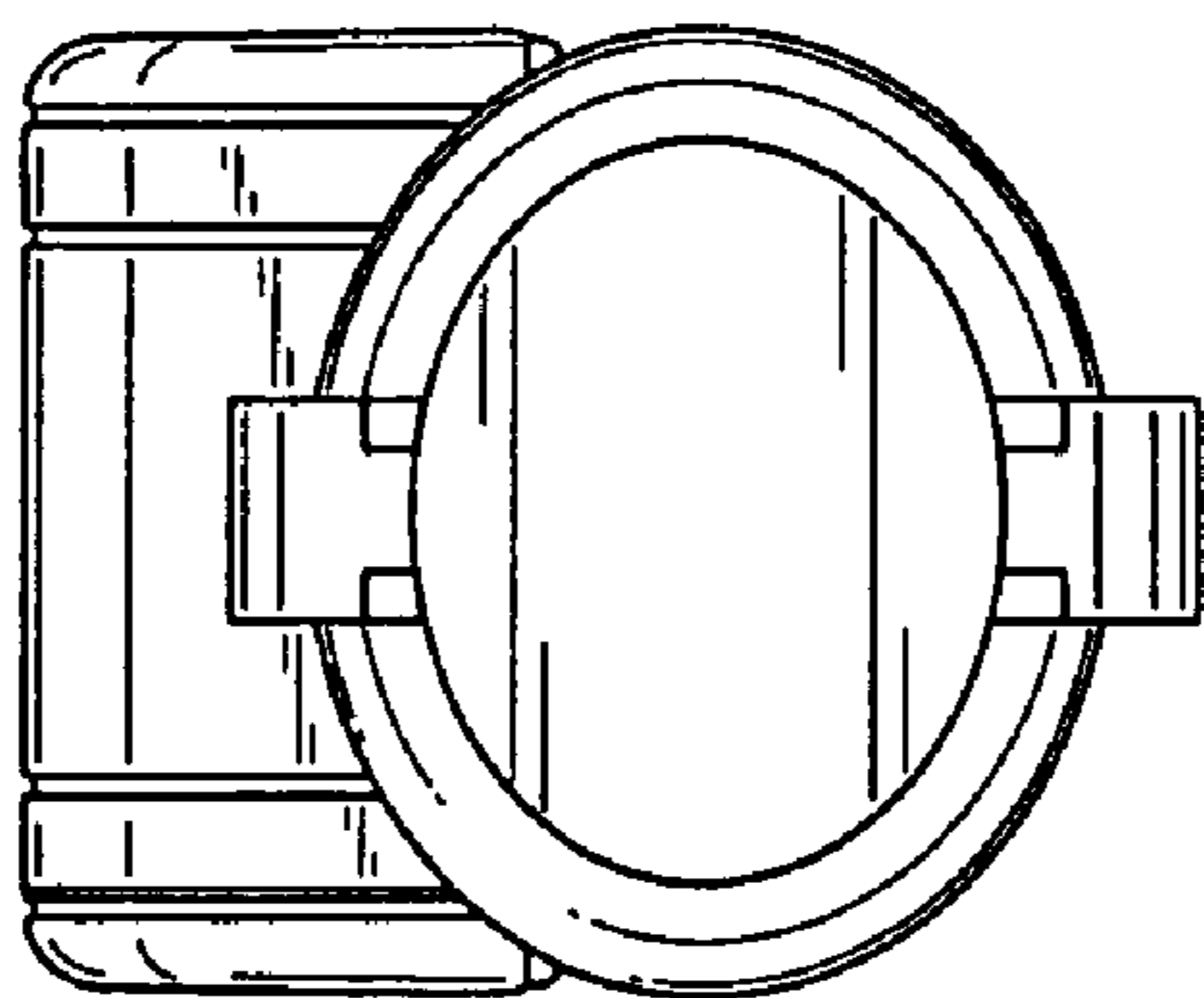


FIG. 4

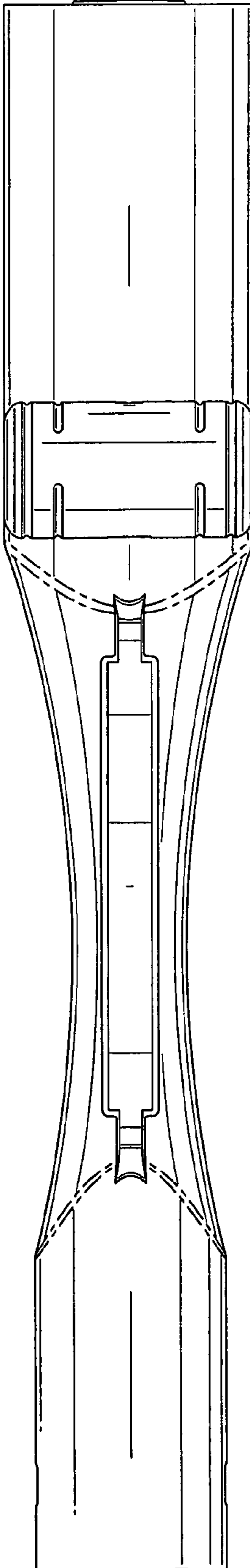


FIG. 6

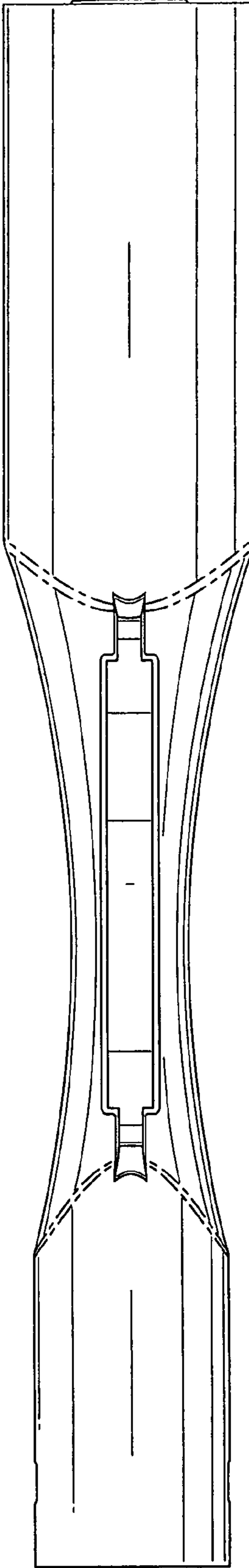


FIG. 7