



US00D590278S

(12) **United States Design Patent**  
**Holtzman**

(10) **Patent No.:** **US D590,278 S**  
(45) **Date of Patent:** **\*\* Apr. 14, 2009**

(54) **WATCH**

(75) **Inventor:** **Steven M. Holtzman**, Wilkes-Barre, PA  
(US)

(73) **Assignee:** **Helvetia Time, Inc.**, Wilkes-Barre, PA  
(US)

(\*\*) **Term:** **14 Years**

(21) **Appl. No.:** **29/325,341**

(22) **Filed:** **Sep. 29, 2008**

(51) **LOC (9) Cl.** ..... **10-02**

(52) **U.S. Cl.** ..... **D10/39**

(58) **Field of Classification Search** ..... D10/30-39,  
D10/122-132; 368/276, 281, 282, 285, 15-18,  
368/28, 39, 40, 223, 228, 232, 235, 80  
See application file for complete search history.

(56) **References Cited**

**U.S. PATENT DOCUMENTS**

1,675,675	A *	7/1928	Wadsworth	.....	368/281
1,996,276	A *	4/1935	Cowen	.....	224/178
2,361,563	A *	10/1944	Pellaton	.....	368/80
D151,301	S *	10/1948	Tuffo	.....	D10/31
2,559,211	A *	7/1951	Brunengraber	.....	40/111
D382,211	S *	8/1997	Bodino	.....	D10/30
D491,820	S *	6/2004	Bitetto	.....	D10/39
D493,111	S *	7/2004	Afshar	.....	D10/32
D497,813	S *	11/2004	Monti	.....	D10/39
D519,852	S *	5/2006	Roden	.....	D10/31

D540,699	S *	4/2007	Niculescu	.....	D10/39
D545,695	S *	7/2007	Laucella	.....	D10/31
D553,020	S *	10/2007	Sirmakes	.....	10/32
D558,615	S *	1/2008	Sirmakes	.....	D10/39
D560,124	S *	1/2008	Sirmakes	.....	D10/32
D578,412	S *	10/2008	Belamich	.....	D10/39

\* cited by examiner

*Primary Examiner*—Lucy Lieberman

(74) *Attorney, Agent, or Firm*—Galbreath Law Offices, P.C.;  
John A. Galbreath

(57) **CLAIM**

The ornamental design for a watch, as shown and described.

**DESCRIPTION**

FIG. 1 is a bottom view of the invention;

FIG. 2 is a top view of the invention;

FIG. 3 is a top perspective view of the invention showing the side with the watch crown;

FIG. 4 is a bottom perspective view of the invention showing the side opposite that shown in FIG. 3;

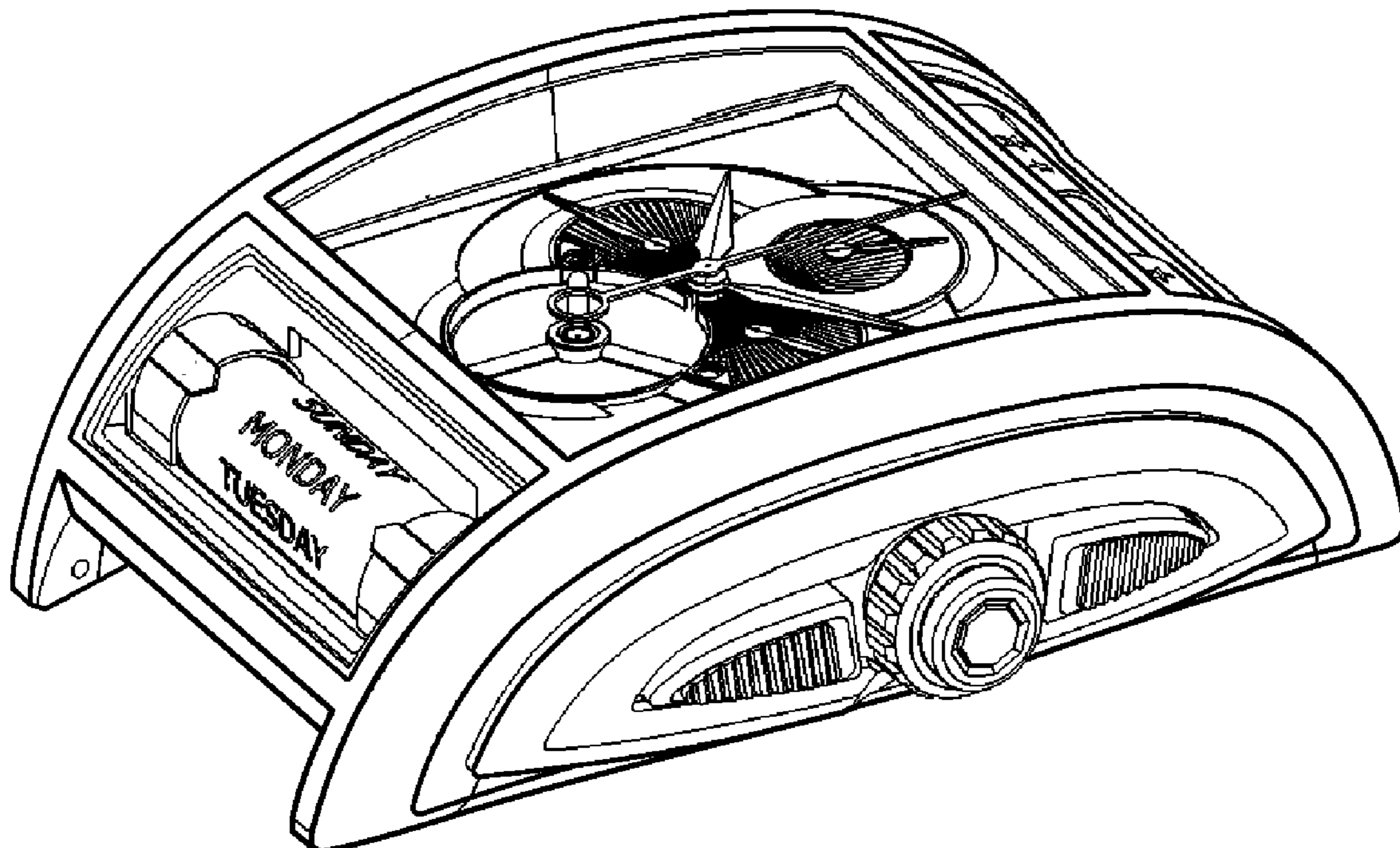
FIG. 5 is a side view of the invention;

FIG. 6 is a front view of the invention;

FIG. 7 is a side view of the invention, showing the side opposite that shown in FIG. 5; and,

FIG. 8 is a back view of the invention.

**1 Claim, 2 Drawing Sheets**



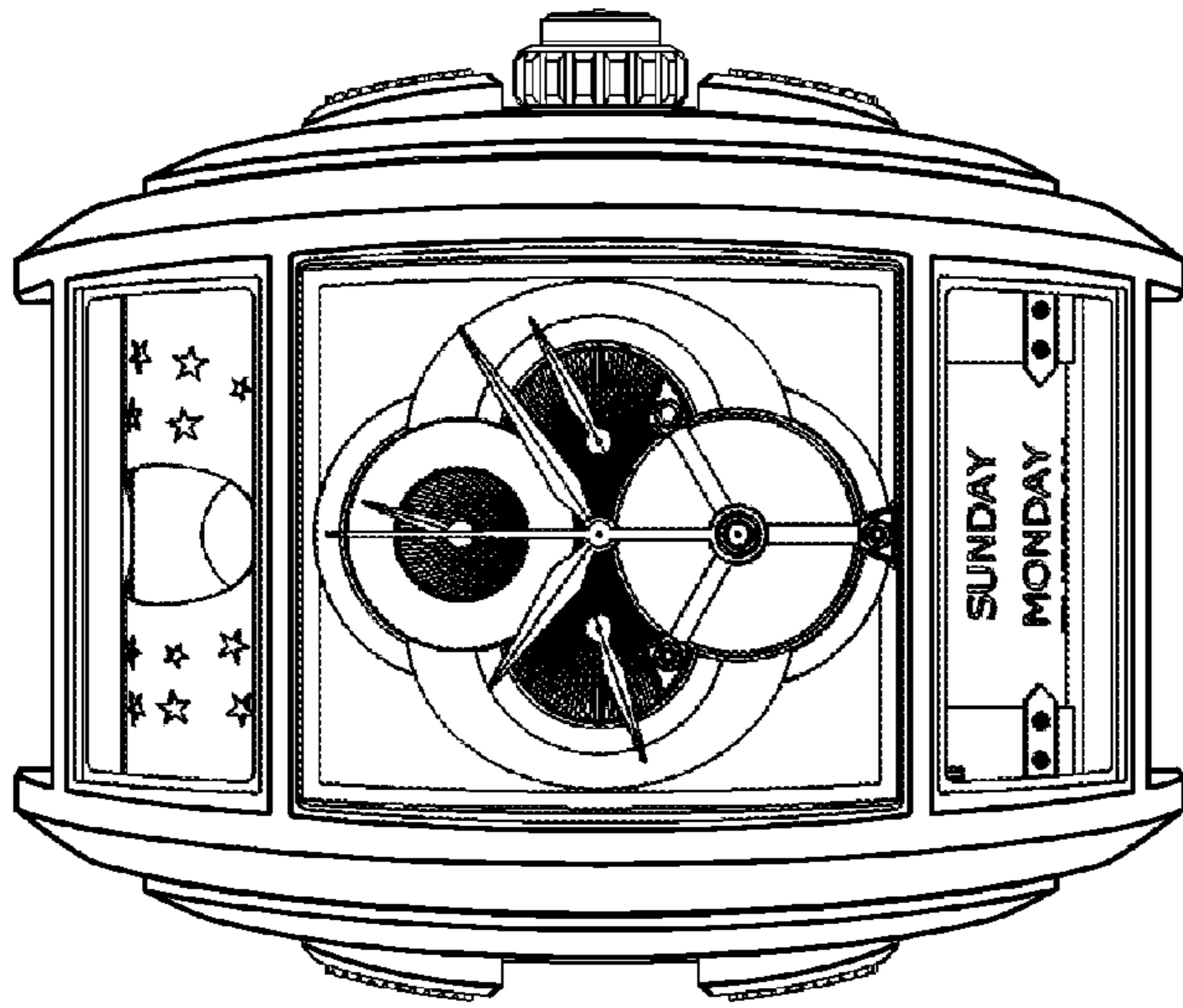


Fig. 2

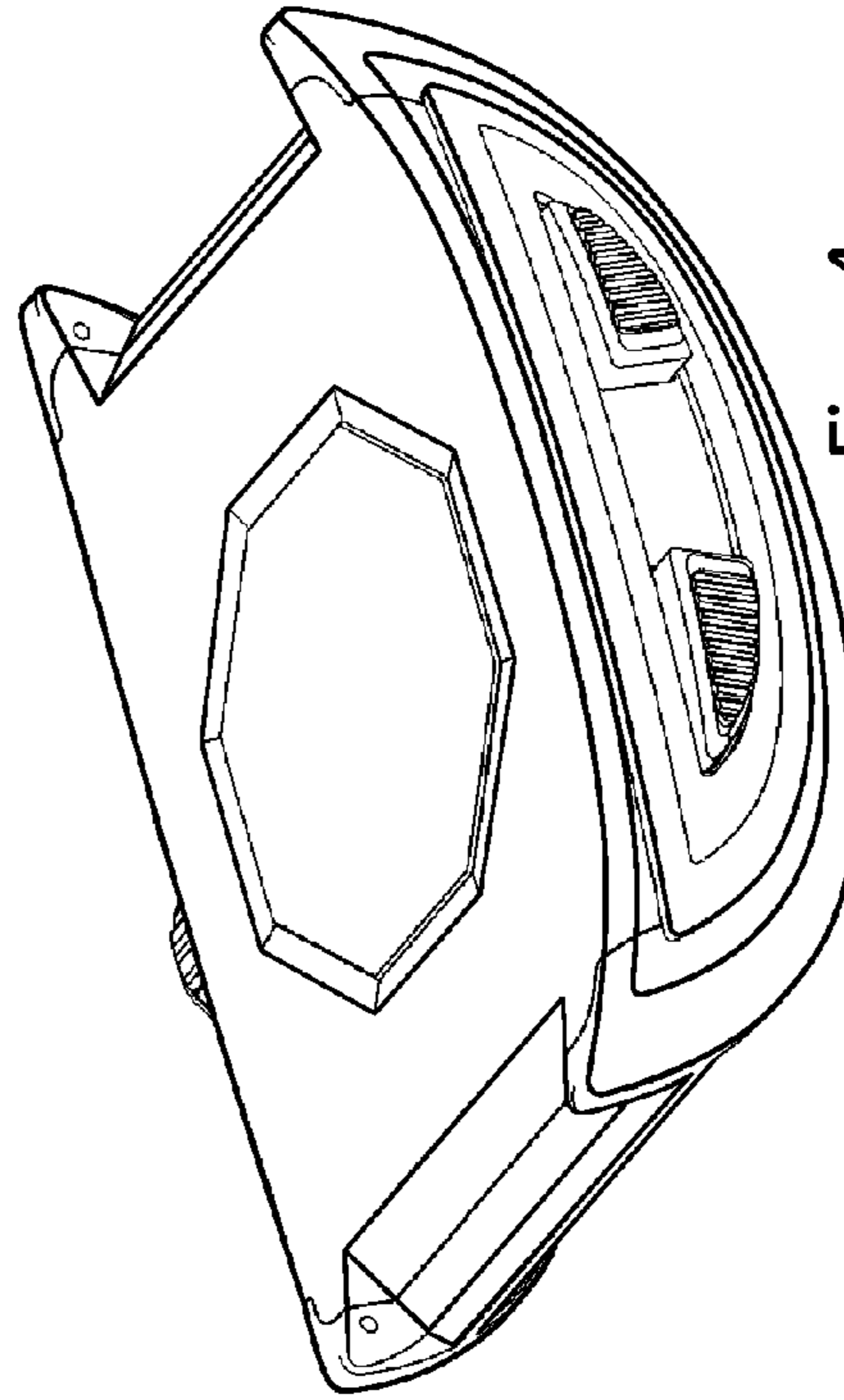


Fig. 4

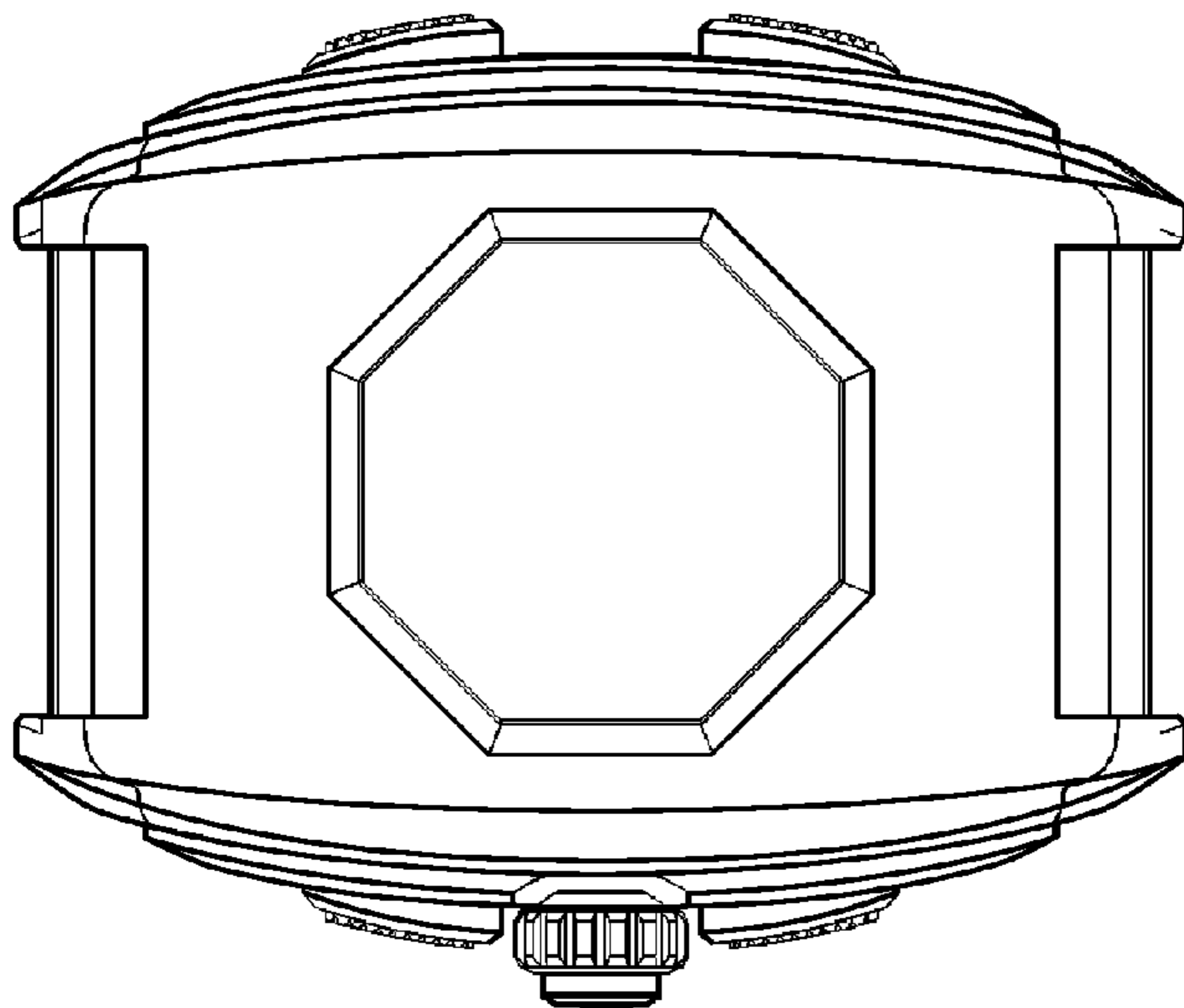


Fig. 1

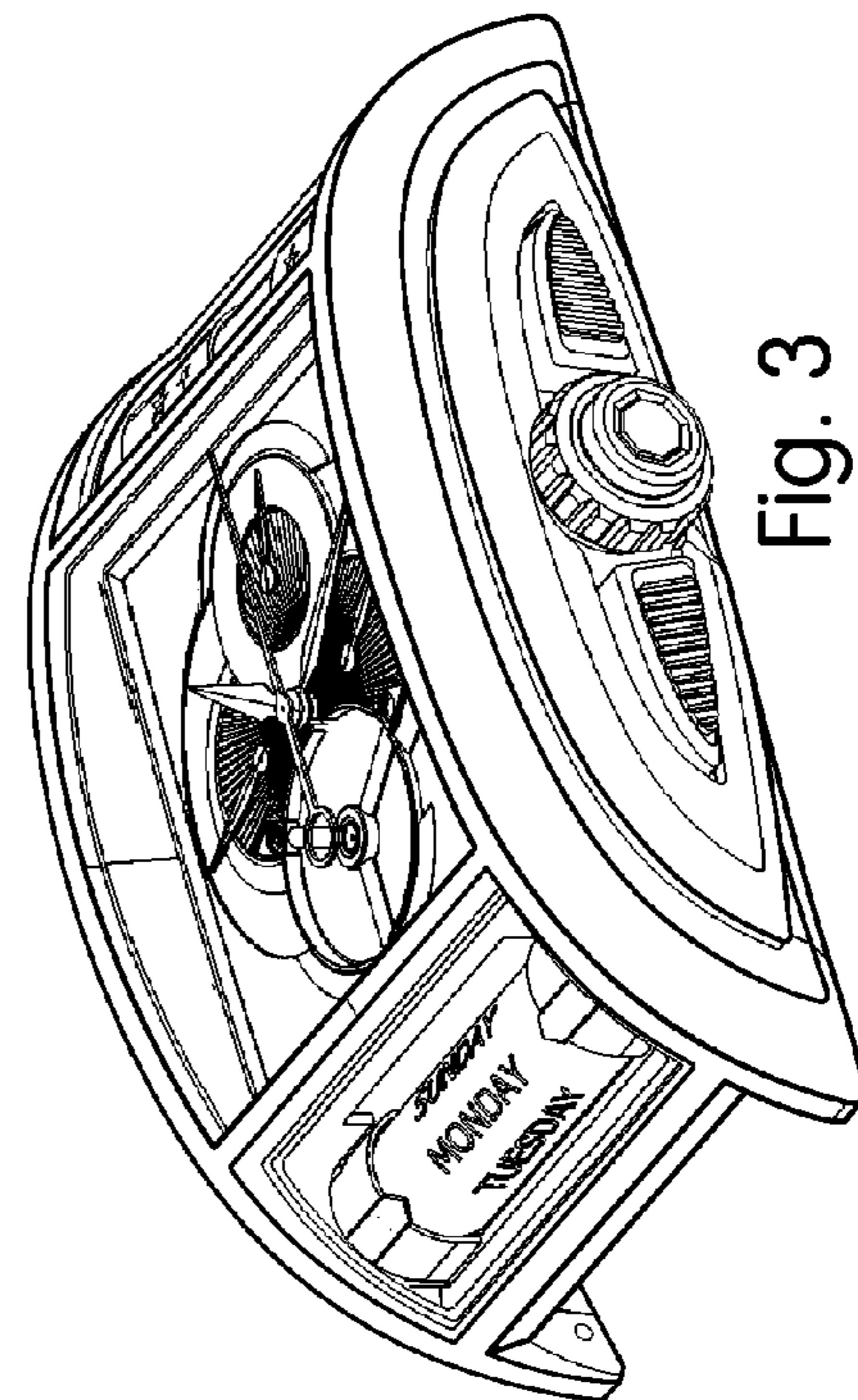


Fig. 3

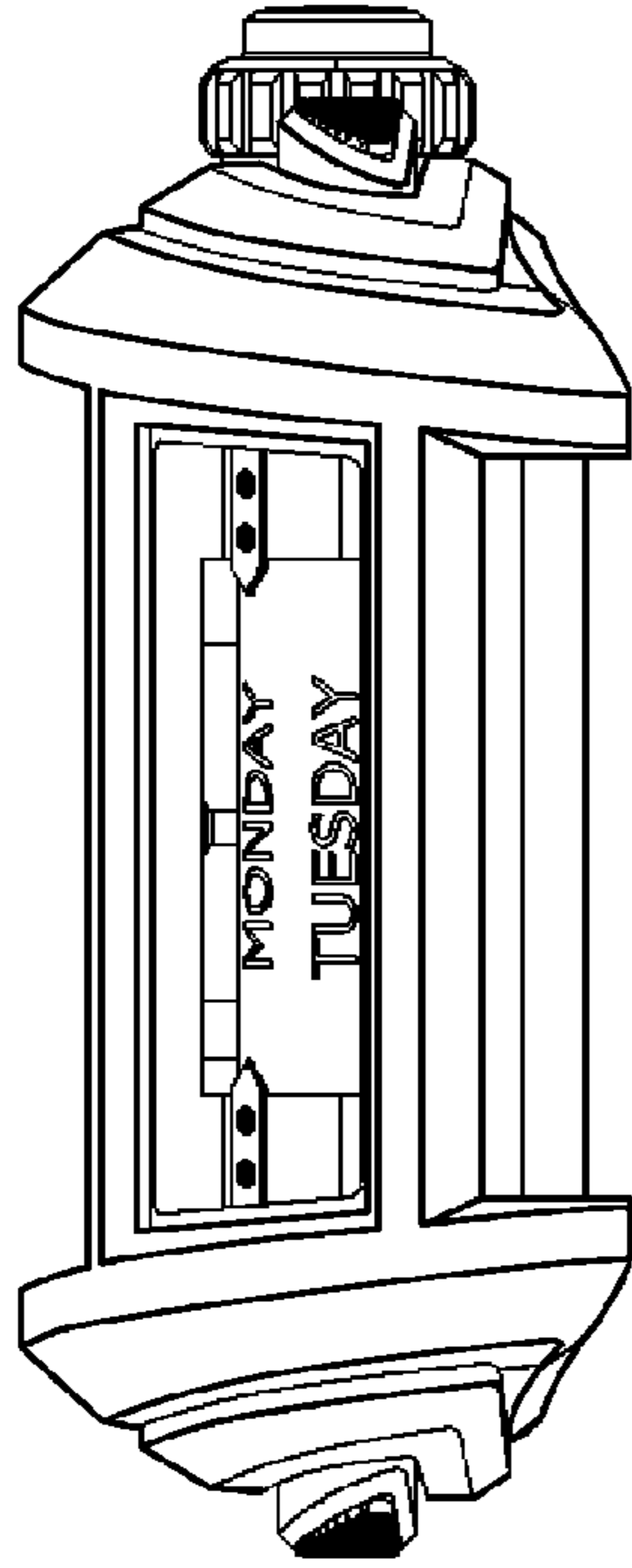


Fig. 6

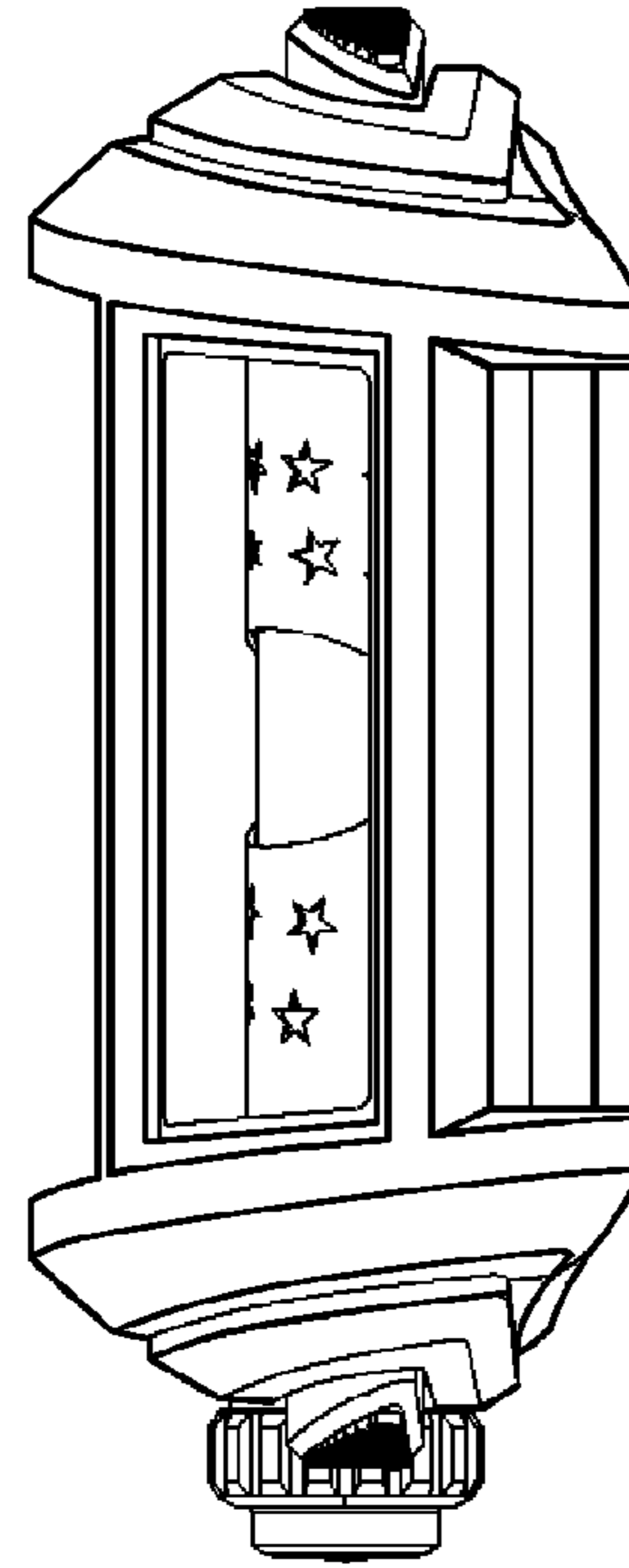


Fig. 8

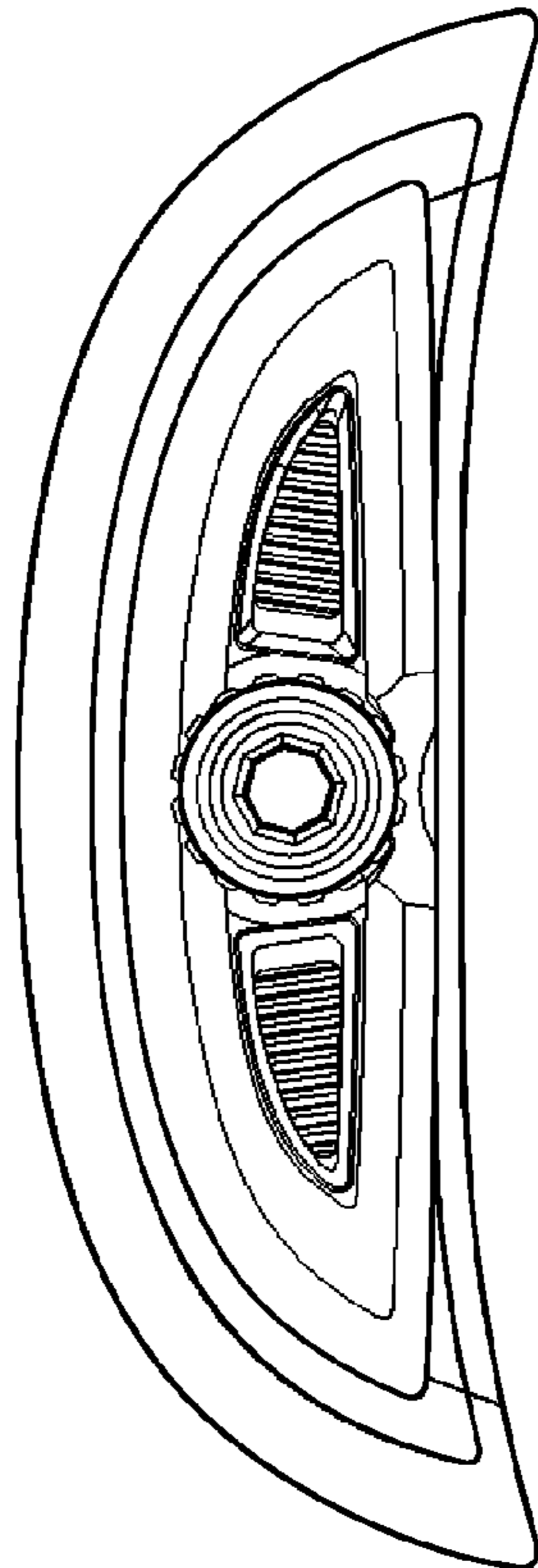


Fig. 5

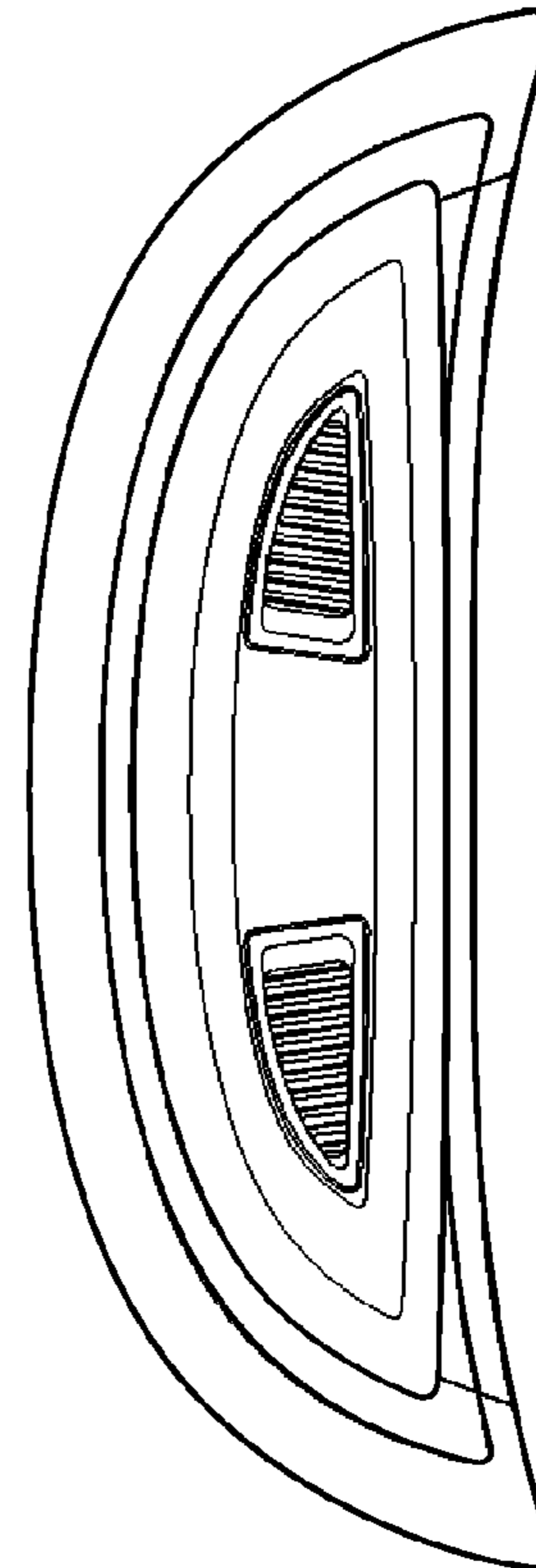


Fig. 7