



US00D590277S

(12) **United States Design Patent**  
**Wei**

(10) **Patent No.:** **US D590,277 S**

(45) **Date of Patent:** **\*\* Apr. 14, 2009**

(54) **WATCH CASE**

(75) **Inventor:** **Yang Li Wei**, Dongzhu Town (CN)

(73) **Assignee:** **New Heritage Ltd.**, Hong Kong (HK)

(\*\*) **Term:** **14 Years**

(21) **Appl. No.:** **29/279,332**

(22) **Filed:** **Apr. 27, 2007**

(51) **LOC (9) Cl.** ..... **10-02**

(52) **U.S. Cl.** ..... **D10/38**

(58) **Field of Classification Search** ..... D10/30-39;  
368/276, 281, 282, 285, 308, 288

See application file for complete search history.

*Primary Examiner*—Lucy Lieberman

(74) *Attorney, Agent, or Firm*—Galbreath Law Offices, P.C.;  
John A. Galbreath

(57) **CLAIM**

The ornamental design for a watch case, as shown and described.

**DESCRIPTION**

FIG. 1 is a perspective view of the invention;

FIG. 2 is a top view of the invention;

FIG. 3 is a bottom view of the invention;

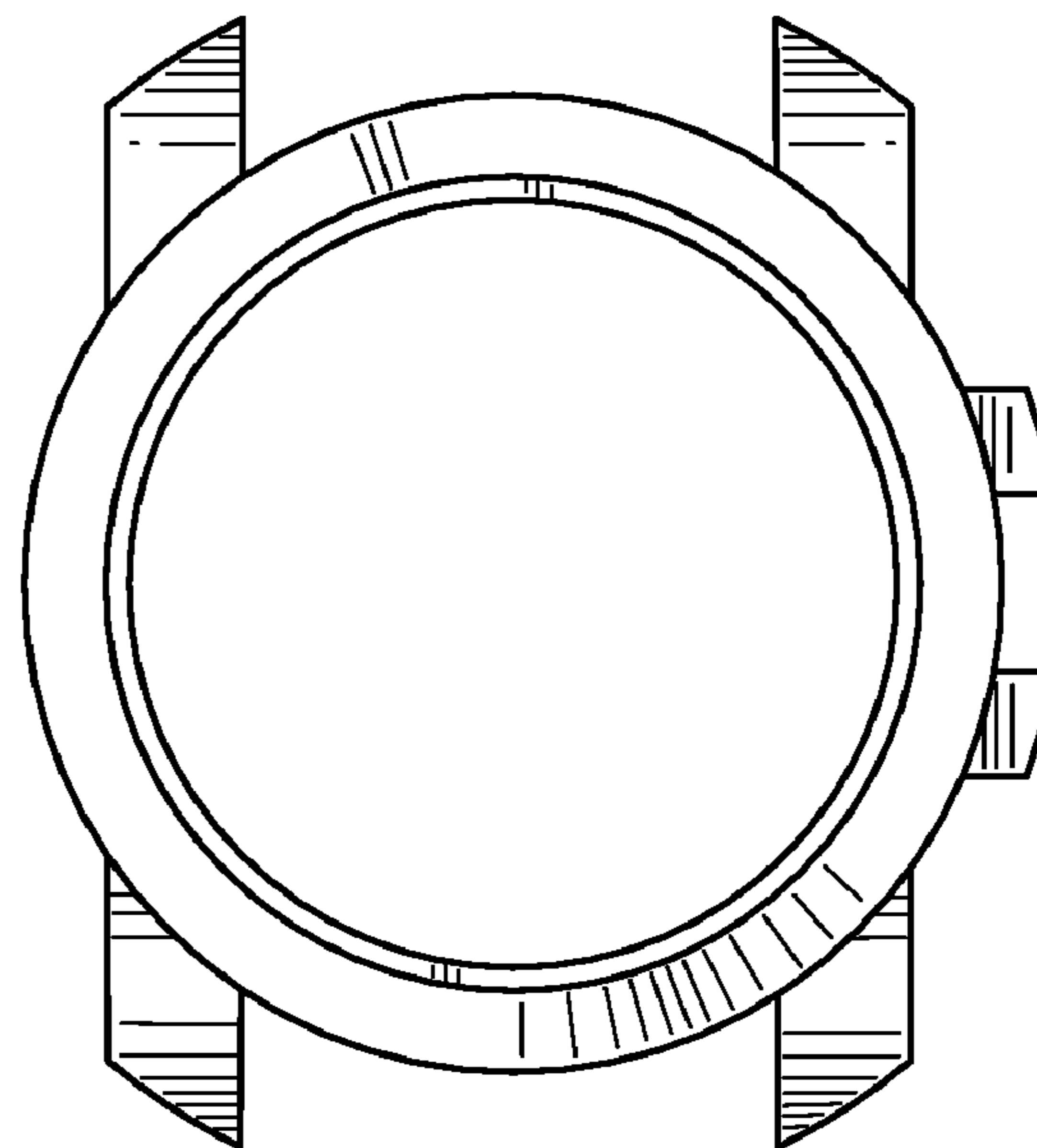
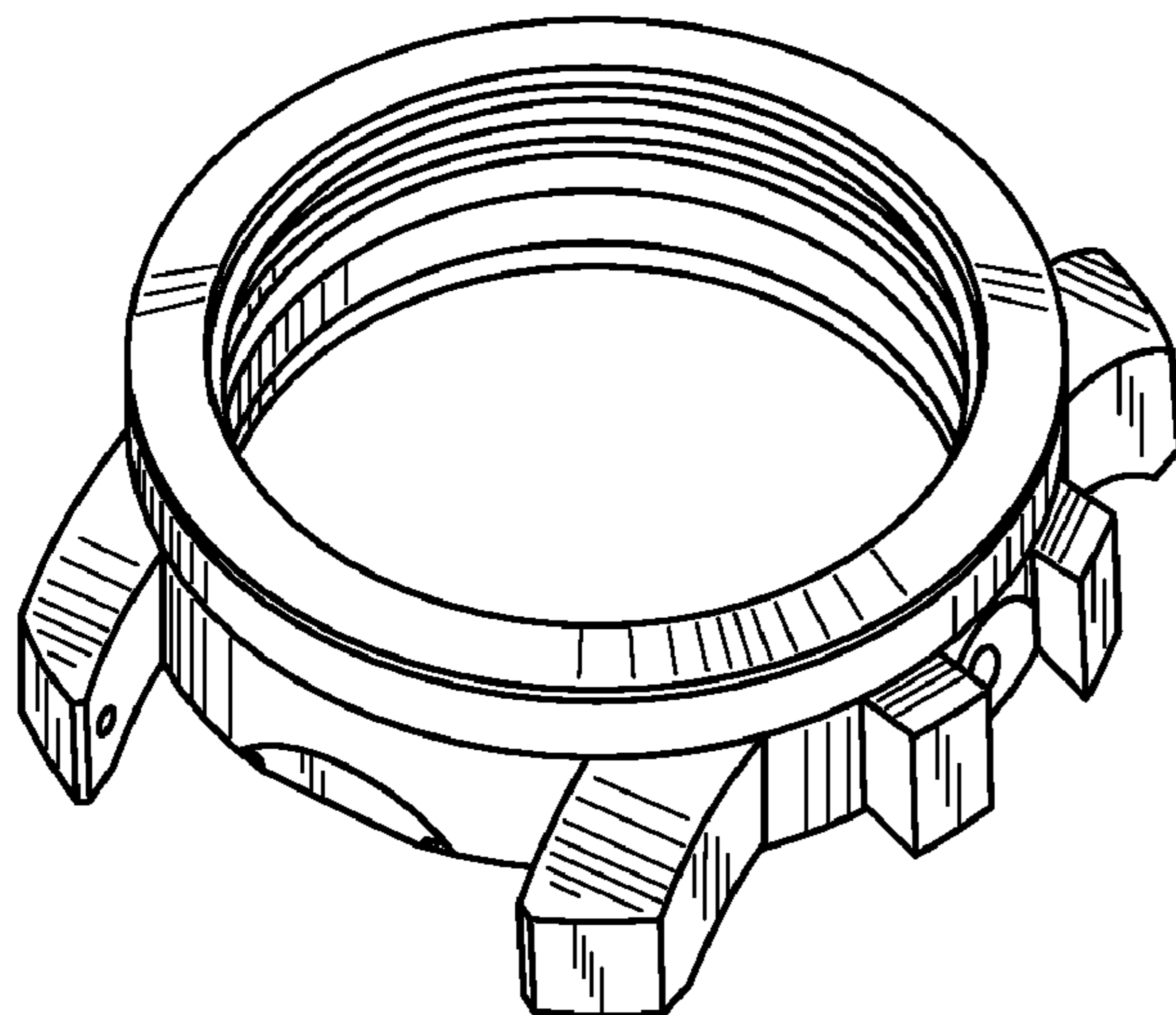
FIG. 4 is a front view of the invention;

FIG. 5 is a back view of the invention, with the watch case inverted;

FIG. 6 is a side view of the invention, showing the side that will contain the mechanism used to set the time; and,

FIG. 7 is another side view of the invention, showing the side opposite that shown in FIG. 6.

**1 Claim, 2 Drawing Sheets**



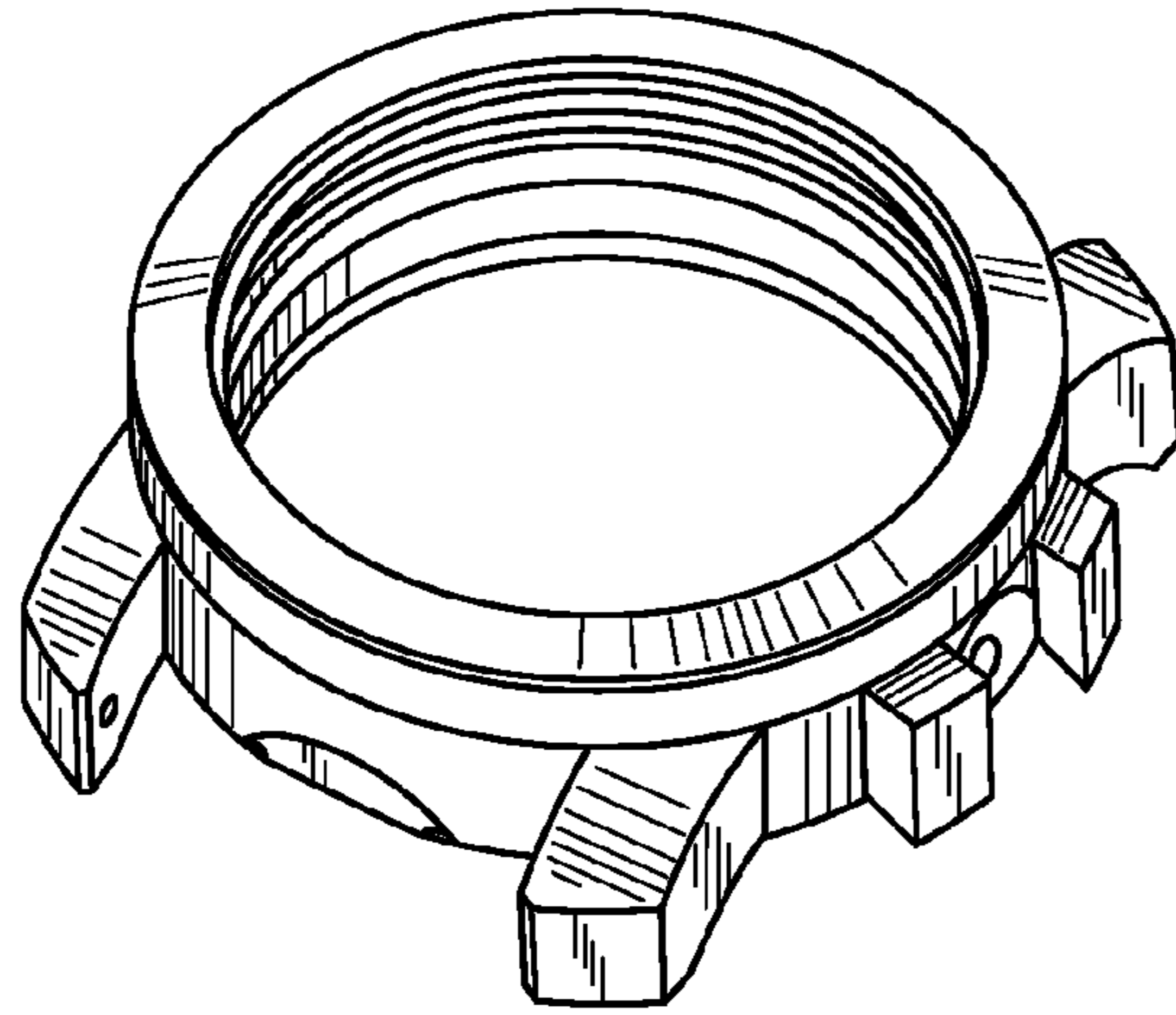


Fig. 1

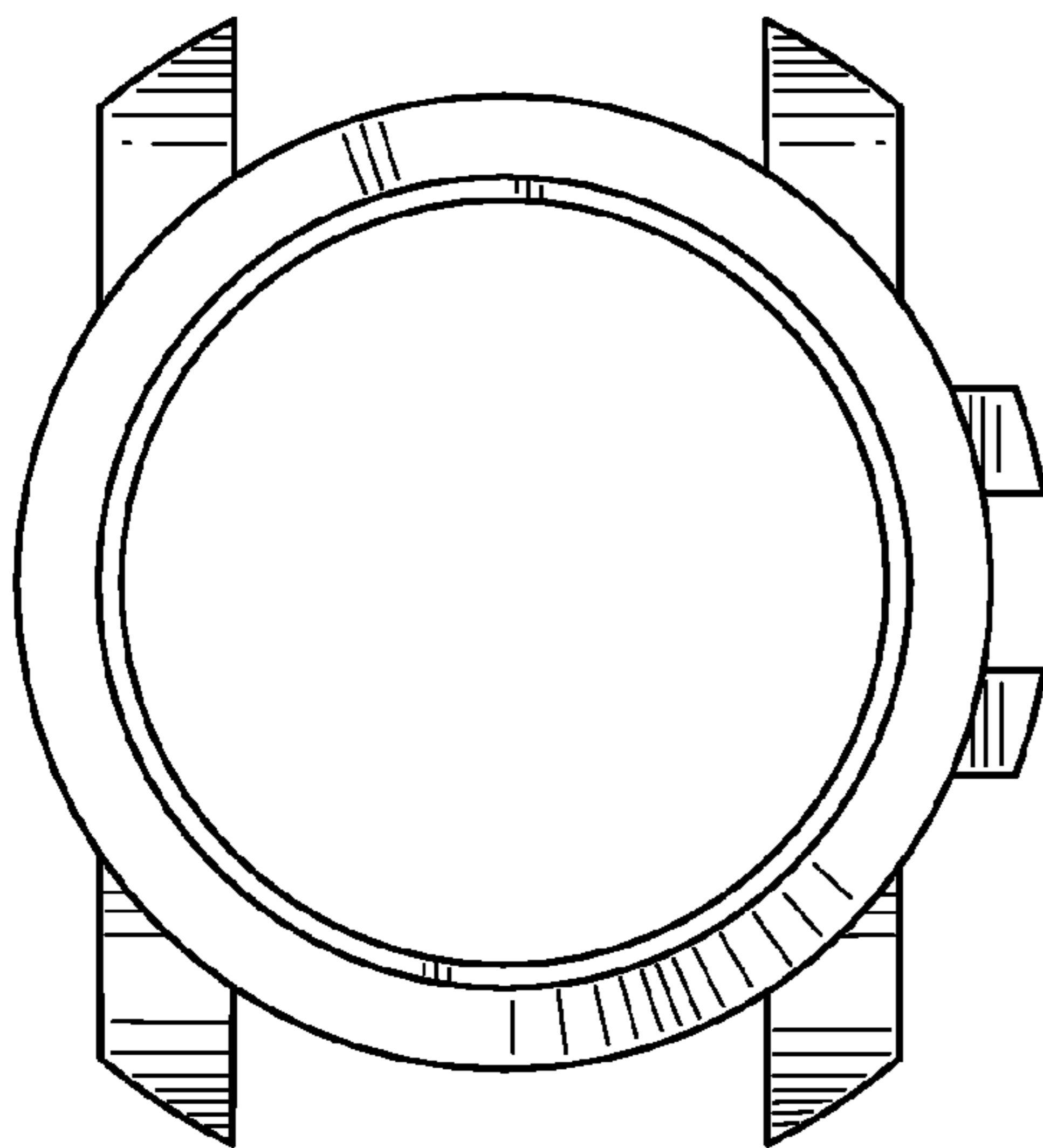


Fig. 2

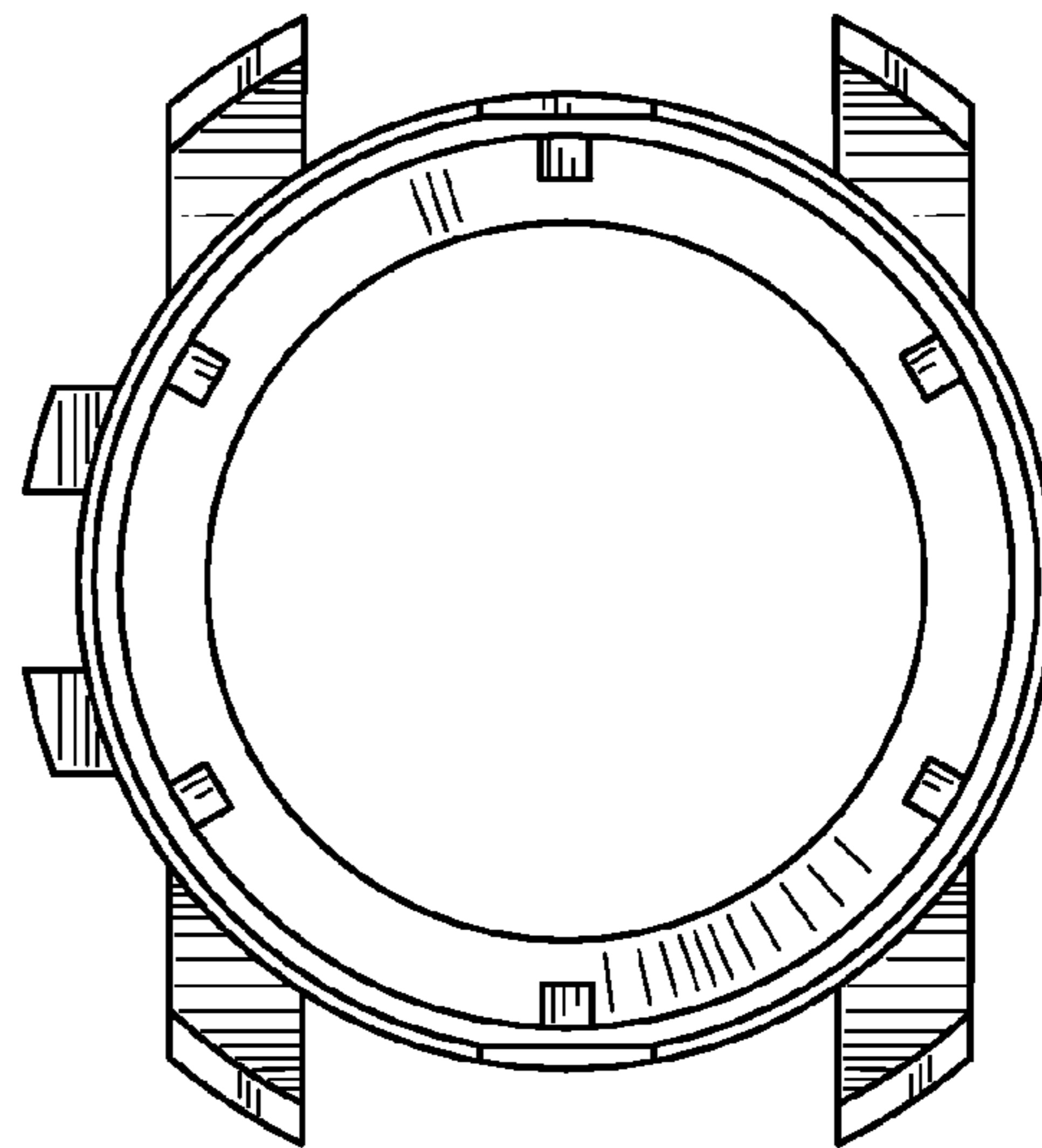


Fig. 3

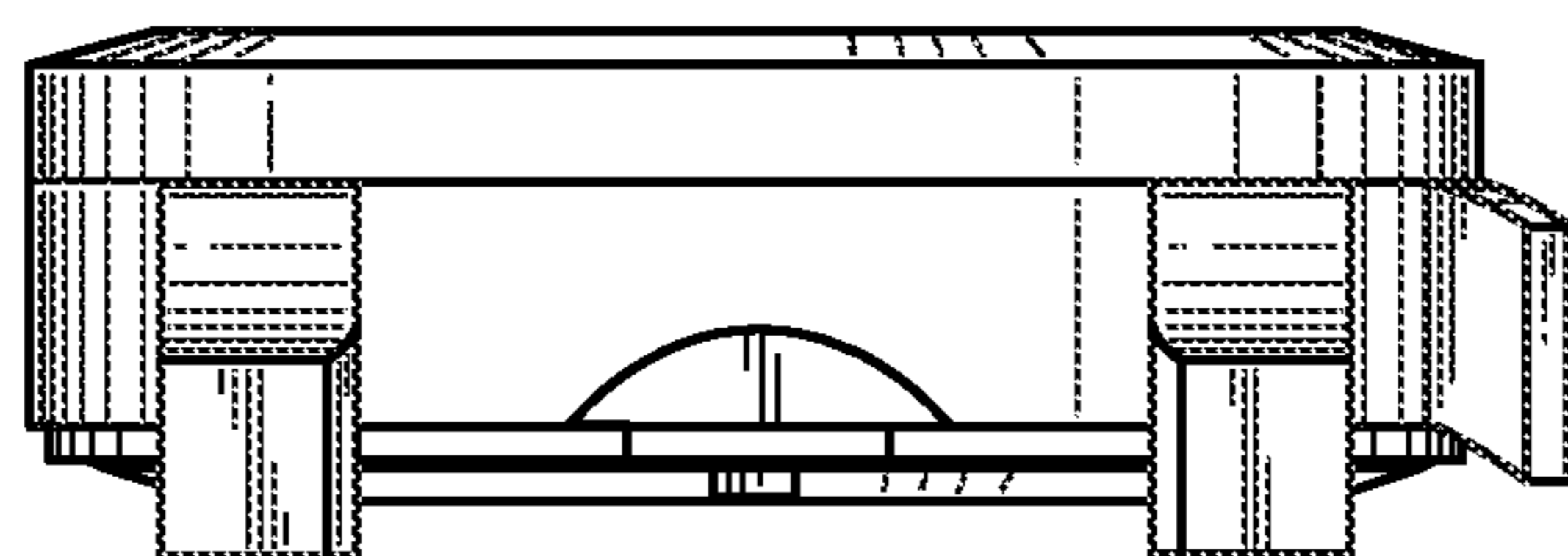


Fig. 4

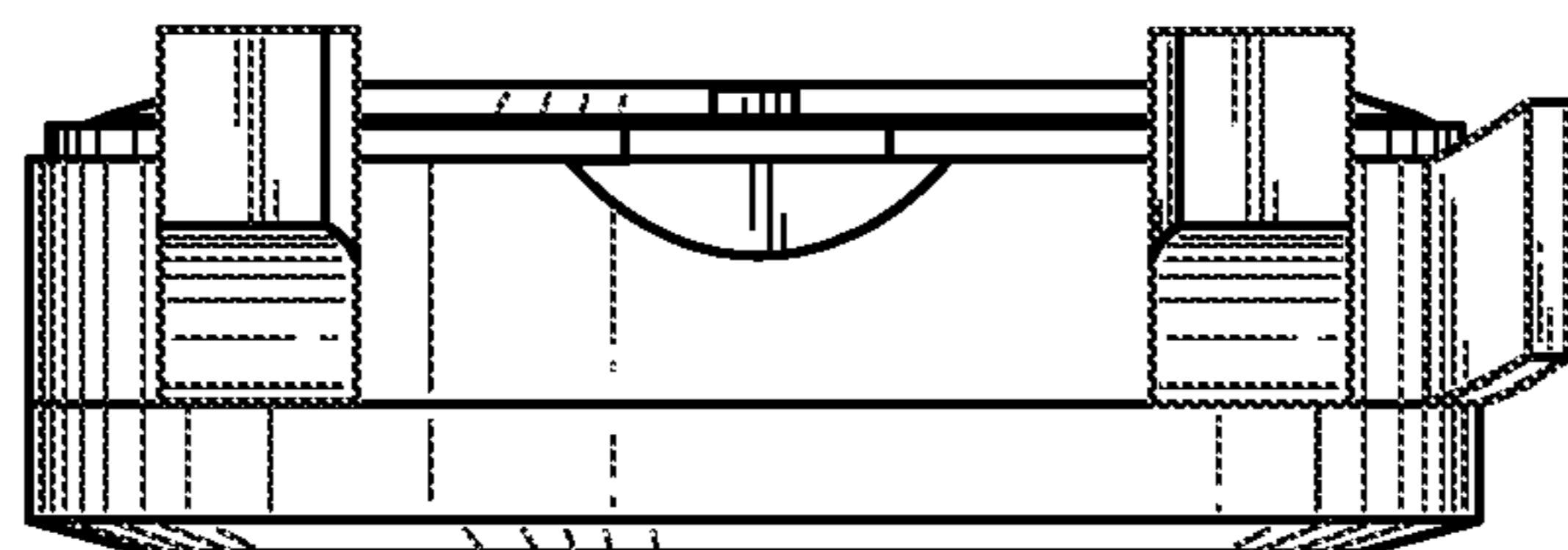


Fig. 5

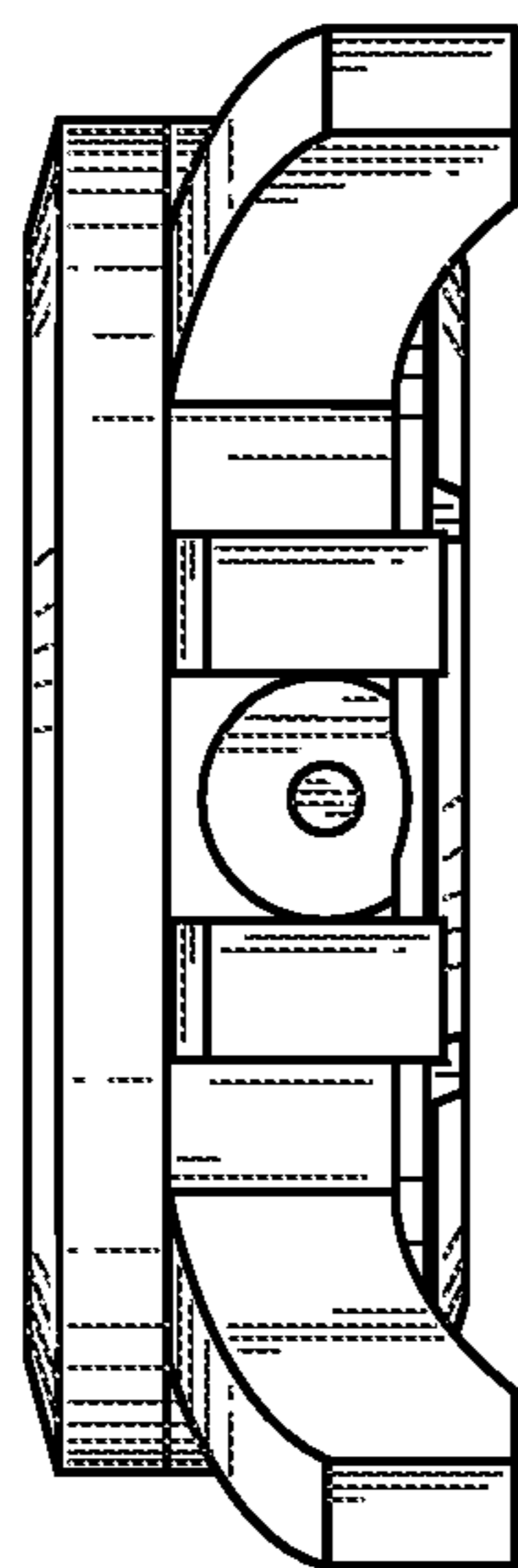


Fig. 6

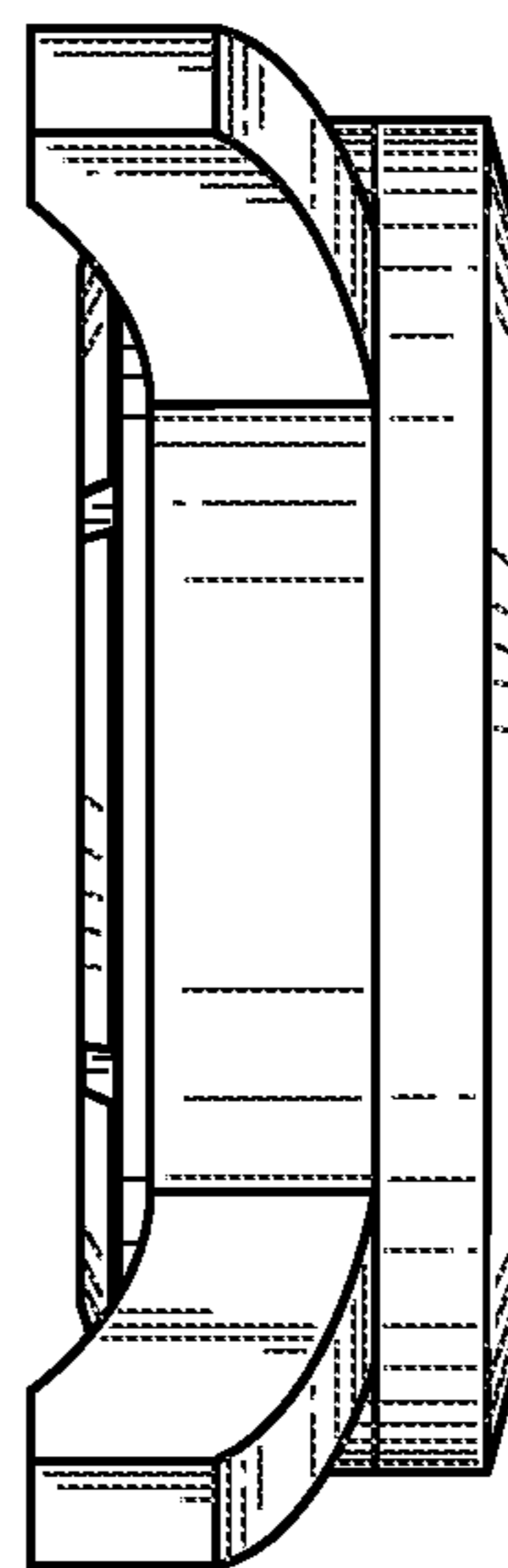


Fig. 7