



US00D590273S

(12) **United States Design Patent**
Petersen

(10) **Patent No.:** **US D590,273 S**
(45) **Date of Patent:** **** Apr. 14, 2009**

(54) **ALARM CLOCK**

(57) **CLAIM**

(75) Inventor: **Christopher M. Petersen**, Milford, NH
(US)

The ornamental design for an alarm clock, as shown and described.

(73) Assignee: **Brookstone Purchasing, Inc.**,
Merrimack, NH (US)

DESCRIPTION

(**) Term: **14 Years**

(21) Appl. No.: **29/312,391**

(22) Filed: **Oct. 17, 2008**

(51) **LOC (9) Cl.** **10-01**

(52) **U.S. Cl.** **D10/15**

(58) **Field of Classification Search** D10/1-29;
D14/171; 368/73, 250-260, 276, 82, 223
See application file for complete search history.

(56) **References Cited**

U.S. PATENT DOCUMENTS

D245,419	S	*	8/1977	Miyamoto	D14/171
4,060,972	A	*	12/1977	Kimura et al.	368/73
D249,651	S	*	9/1978	Hirosawa	D10/15
D250,762	S	*	1/1979	Kawano	D14/171
D261,237	S	*	10/1981	Haufe	D10/15
5,402,396	A	*	3/1995	Jones, Jr.	368/250
D378,495	S	*	3/1997	Gillespie	D10/1
5,883,859	A	*	3/1999	Bentley	368/10
D409,499	S	*	5/1999	Hargrove, III	D10/15
5,926,442	A	*	7/1999	Sirhan et al.	368/73
5,995,455	A	*	11/1999	Kutosky	368/73
D437,238	S	*	2/2001	Sell	D10/15
D452,490	S	*	12/2001	Shintani	D14/171
D464,036	S	*	10/2002	Matsuoka	D14/171
D468,719	S	*	1/2003	Cuvelier	D14/171
D475,301	S	*	6/2003	Kiu	D10/15
D481,958	S	*	11/2003	Kibiloski et al.	D10/15

* cited by examiner

Primary Examiner—Lucy Lieberman

(74) *Attorney, Agent, or Firm*—Grossman, Tucker, Perreault
& Pflieger

FIG. 1 is a frontal perspective view of an alarm clock having a first alarm button and a second alarm button, wherein said first alarm button and said second alarm button is each in a down and off position.

FIG. 2 is a front elevation view thereof, wherein said first alarm button and said second alarm button is each in said down and off position.

FIG. 3 is a rear elevation view thereof, said first alarm button and said second alarm button is each in said down and off position.

FIG. 4 is a left side elevation thereof;

FIG. 5 is a right side elevation thereof;

FIG. 6 is a top plan view thereof, said first alarm button and said second alarm button is each in said down and off position.

FIG. 7 is a bottom plan view thereof.

FIG. 8 is a front elevation view including a clock display of said alarm clock, wherein said first alarm button and said second alarm button is each in said down and off position.

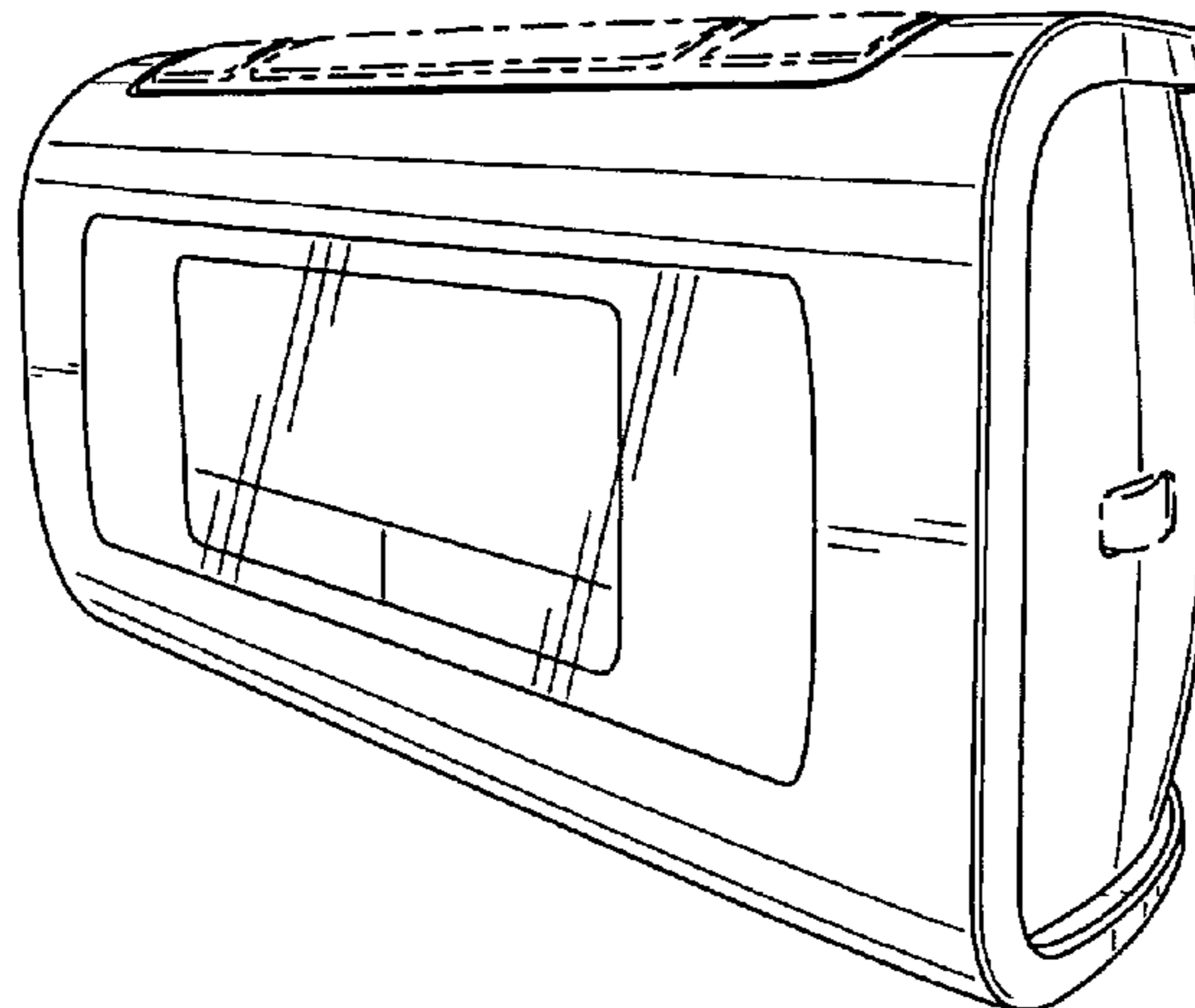
FIG. 9 is a front elevation view thereof, wherein said first alarm button and said second alarm button is each in an up and on position.

FIG. 10 is a front elevation view thereof, wherein said first alarm button is in said up and on position and said second alarm button is in said down and off position; and,

FIG. 11 is a front elevation view thereof, wherein said first alarm button is in said down and off position and said second alarm button is in said up and on position.

The broken lines shown on the drawings are for illustrative purposes only and form no part of the claimed design.

1 Claim, 6 Drawing Sheets



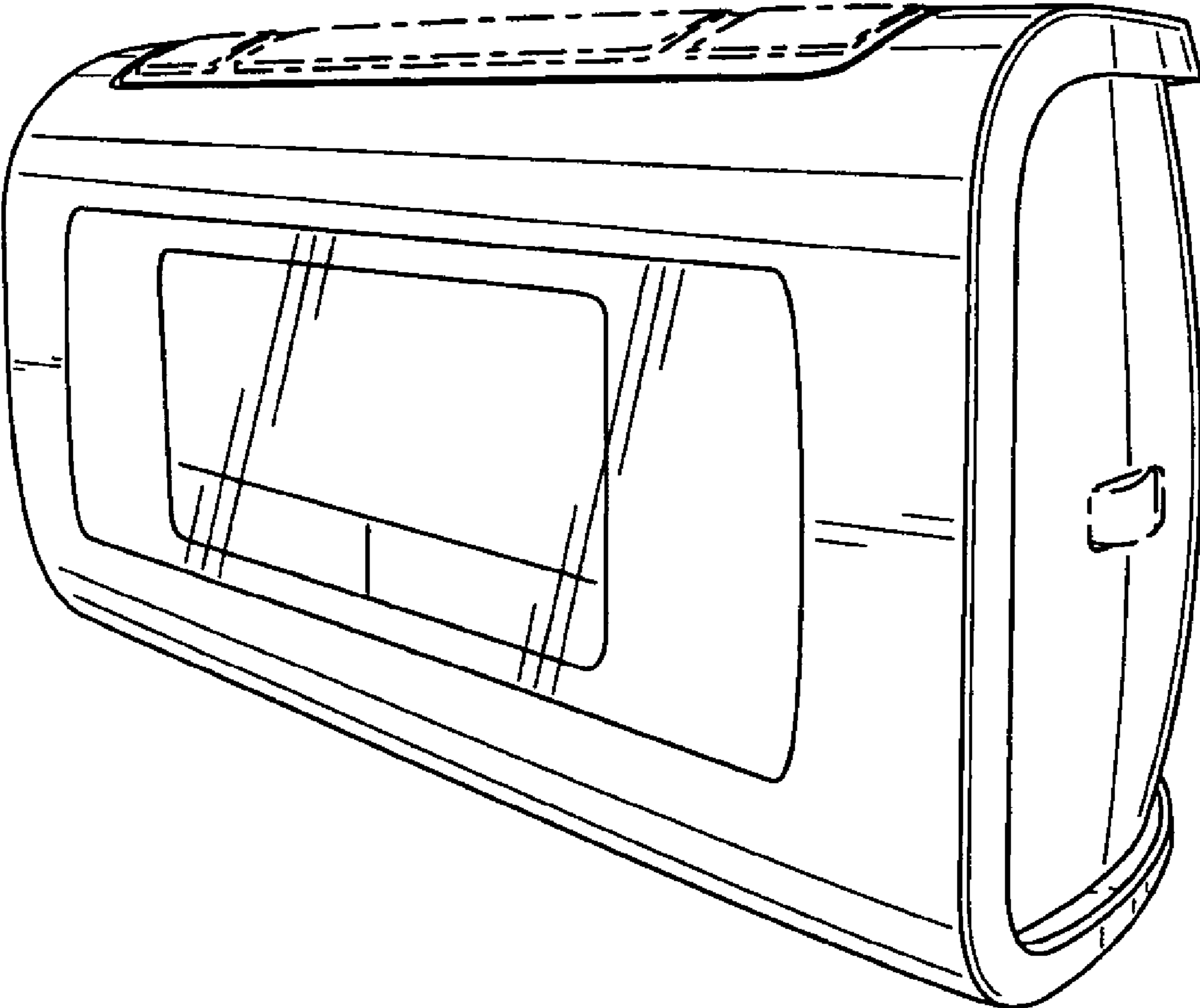


FIG. 1

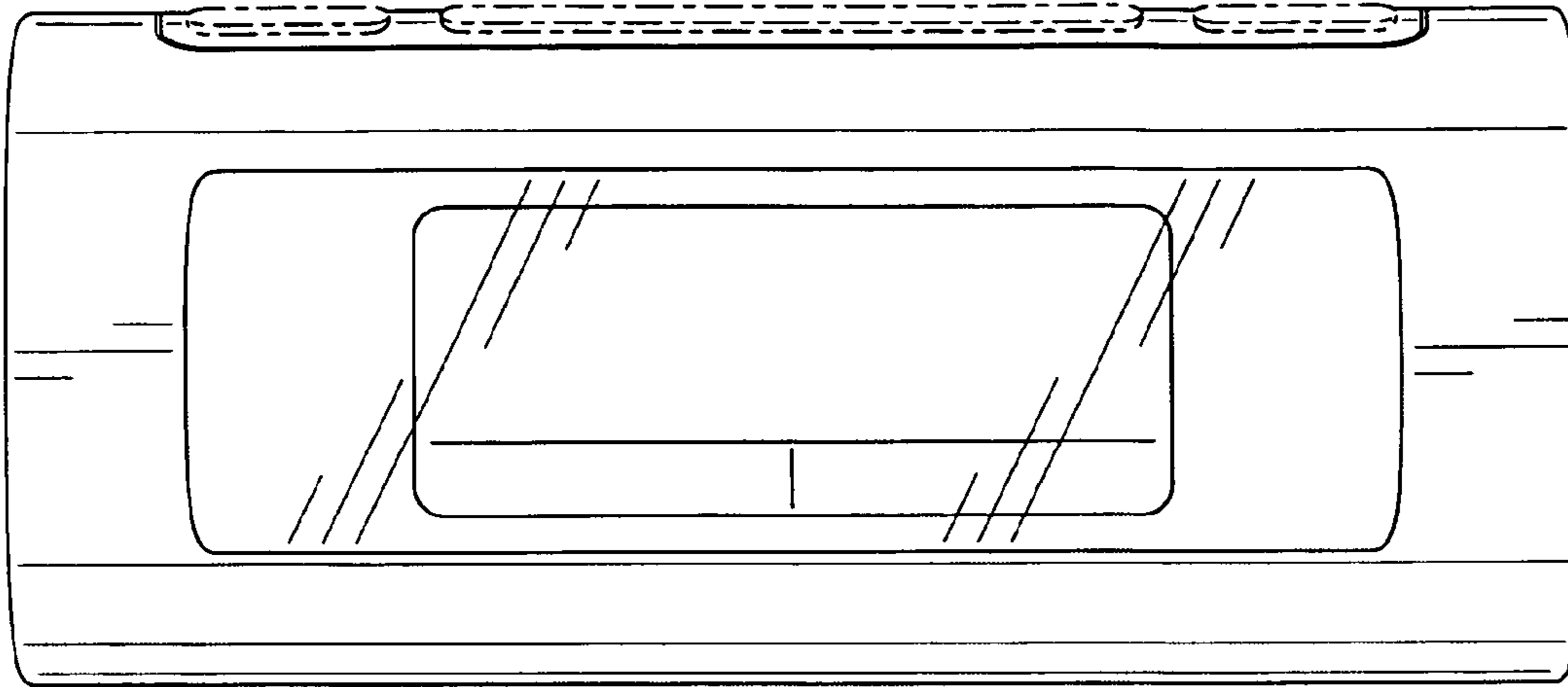


FIG. 2

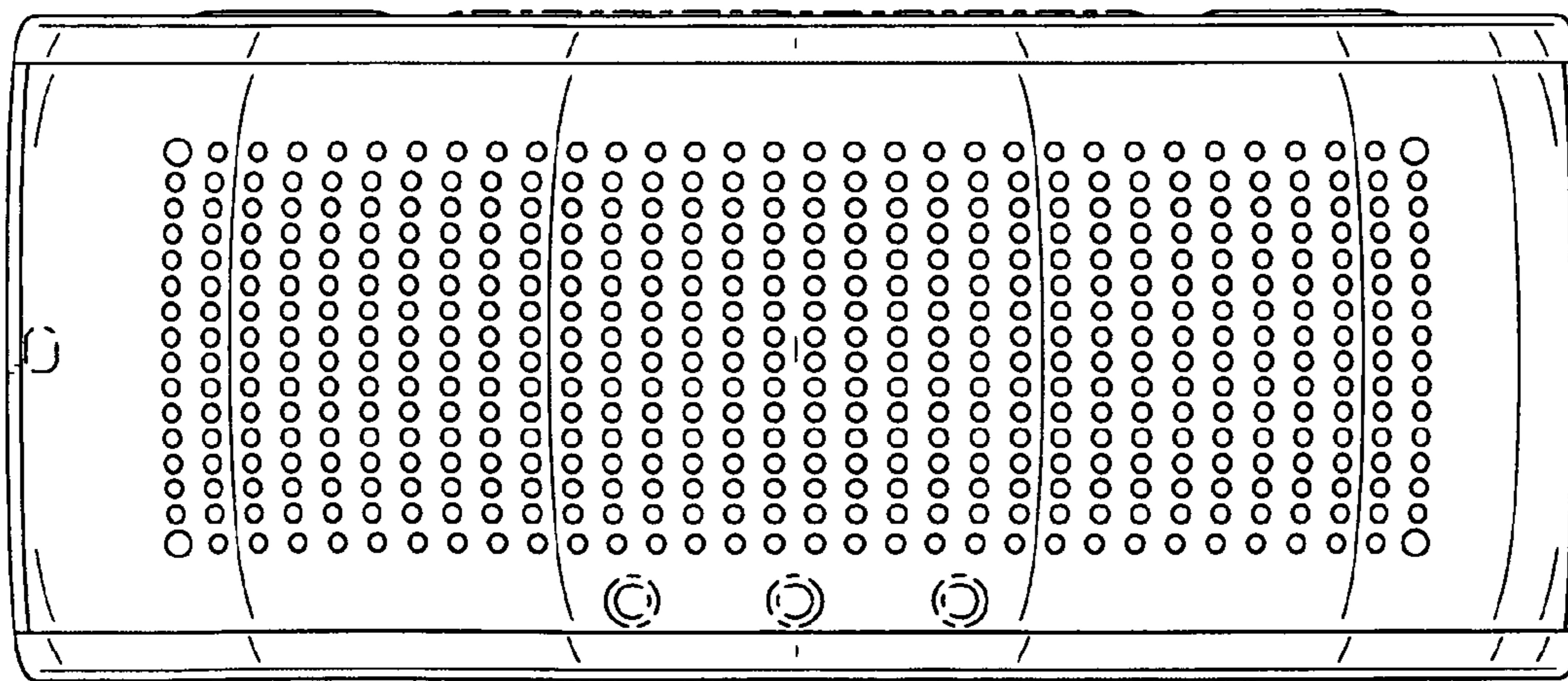


FIG. 3

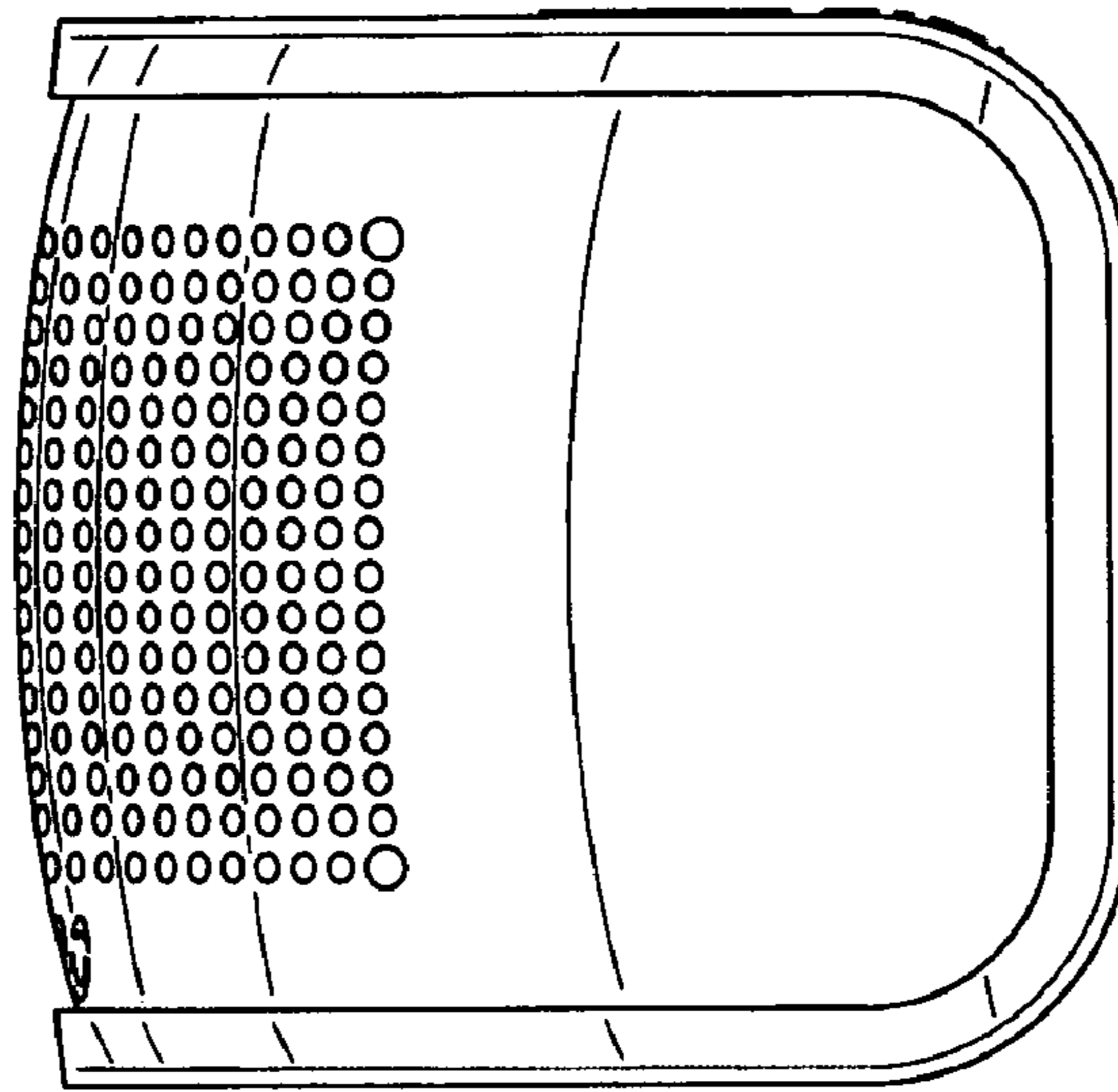


FIG. 4

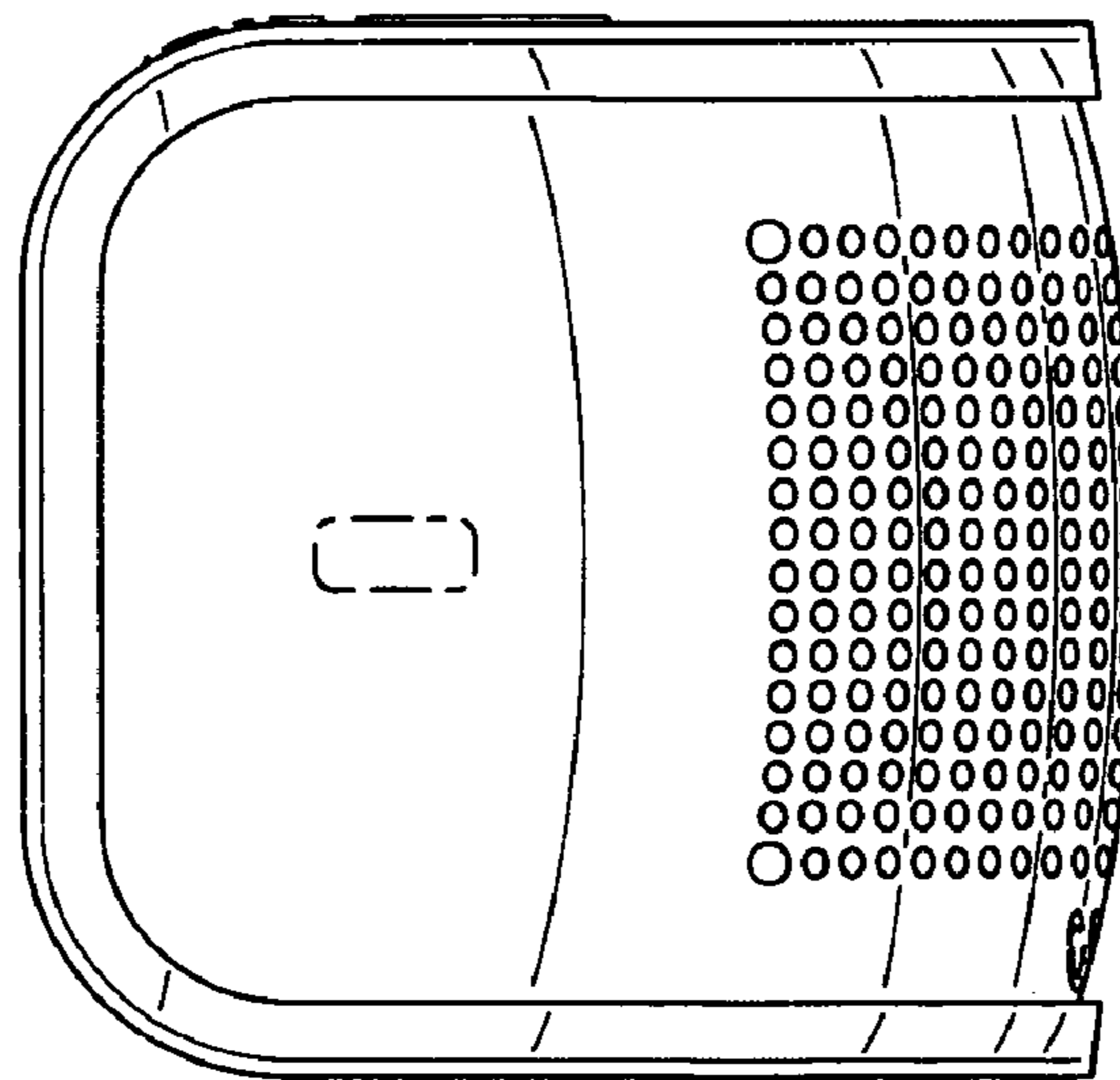


FIG. 5

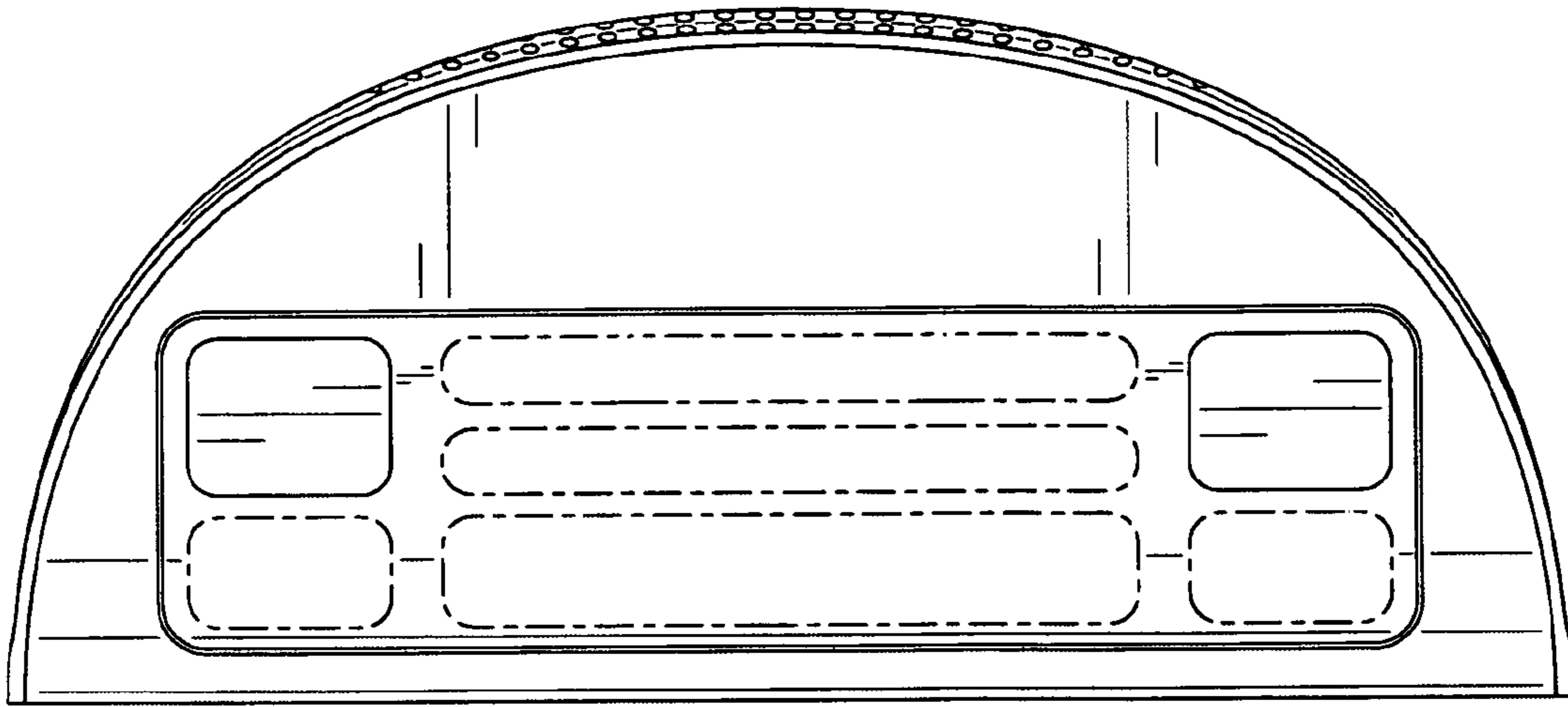


FIG. 6

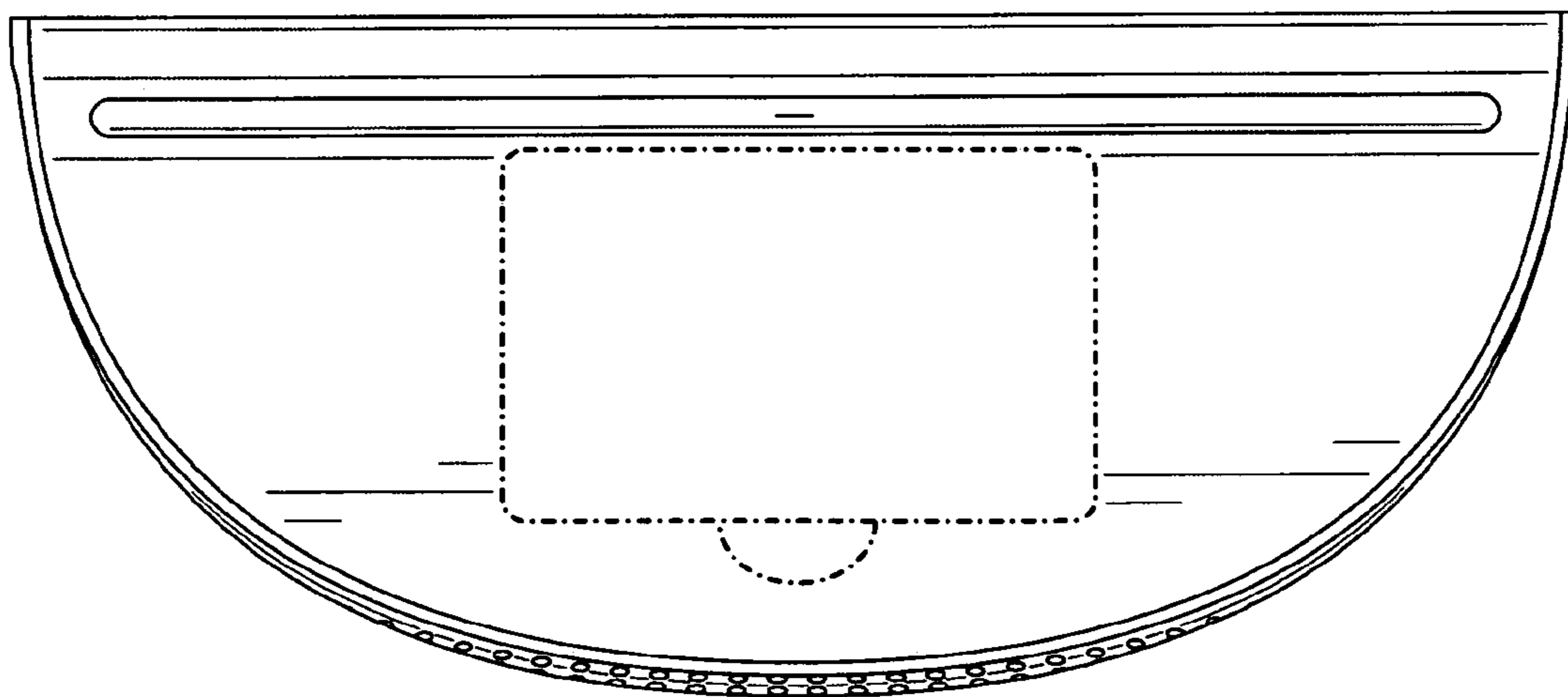


FIG. 7

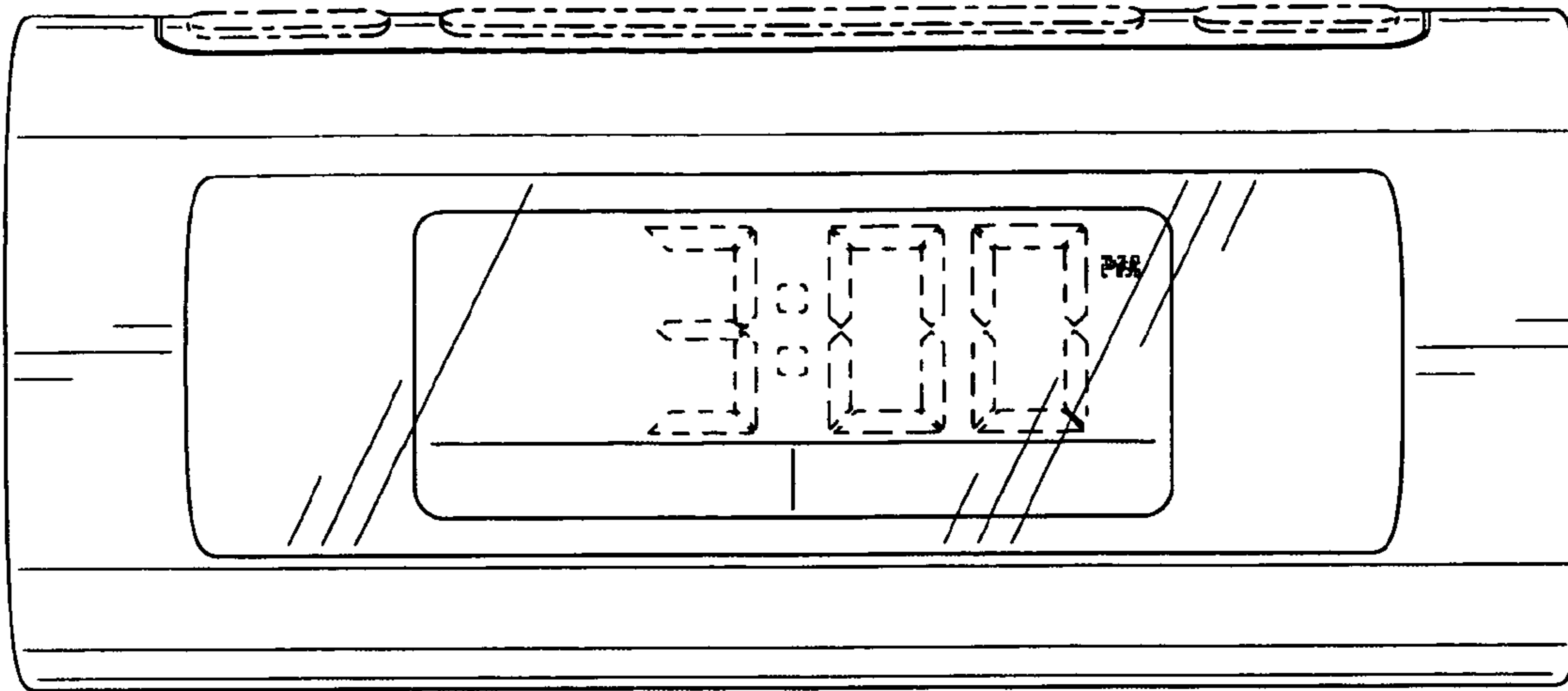


FIG. 8

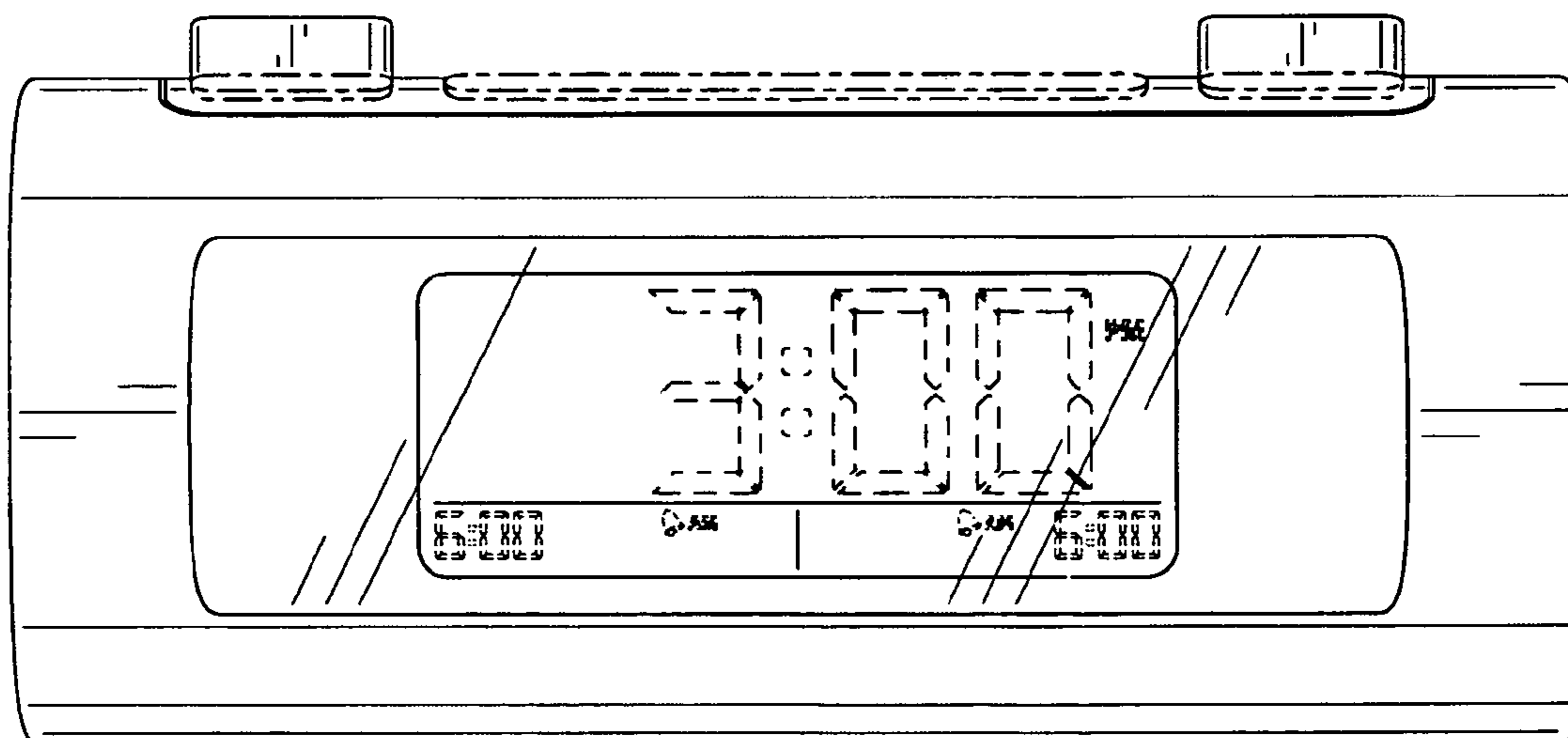


FIG. 9

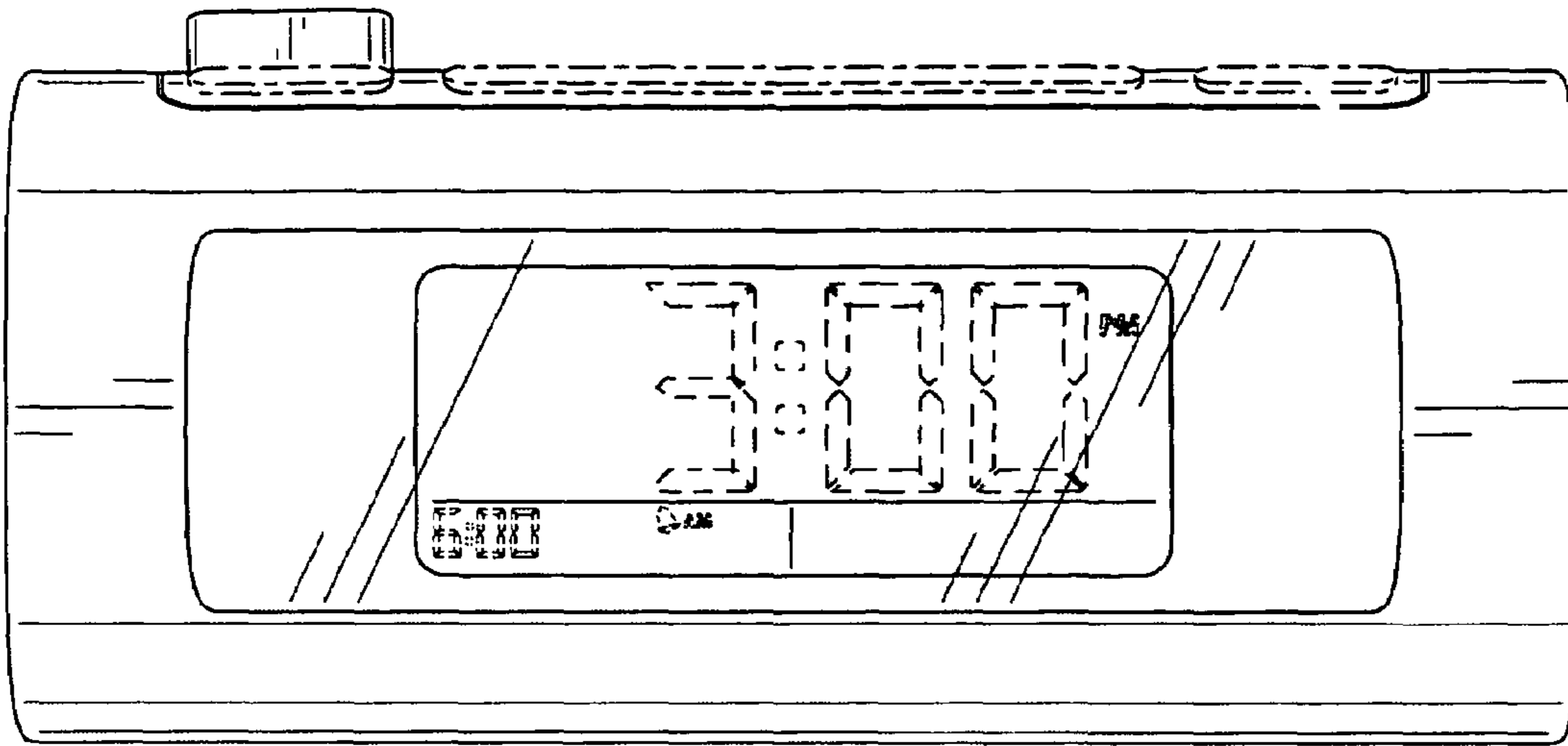


FIG. 10

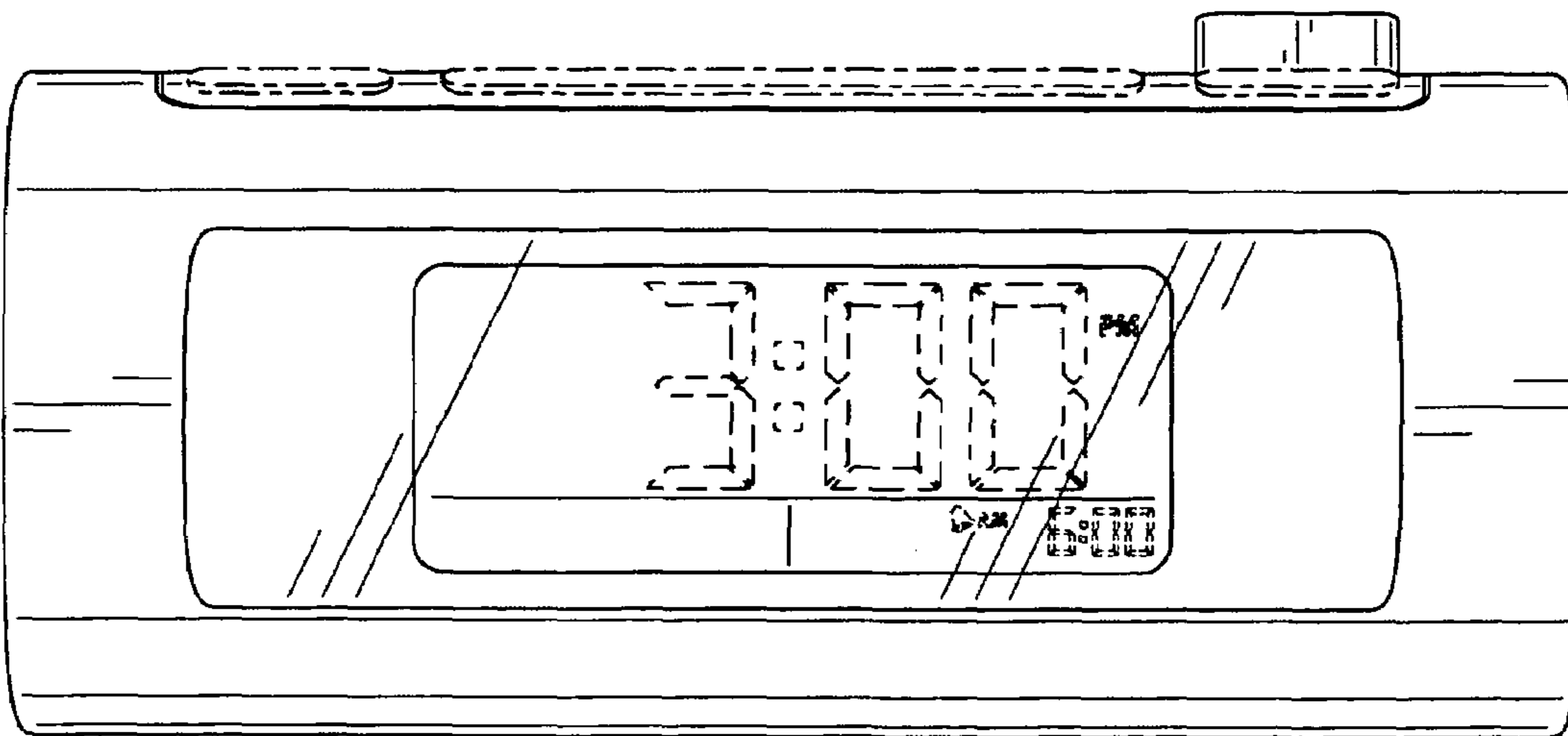


FIG. 11