



US00D590272S

(12) **United States Design Patent**  
**Abolfazlian**

(10) **Patent No.:** **US D590,272 S**  
(45) **Date of Patent:** **\*\* Apr. 14, 2009**

- (54) **CAN**
- (75) Inventor: **Mazyar Abolfazlian**, Arhus C (DK)
- (73) Assignee: **Glud & Marstrand A/S**, Losning (DK)
- (\*\*) Term: **14 Years**
- (21) Appl. No.: **29/301,489**
- (22) Filed: **Mar. 4, 2008**
- (51) **LOC (9) Cl.** ..... **09-03**
- (52) **U.S. Cl.** ..... **D9/772**
- (58) **Field of Classification Search** ..... D9/428,  
D9/500-504, 763, 772, 776-781; D7/601;  
D28/4, 9, 76, 82, 91; 215/235, 542, 321,  
215/581, 823; 220/4.27, 297, 521, 784, 789  
See application file for complete search history.

(56) **References Cited**  
U.S. PATENT DOCUMENTS

4,098,421	A	*	7/1978	Foster	.....	215/321
4,165,815	A	*	8/1979	Vetter	.....	220/4.27
D352,896	S	*	11/1994	Jones	.....	D9/428
D494,474	S	*	8/2004	Houk et al.	.....	D9/504
D498,678	S	*	11/2004	Ames	.....	D9/529
D510,524	S	*	10/2005	Houk et al.	.....	D9/503
D512,636	S	*	12/2005	Pace	.....	D9/504

D513,386	S	*	1/2006	Pace et al.	.....	D9/504
D514,936	S	*	2/2006	Pace et al.	.....	D9/504
D515,426	S	*	2/2006	Pace et al.	.....	D9/504
D515,928	S	*	2/2006	Pace	.....	D9/504
D523,752	S	*	6/2006	Bried et al.	.....	D9/504
D531,036	S	*	10/2006	Bried et al.	.....	D9/504

\* cited by examiner

*Primary Examiner*—Stella M Reid

*Assistant Examiner*—Shanda C Hill

(74) *Attorney, Agent, or Firm*—Day Pitney LLP

(57) **CLAIM**

The ornamental design for a can, as shown and described.

**DESCRIPTION**

FIG. 1 is a front, top perspective view of a first embodiment of a can in accordance with the present design;

FIG. 2 is a side perspective view thereof;

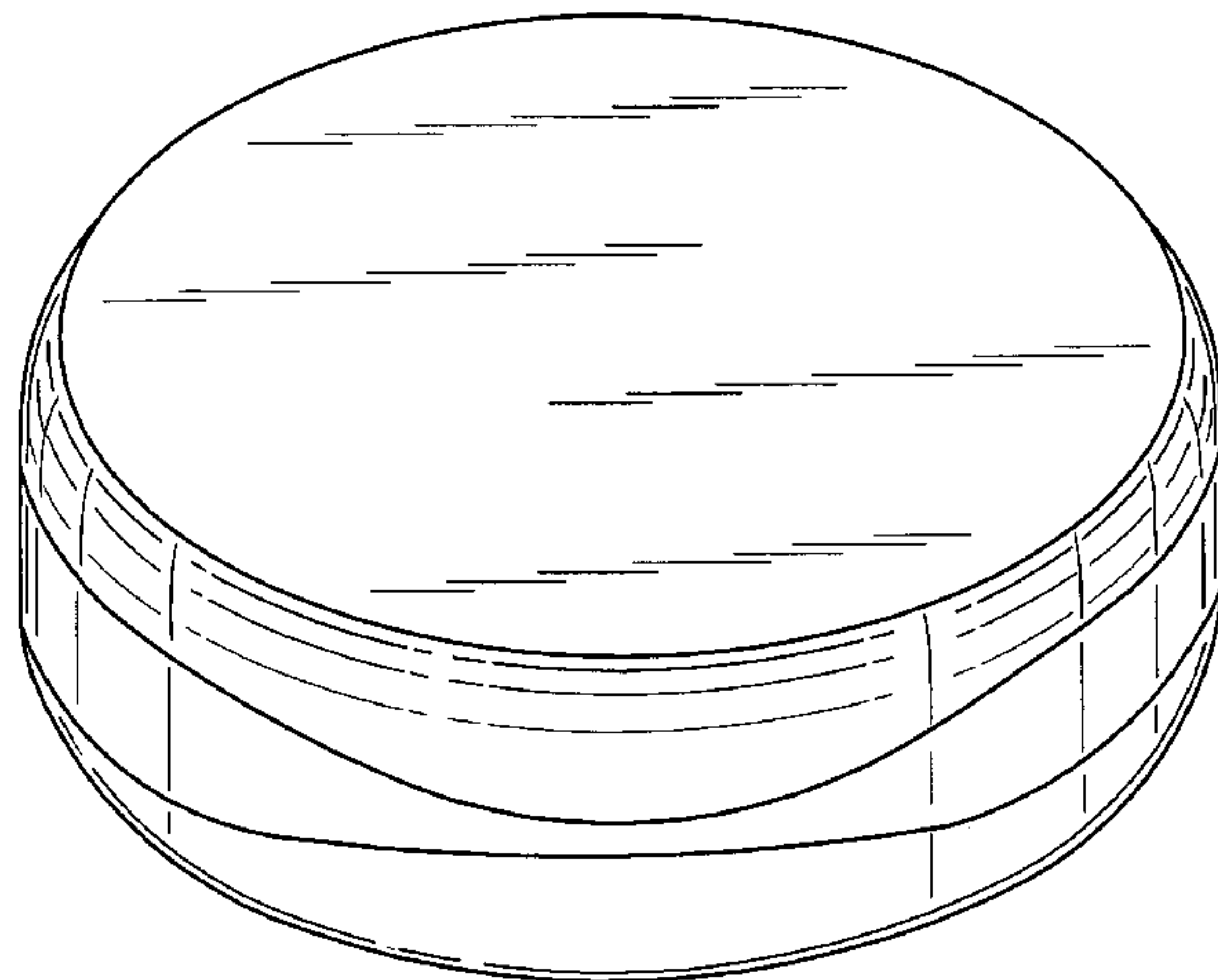
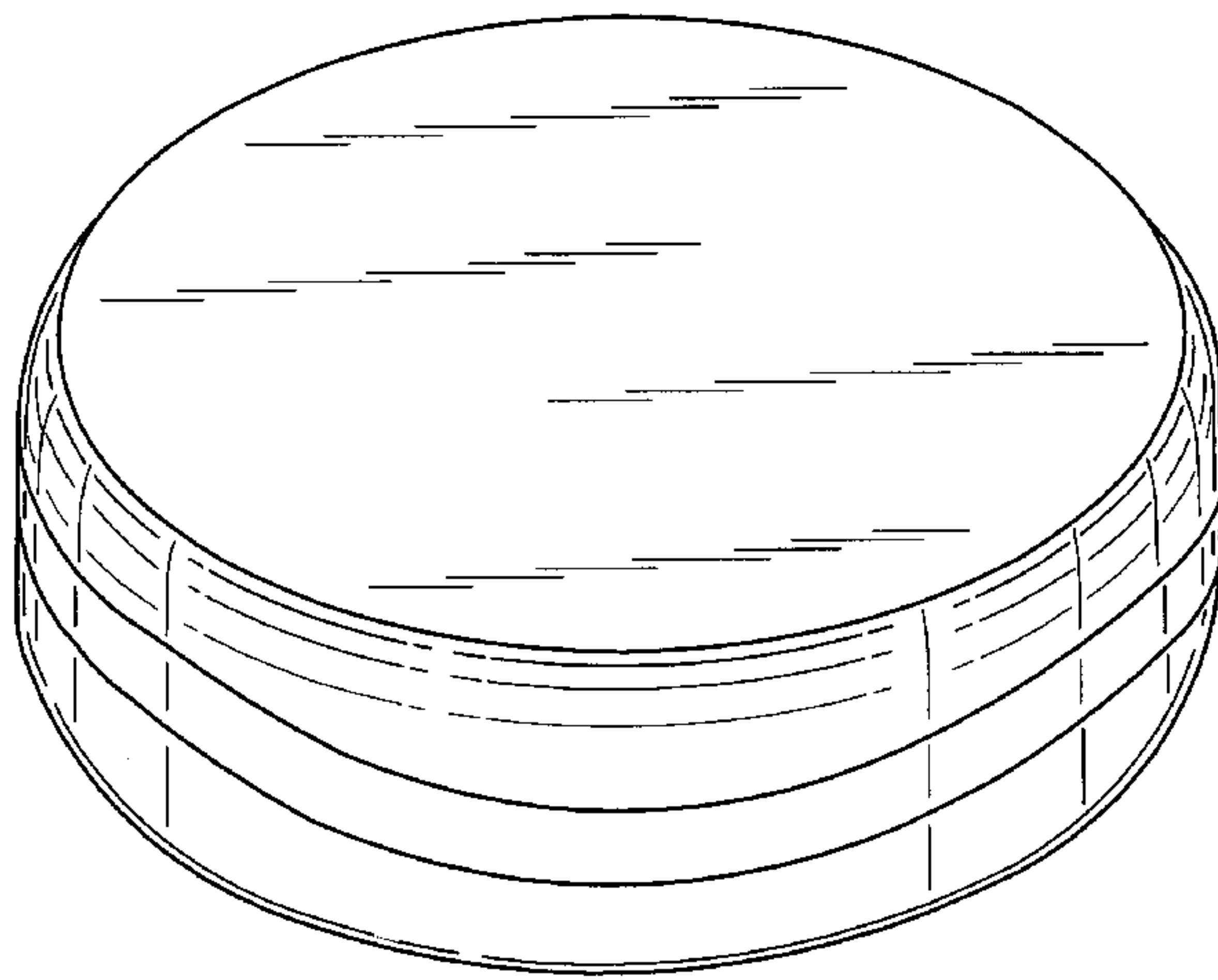
FIG. 3 is a rear perspective view thereof;

FIG. 4 is a front, top perspective view of a second embodiment of a can in accordance with the present design;

FIG. 5 is a side perspective view thereof; and,

FIG. 6 is a rear perspective view thereof.

**1 Claim, 6 Drawing Sheets**



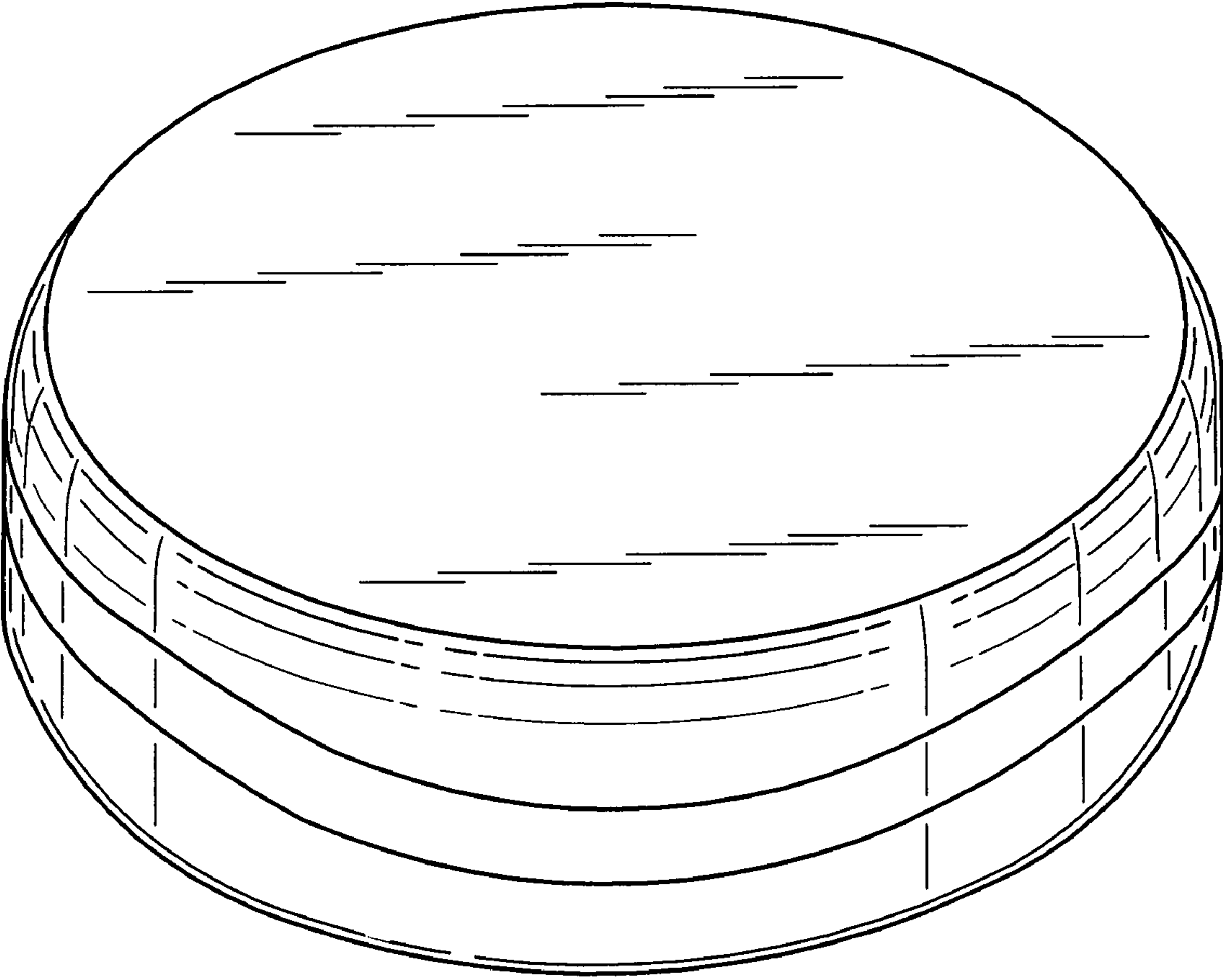


FIG. 1

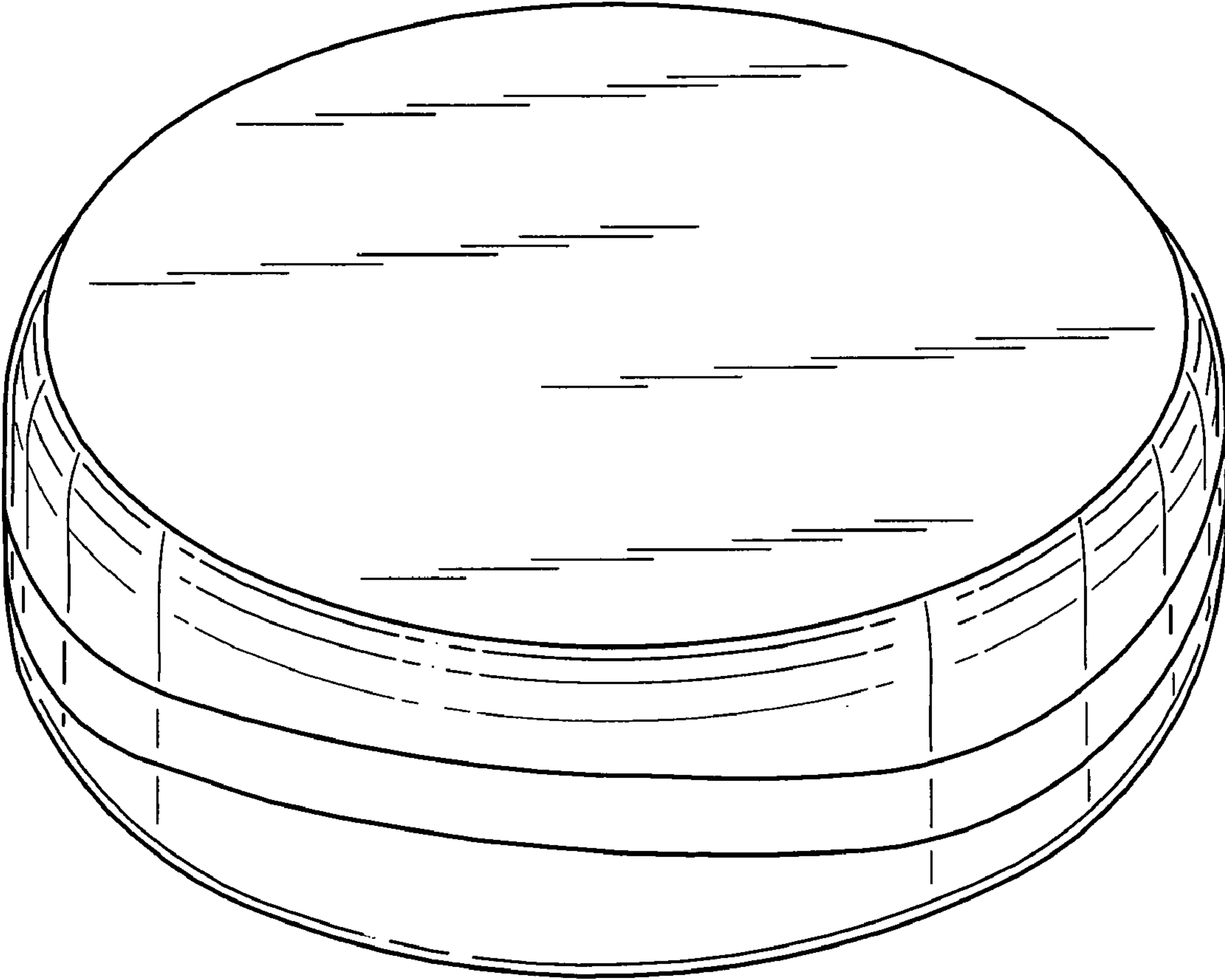


FIG. 2

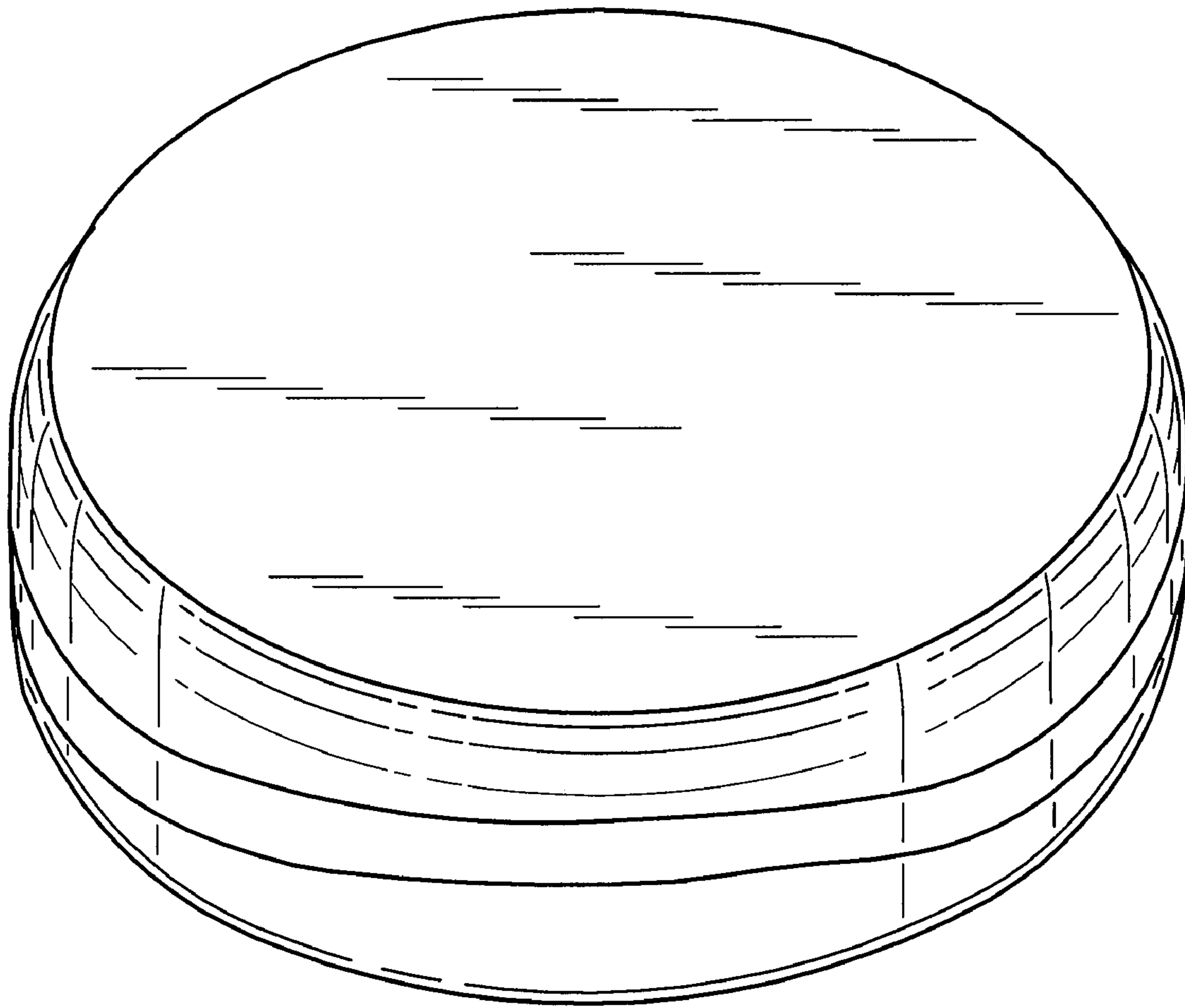


FIG. 3

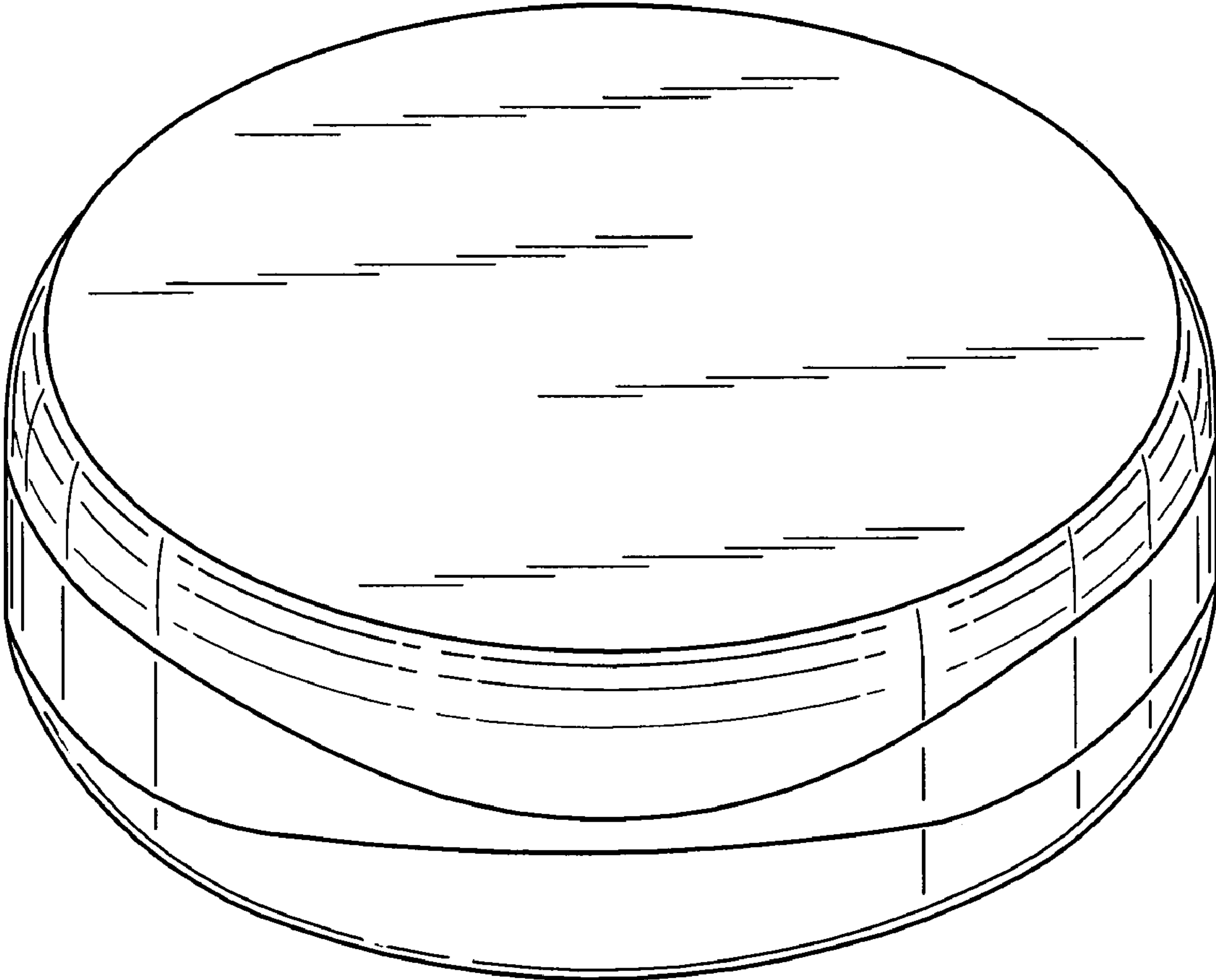


FIG. 4

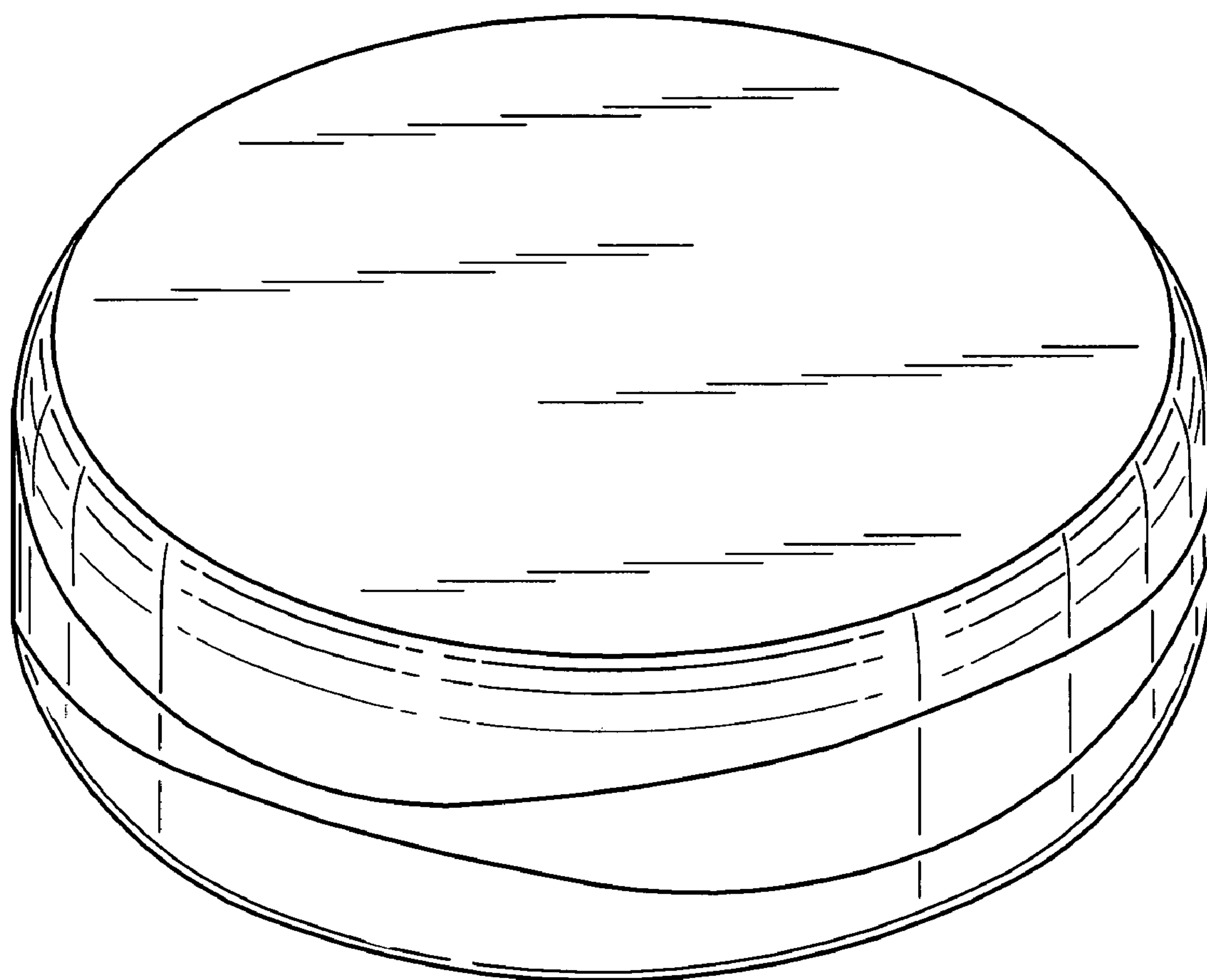


FIG. 5



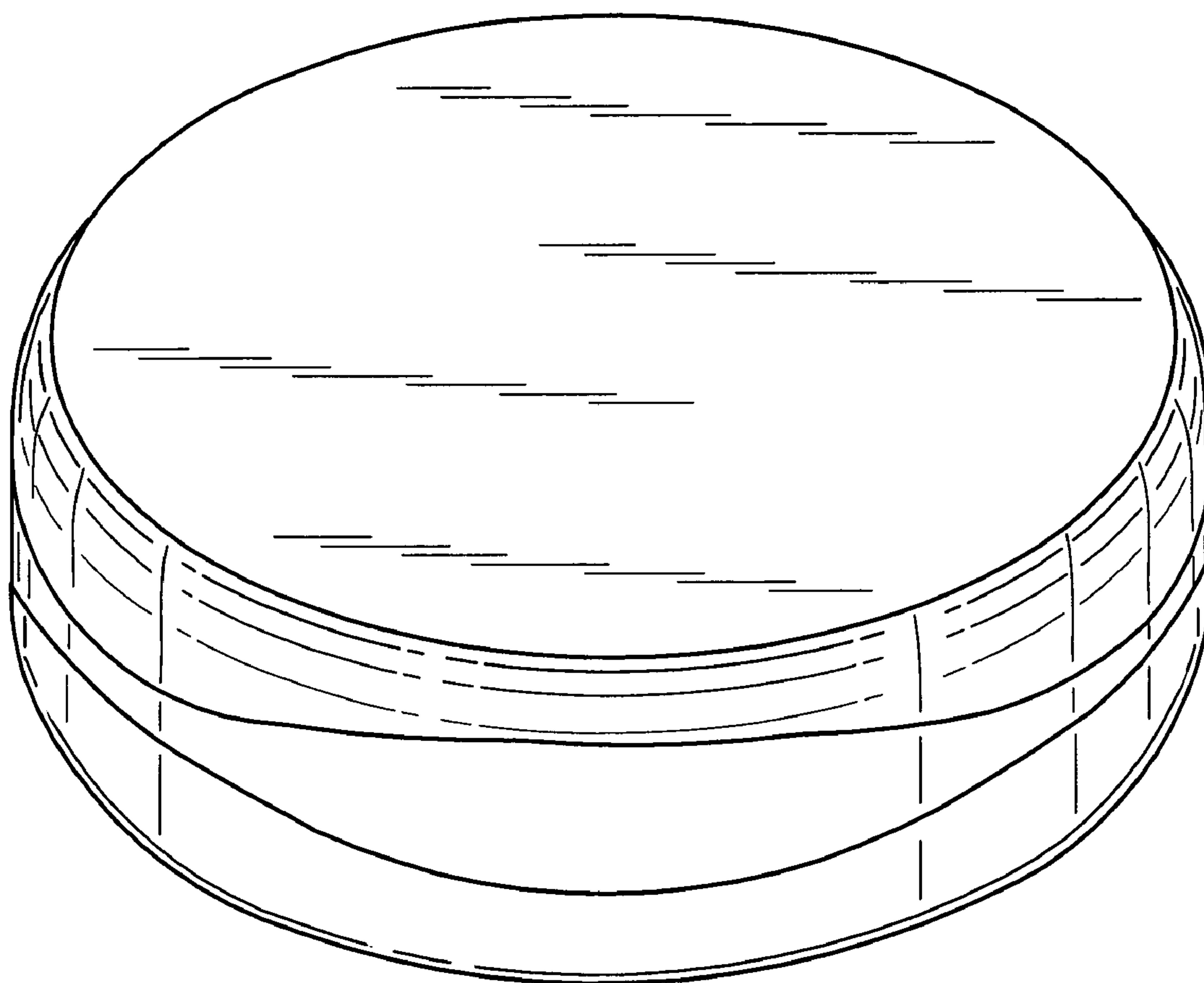


FIG. 6