

US00D590270S

(12) **United States Design Patent**
Friedman et al.

(10) **Patent No.:** **US D590,270 S**

(45) **Date of Patent:** **** Apr. 14, 2009**

(54) **BOTTLE**

(75) Inventors: **Pamela Friedman**, 160 E. 38th St., New York, NY (US) 10016; **Colin William Brown**, Bracknell Berkshire (GB); **Kishen Gohil**, Chessington (GB); **Guy Edward Naish**, Oxforshire (GB)

(73) Assignee: **Pamela Friedman**, New York, NY (US)

(**) Term: **14 Years**

(21) Appl. No.: **29/282,387**

(22) Filed: **Jul. 18, 2007**

(51) **LOC (9) Cl.** **09-01**

(52) **U.S. Cl.** **D9/658; D9/522**

(58) **Field of Classification Search** D9/600, D9/658-664, 693-694, 500-504, 516, 520, D9/522, 530, 542, 551, 562-564; 206/457, 206/822; 215/400; 220/890; D3/270, 271.1, D3/271.9; D23/366, 367

See application file for complete search history.

(56) **References Cited**

U.S. PATENT DOCUMENTS

- D278,887 S * 5/1985 Steiner D9/530
- D500,250 S * 12/2004 Bonelli et al. D9/658
- D508,557 S * 8/2005 Morrill D23/366
- D511,206 S * 11/2005 Emrich D23/366

- D518,730 S * 4/2006 Caserta et al. D9/522
- D532,696 S * 11/2006 Boudard D9/562
- D536,980 S * 2/2007 Smith et al. D9/522
- D537,351 S * 2/2007 Caserta et al. D9/522
- D537,354 S * 2/2007 Caserta et al. D9/522
- D542,662 S * 5/2007 Caserta et al. D9/522
- D556,582 S * 12/2007 Heijdenrijk D9/522
- D561,044 S * 2/2008 Lepoitevin D9/658

* cited by examiner

Primary Examiner—Sandra Morris

(74) *Attorney, Agent, or Firm*—Jack Schwartz & Associates, PLLC

(57) **CLAIM**

The ornamental design for a bottle, as shown and described.

DESCRIPTION

FIG. 1 is a front view of the bottle according to invention principles;

FIG. 2 is a back view of the bottle according to invention principles;

FIG. 3 is a right side view of the bottle according to invention principles;

FIG. 4 is a left side view of the bottle device according to invention principles; and,

FIG. 5 is a top view of the bottle according to the invention principles.

1 Claim, 5 Drawing Sheets

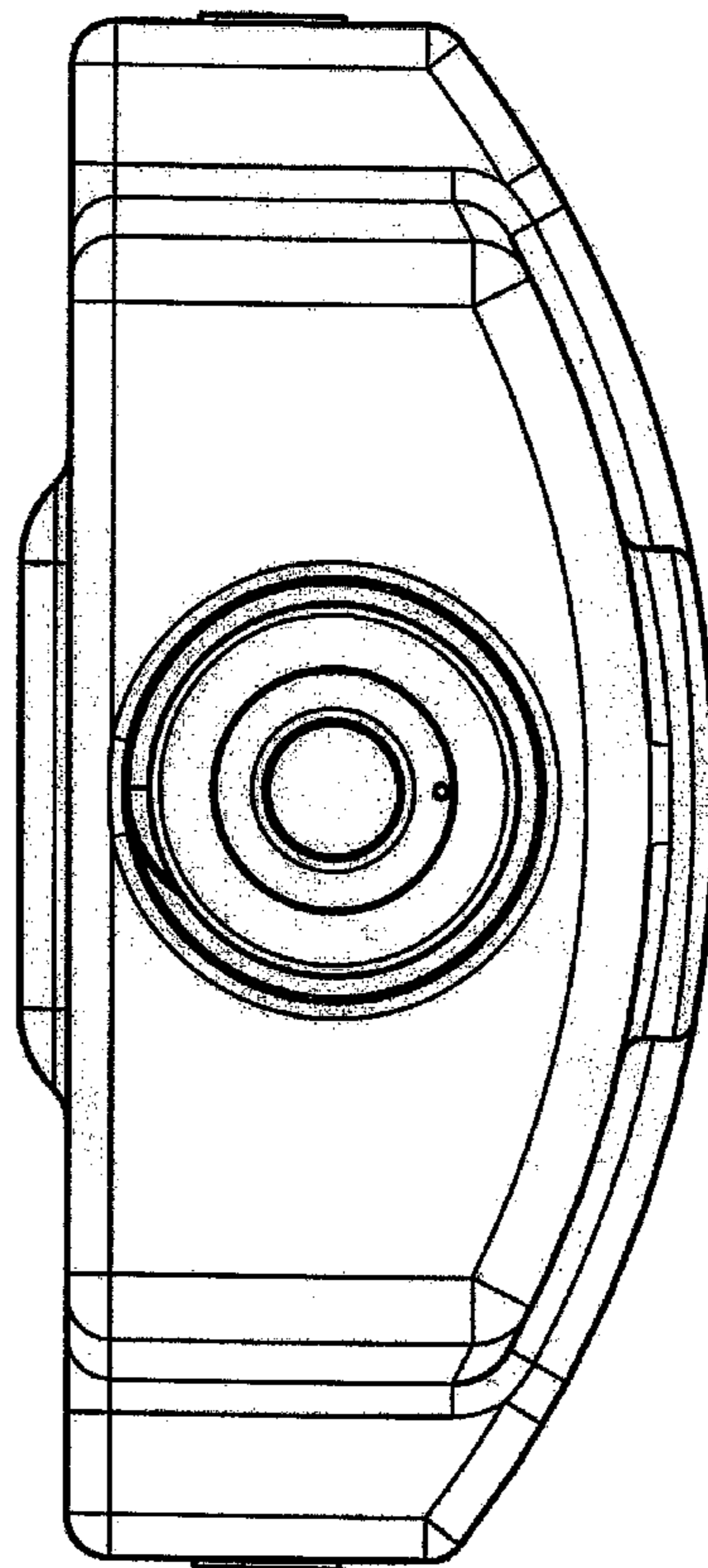
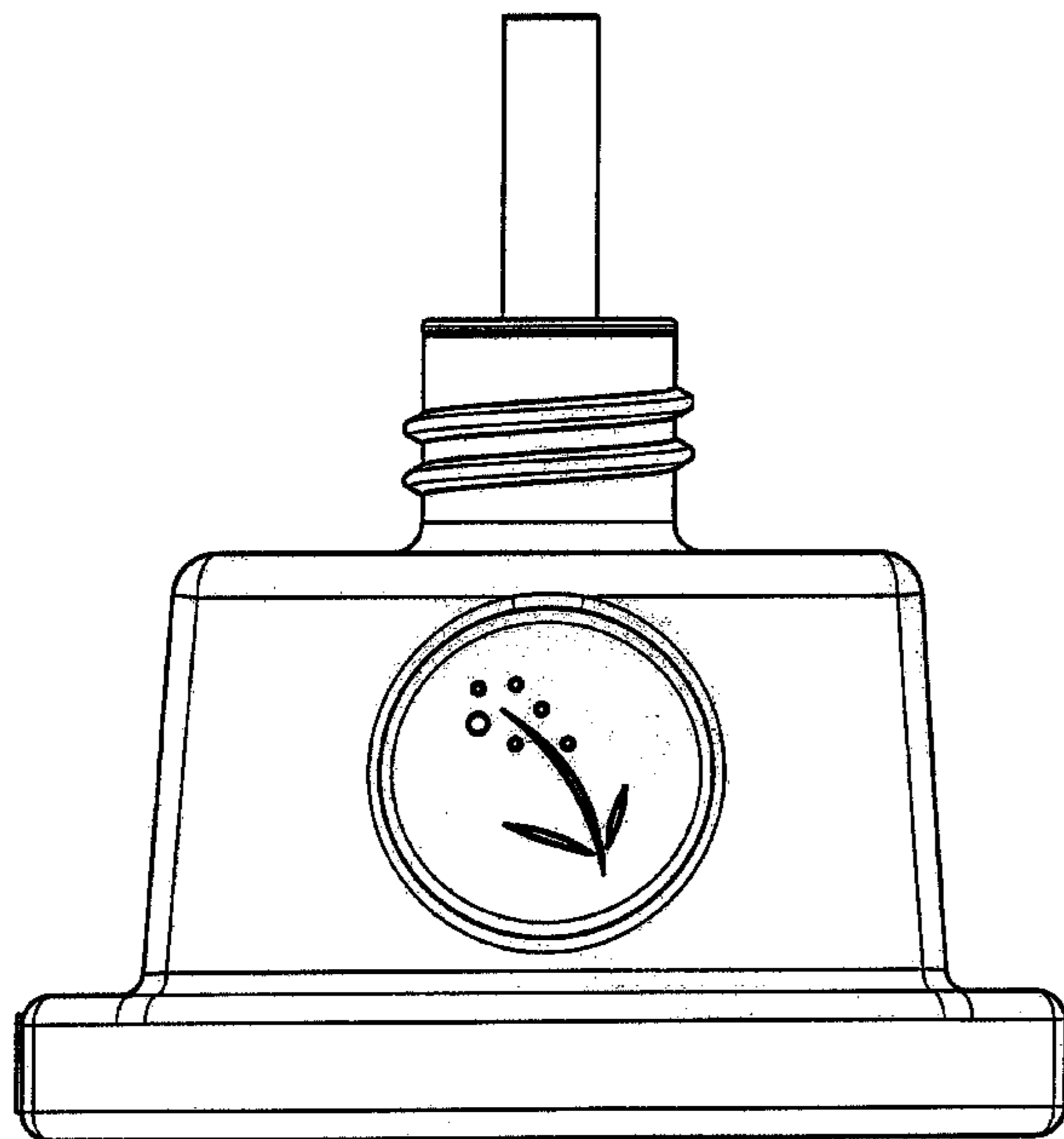
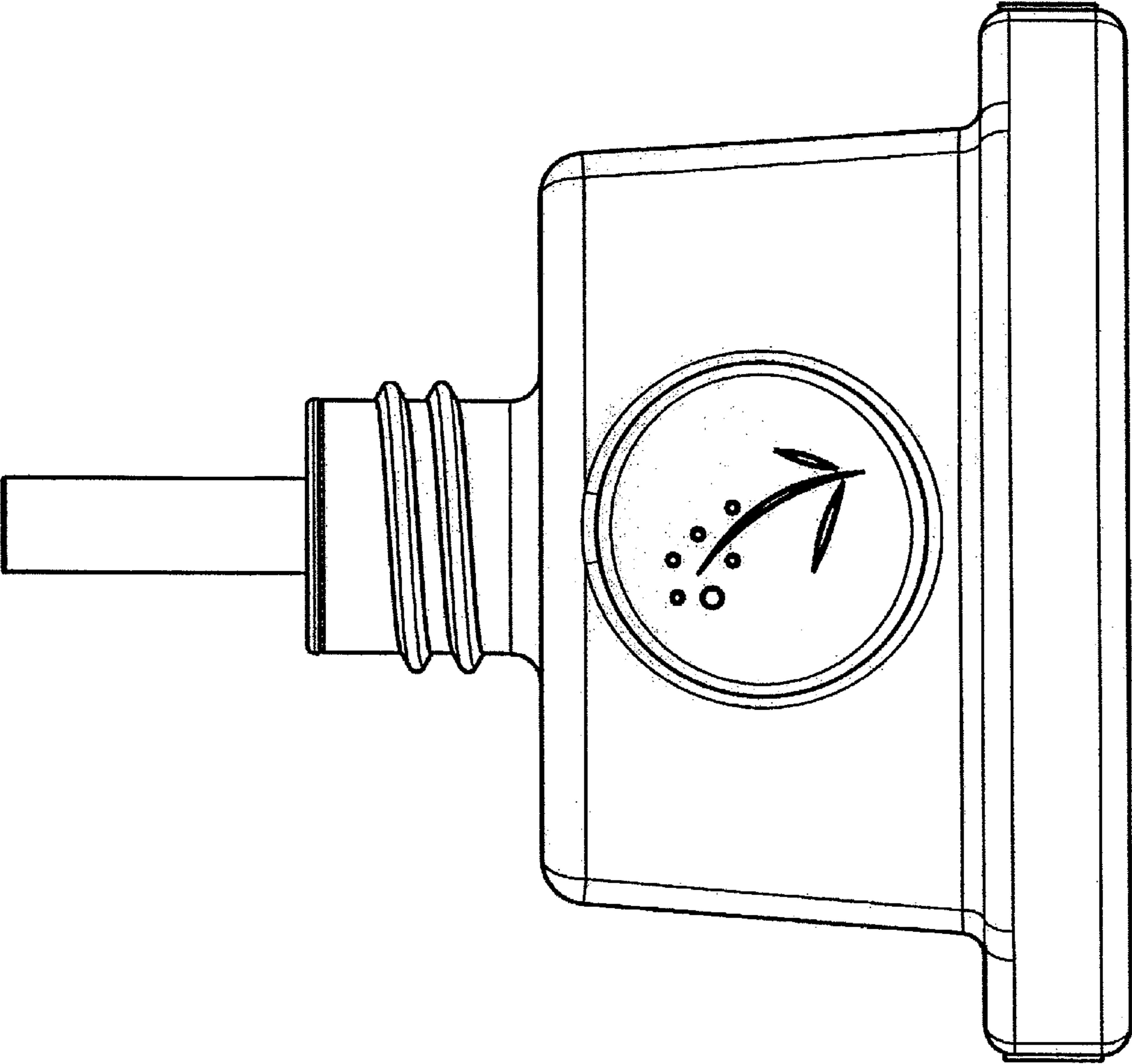


FIGURE 1



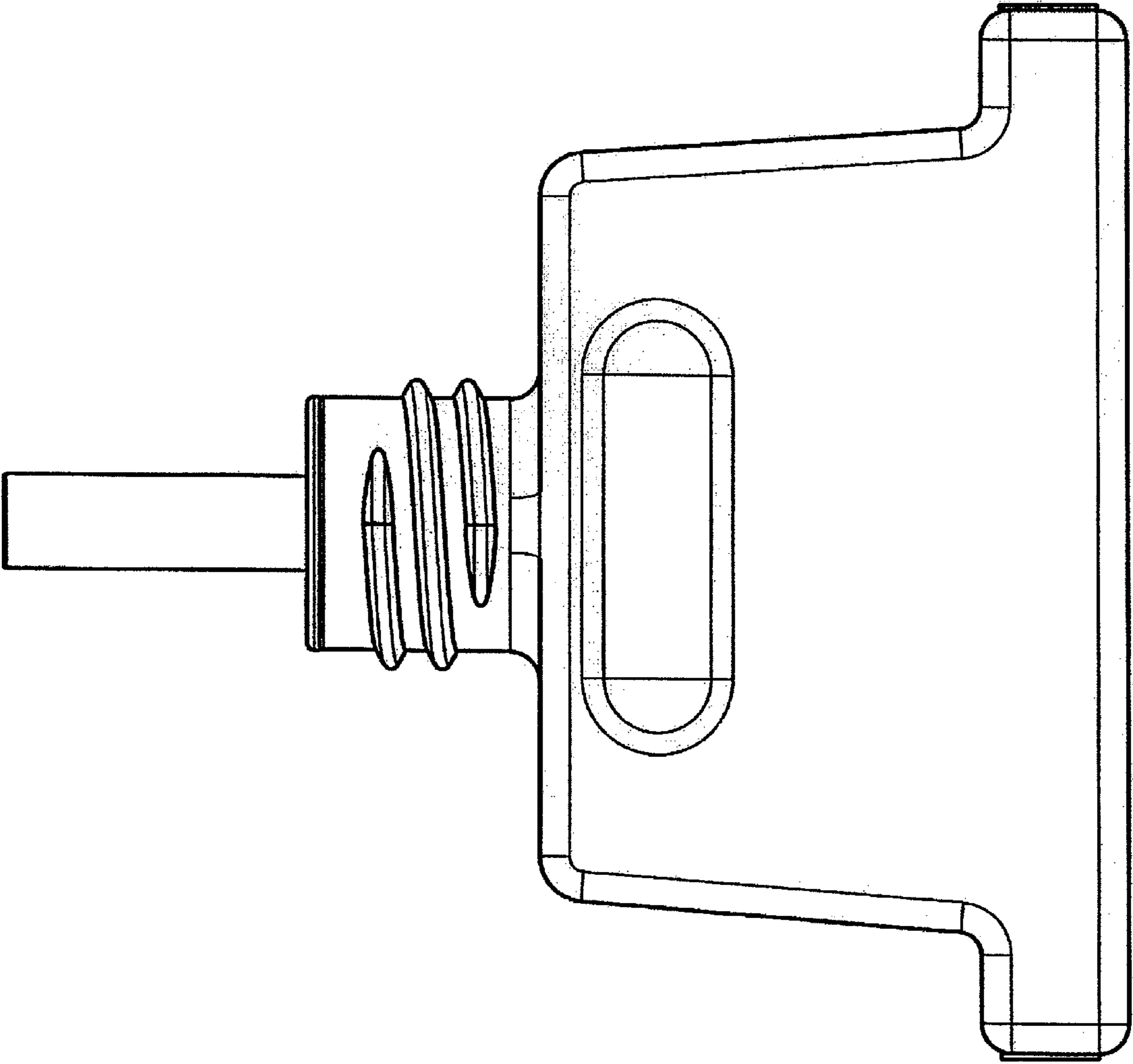


FIGURE 2

FIGURE 3

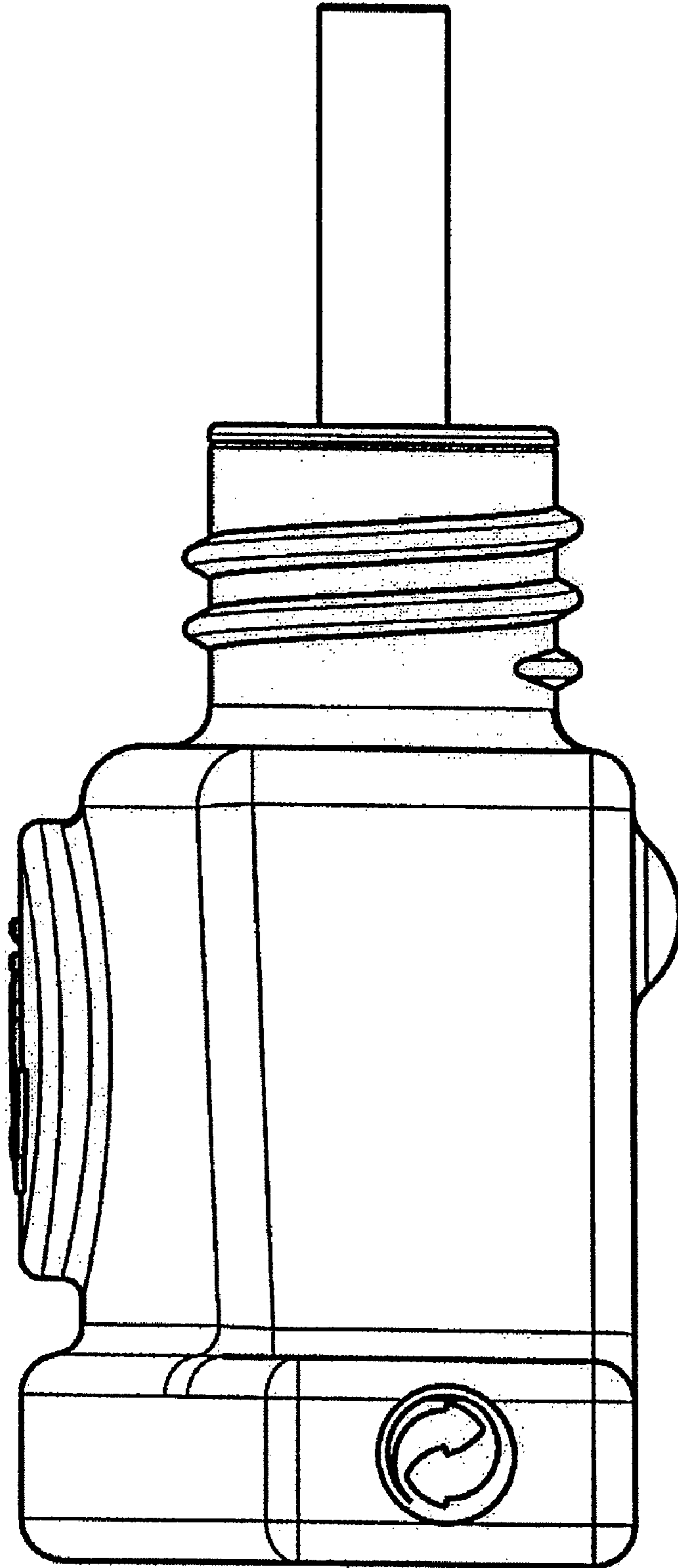
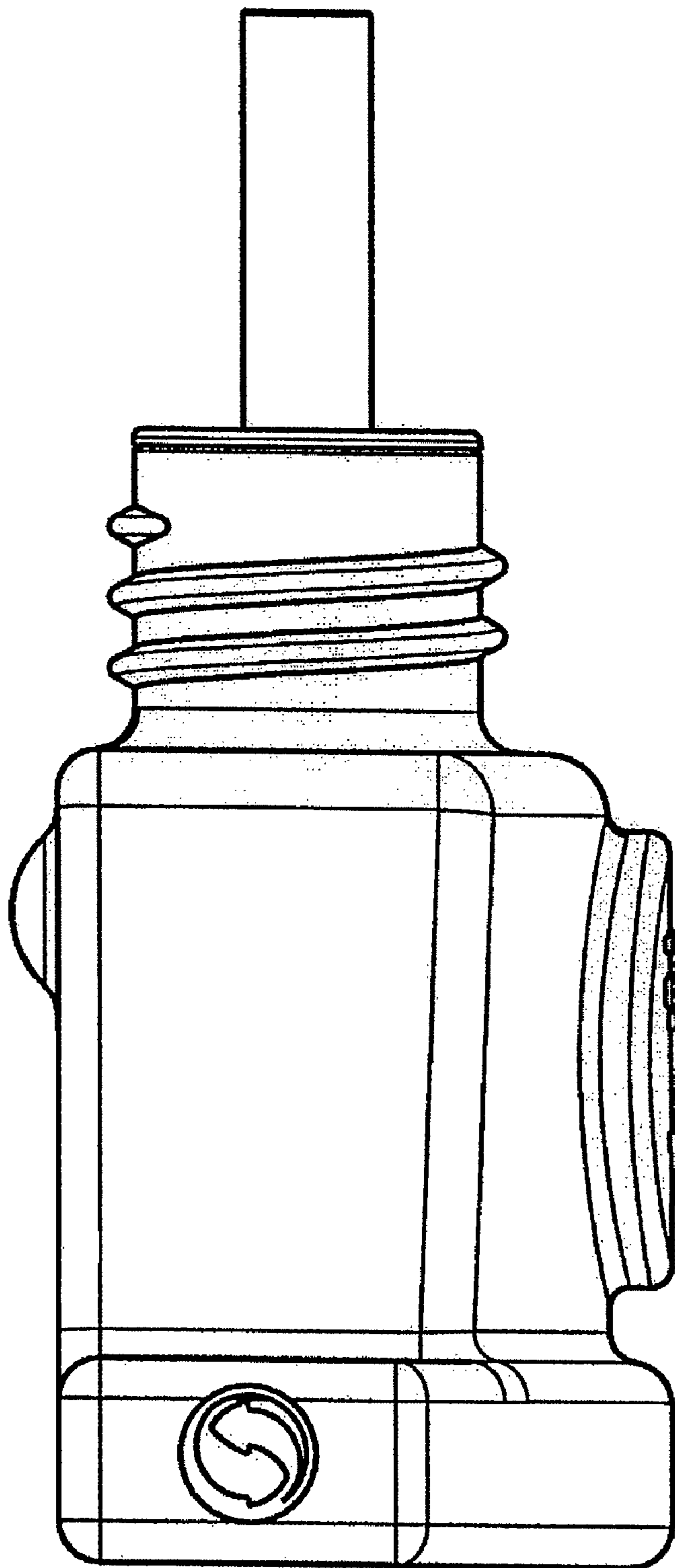


FIGURE 4



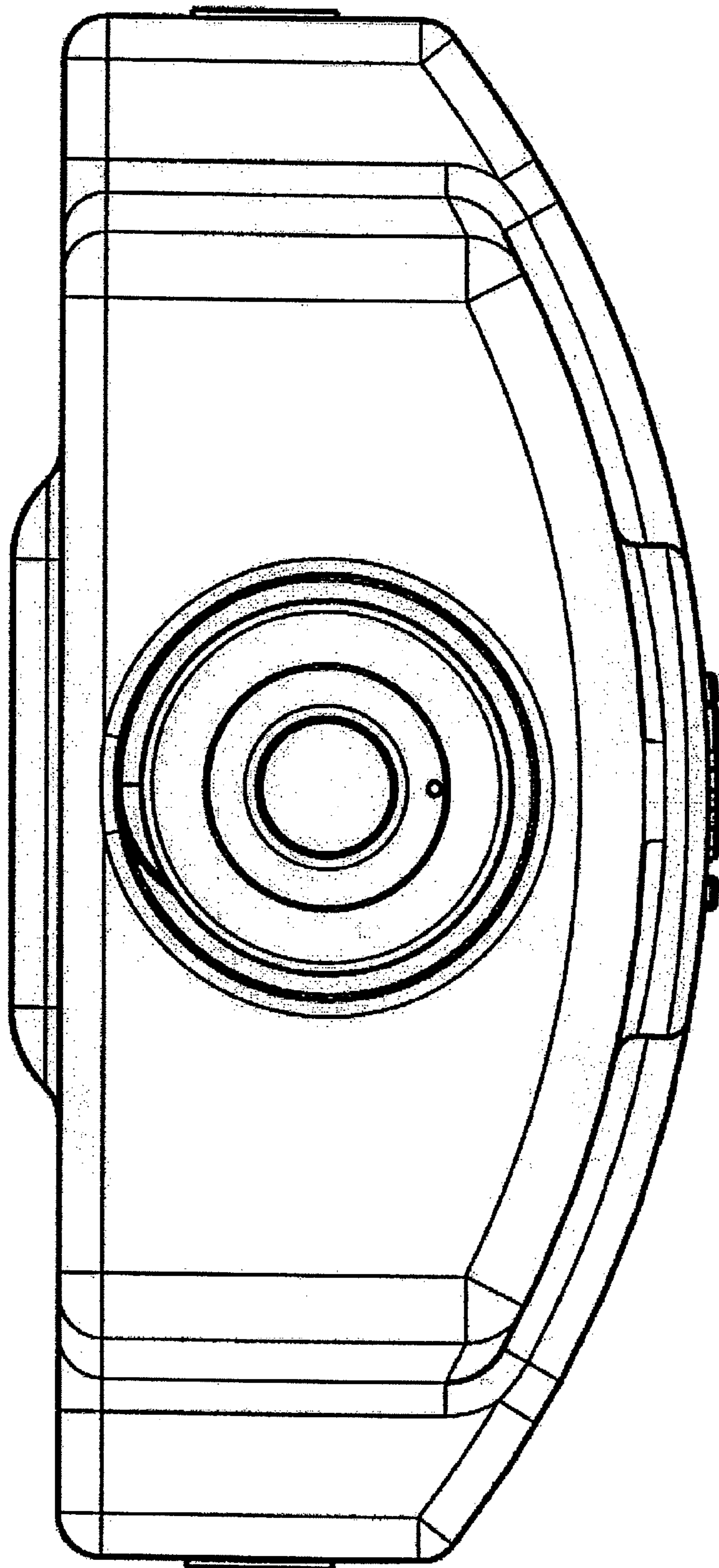


FIGURE 5