

US00D590268S

(12) **United States Design Patent**
Floyd et al.

(10) **Patent No.:** **US D590,268 S**

(45) **Date of Patent:** **** Apr. 14, 2009**

(54) **CONTAINER**

(75) Inventors: **Brian Lee Floyd**, Cincinnati, OH (US);
Ian Andrew Carnduff, New York, NY
(US); **Ian Josiah Swanson**, New York,
NY (US); **Paul Frank Diehl**, Brooklyn,
NY (US)

(73) Assignee: **The Procter & Gamble Company**,
Cincinnati, OH (US)

(**) Term: **14 Years**

(21) Appl. No.: **29/308,331**

(22) Filed: **Jun. 11, 2008**

(51) **LOC (9) Cl.** **09-01**

(52) **U.S. Cl.** **D9/543; D9/565**

(58) **Field of Classification Search** D9/516,
D9/530, 542-543, 552, 565, 682, 685, 693;
215/382, 384

See application file for complete search history.

(56) **References Cited**

U.S. PATENT DOCUMENTS

D185,526 S *	6/1959	Alvey	D9/542
D186,913 S *	12/1959	Dike	D9/543
D188,628 S *	8/1960	Heintze	D9/542
D207,800 S *	5/1967	Roberts	D9/565
D211,002 S *	5/1968	Vanderhyde	D9/530
D217,586 S *	5/1970	Douglas	D9/542
D253,630 S *	12/1979	McCredie	D9/543
D260,238 S *	8/1981	Costa	D9/542
5,156,285 A *	10/1992	Zogg et al.	215/384
D337,948 S *	8/1993	Reif	D9/543
D356,505 S *	3/1995	Gonda et al.	D9/543
D392,569 S *	3/1998	Feen	D9/543
D458,542 S *	6/2002	Cummings et al.	D9/530
D486,743 S *	2/2004	Nelson et al.	D9/565
D498,679 S *	11/2004	Meeker et al.	D9/530
D509,743 S *	9/2005	Blasko et al.	D9/552
D538,673 S *	3/2007	Sterling et al.	D9/552

D538,674 S *	3/2007	Sterling et al.	D9/552
D540,680 S *	4/2007	Perry et al.	D9/516
D543,460 S *	5/2007	Perry et al.	D9/516
D547,187 S *	7/2007	Floyd et al.	D9/516
D555,003 S *	11/2007	Perry et al.	D9/552

* cited by examiner

Primary Examiner—Carol Rademaker

(74) *Attorney, Agent, or Firm*—David V. Upite; Mark A. Charles; Kim William Zerby

(57) **CLAIM**

The ornamental design for a container, as shown and described.

DESCRIPTION

FIG. 1 is a perspective view of a first embodiment of a container;

FIG. 2 is a front elevational view thereof;

FIG. 3 is a rear elevational view thereof;

FIG. 4 right side elevational view thereof;

FIG. 5 left side elevational view thereof;

FIG. 6 is a top plan view thereof;

FIG. 7 is a bottom plan view thereof;

FIG. 8 is a perspective view of a second embodiment of a container;

FIG. 9 is a front elevational view thereof;

FIG. 10 is a rear elevational view thereof;

FIG. 11 right side elevational view thereof;

FIG. 12 left side elevational view thereof;

FIG. 13 is a top plan view thereof; and,

FIG. 14 is a bottom plan view thereof.

The broken line showing of environmental structure in the figures is for illustrative purposes only and forms no part of the claimed design.

1 Claim, 10 Drawing Sheets

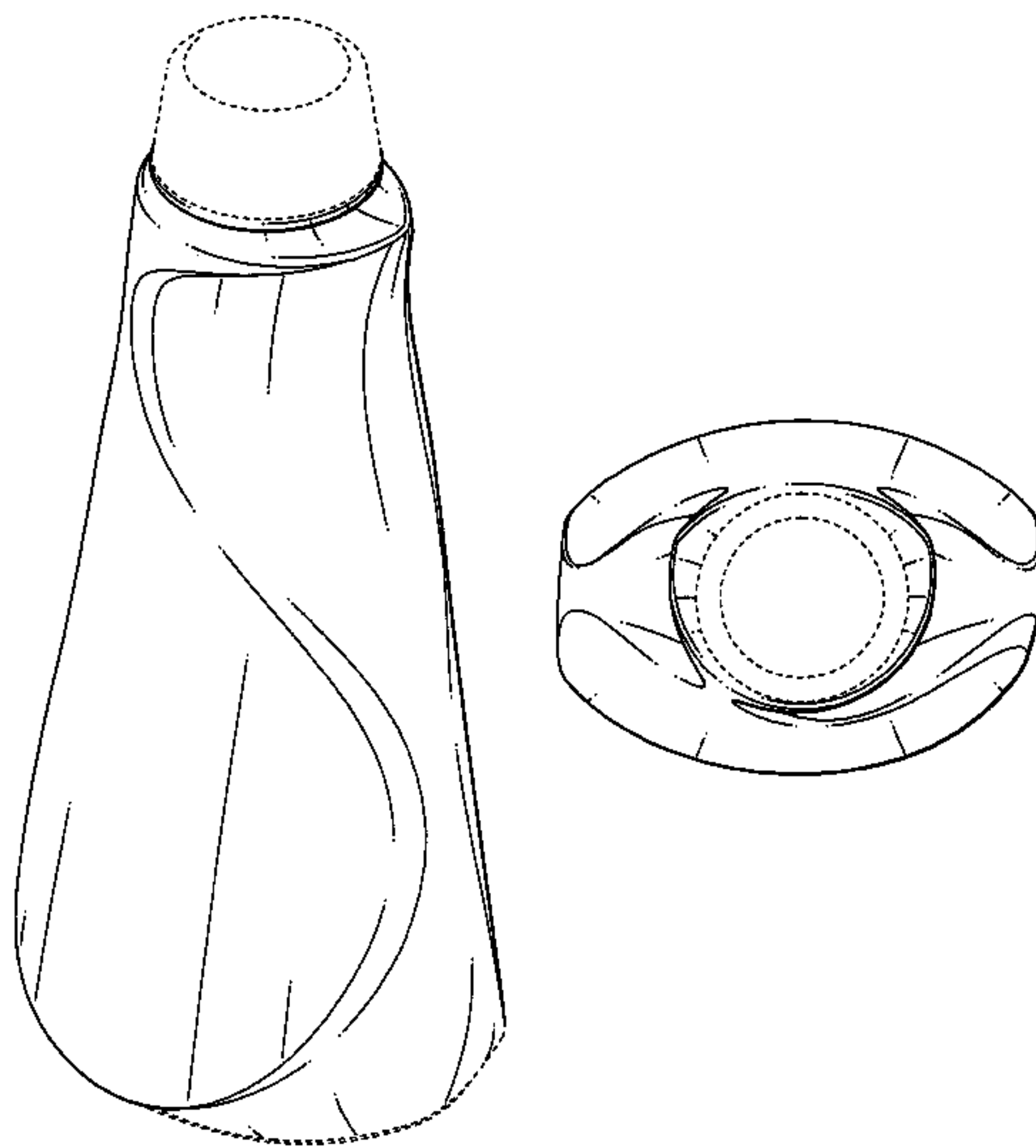




FIG. 1



FIG. 2



FIG. 3



FIG. 4



FIG. 5

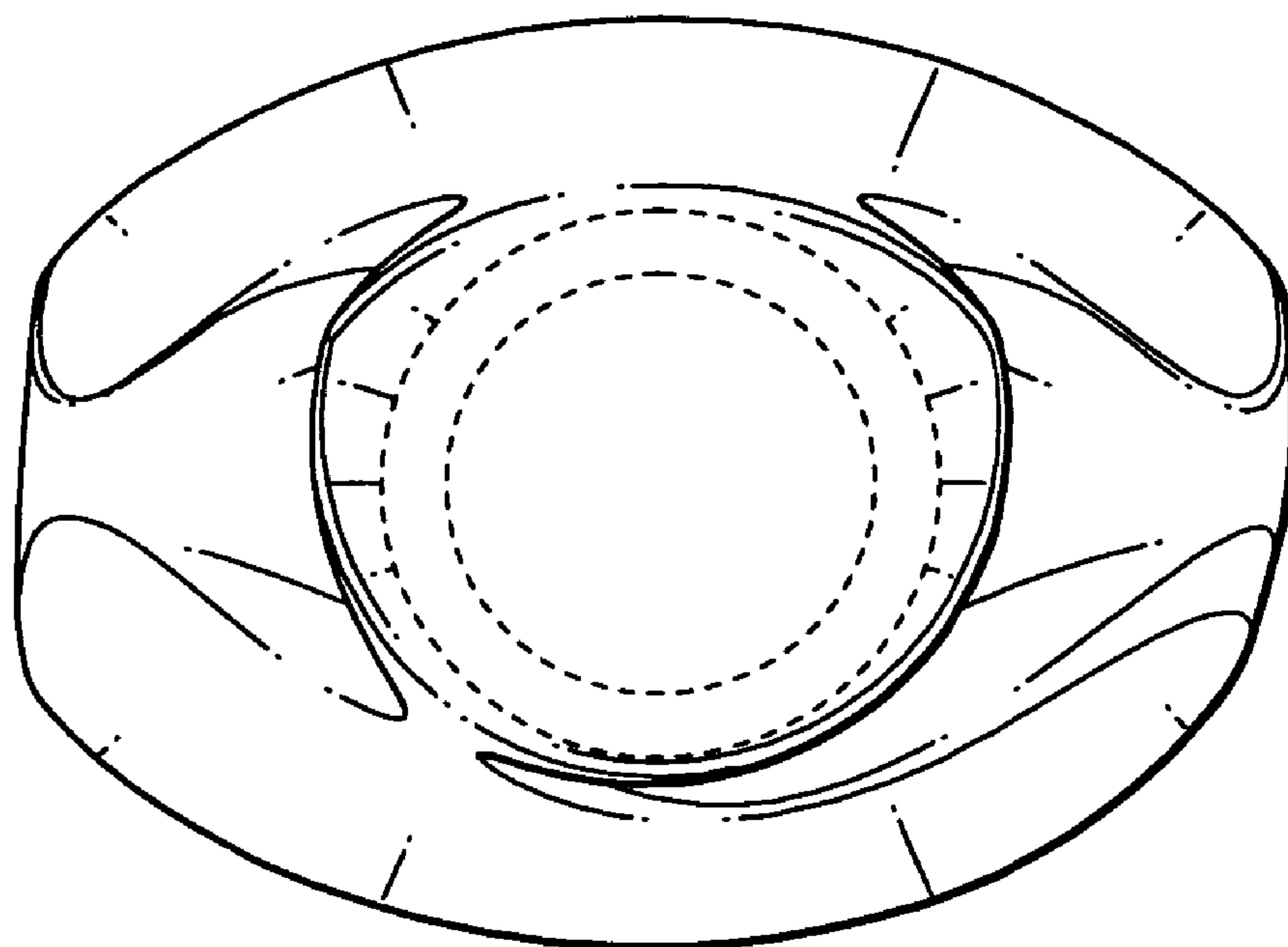


FIG. 6

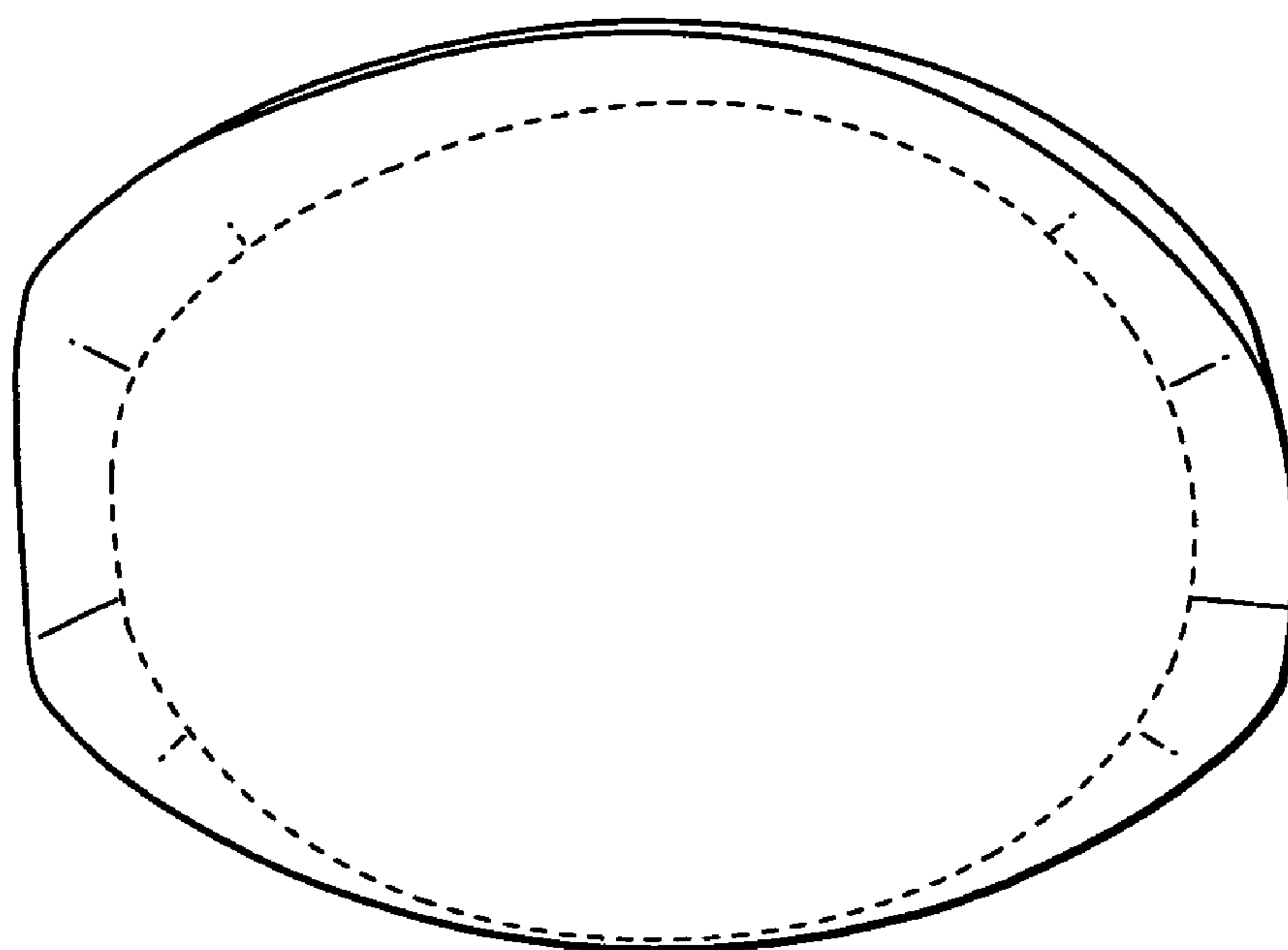


FIG. 7



FIG. 8



FIG. 9



FIG. 10



FIG. 11



FIG. 12

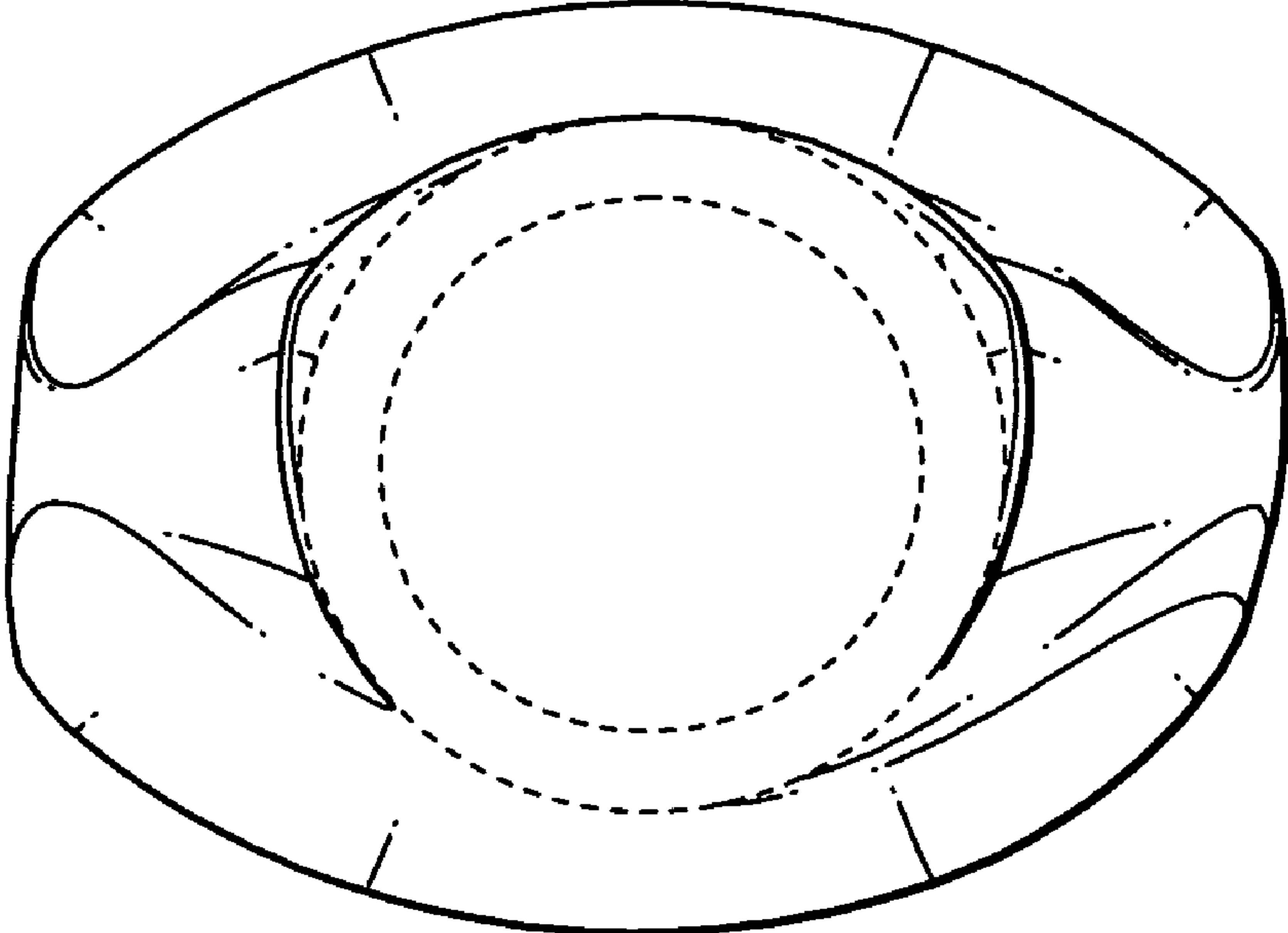


FIG. 13

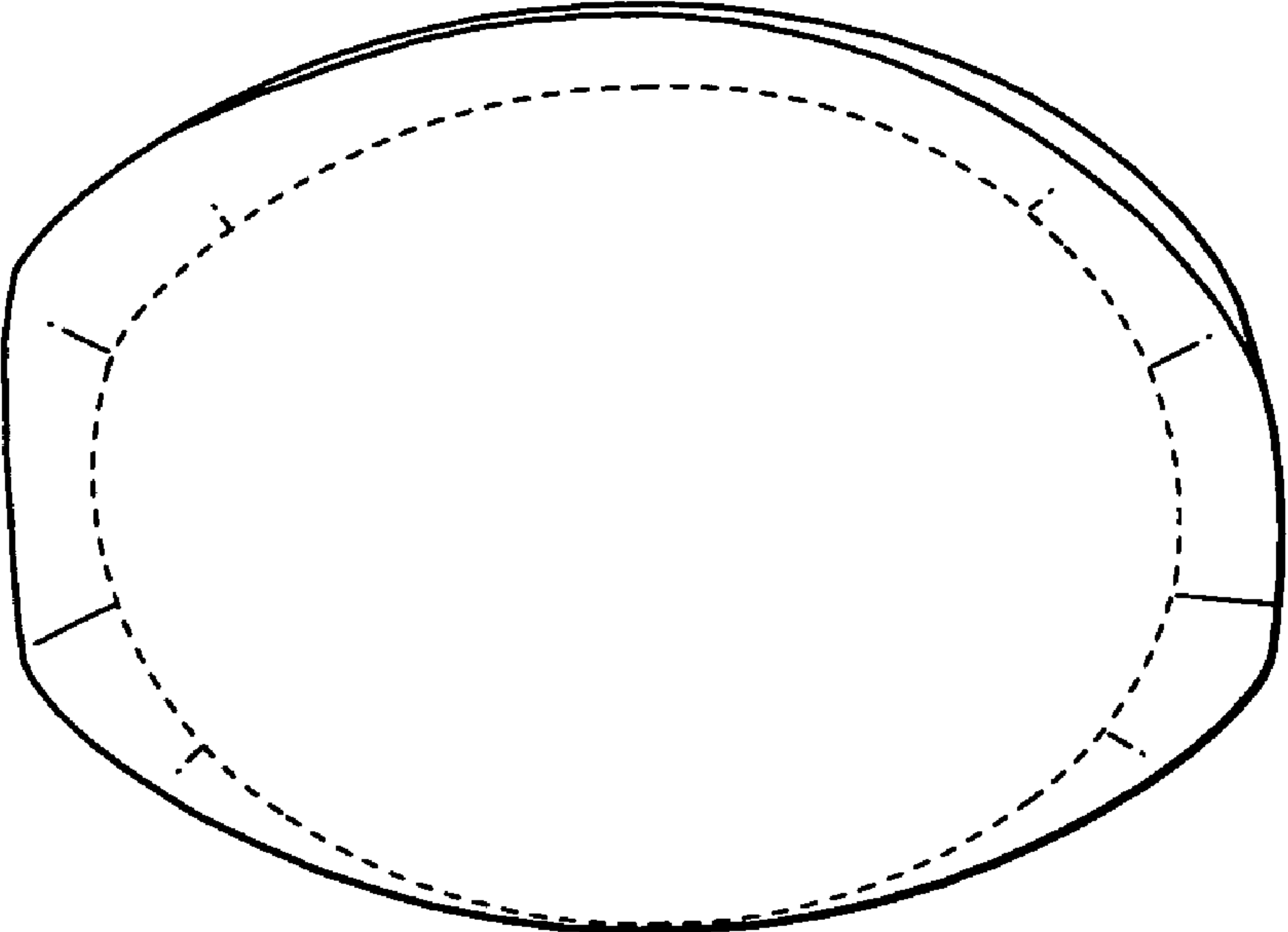


FIG. 14