



US00D590267S

(12) **United States Design Patent**
Oommen et al.

(10) **Patent No.:** **US D590,267 S**
(45) **Date of Patent:** **** Apr. 14, 2009**

(54) **BOTTLE**

D448,678 S 10/2001 Bakic

(75) Inventors: **Roy Oommen**, Bloomfield, NJ (US);
Caroline Flagiello, San Francisco, CA
(US); **Elliot Sather**, San Francisco, CA
(US); **Matt Adams**, Mountain View, CA
(US); **Dennis Connor**, Merrimack, NH
(US)

(Continued)

OTHER PUBLICATIONS

Bottle by Voss of Norway ASA ("Voss"); date unknown but prior to filing date of present application.

Primary Examiner—Stella M Reid

Assistant Examiner—Keli L Hill

(74) *Attorney, Agent, or Firm*—Banner & Witcoff, Ltd.

(73) Assignee: **PepsiCo, Inc.**, Purchase, NY (US)

(**) Term: **14 Years**

(57) **CLAIM**

(21) Appl. No.: **29/277,681**

The ornamental design for a bottle, as shown and described.

(22) Filed: **Mar. 6, 2007**

DESCRIPTION

(51) **LOC (9) Cl.** **09-01**

FIG. 1 is a front left perspective view of a bottle showing a first embodiment of our new design;

(52) **U.S. Cl.** **D9/542; D9/545**

FIG. 2 is a front view thereof;

(58) **Field of Classification Search** D9/516,

FIG. 3 is a right side view thereof;

D9/530, 537, 541, 549, 555, 554, 558, 434,

FIG. 4 is a rear view thereof;

D9/435, 452–454; 215/381–385

FIG. 5 is a left side view thereof;

See application file for complete search history.

FIG. 6 is a top view thereof

(56) **References Cited**

FIG. 7 is a front left perspective view of a bottle showing a second embodiment of our new design;

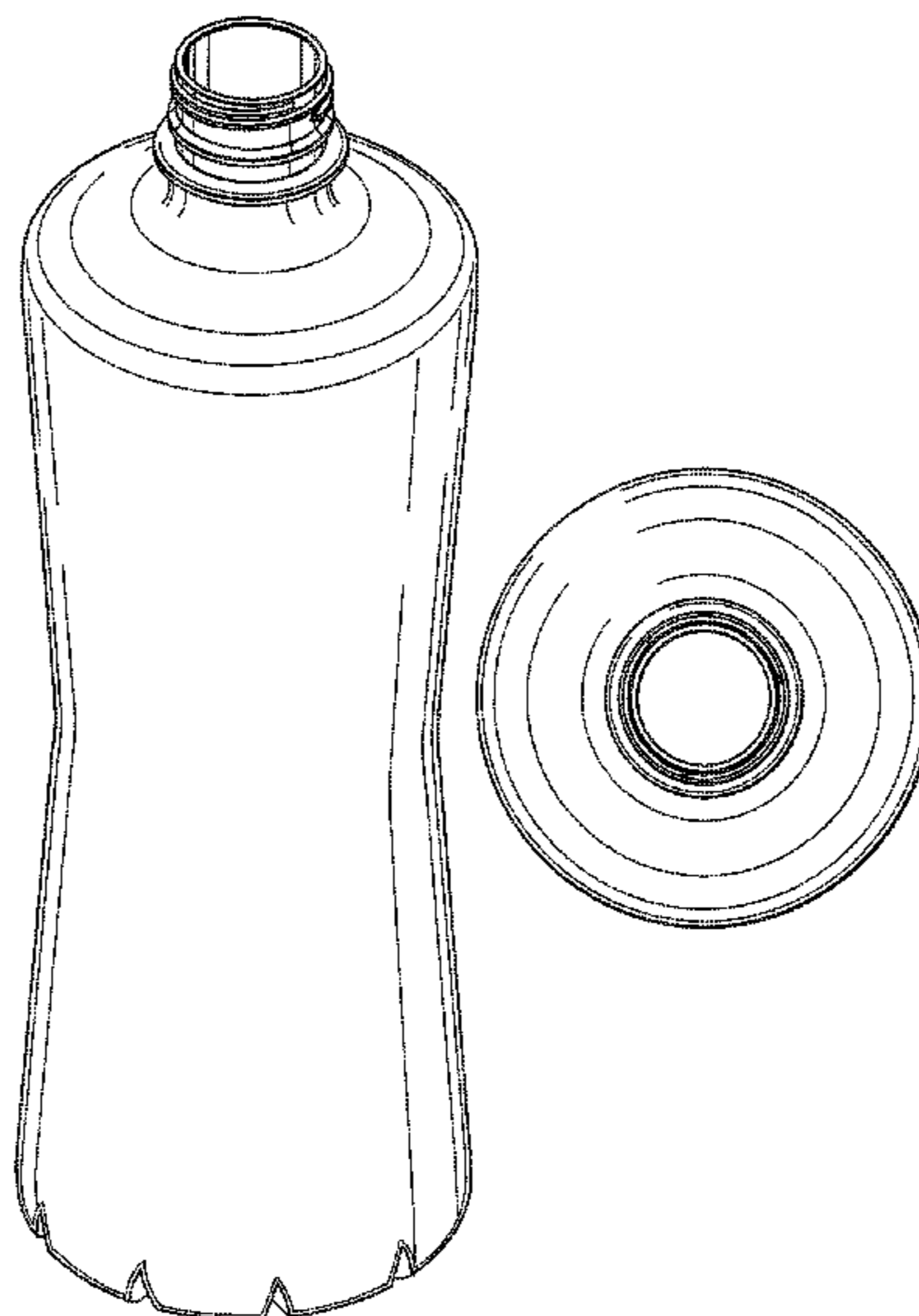
U.S. PATENT DOCUMENTS

D38,167 S *	8/1906	Wintermann	D9/500
D307,646 S *	5/1990	Kingsford	D28/76
D407,980 S *	4/1999	Dinand	D9/500
D408,740 S	4/1999	Jones et al.		
D412,281 S *	7/1999	Lindsay et al.	D9/500
D413,067 S *	8/1999	Haley	D9/539
D416,199 S	11/1999	Alguire et al.		
D421,910 S *	3/2000	Warner et al.	D9/520
D422,902 S *	4/2000	Kikuchi	D9/689
D428,342 S	7/2000	Stoller		
D436,501 S *	1/2001	Huang	D7/608
D441,296 S	5/2001	Majerowski		
D443,821 S	6/2001	Bakic		
D444,390 S	7/2001	Kokenge et al.		
D446,121 S	8/2001	Maddy		
D448,306 S	9/2001	de Giovellina		

FIG. 12 is a top view thereof.

The broken lines immediately adjacent the shaded areas in FIGS. 7–12 represent the bounds of the claimed design while all other broken lines are directed to environment and are for illustrative purposes only; the broken lines form no part of the claimed design.

1 Claim, 12 Drawing Sheets



US D590,267 S

Page 2

U.S. PATENT DOCUMENTS

D476,894 S *	7/2003	Masotta et al.	D9/503	D519,784 S *	5/2006	Karp	D7/523
D478,278 S	8/2003	Masotta et al.		D527,644 S	9/2006	Bakic	
D479,470 S	9/2003	Braaten et al.		D535,563 S *	1/2007	Martin	D9/500
D497,554 S	10/2004	Le Bourg		D541,167 S *	4/2007	Matsumura et al.	D9/558
6,837,390 B2	1/2005	Lane et al.		D556,038 S *	11/2007	Chupak	D9/500
D505,079 S	5/2005	Mulder et al.		D575,640 S *	8/2008	Alaama et al.	D9/500
D506,135 S	6/2005	Breier et al.		D576,044 S *	9/2008	Lamb et al.	D9/529
D507,753 S *	7/2005	Lamb et al.	D9/689	2006/0108318 A1	5/2006	Chisholm	
D508,205 S *	8/2005	Wadalawala et al.	D9/500	2006/0131258 A1	6/2006	Yourist	
D510,270 S	10/2005	Khalifa					

* cited by examiner

Fig. 1

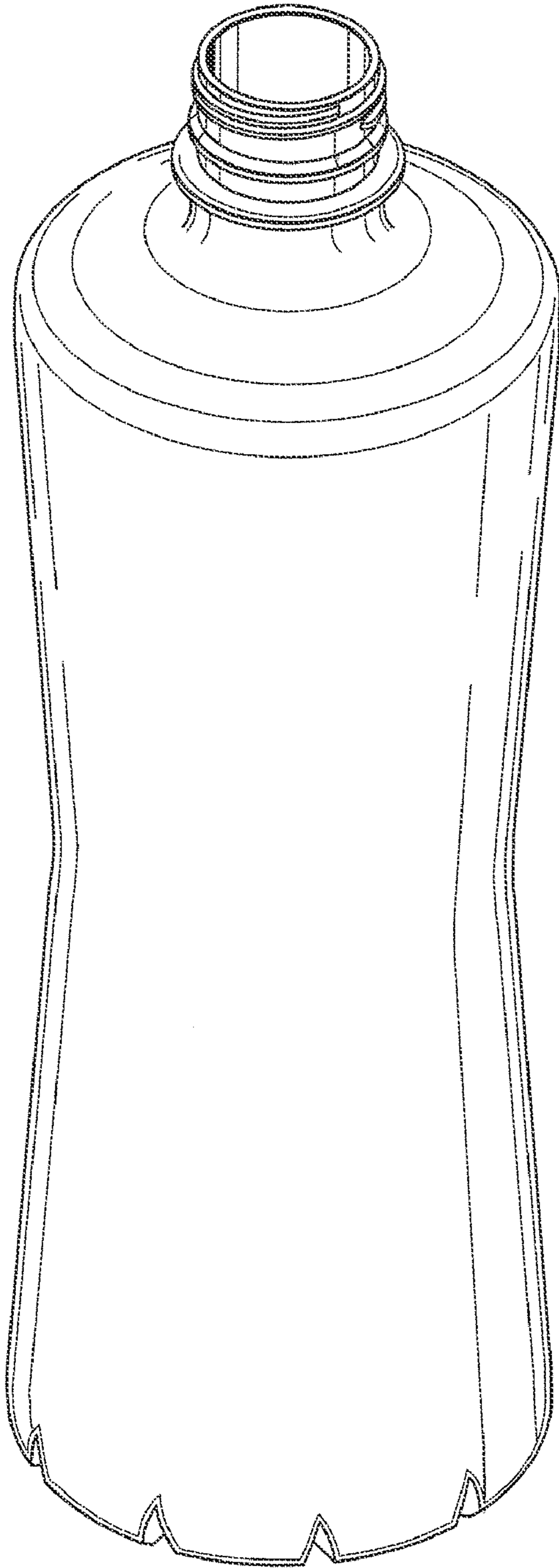


Fig. 2

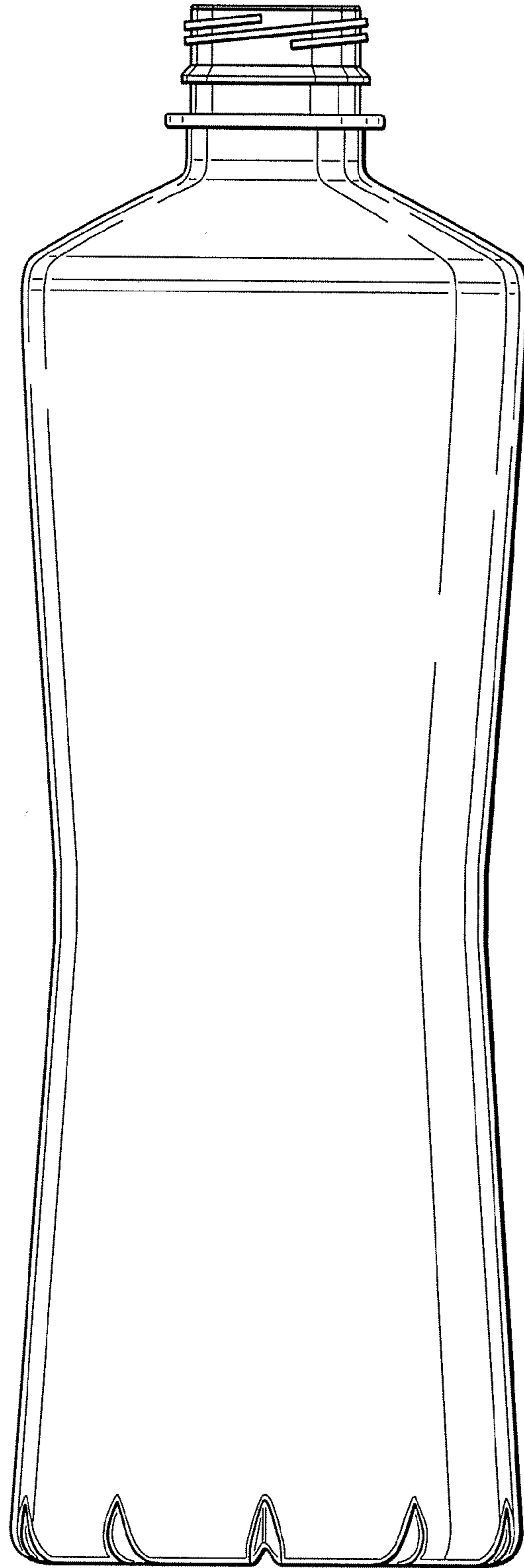


Fig. 3



Fig. 4

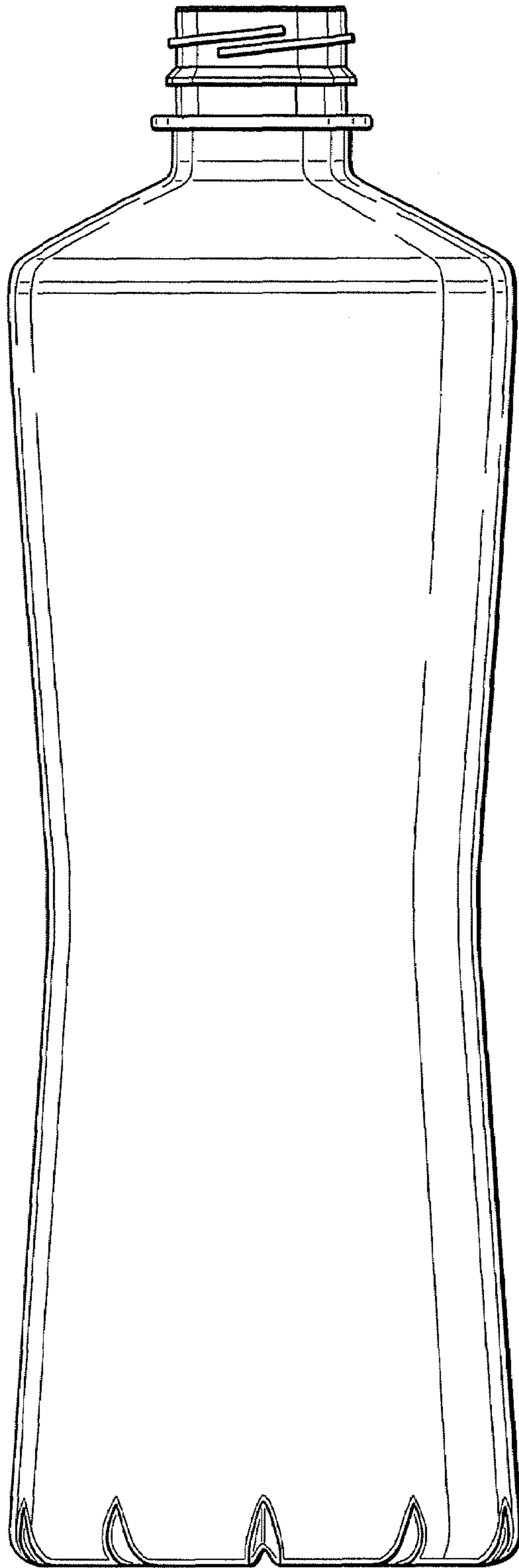


Fig. 5

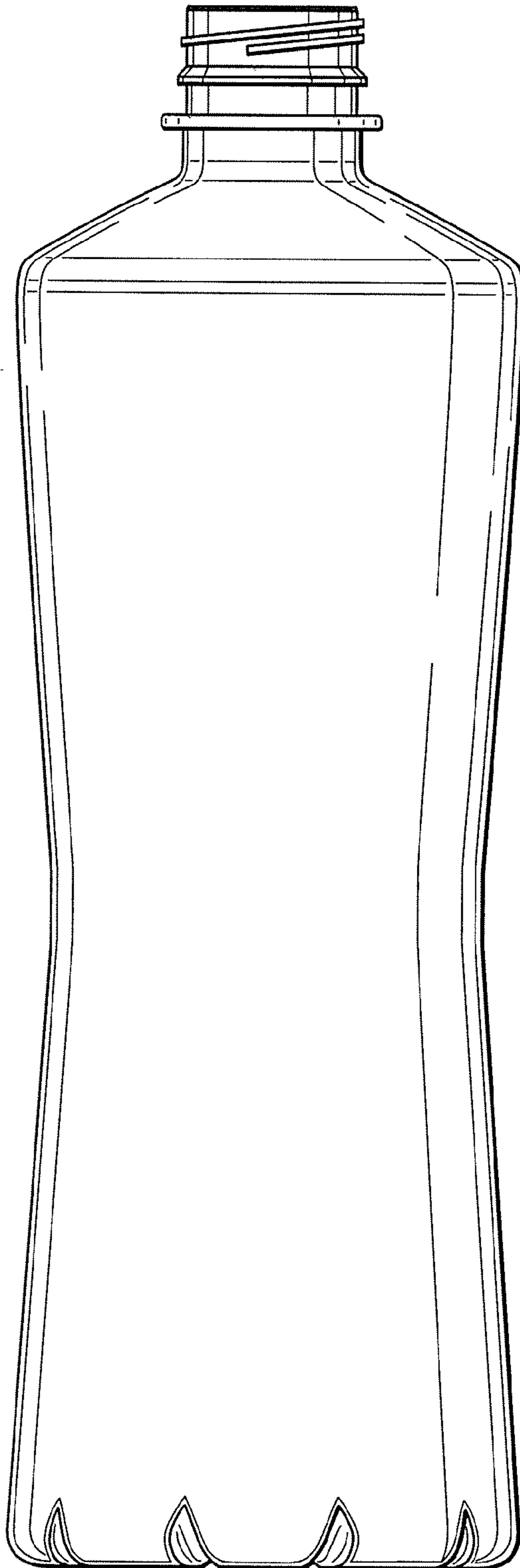


Fig. 6

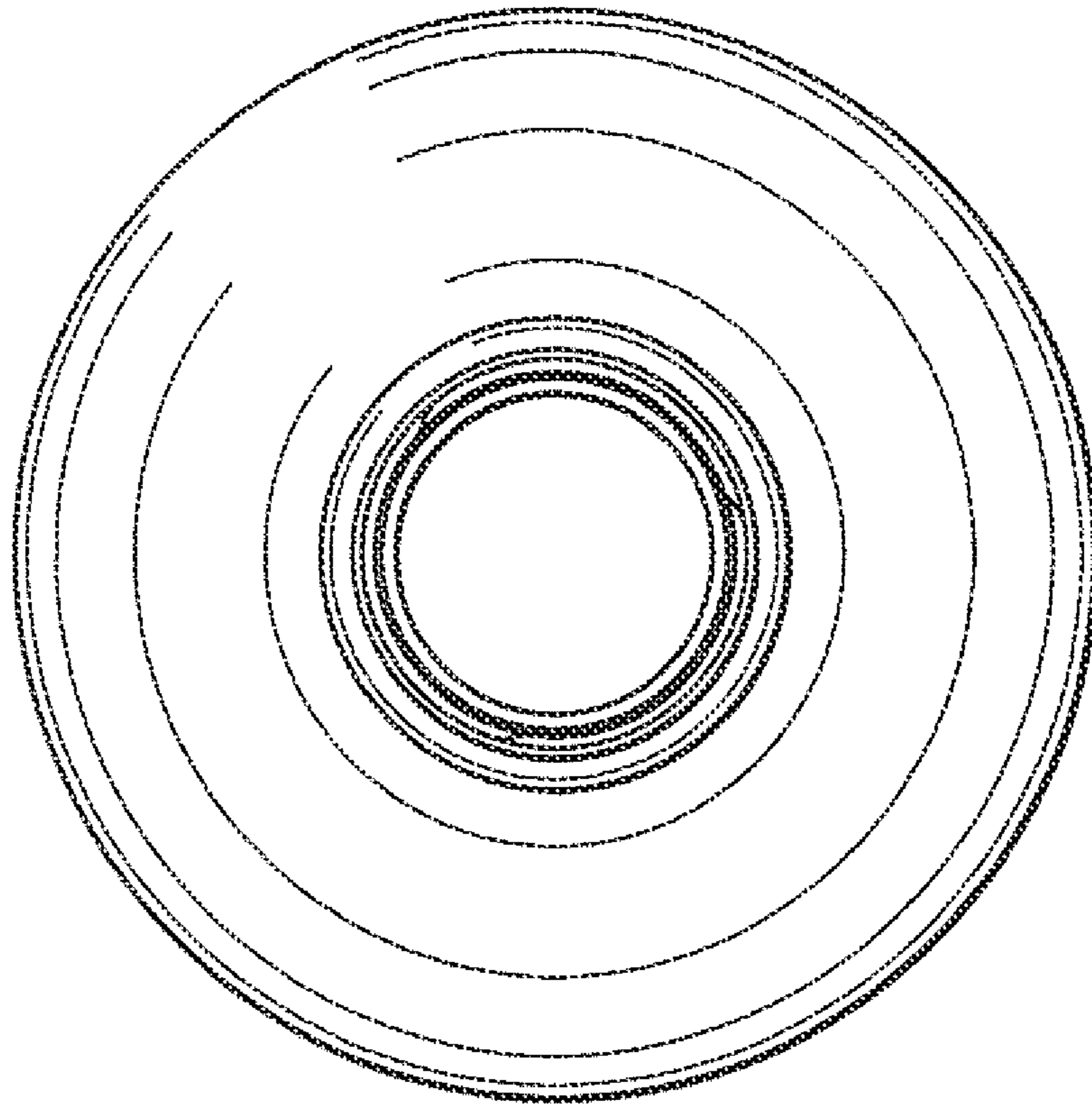


Fig. 7

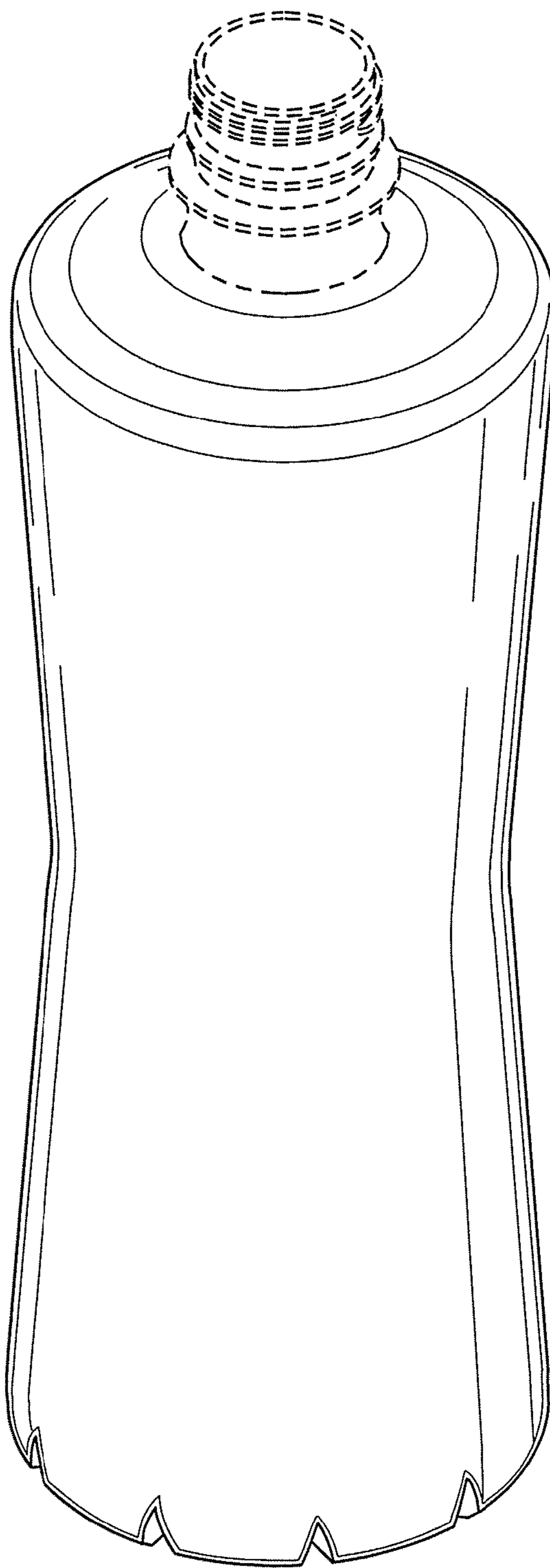


Fig. 8

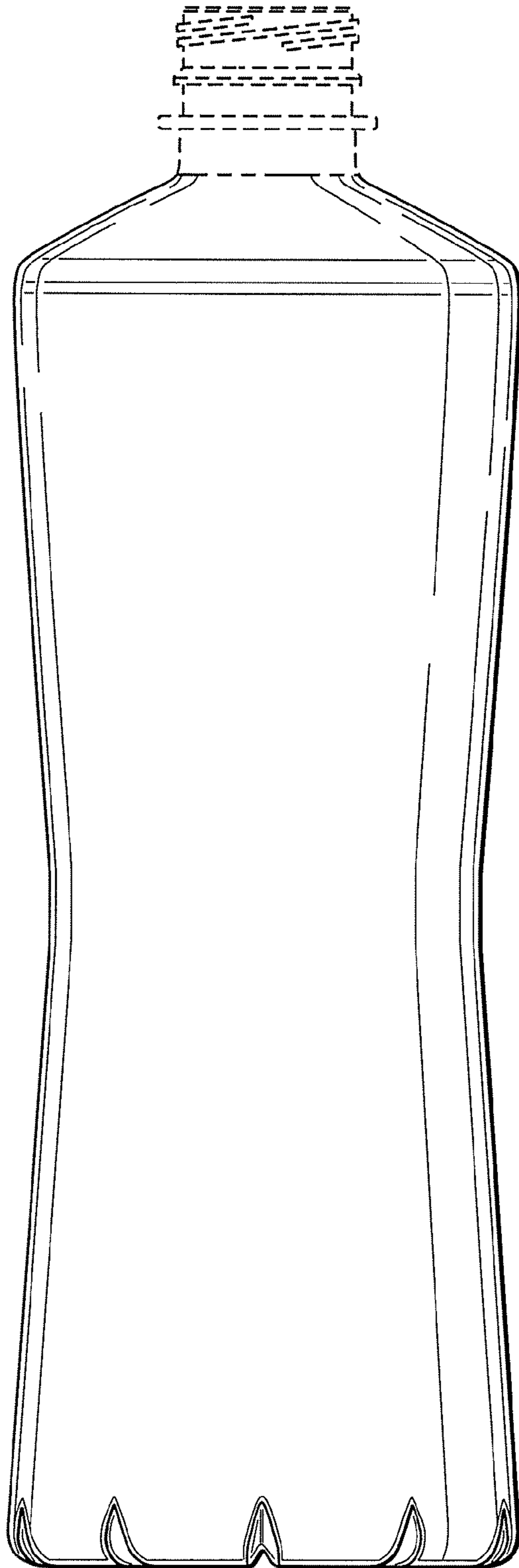


Fig. 9

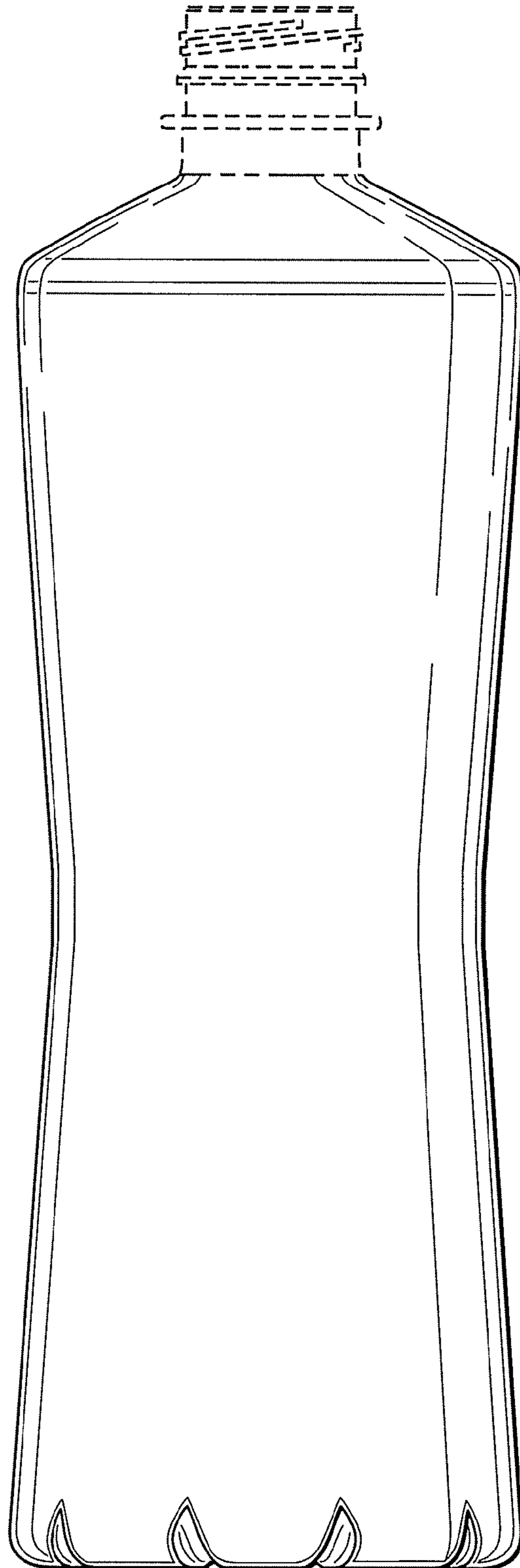


Fig. 10

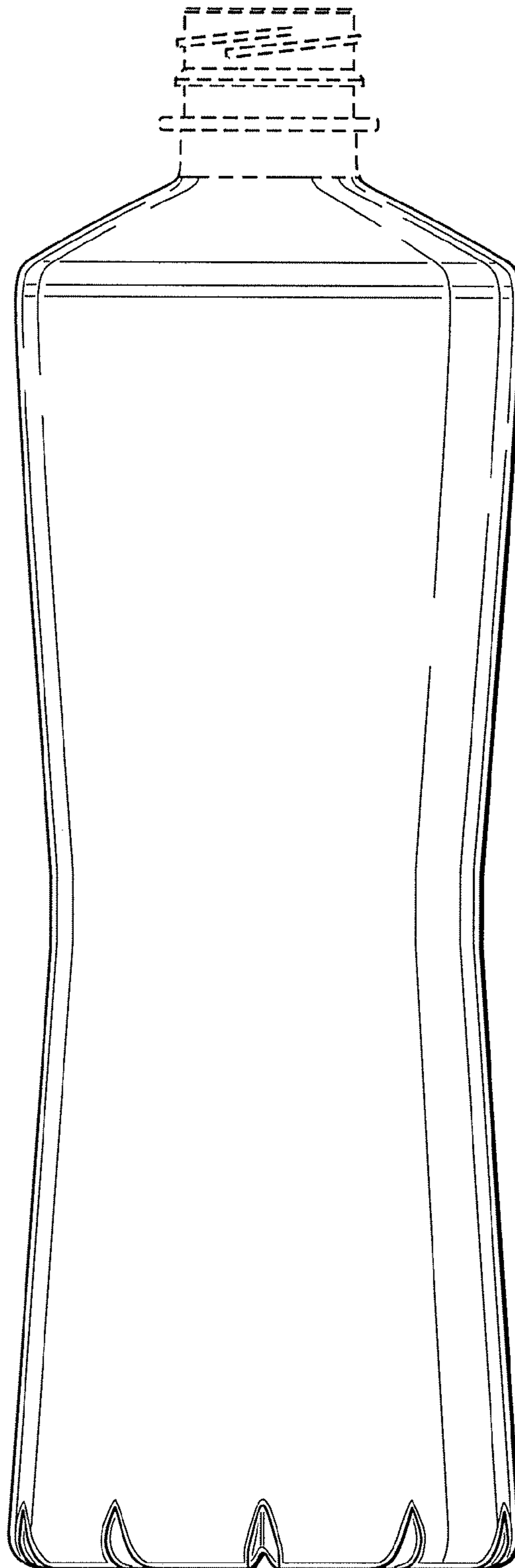


Fig. 11

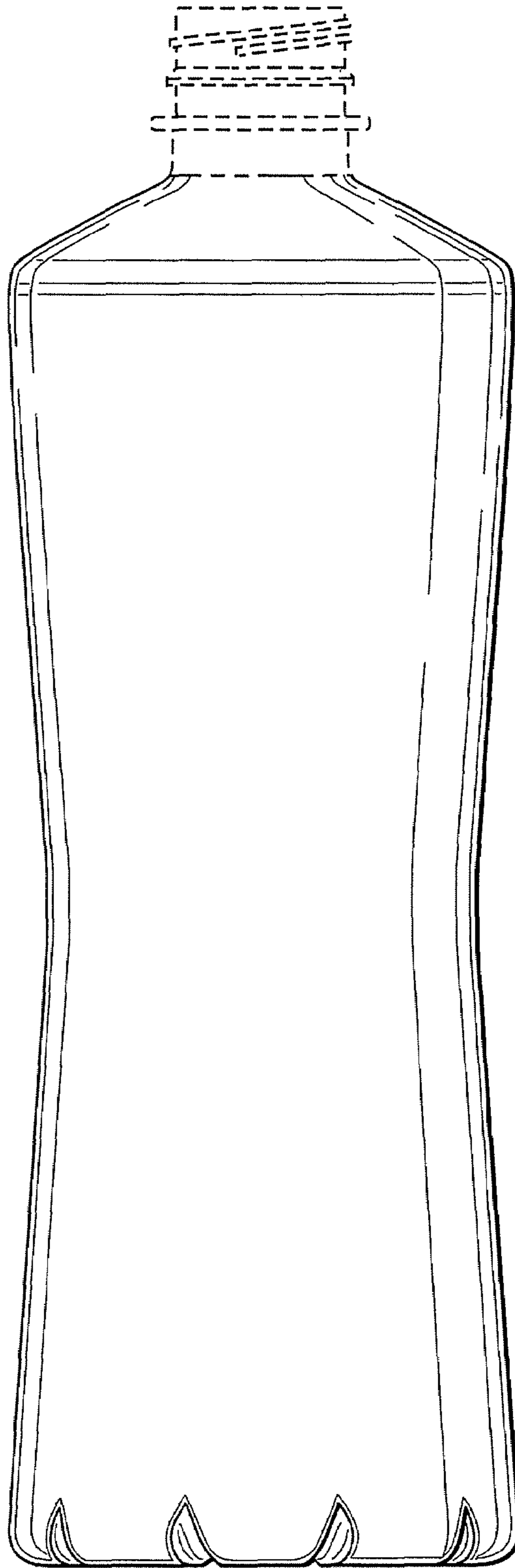


Fig. 12

