



US00D590265S

(12) **United States Design Patent**
Lablaine

(10) **Patent No.:** **US D590,265 S**
(45) **Date of Patent:** **** Apr. 14, 2009**

(54) **BOTTLE**

(75) Inventor: **Nicolas Lablaine**, Chartres (FR)

(73) Assignee: **Reckitt Benckiser N.V.**, Hoofddorp (NL)

(**) Term: **14 Years**

(21) Appl. No.: **29/276,869**

(22) Filed: **Feb. 8, 2007**

(30) **Foreign Application Priority Data**

Aug. 8, 2006 (EM) 000573712-0001

(51) **LOC (9) Cl.** **09-01**

(52) **U.S. Cl.** **D9/541; D9/543; D9/564; D9/565**

(58) **Field of Classification Search** D9/516, D9/530, 537-543, 549, 552, 564-565, 574, D9/600; D21/447-458; D23/379; 215/382-384; 222/212; 446/217, 236

See application file for complete search history.

(56) **References Cited**

U.S. PATENT DOCUMENTS

1,549,110	A *	8/1925	Greger	446/217
1,769,784	A *	7/1930	Hoppe	446/217
D102,283	S *	12/1936	Marrow	D9/539
2,510,336	A *	6/1950	Donahue	446/217
D169,111	S *	3/1953	Smith	D9/542
D210,650	S *	4/1968	Douglas	D9/530
D222,611	S *	11/1971	Strand	D9/542
D257,364	S *	10/1980	Molenaar	D21/458
D259,246	S *	5/1981	Brandt et al.	D9/542
4,349,134	A *	9/1982	Schuster et al.	222/212
D273,732	S *	5/1984	Tiffany	D6/335
D281,616	S *	12/1985	McGuire	D21/457
D325,701	S *	4/1992	van Lit	D9/564

5,542,585	A *	8/1996	Peters et al.	222/531
5,836,800	A *	11/1998	Liu	446/236
D528,923	S *	9/2006	Nicoletti	D9/542
D541,660	S *	5/2007	Mayers	D9/574 X
D559,968	S *	1/2008	Lee et al.	D23/379
D570,692	S *	6/2008	Finn	D9/516

* cited by examiner

Primary Examiner—Carol Rademaker

(57) **CLAIM**

The ornamental design for a bottle, as shown and described.

DESCRIPTION

FIG. 1 is a top, front, and left side perspective view a first embodiment of a bottle according to the present invention;

FIG. 2 is a front elevational view thereof;

FIG. 3 is a rear elevational view thereof;

FIG. 4 right side elevational view thereof, the left side elevational view being a mirror image;

FIG. 5 top plan view thereof;

FIG. 6 is a bottom plan view thereof;

FIG. 7 is a top, front, and left side perspective view a second embodiment of a bottle according to the present invention;

FIG. 8 is a front elevational view thereof;

FIG. 9 is a rear elevational view thereof;

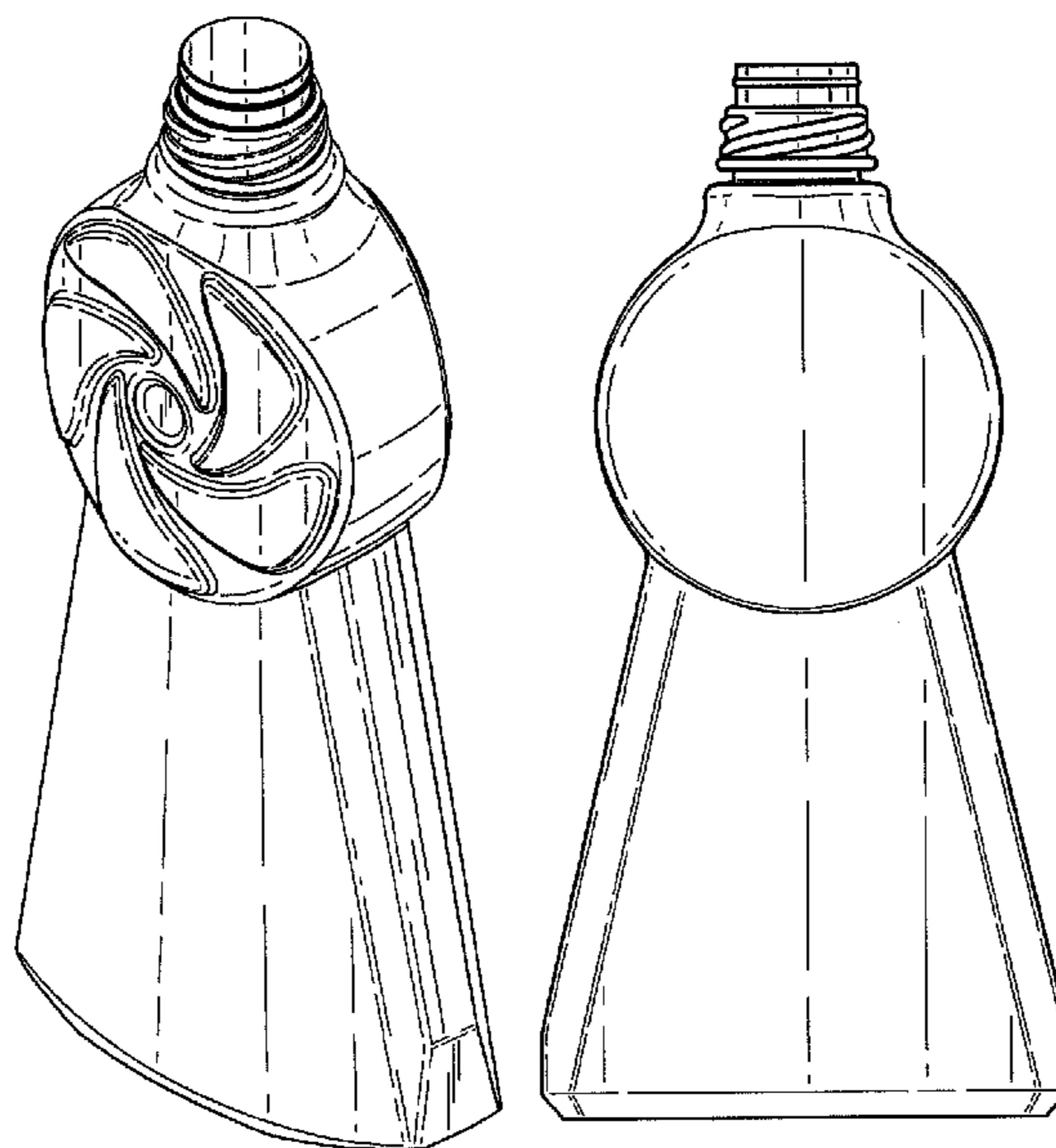
FIG. 10 right side elevational view thereof, the left side elevational view being a mirror image;

FIG. 11 top plan view thereof; and,

FIG. 12 is a bottom plan view thereof.

The broken lines shown in the drawing views are included for the purpose of showing environmental structure that forms no part of the claimed design.

1 Claim, 4 Drawing Sheets



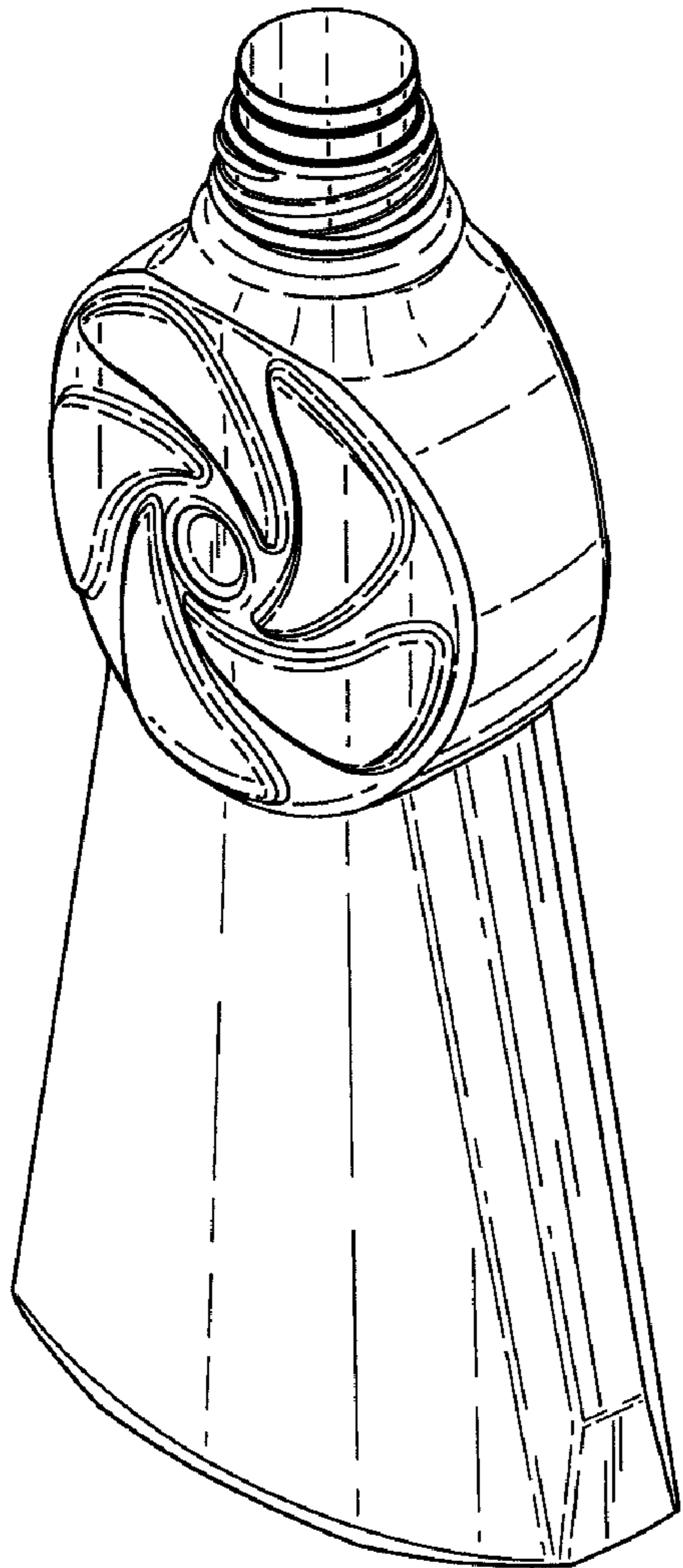


Fig. 1.

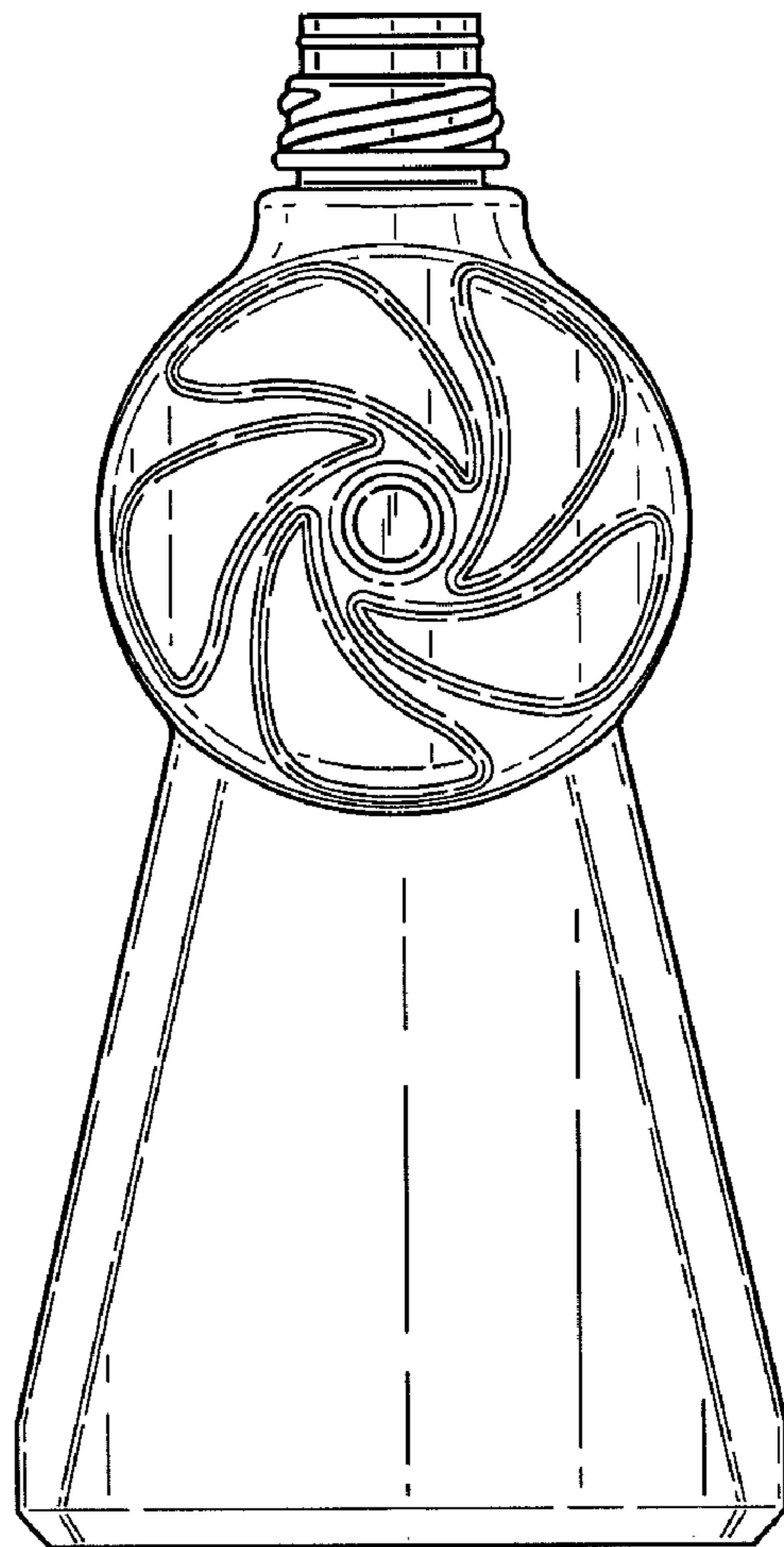


Fig. 2.

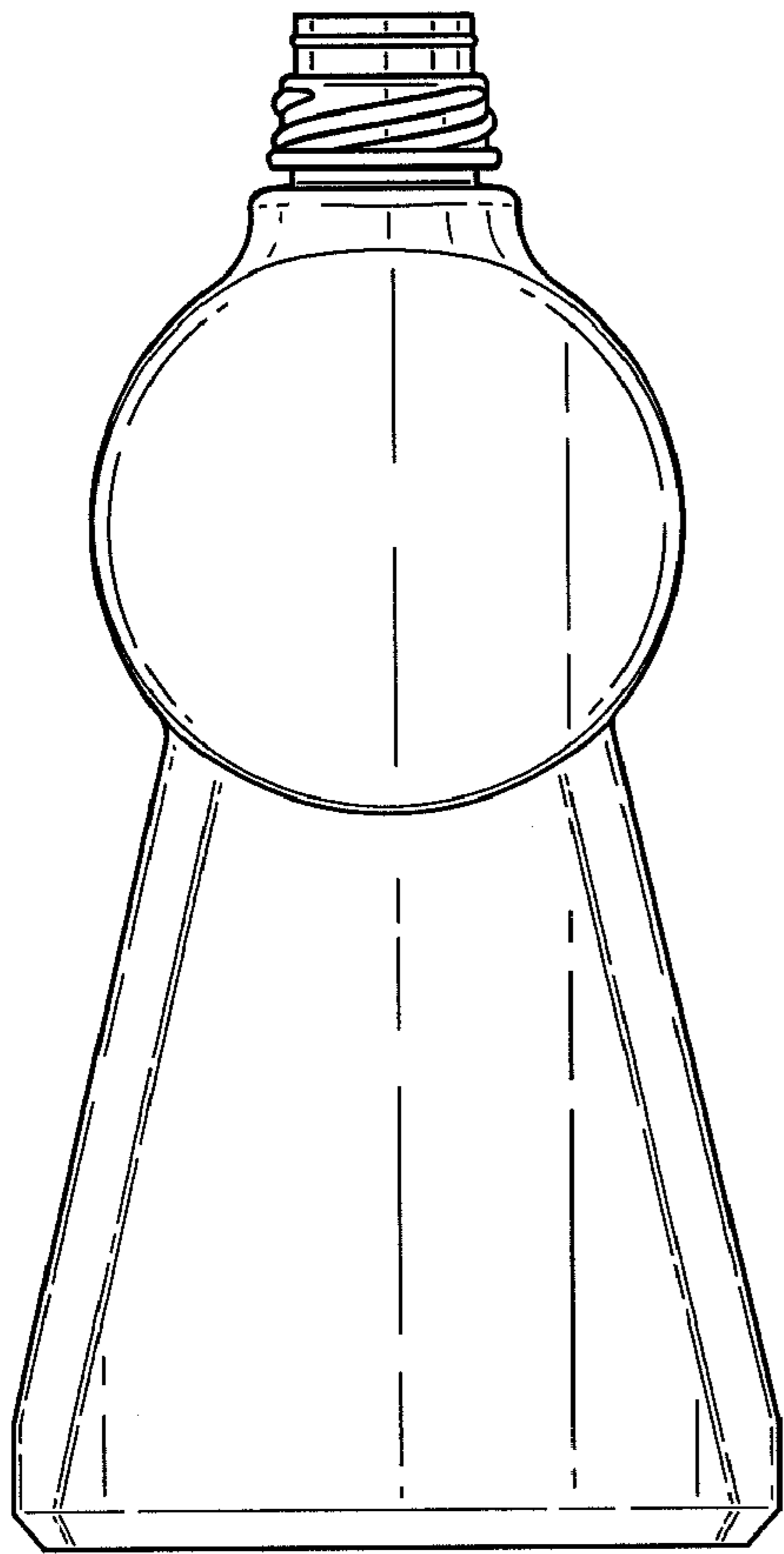


Fig.3.

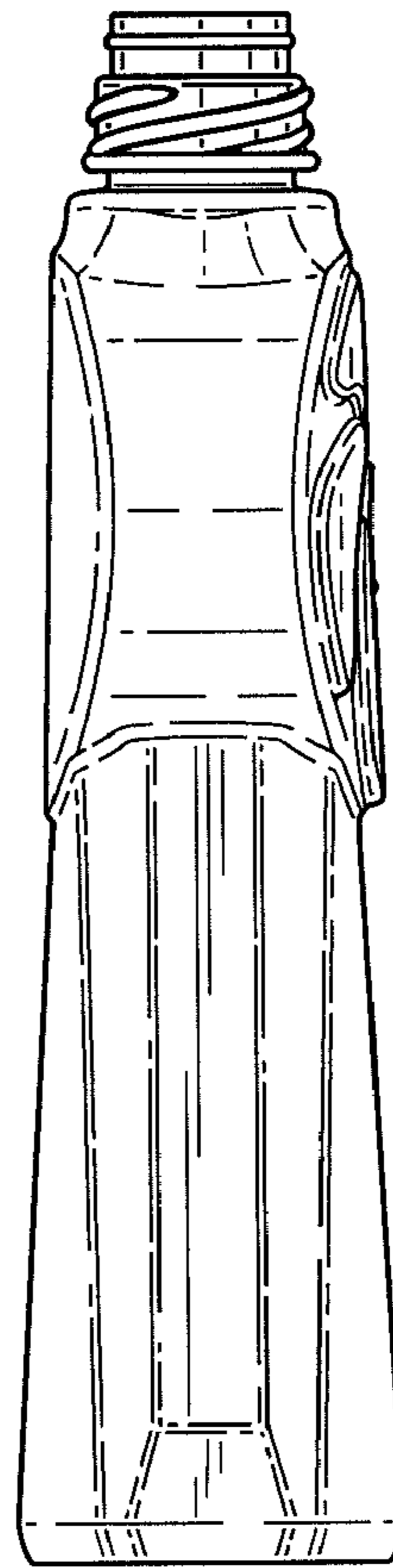


Fig.4.

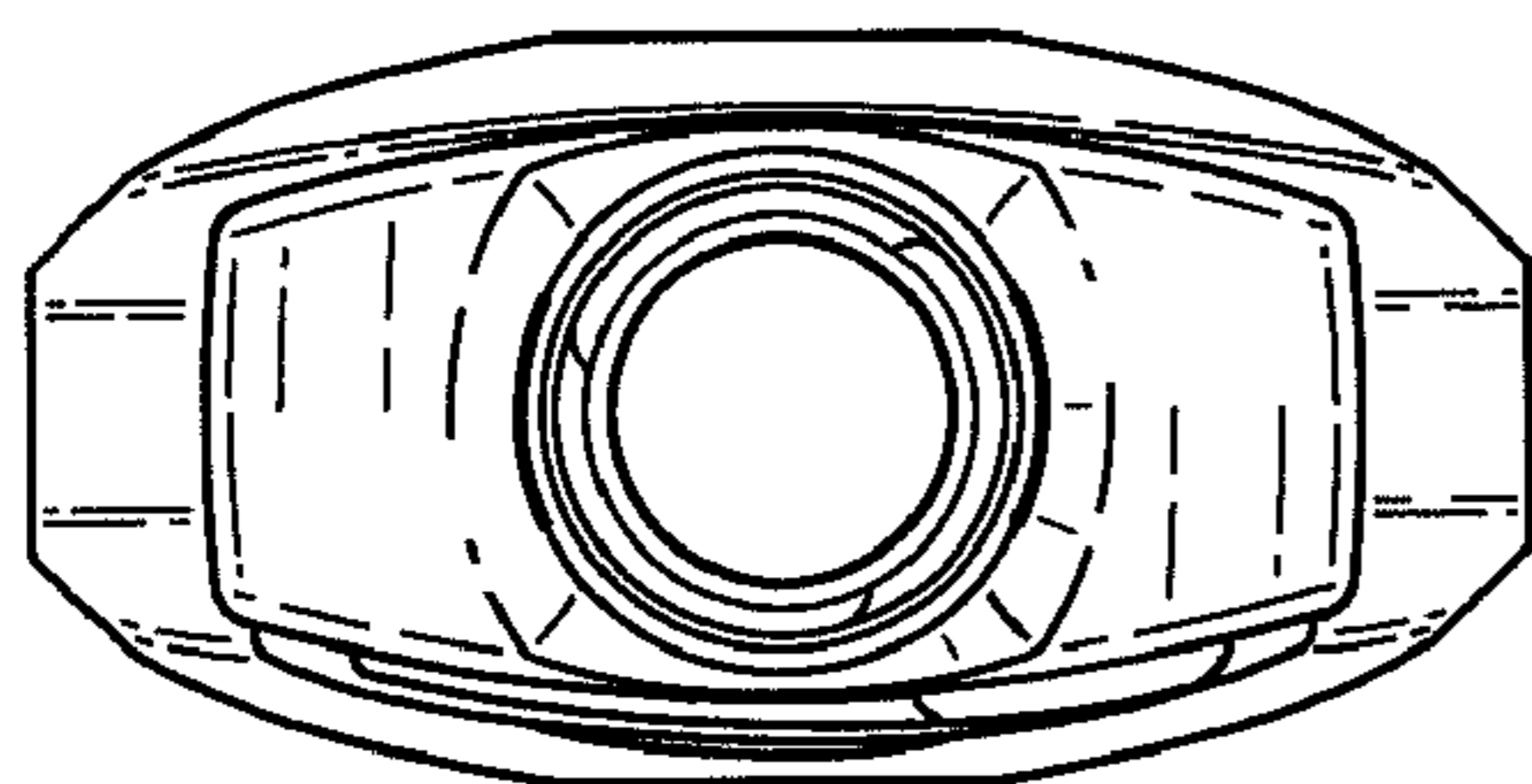


Fig.5.

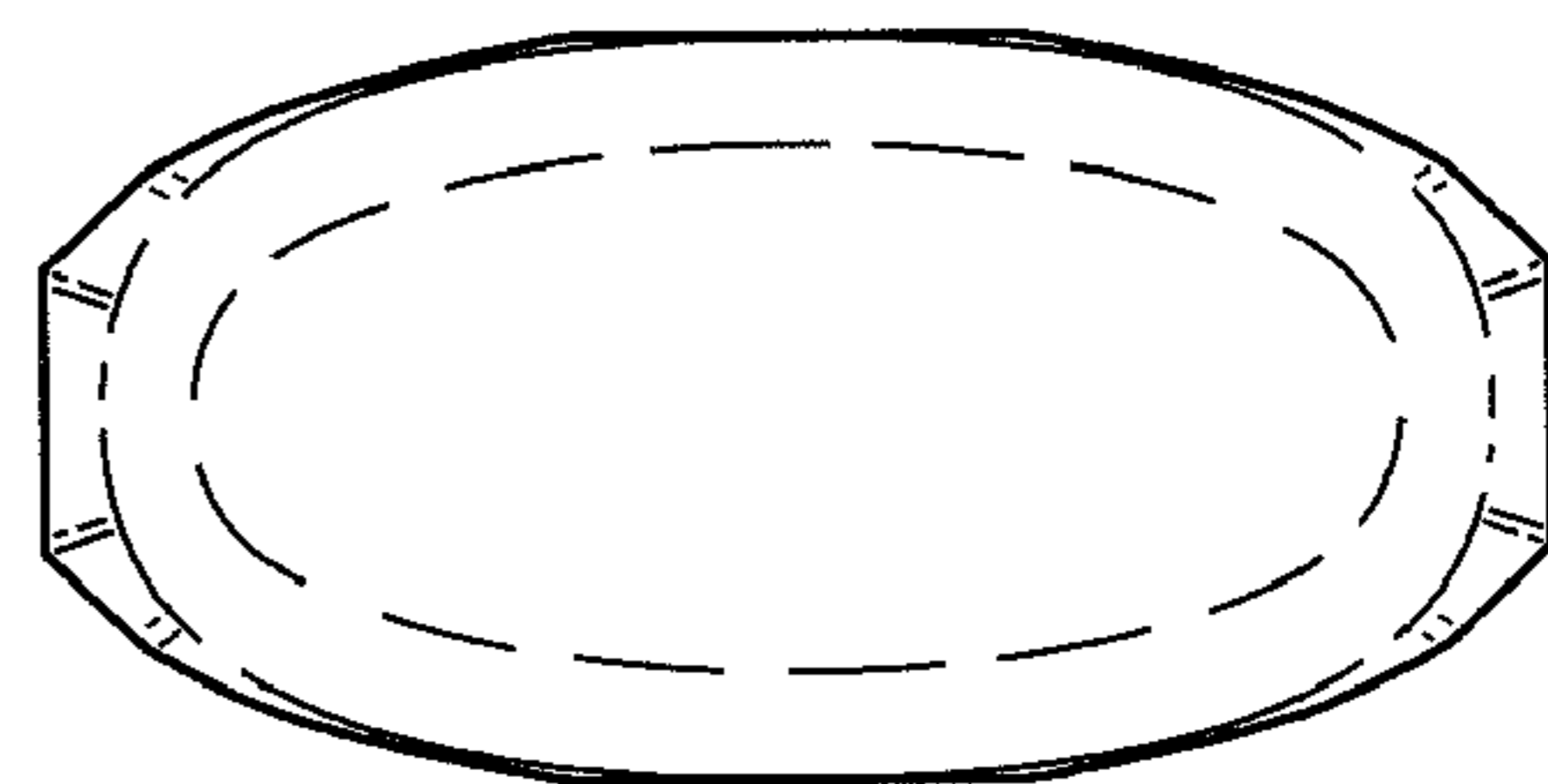


Fig.6.

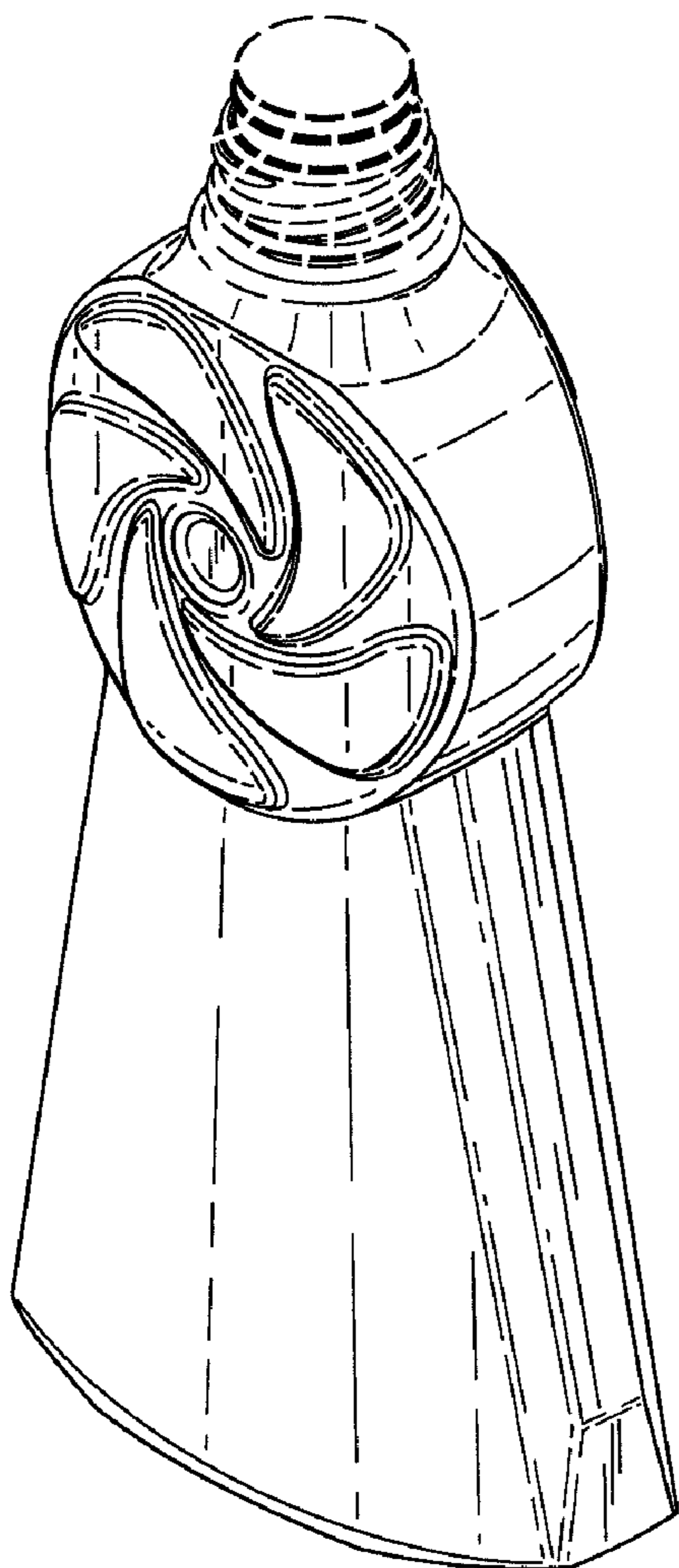


Fig.7.

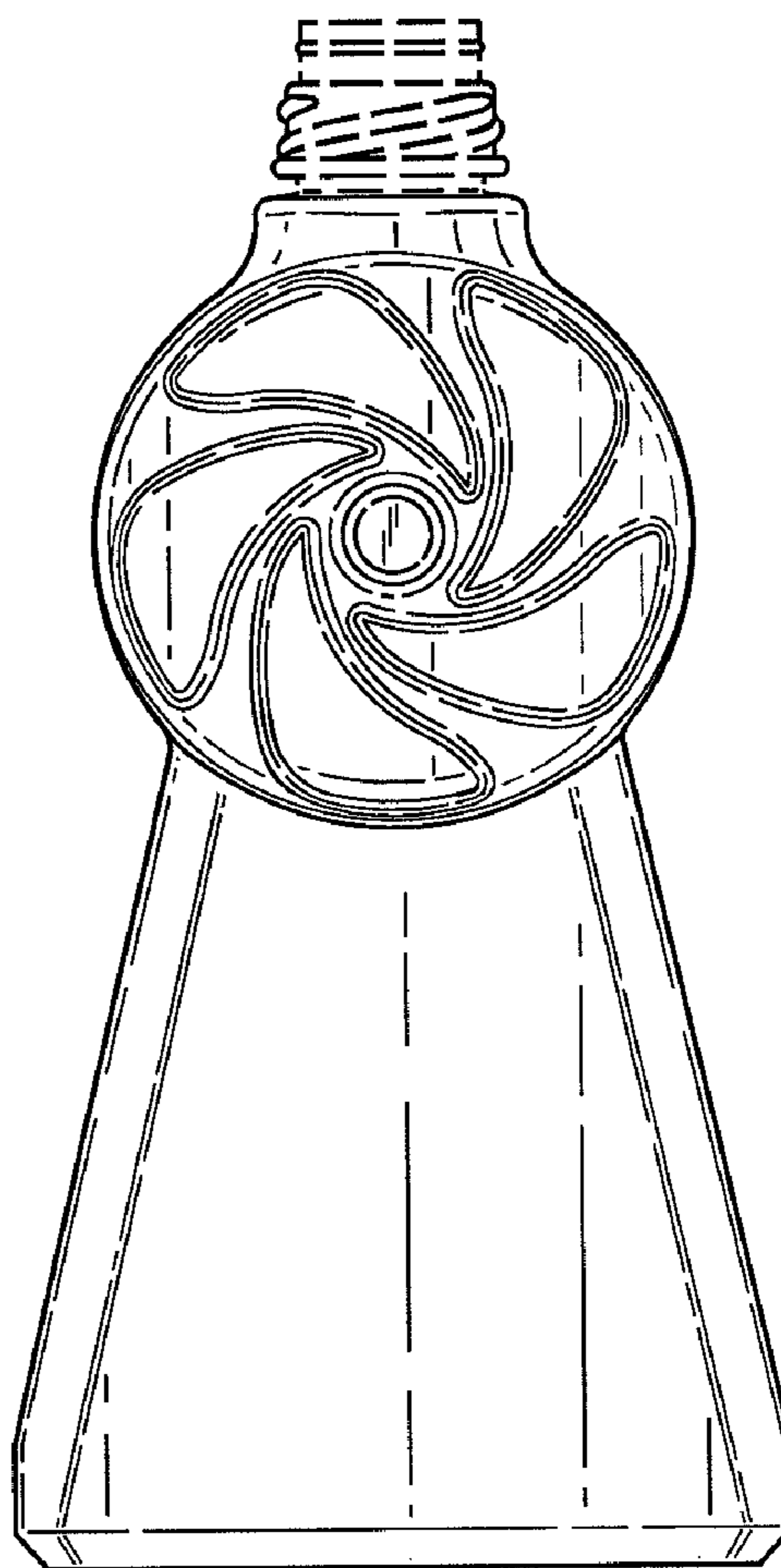


Fig.8.

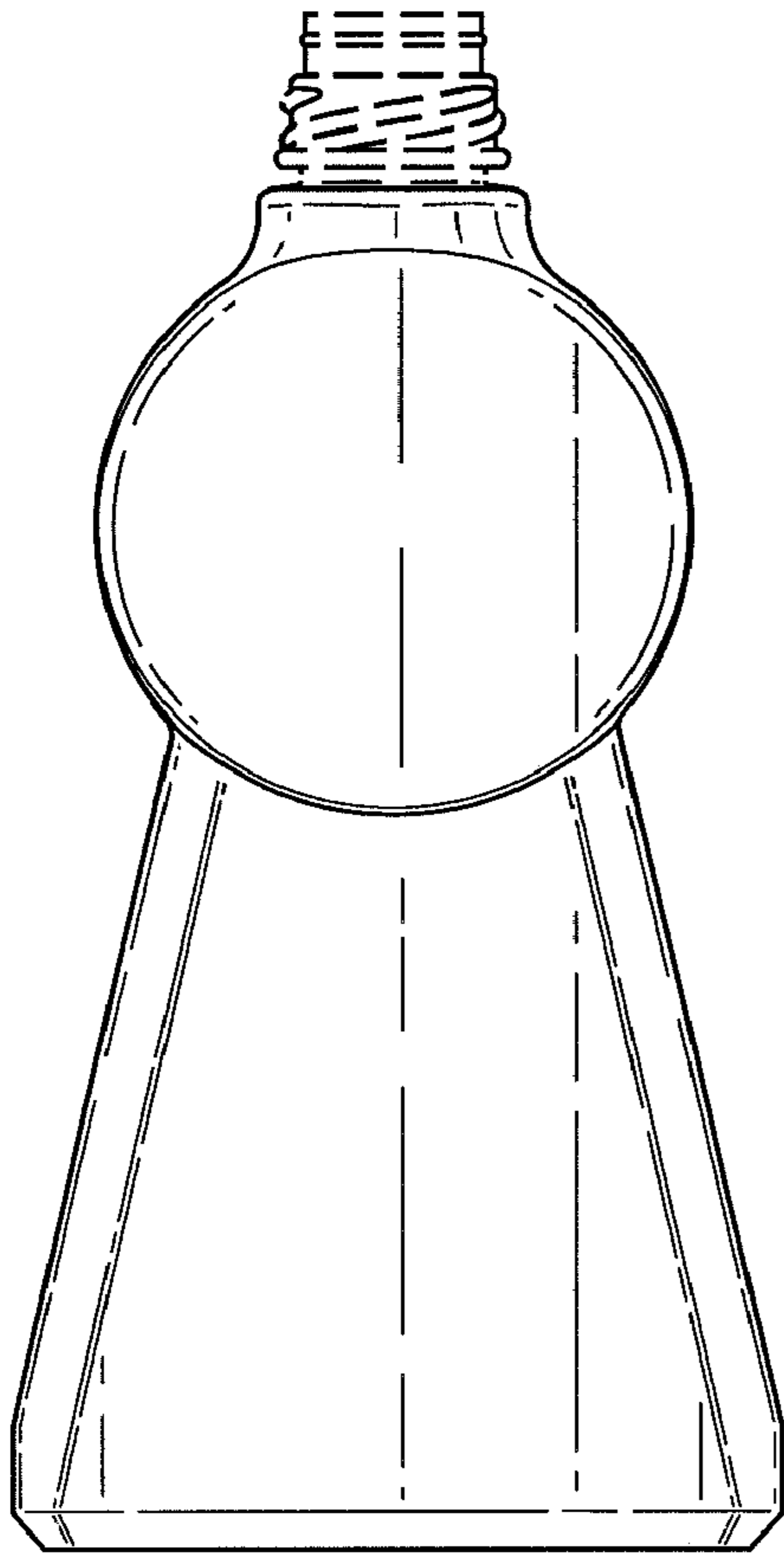


Fig. 9.

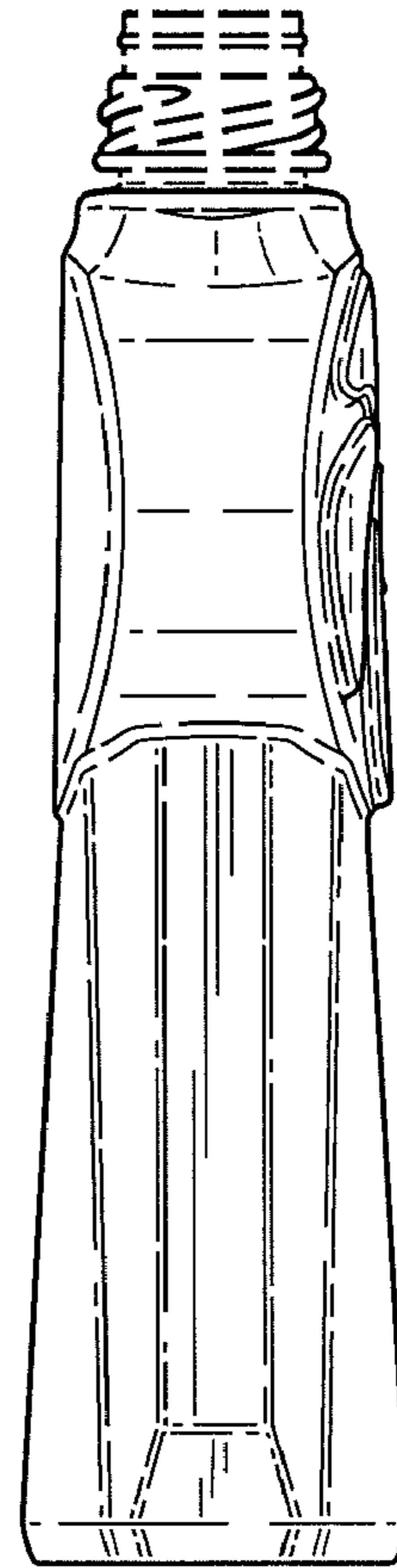


Fig. 10.

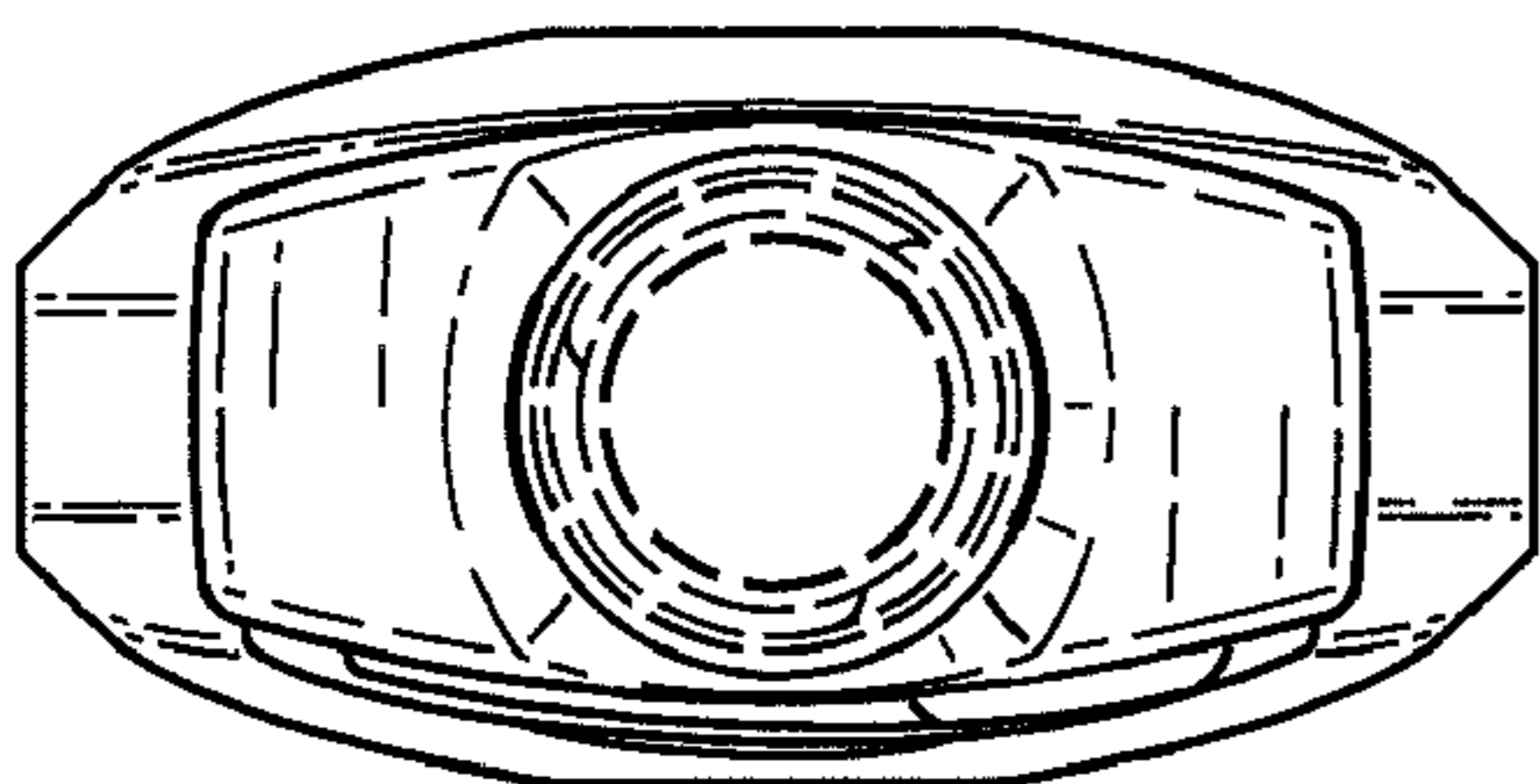


Fig. 11.

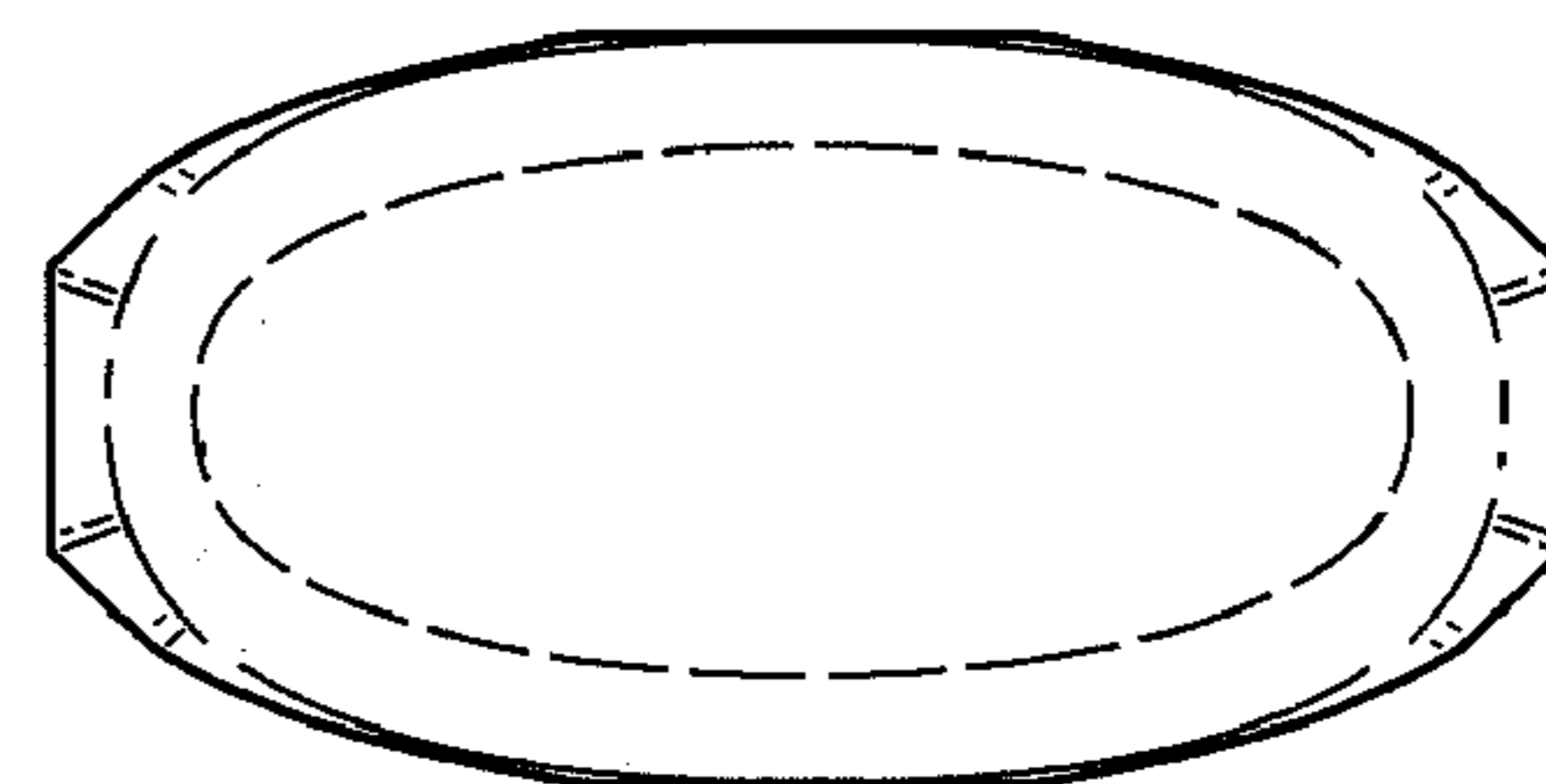


Fig. 12.