



US00D590264S

(12) **United States Design Patent**
Schwartz et al.

(10) **Patent No.:** **US D590,264 S**
(45) **Date of Patent:** **** Apr. 14, 2009**

(54) **CONTAINER**

(75) Inventors: **Keara Elyse Schwartz**, Cincinnati, OH (US); **Scott Perng-Juin Liu**, Cincinnati, OH (US); **Ivan Anderson Huber**, Cincinnati, OH (US); **Gregory Marie Ulrich de Swarte**, Cincinnati, OH (US)

(73) Assignee: **The Procter & Gamble Company**, Cincinnati, OH (US)

(**) Term: **14 Years**

(21) Appl. No.: **29/285,018**

(22) Filed: **Mar. 19, 2007**

(51) **LOC (9) Cl.** **09-01**

(52) **U.S. Cl.** **D9/529**

(58) **Field of Classification Search** D9/516–575,
D9/686–689, 500–504, 420, 434–436, 443,
D9/446, 447, 449; 215/379–385, 200, 228,
215/235, 305; 220/669–675, 608, 623, 660,
220/200, 213, 244, 248, 252, 254.1, 254.3,
220/810, 805

See application file for complete search history.

(56) **References Cited**

U.S. PATENT DOCUMENTS

D343,361 S * 1/1994 More D9/529
D382,811 S * 8/1997 Kotyuk et al. D9/542
D428,816 S * 8/2000 Shiokawa et al. D9/521
D488,382 S * 4/2004 Calello D9/521
D501,141 S * 1/2005 Bakic D9/521
D532,309 S * 11/2006 Stolle D9/529

D540,176 S * 4/2007 Flurer et al. D9/529
D541,661 S * 5/2007 Wang et al. D9/542
D543,115 S * 5/2007 Flurer et al. D9/529
7,328,788 B2 * 2/2008 Mahieu et al. 206/5.1
D576,494 S * 9/2008 Bakic D9/529
2005/0242095 A1 * 11/2005 Serrano et al. 220/254.3

FOREIGN PATENT DOCUMENTS

WO DM/060626 * 6/2002

* cited by examiner

Primary Examiner—Catherine Tuttle

(74) *Attorney, Agent, or Firm*—Idris N. McKelvey; Laura R. Grunzinger

(57) **CLAIM**

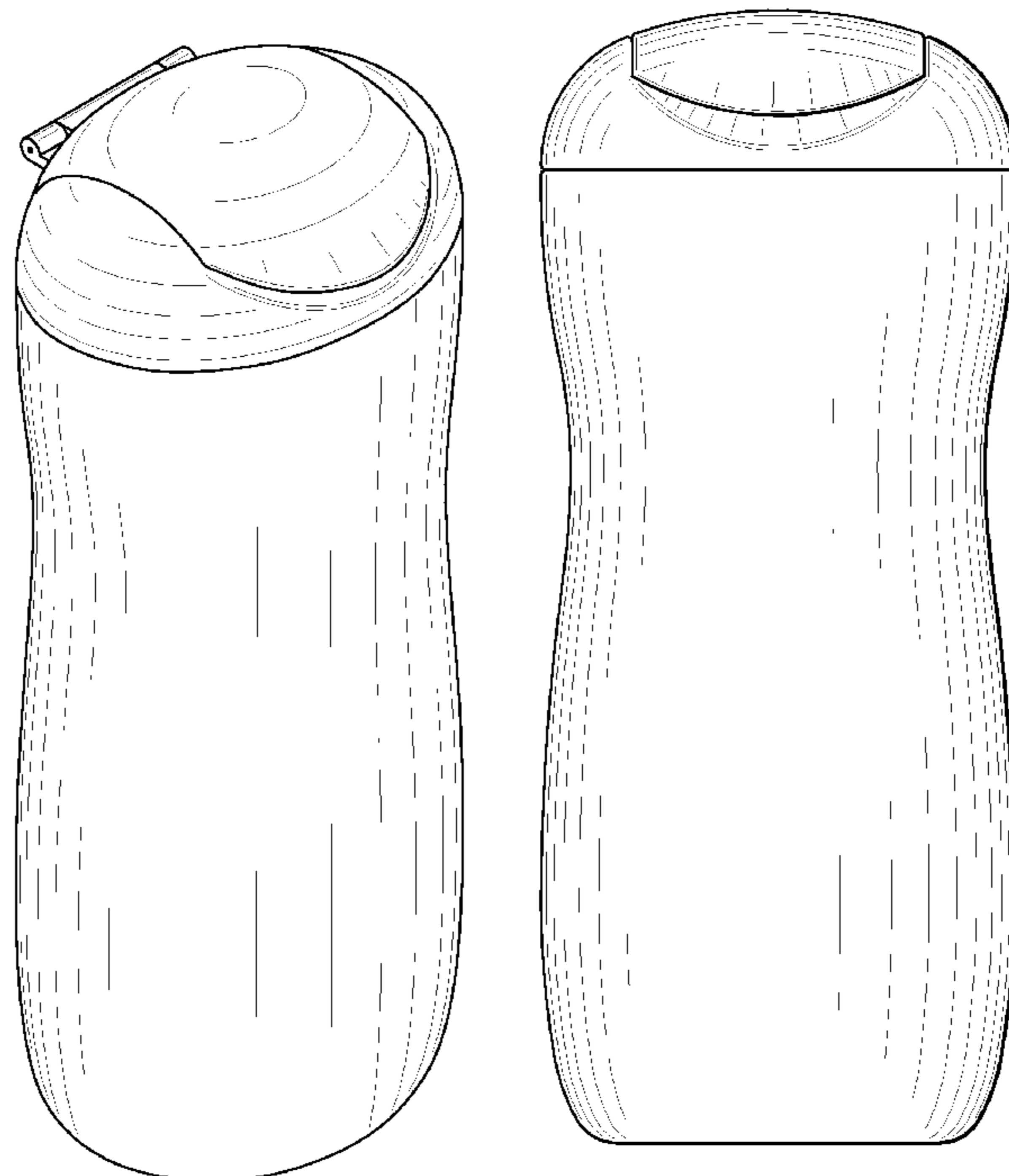
The ornamental design for a container, as shown and described.

DESCRIPTION

FIG. 1 is perspective view of the container;
FIG. 2 is a front view of the container;
FIG. 3 is a back view of the container;
FIG. 4 is a left side view of the container;
FIG. 5 is a right side view of the container;
FIG. 6 is a top view of the container; and,
FIG. 7 is a bottom view of the container.

The broken lines shown in FIG. 7 are included for the purpose of illustrating a portion of the container that forms no part of the claimed design.

1 Claim, 6 Drawing Sheets



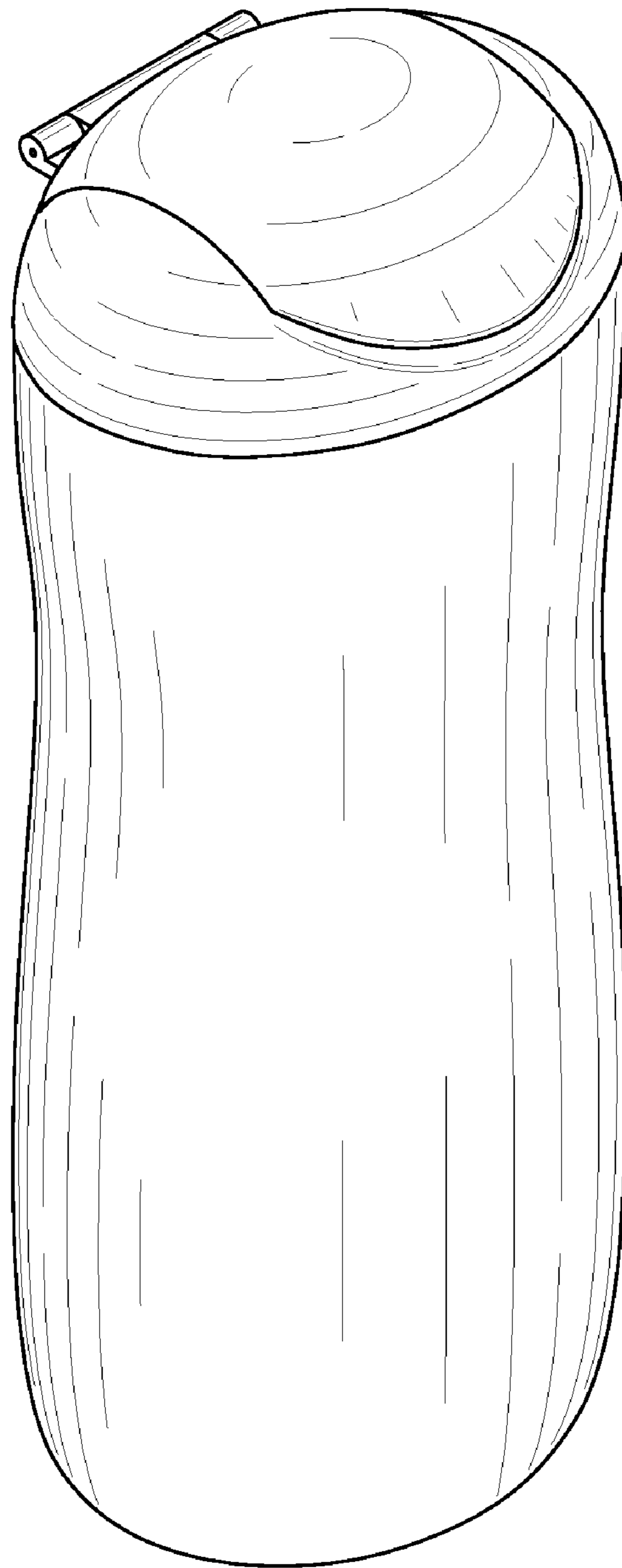


FIG. 1

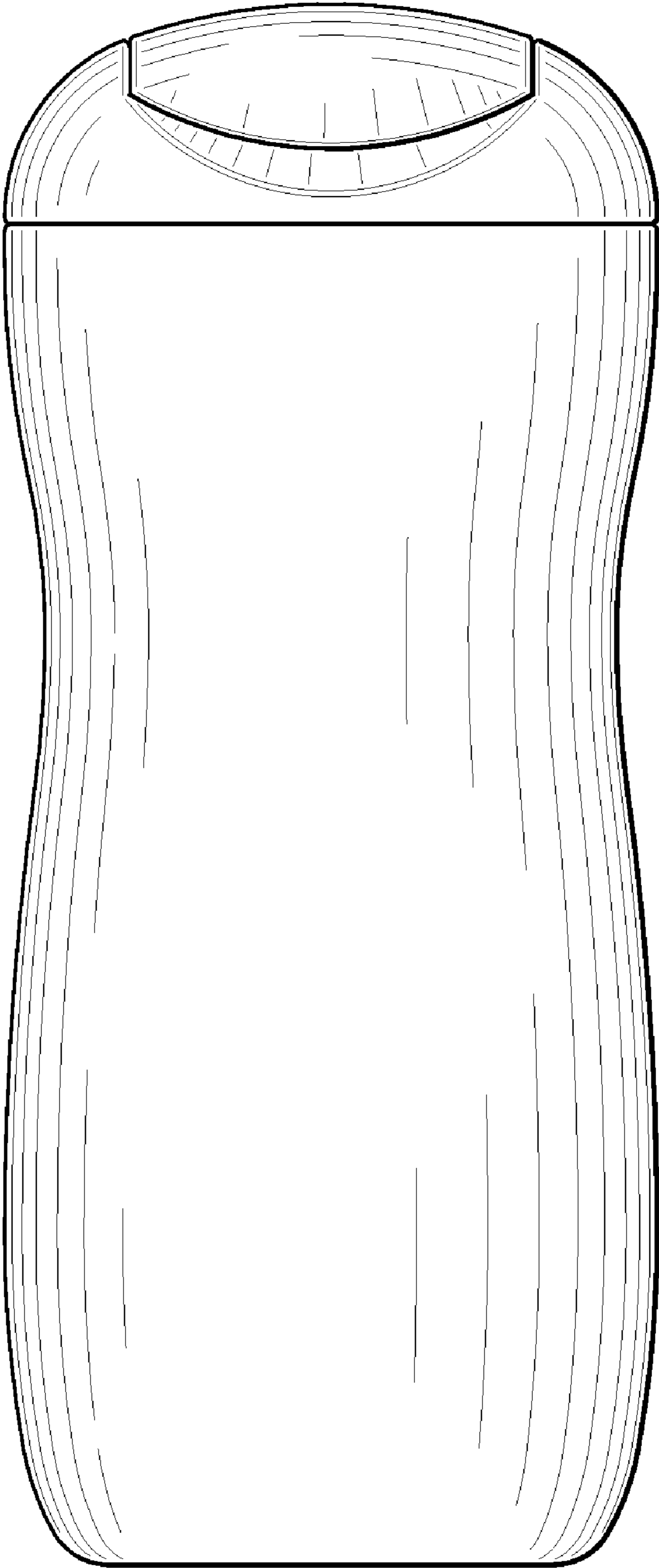


FIG. 2

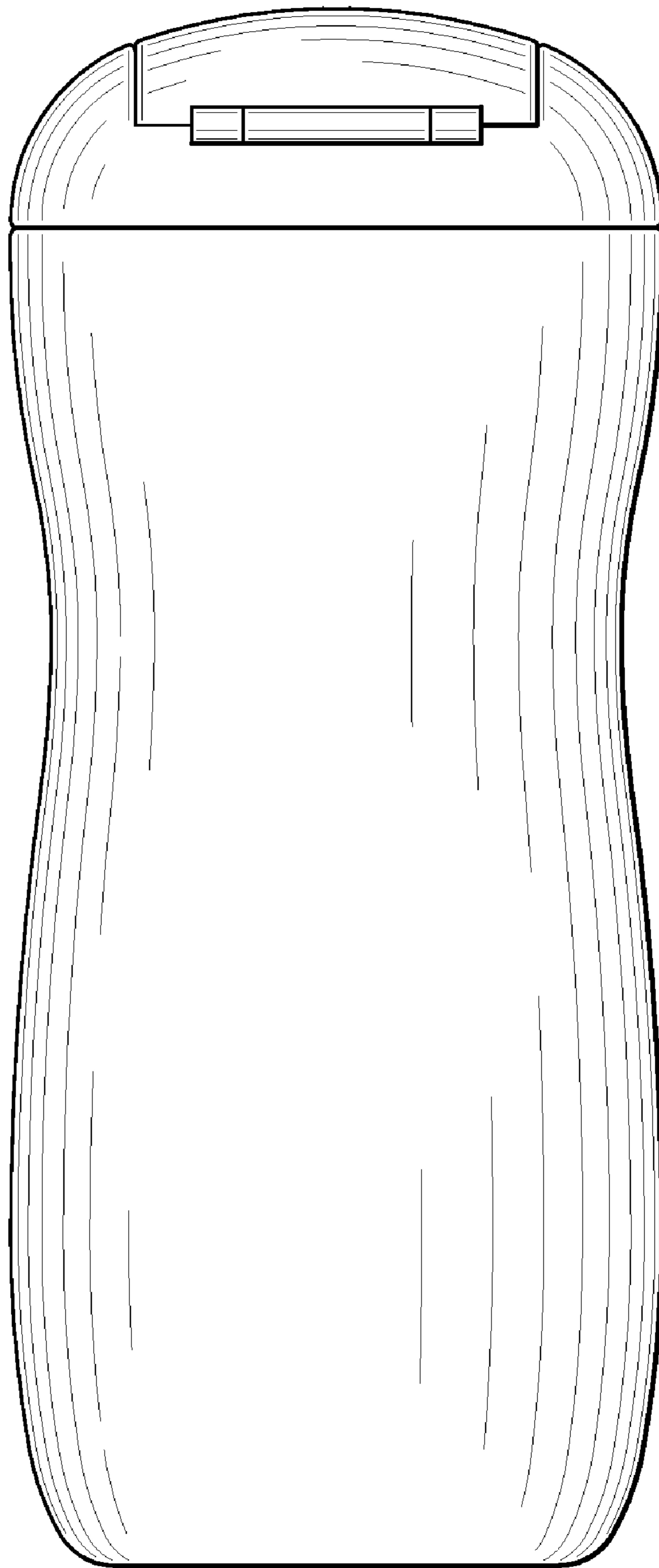


FIG. 3

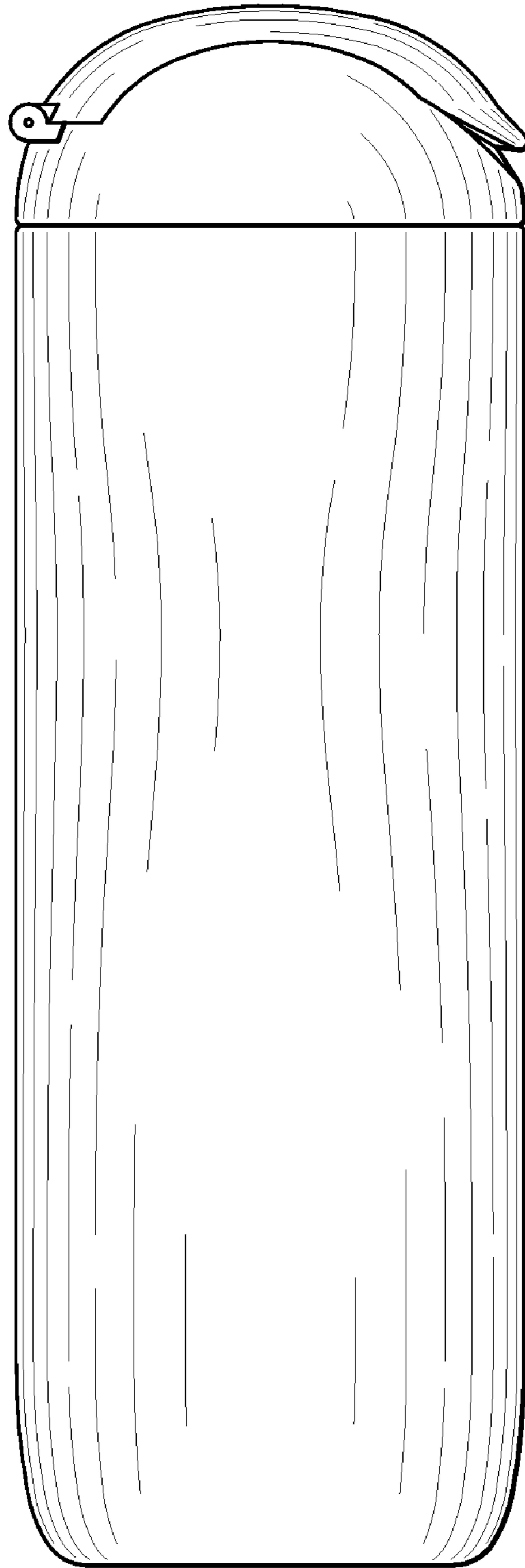


FIG. 4

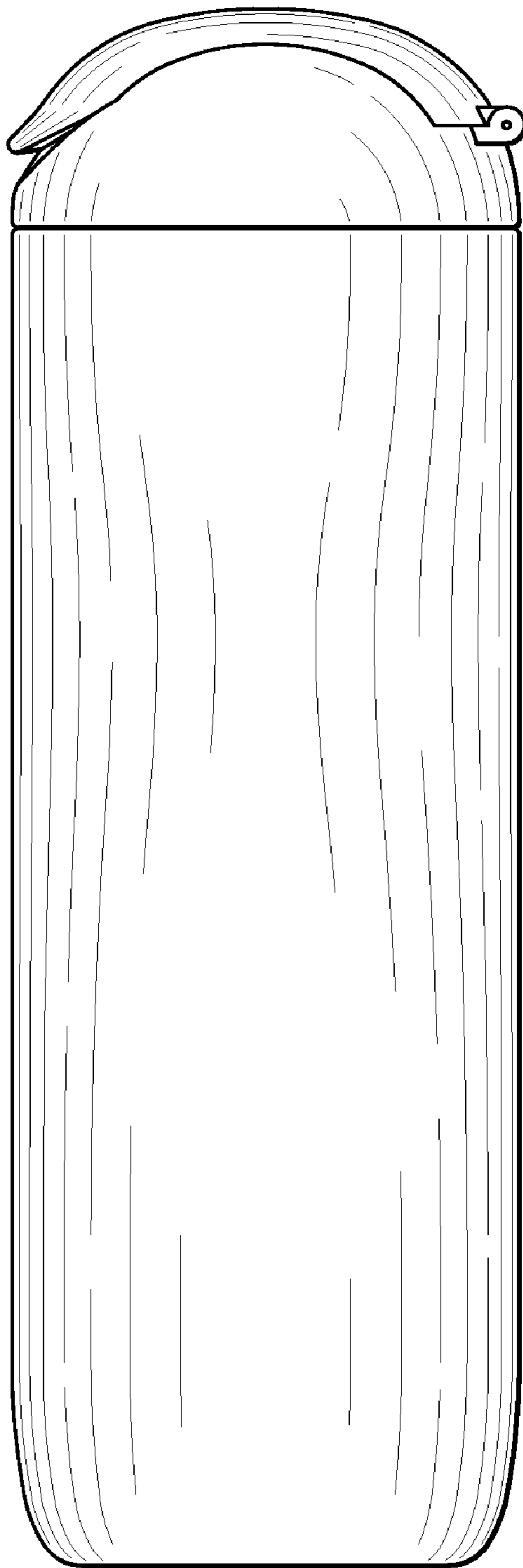


FIG. 5

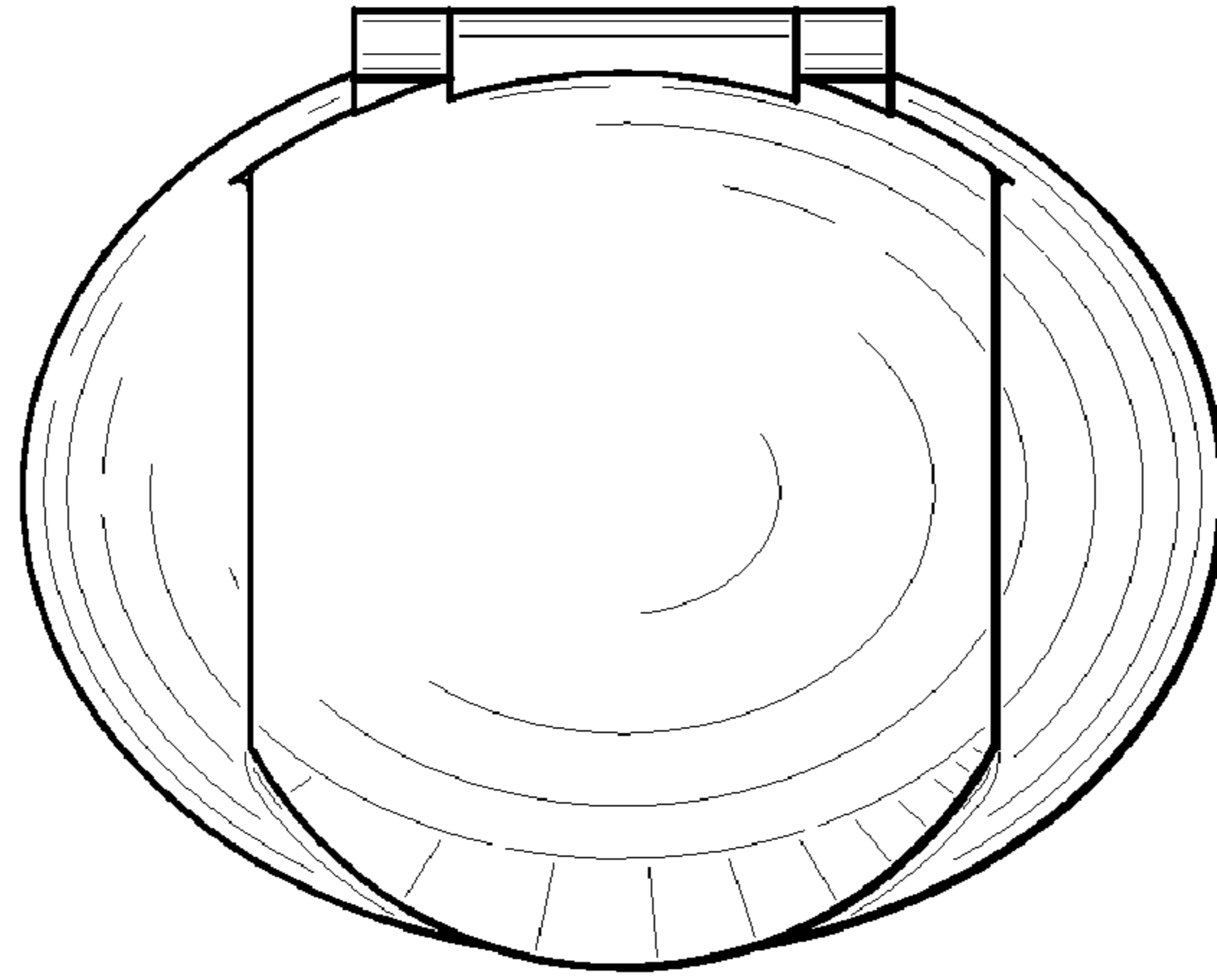


FIG. 6

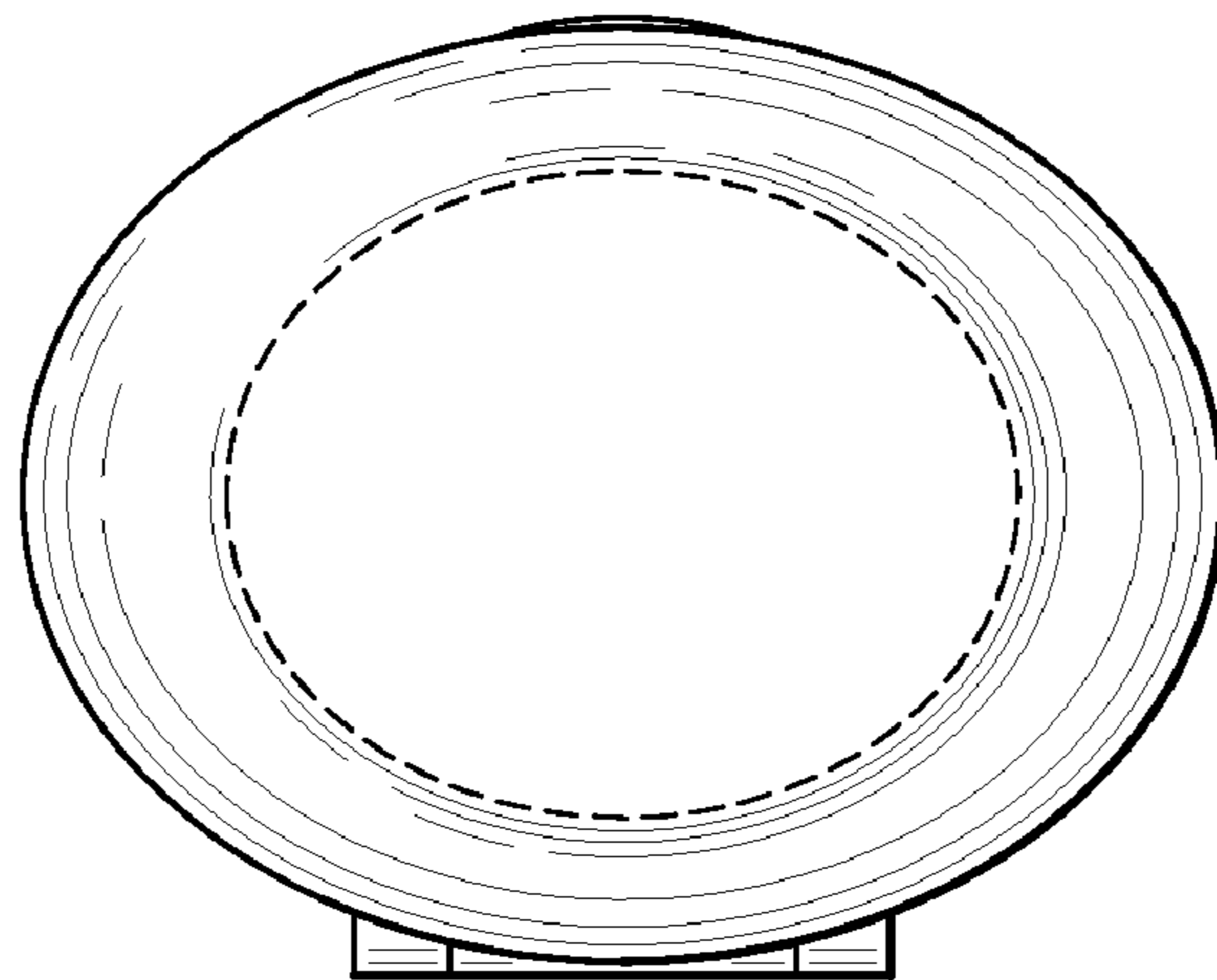


FIG. 7