



US00D590256S

(12) **United States Design Patent**  
**Welp et al.**

(10) **Patent No.:** **US D590,256 S**  
(45) **Date of Patent:** **\*\* Apr. 14, 2009**

(54) **TRIGGER SPRAYER SHROUD**

(75) Inventors: **Karl Gisbert Welp**, Sundern (DE);  
**Thomas Hohmann**, Iserlohn (DE)

(73) Assignee: **MeadWestvaco Corporation**, Glen  
Allen, VA (US)

(\*\*) Term: **14 Years**

(21) Appl. No.: **29/304,074**

(22) Filed: **Feb. 25, 2008**

**Related U.S. Application Data**

(63) Continuation-in-part of application No. 29/284,068,  
filed on Aug. 30, 2007, now Pat. No. Des. 567,083.

(51) **LOC (9) Cl.** ..... **09-07**

(52) **U.S. Cl.** ..... **D9/448**

(58) **Field of Classification Search** ..... D9/686,  
D9/685, 682, 448; D8/51; D23/226, 213;  
417/411; 401/190; 239/337, 120; 222/402.11,  
222/383.3, 383.1, 323, 179.5, 109.1  
See application file for complete search history.

(56) **References Cited**

**U.S. PATENT DOCUMENTS**

D358,198 S *	5/1995	Wadsworth	.....	D23/226
D366,692 S *	1/1996	Wadsworth	.....	D23/213
D377,602 S *	1/1997	Wadsworth	.....	D9/448
D381,581 S *	7/1997	Wadsworth	.....	D9/448
D409,915 S *	5/1999	Durliat et al.	.....	D9/448
D409,917 S *	5/1999	Wadsworth et al.	.....	D9/448
D423,934 S *	5/2000	Brozell	.....	D9/448
D442,088 S *	5/2001	Trepina et al.	.....	D9/448
D520,872 S *	5/2006	Paas et al.	.....	D9/448
D569,248 S *	5/2008	Seum et al.	.....	D9/448
D569,725 S *	5/2008	Adamson et al.	.....	D9/448

D570,215 S *	6/2008	Arminak	.....	D9/448
D579,329 S *	10/2008	Sweeton et al.	.....	D9/448
D579,330 S *	10/2008	Sweeton et al.	.....	D9/448
2005/0082311 A1 *	4/2005	Good et al.	.....	222/1

\* cited by examiner

*Primary Examiner*—Susan B Hattan

(74) *Attorney, Agent, or Firm*—Gordon & Jacobson, PC

(57) **CLAIM**

The ornamental design for a trigger sprayer shroud, as shown and described.

**DESCRIPTION**

FIG. 1 is a perspective view of a trigger sprayer shroud showing our new design.

FIG. 2 is a rear view of the trigger sprayer shroud shown in FIG. 1.

FIG. 3 is a perspective view of the trigger sprayer shroud shown in FIG. 1.

FIG. 4 is a front view of the trigger sprayer shroud shown in FIG. 1.

FIG. 5 is a top view of the trigger sprayer shroud shown in FIG. 1.

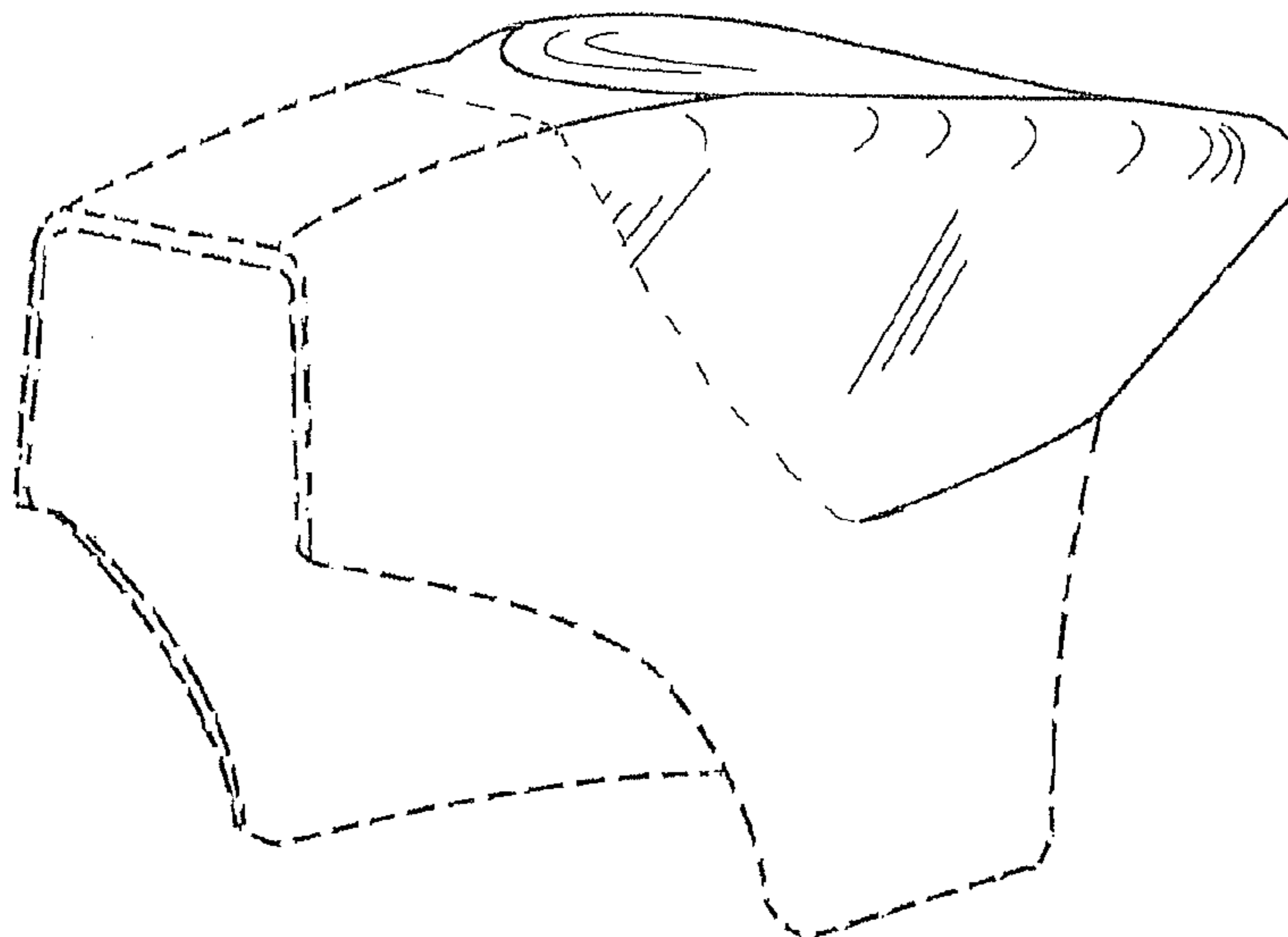
FIG. 6 is a bottom view of the trigger sprayer shroud shown in FIG. 1.

FIG. 7 is a side view of the trigger sprayer shroud shown in FIG. 1; and,

FIG. 8 is a side view of the trigger sprayer shroud shown in FIG. 1.

The broken lines immediately adjacent to the shaded areas represent the bounds of the claim. All other broken lines depict environmental subject matter. None of the broken lines form a part of the claimed design.

**1 Claim, 4 Drawing Sheets**



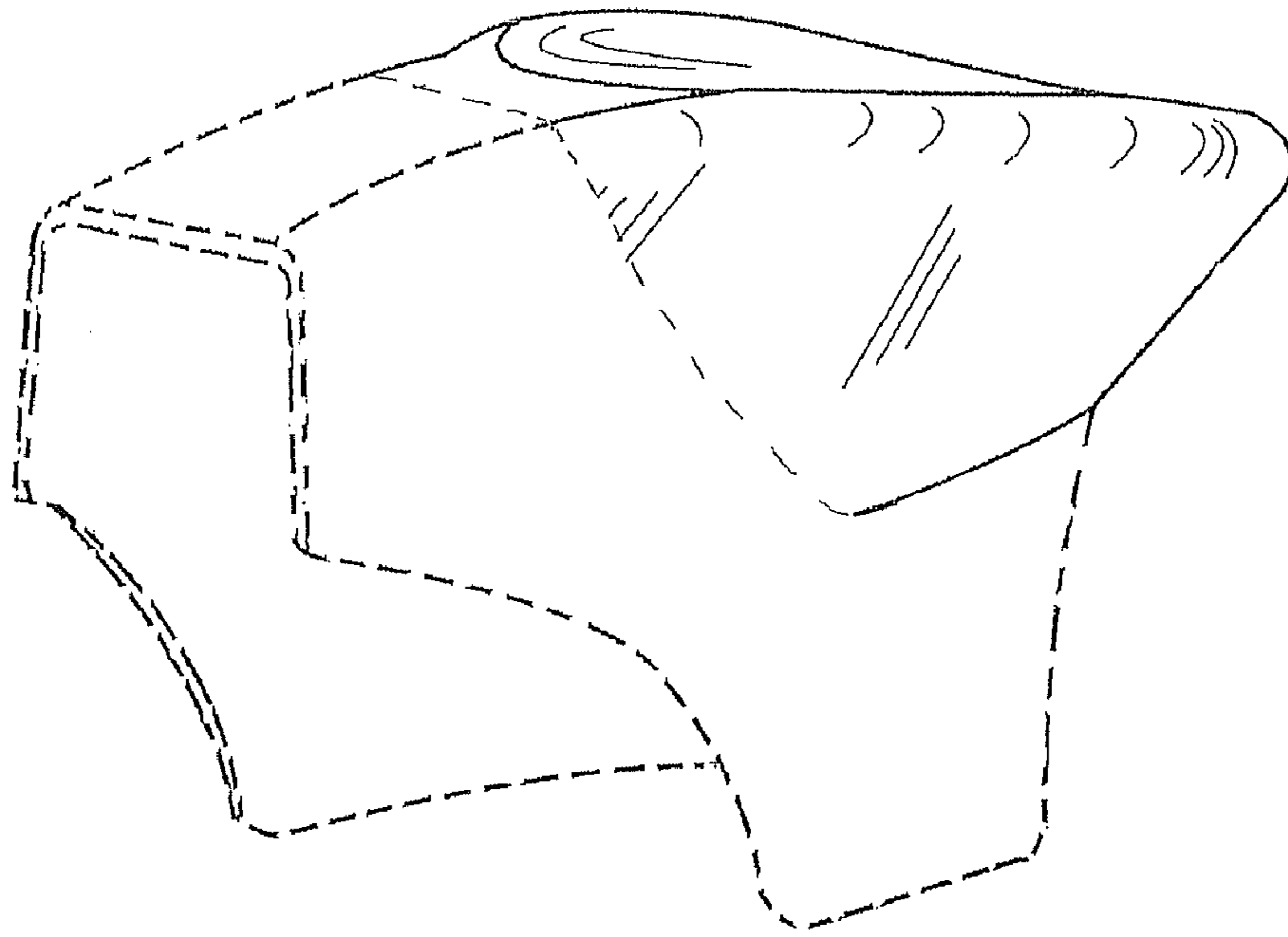


FIG. 1

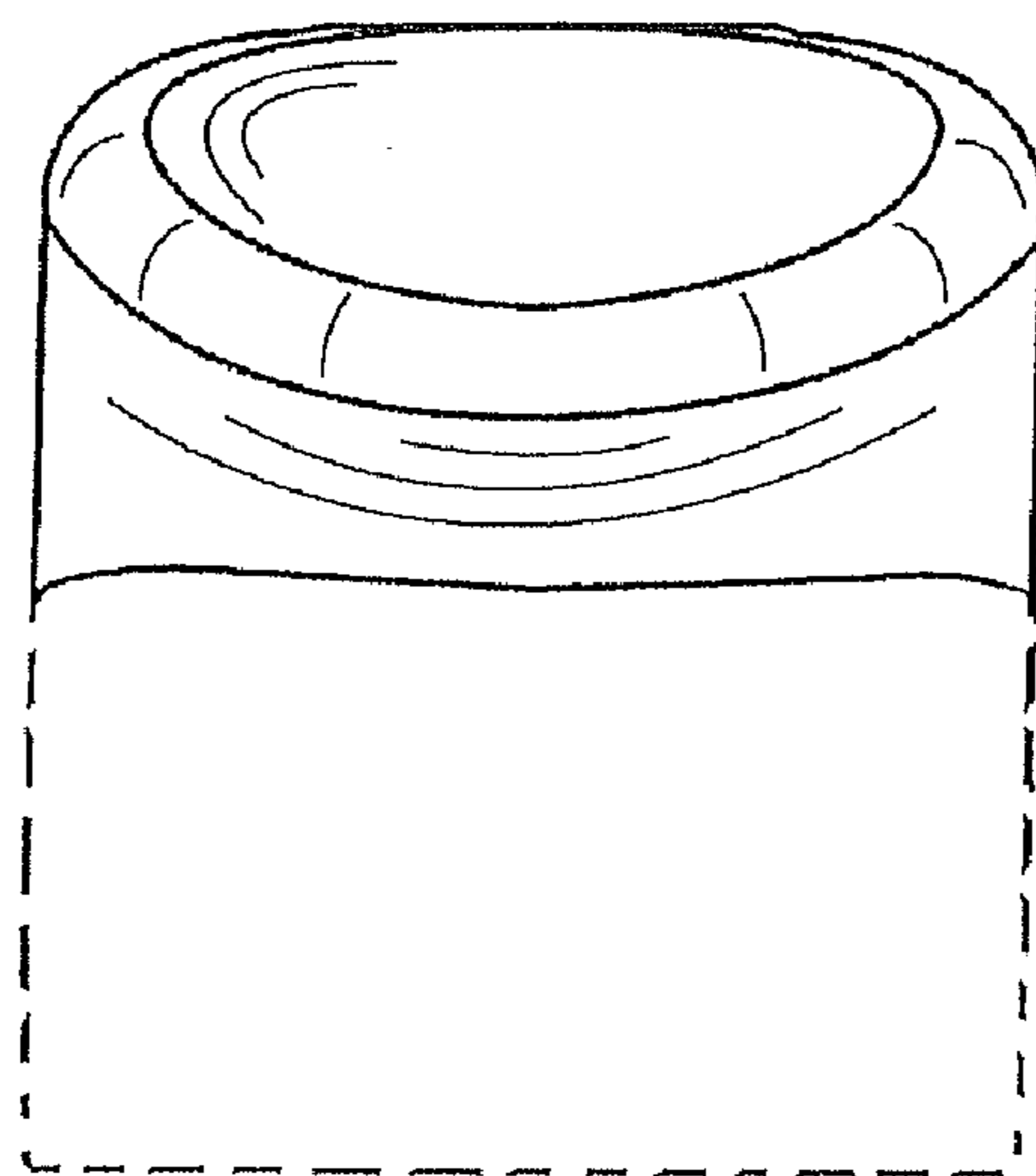


FIG. 2

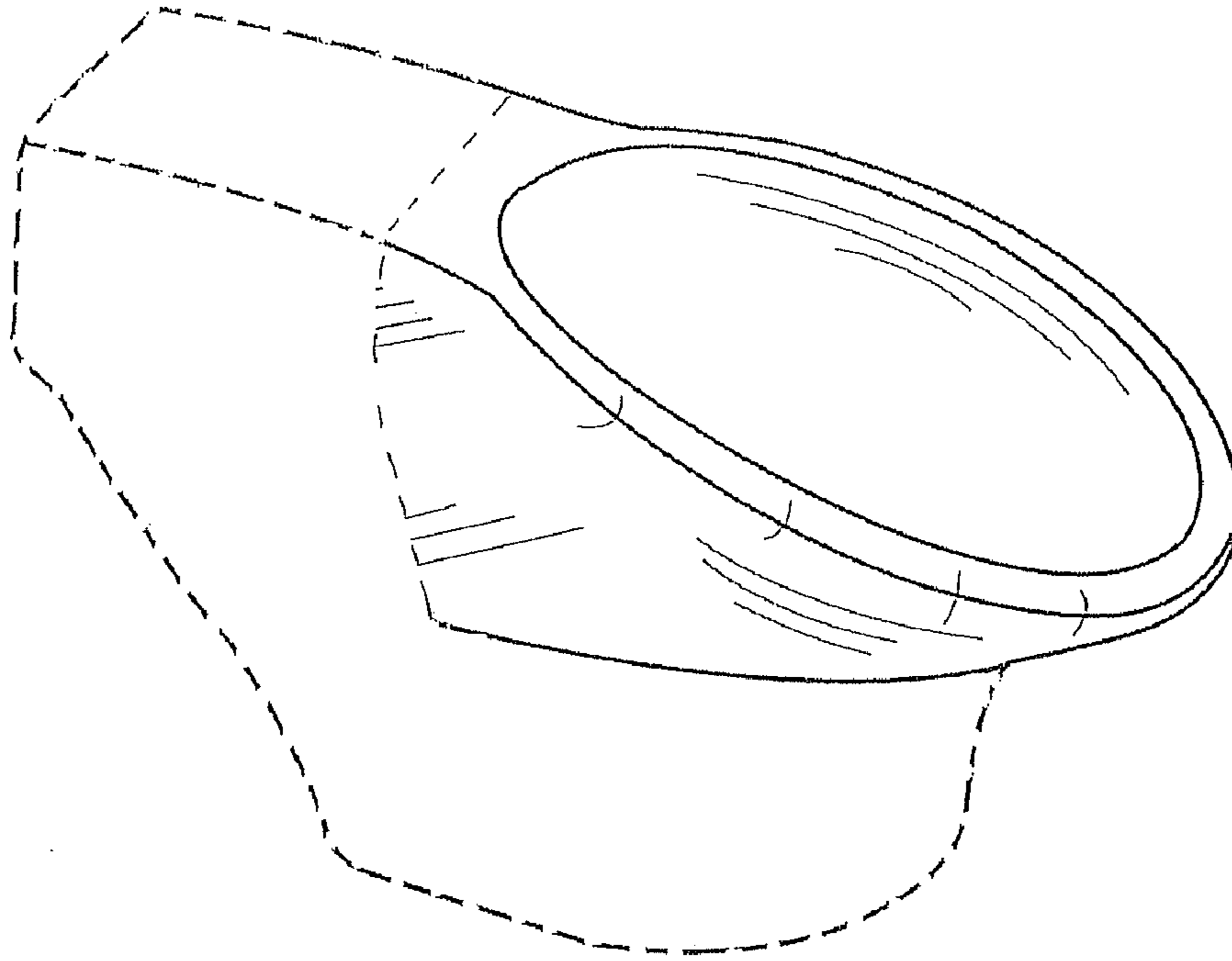


FIG. 3

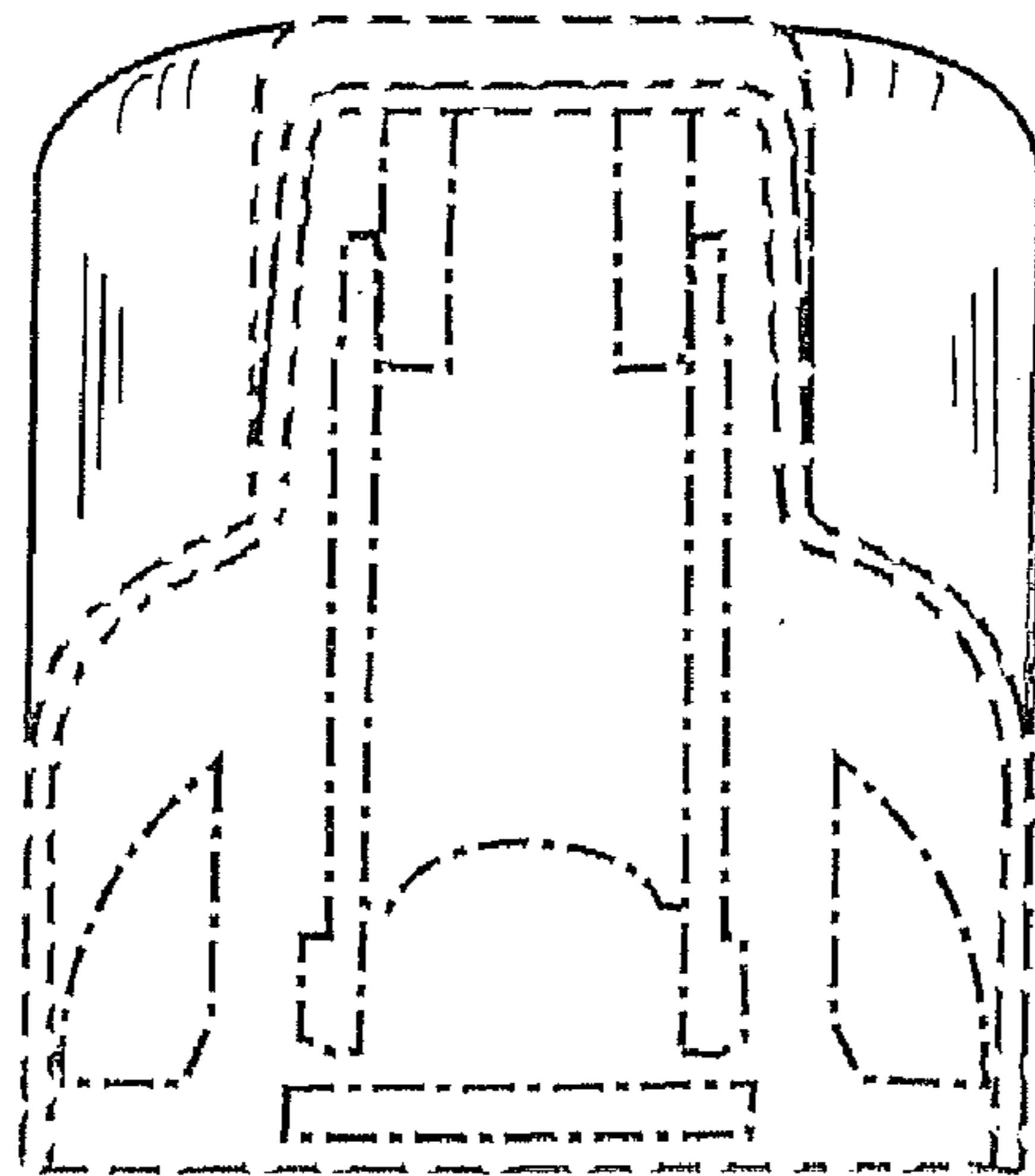


FIG. 4

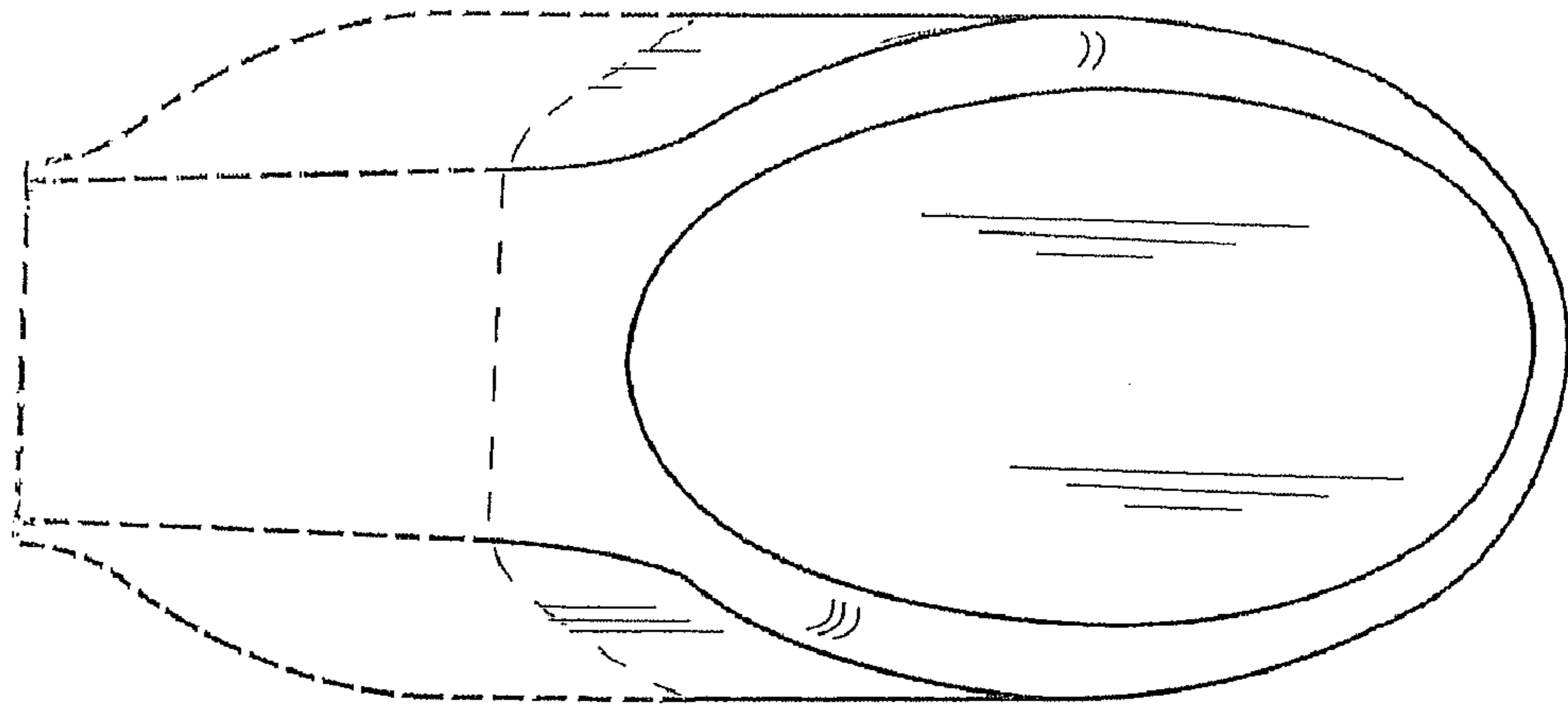


FIG. 5

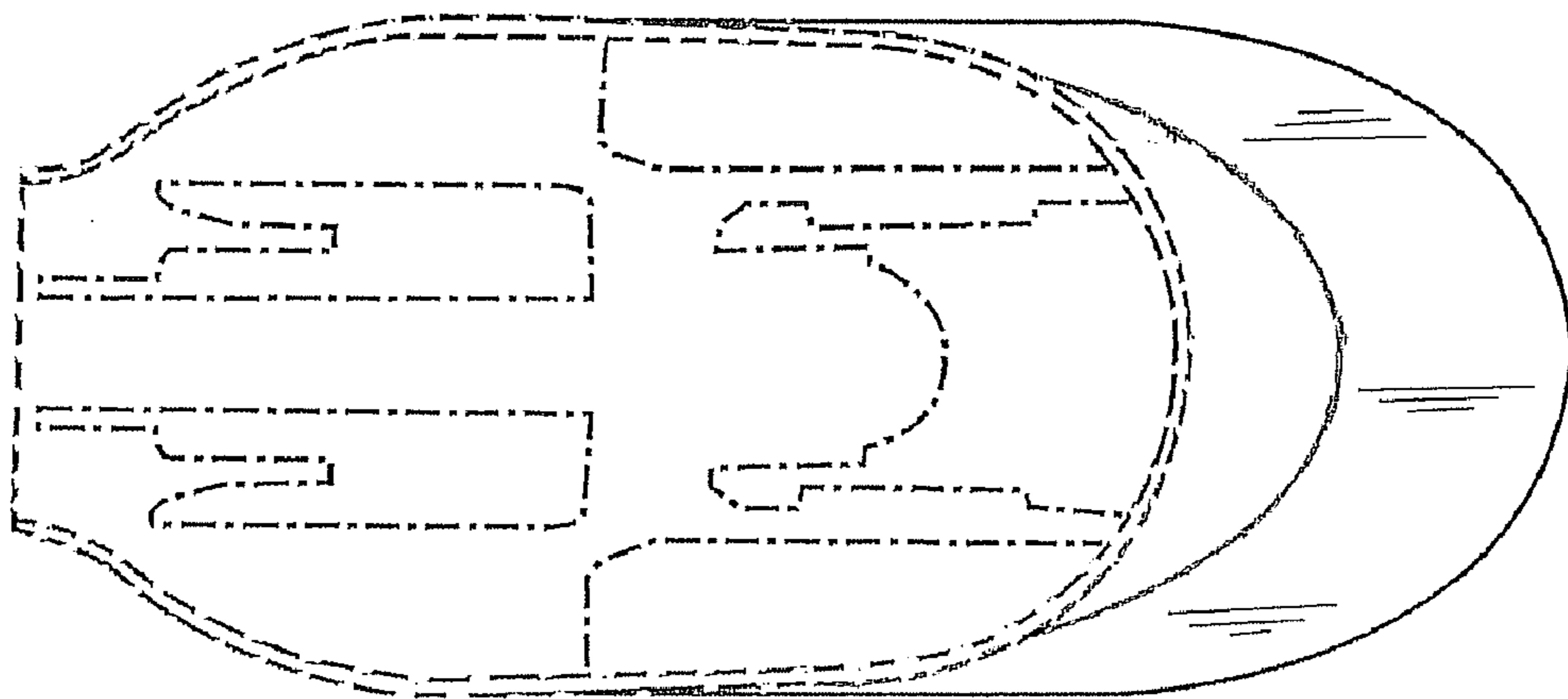


FIG. 6

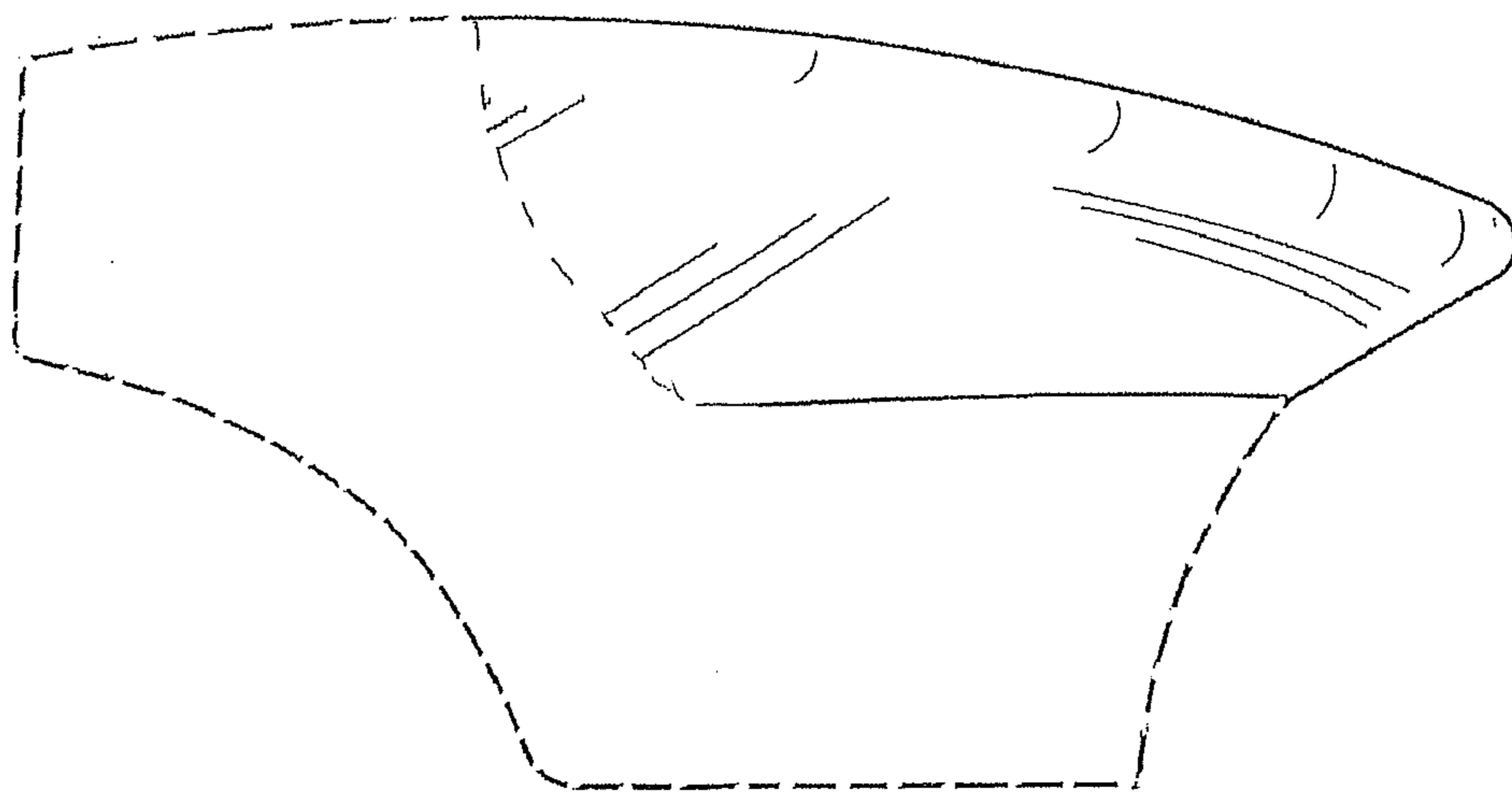


FIG. 7

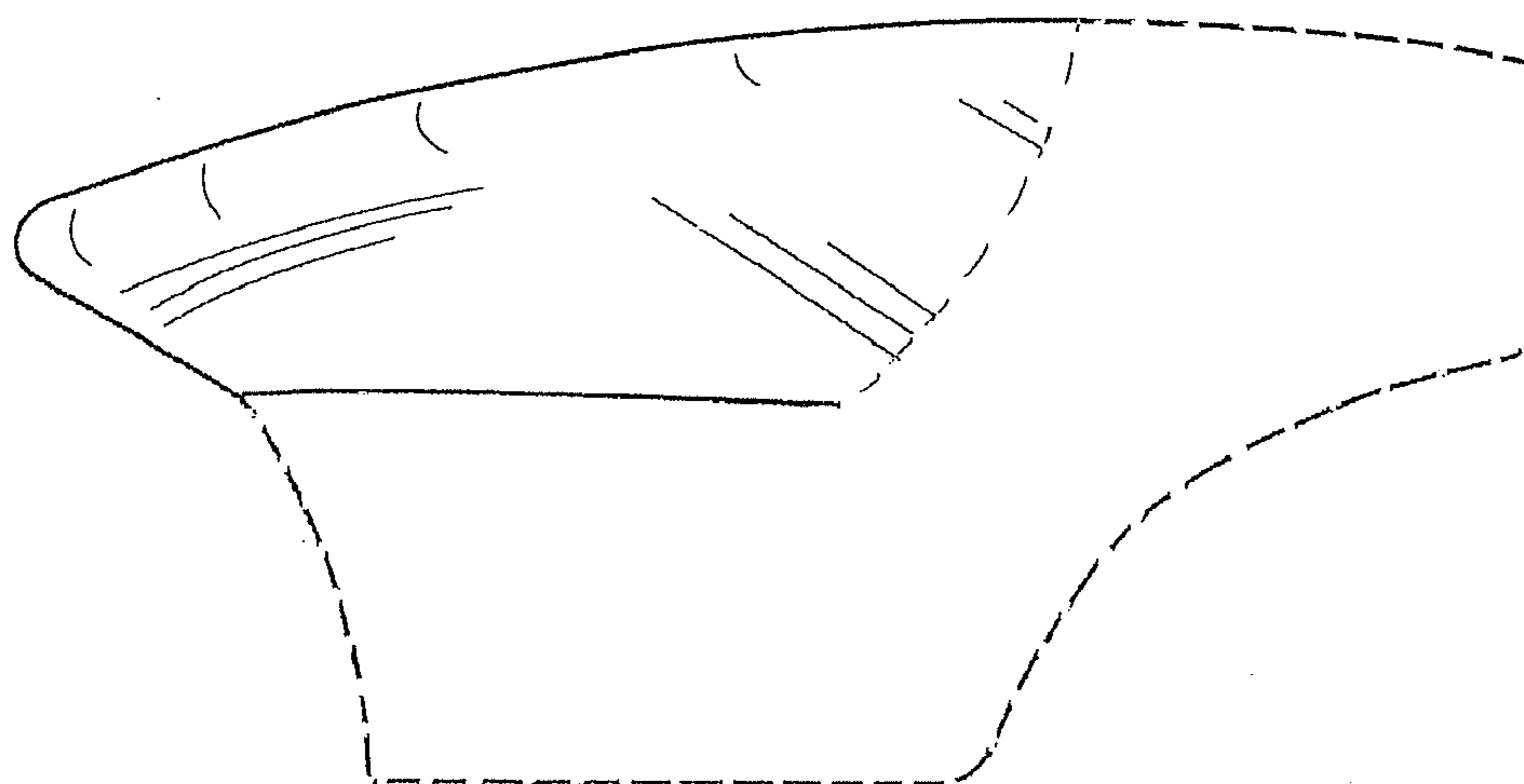


FIG. 8