



US00D590254S

(12) **United States Design Patent**
Saraceni et al.

(10) **Patent No.:** **US D590,254 S**

(45) **Date of Patent:** **** Apr. 14, 2009**

(54) **CONTAINER SPOUT**

(76) Inventors: **Anthony P. Saraceni**, 2003 Chula Vista,
Cedar Park, TX (US) 78613; **Blake A. Stevens**, 18110 Bayou Mead Rd.,
Humble, TX (US) 77346

(**) Term: **14 Years**

(21) Appl. No.: **29/300,164**

(22) Filed: **Feb. 27, 2008**

(51) **LOC (9) Cl.** **09-07**

(52) **U.S. Cl.** **D9/435; D9/447**

(58) **Field of Classification Search** D9/697,
D9/695, 682, 453, 449, 448, 447, 446, 442,
D9/435, 434, 450, 520; 222/94, 92, 490,
222/383.1, 321.7, 321.3, 251, 204, 153.14,
222/153.13, 153.02, 545; 221/288; 215/372;
206/63.5; 220/229

See application file for complete search history.

(56) **References Cited**

U.S. PATENT DOCUMENTS

571,708	A *	11/1896	Thompson	220/229
2,004,614	A *	6/1935	Meagher	206/63.5
2,441,649	A *	5/1948	Sprague	222/92
3,480,182	A *	11/1969	Rigor	221/288
3,669,323	A	6/1972	Harker et al.		
4,133,457	A	1/1979	Klassen		
D307,555	S *	5/1990	Haenni et al.	D9/447
D341,779	S *	11/1993	Lewis	D9/435
D444,063	S *	6/2001	Buck et al.	D9/447
D446,452	S *	8/2001	Buck et al.	D9/434
D492,597	S *	7/2004	Norris et al.	D9/442

D509,138	S *	9/2005	Hierzer et al.	D9/447
D509,431	S *	9/2005	Hierzer et al.	D9/447
D540,670	S *	4/2007	Moribata et al.	D9/435
D542,652	S *	5/2007	Moribata et al.	D9/435
D563,220	S *	3/2008	Krivoshein	D9/454

* cited by examiner

Primary Examiner—Susan Bennett Hattan

(74) *Attorney, Agent, or Firm*—Richard C. Litman

(57) **CLAIM**

The ornamental design for a container spout, as shown and described.

DESCRIPTION

FIG. 1 is a top view of a first embodiment of a container spout showing my new design;

FIG. 2 is a top view of a second embodiment thereof;

FIG. 3 is a top view of a third embodiment thereof;

FIG. 4 is a front elevational view, with the rear view being a mirror image, of any of the first, second, or third embodiments thereof; and,

FIG. 5 is a right side elevational view, with the left side being a mirror image, any of the first, second, or third embodiments thereof.

The broken line showing of the portion of the lid in FIGS. 1–5 depicts environmental subject matter only, merely showing the types of lids that can be used, and forms no part of the claimed design. The broken line showing of the container and straw in FIGS. 4 and 5 depict environmental subject matter only and form no part of the claimed design.

1 Claim, 2 Drawing Sheets

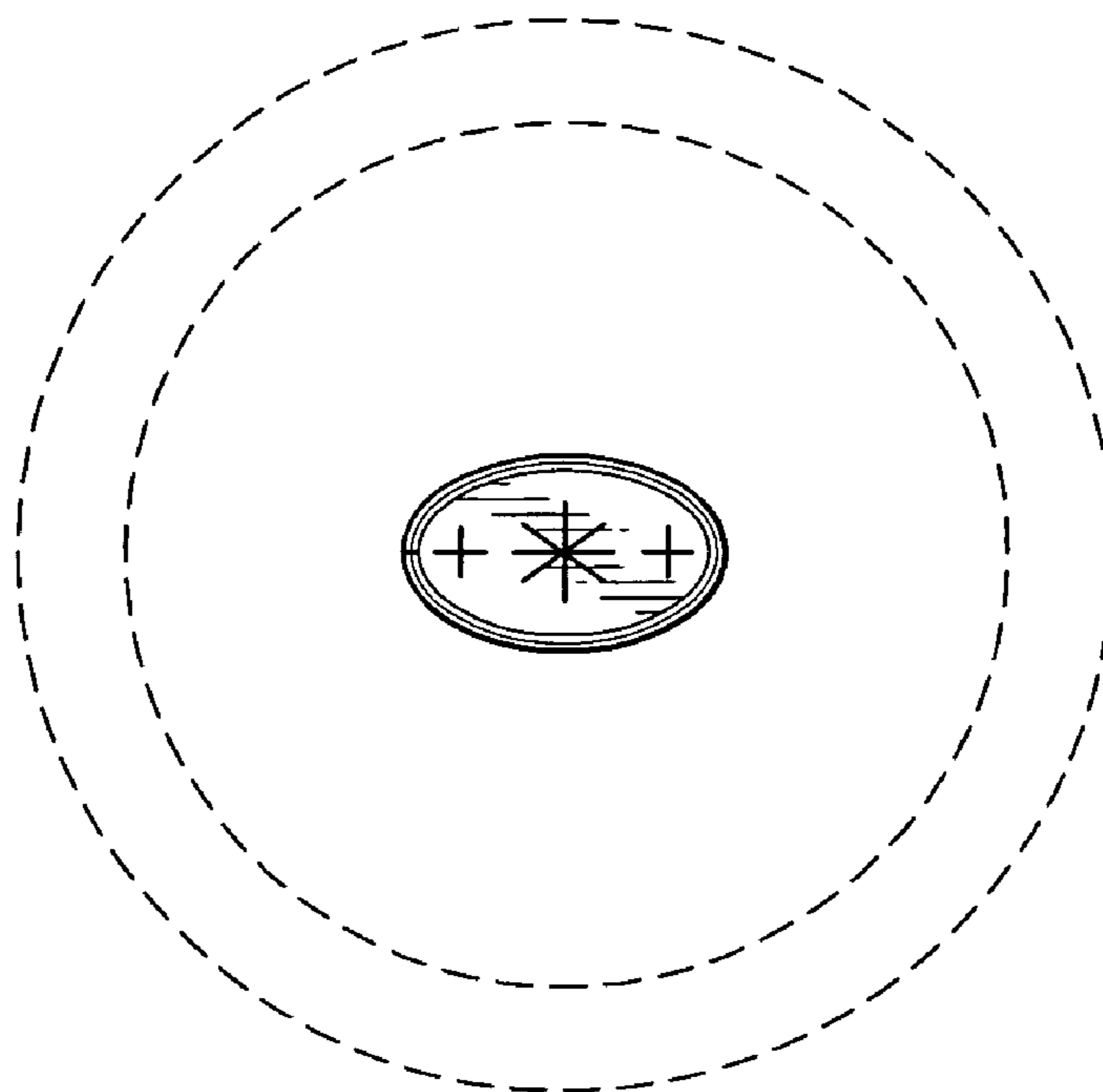


Fig. 1

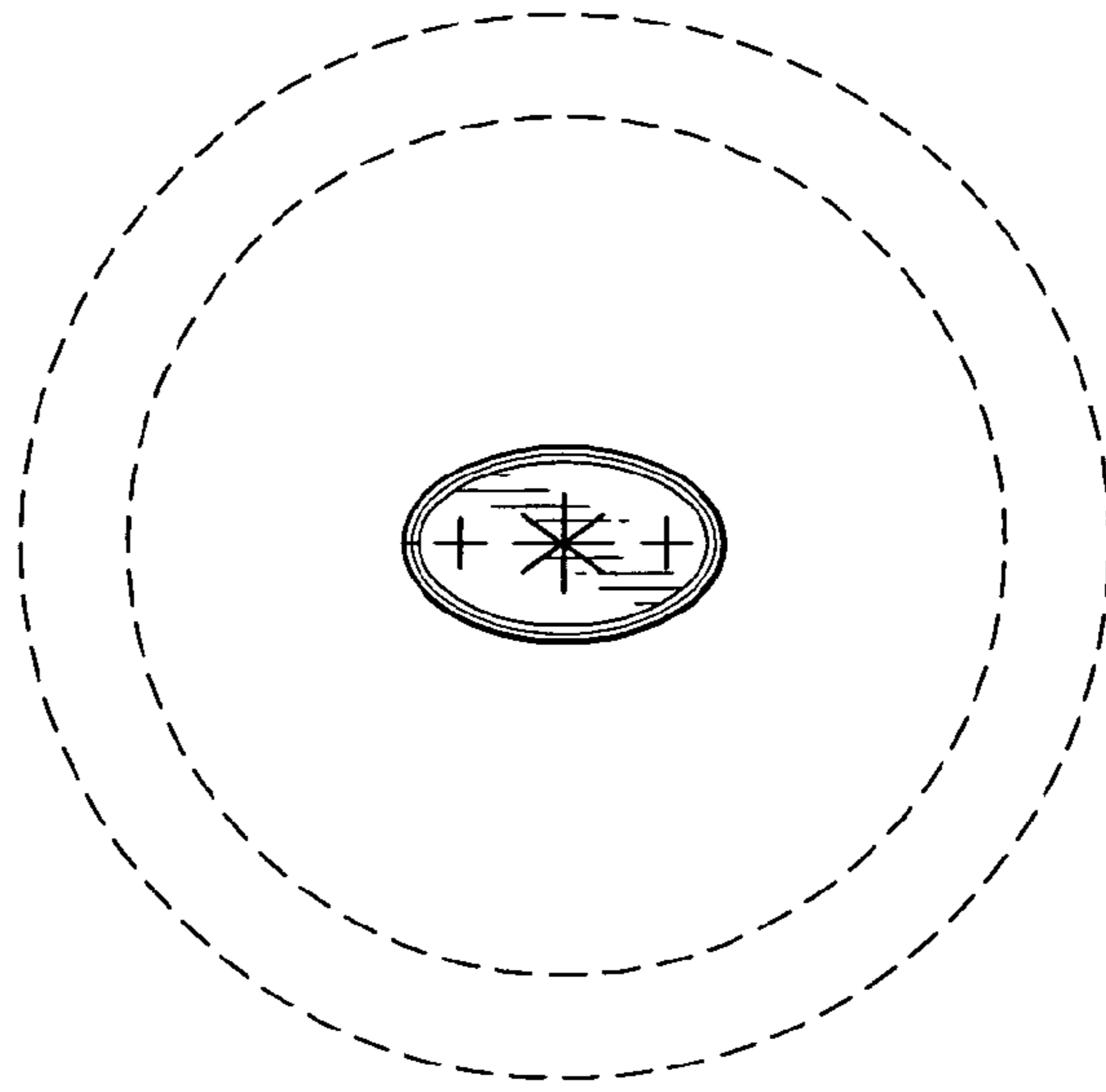


Fig. 2

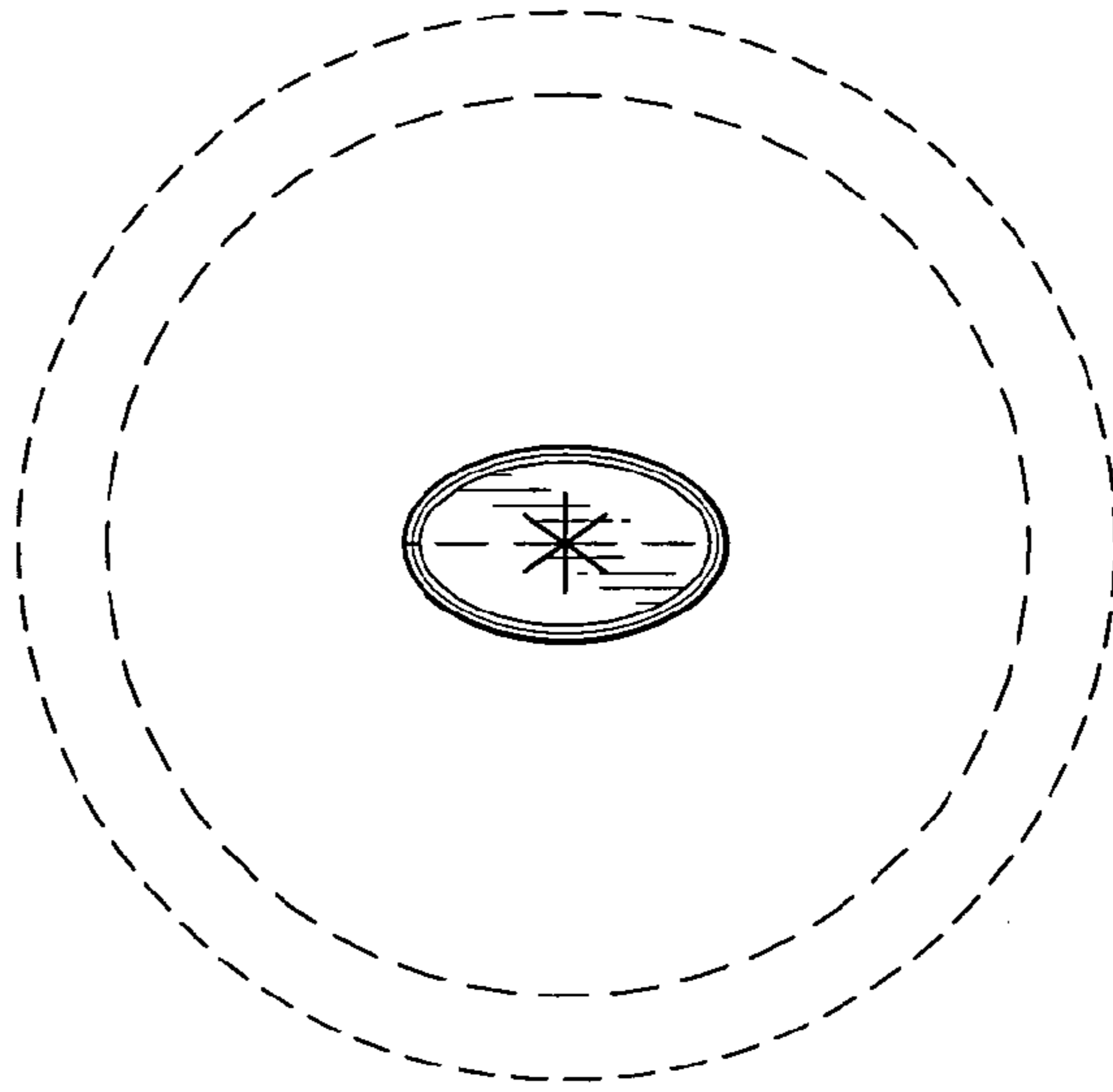
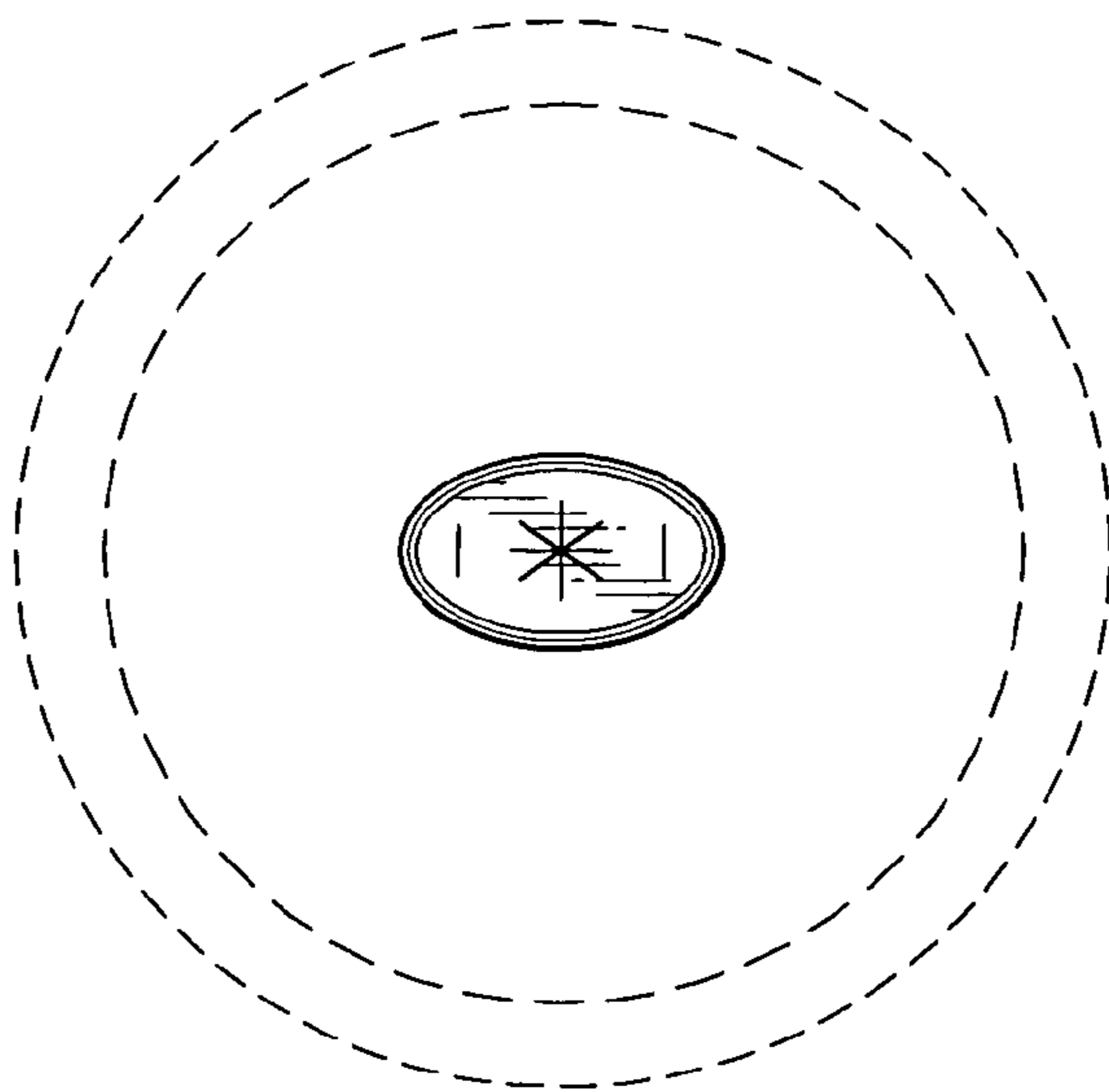


Fig. 3



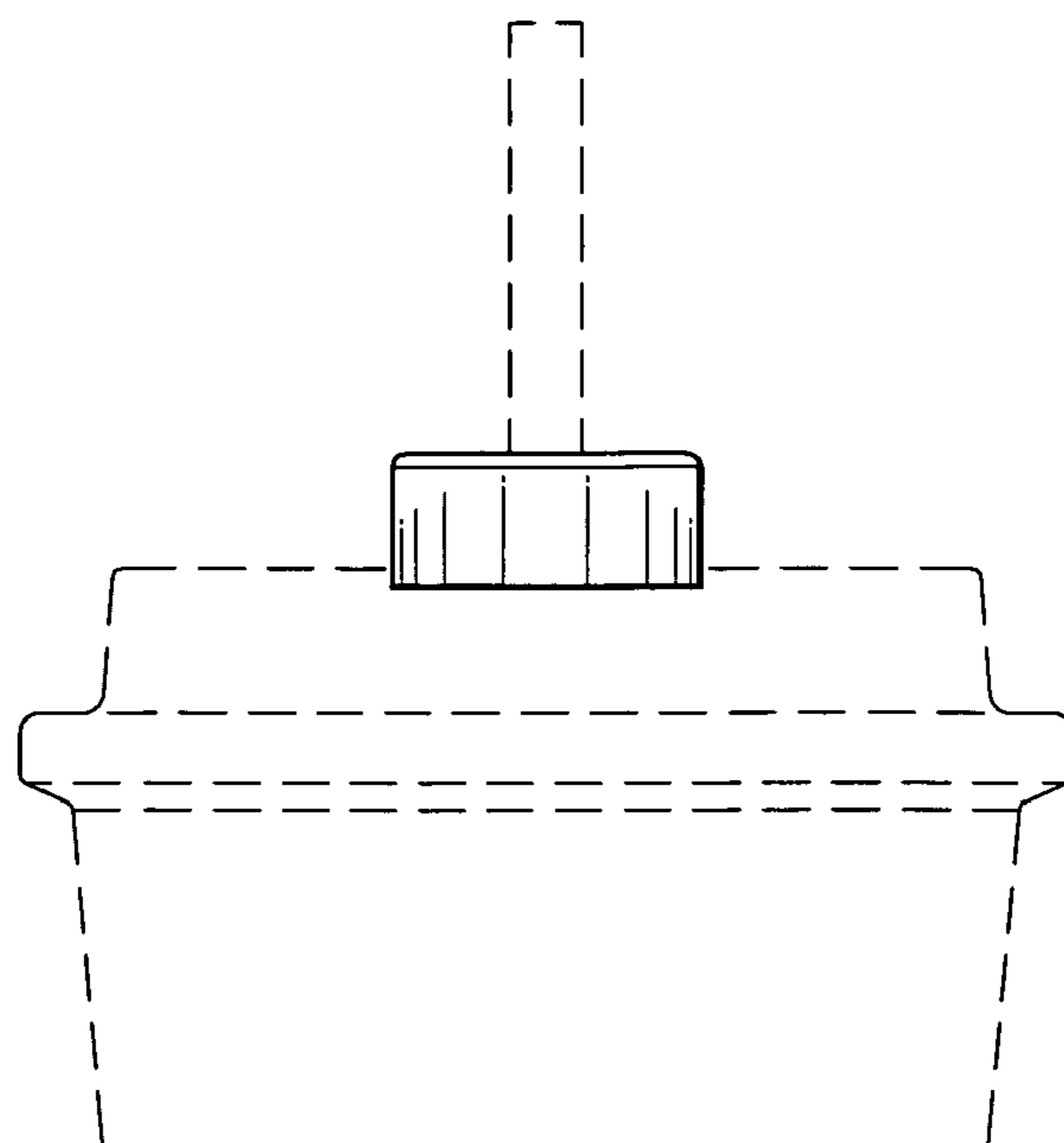


Fig. 4

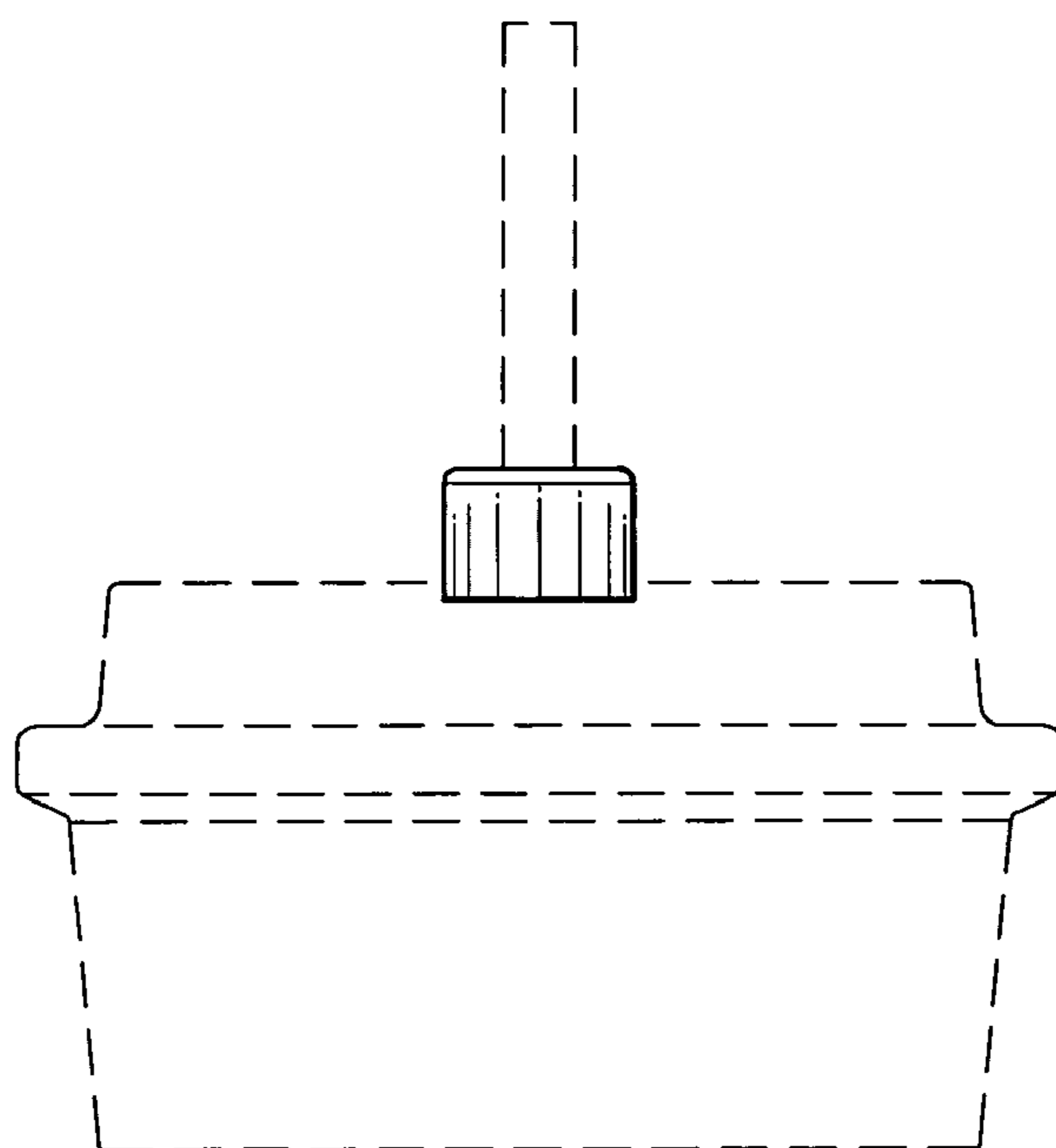


Fig. 5