



US00D590251S

(12) **United States Design Patent**
Seol et al.

(10) **Patent No.:** **US D590,251 S**
(45) **Date of Patent:** **** Apr. 14, 2009**

(54) **MEDICINAL CONTAINER WITH SURFACE ORNAMENTATION**

(75) Inventors: **Donghyun Seol**, Mason, OH (US); **Dale Richard Doyle**, Cincinnati, OH (US)

(73) Assignee: **The Procter & Gamble Company**, Cincinnati, OH (US)

(**) Term: **14 Years**

(21) Appl. No.: **29/288,845**

(22) Filed: **Jun. 22, 2007**

(51) **LOC (9) Cl.** **09-03**

(52) **U.S. Cl.** **D9/432; D5/56**

(58) **Field of Classification Search** D9/430-433, D9/414-418, 420-429, 560, 737, 756, 443; D3/273, 302; 206/421, 454, 457, 775-778, 206/784, 822; 220/500, 523-529, 552, 555; 229/100, 103.3, 104-106, 108, 108.1, 109, 229/110, 111, 112, 117.09, 117.12, 117.15, 229/120, 125.015, 160.1, 162.1, 182.1, 215, 229/247, 406, 407, 902, 920, 922, 930, 942, 229/4.5; 40/306; 47/73, 74; D5/56

See application file for complete search history.

(56) **References Cited**

U.S. PATENT DOCUMENTS

- D79,888 S * 11/1929 MacMillan D9/432
- D81,675 S * 7/1930 Webber D9/432
- D81,676 S * 7/1930 Webber D9/432
- D92,415 S * 6/1934 McClintock, Jr. D9/432
- 2,373,701 A * 4/1945 Tranton 229/243
- 2,840,294 A * 6/1958 Davis 229/132
- 2,947,637 A * 8/1960 Fobiano 426/90
- 3,233,818 A * 2/1966 Bixler et al. 229/117.34
- 3,341,349 A * 9/1967 Feeney et al. 229/100
- D216,871 S * 3/1970 Leis D9/418
- D276,136 S * 10/1984 Sebire D9/432
- D357,861 S * 5/1995 Sawa et al. D9/432
- D366,671 S * 1/1996 Kitzmiller D19/53
- D366,672 S * 1/1996 Kitzmiller D19/53

- D377,144 S * 1/1997 Sawa D9/432
- D419,443 S * 1/2000 Yonehara et al. D9/432
- 6,062,391 A * 5/2000 Nahum-Albright 206/581
- D428,335 S * 7/2000 Toyota et al. D9/432
- D446,114 S * 8/2001 Stephens D9/418
- D482,279 S * 11/2003 Waldburger et al. D9/432
- D494,863 S * 8/2004 Hamuro et al. D9/432
- D495,253 S * 8/2004 Hamuro et al. D9/432
- D496,275 S * 9/2004 Hamuro et al. D9/432

(Continued)

FOREIGN PATENT DOCUMENTS

GB EC-441126-0001 * 12/2005

Primary Examiner—T. Chase Nelson

Assistant Examiner—Karen Acker

(74) *Attorney, Agent, or Firm*—Cynthia L. Clay; Kristin Kohler

(57) **CLAIM**

The ornamental design for a medicinal container with surface ornamentation, as shown and described.

DESCRIPTION

The patent file contains at least one drawing executed in color. Copies of this patent with color drawings will be provided by the Office upon request and payment of the necessary fee.

FIG. 1 is a front perspective view of a medicinal container with surface ornamentation showing our new design;

FIG. 2 is a front elevation view thereof;

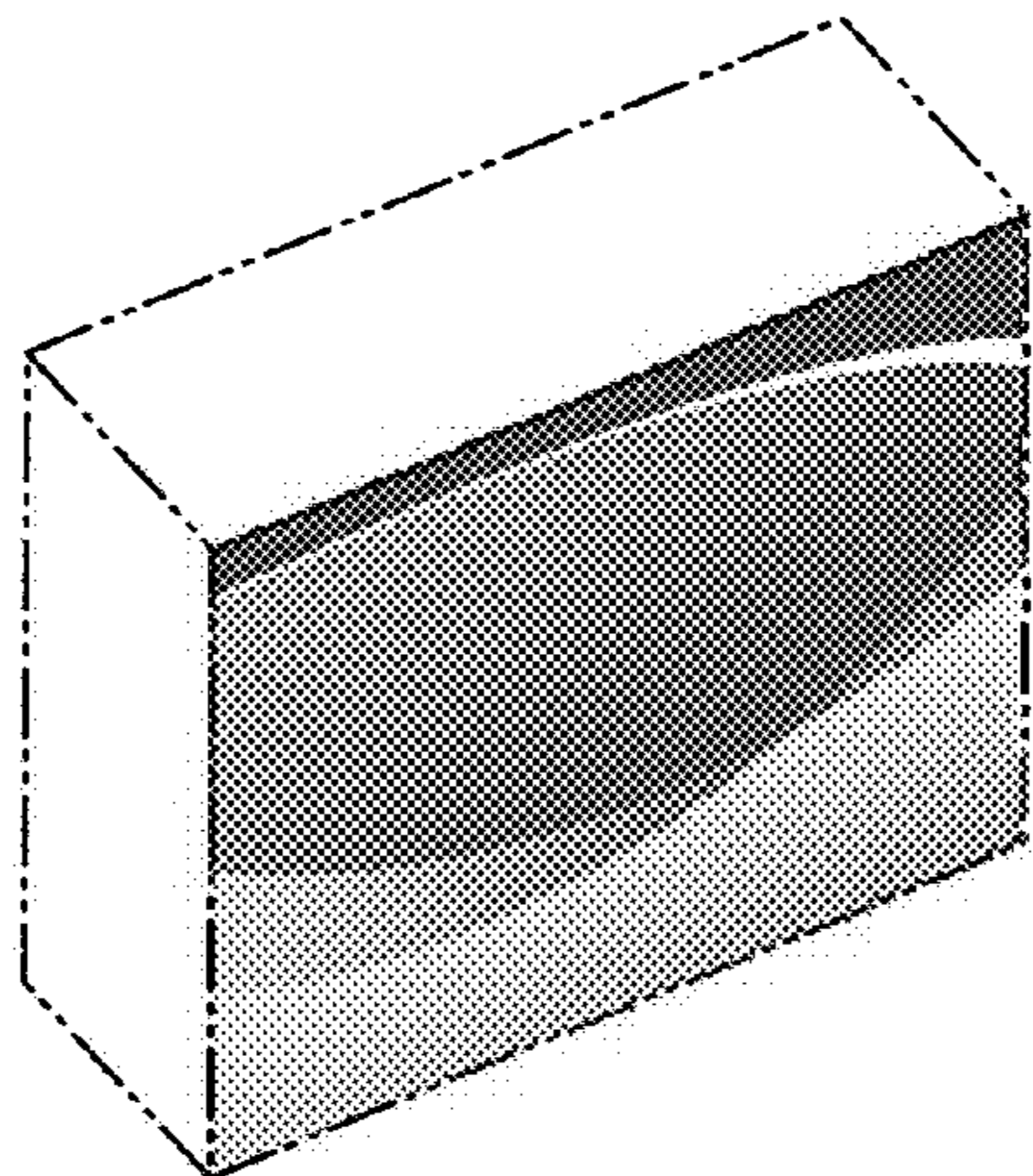
FIG. 3 is bottom plan view thereof;

FIG. 4 is a rear view thereof; and,

FIG. 5 is a right side view thereof, the opposing left side view being a mirror image thereof.

The broken lines in the drawing show structure illustrating the design in an environment of use. The broken lines form no part of the claimed design.

1 Claim, 3 Drawing Sheets
(2 of 3 Drawing Sheet(s) Filed in Color)



US D590,251 S

Page 2

U.S. PATENT DOCUMENTS

D496,859 S	*	10/2004	Hamuro et al.	D9/432	D536,988 S	*	2/2007	Kusumi et al.	D9/624
D510,702 S	*	10/2005	Kusumi et al.	D9/432	D556,572 S	*	12/2007	Mongeon et al.	D9/432
D527,253 S	*	8/2006	Hamuro et al.	D9/432	D566,545 S	*	4/2008	Bone et al.	D9/432
D536,038 S	*	1/2007	Frendberg et al.	D20/27	D567,080 S	*	4/2008	Bone et al.	D9/432

* cited by examiner

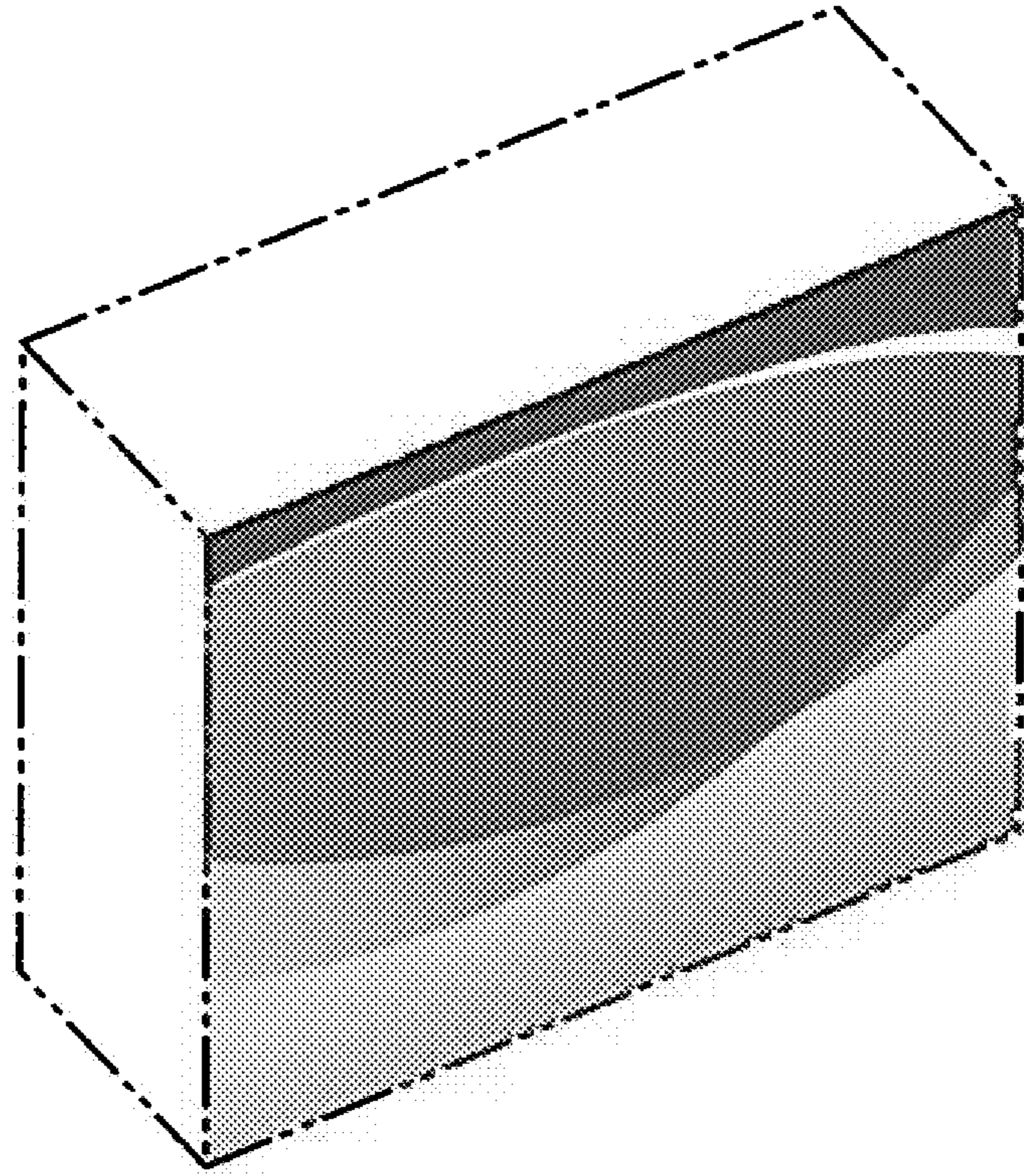


Fig. 1

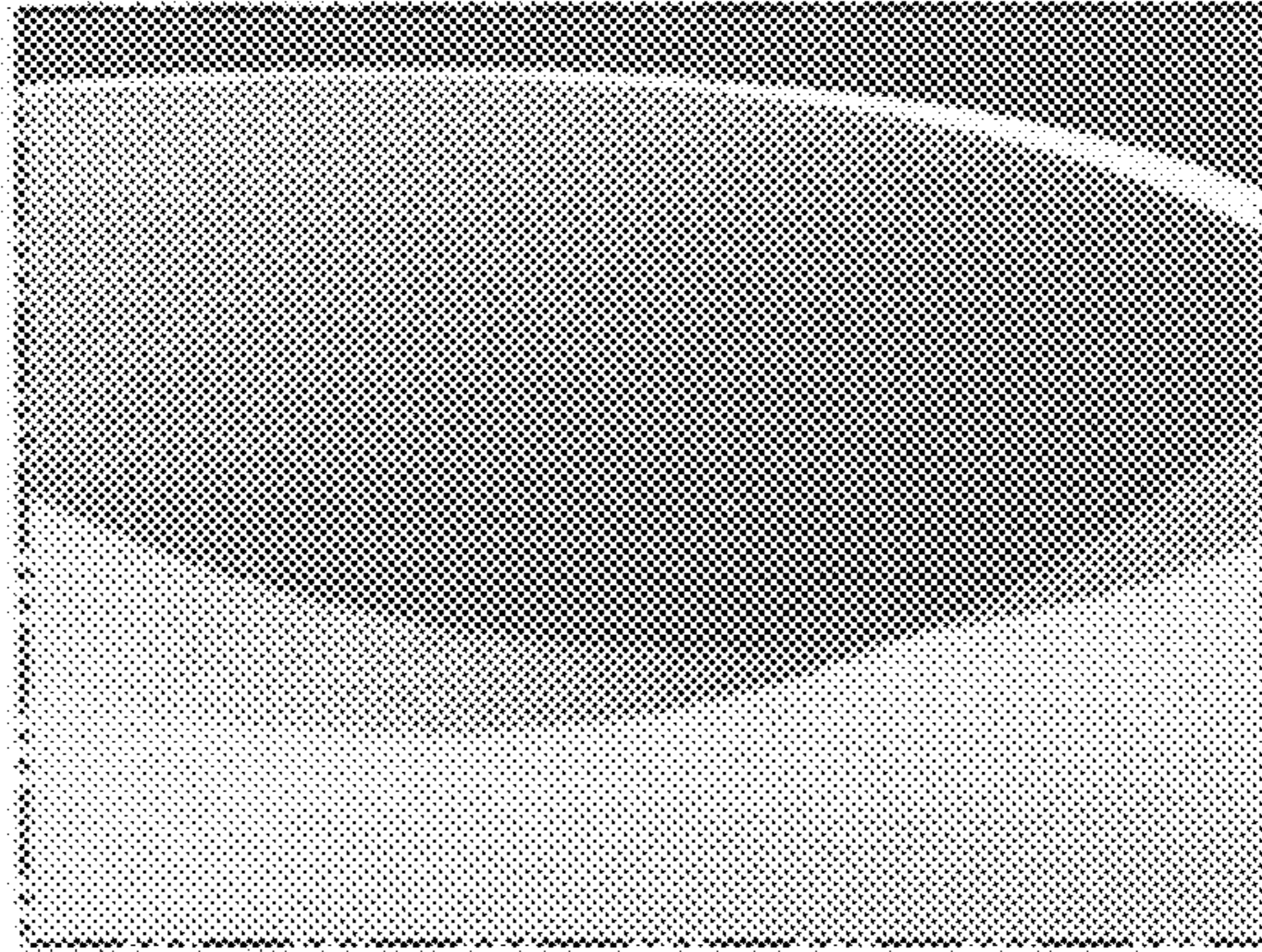


Fig. 2

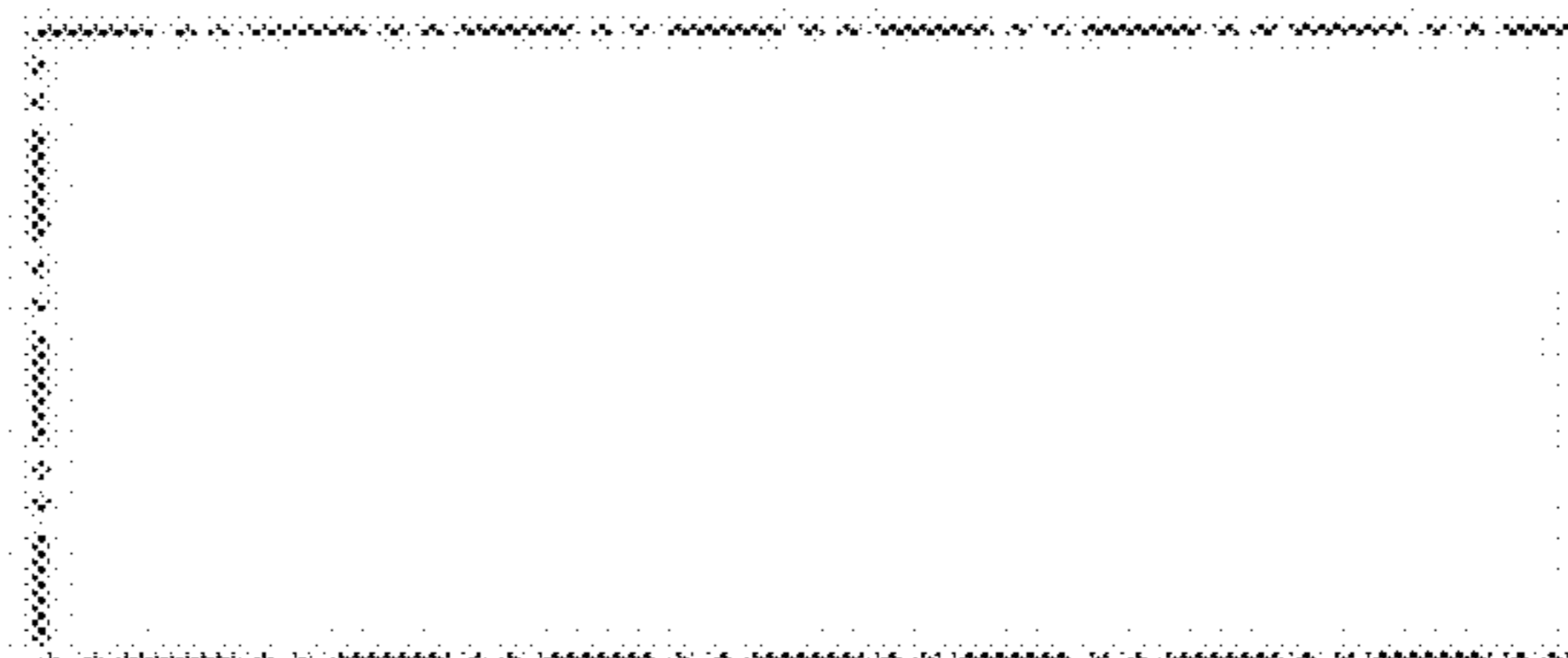


Fig. 3



Fig. 4

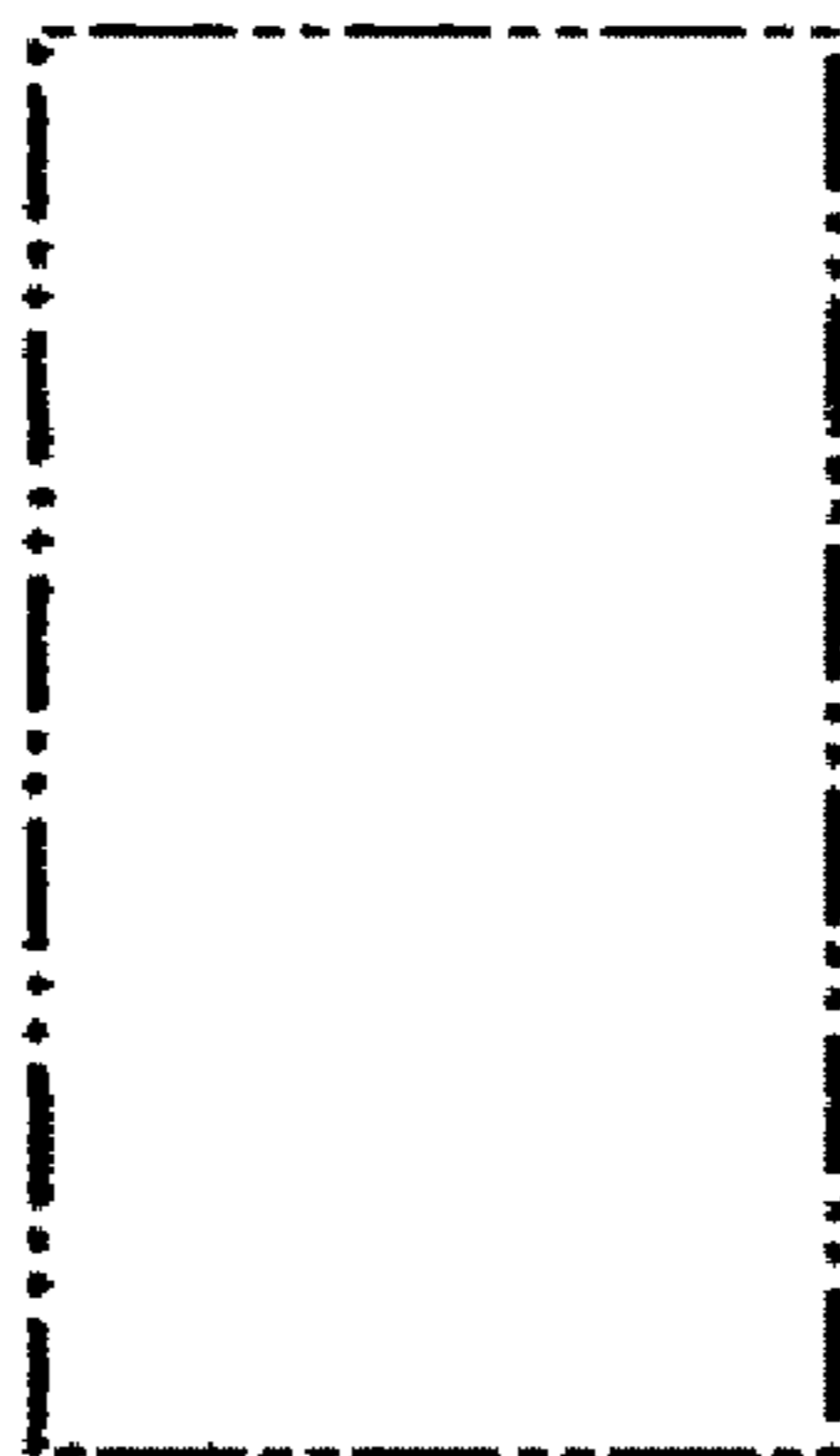


Fig. 5