



US00D590248S

(12) **United States Design Patent**  
**Mu et al.**

(10) **Patent No.:** **US D590,248 S**

(45) **Date of Patent:** **\*\* Apr. 14, 2009**

(54) **SHOE BOX**

(76) Inventors: **Der Liang Mu**, 5915 Finecrest Dr.,  
Rancho Palos Verdes, CA (US) 90275;  
**Lisa Lynn Kim**, 5915 Finecrest Dr.,  
Rancho Palos Verdes, CA (US) 90275;  
**Elizabeth Yong Mu**, 5915 Finecrest Dr.,  
Rancho Palos Verdes, CA (US) 90275;  
**Natalie Enhwei Mu**, 5915 Finecrest Dr.,  
Rancho Palos Verdes, CA (US) 90275;  
**Rebecca Rongyi Mu**, 5915 Finecrest  
Dr., Rancho Palos Verdes, CA (US)  
90275

D280,884 S \* 10/1985 Holewinski et al. .... D9/761  
D291,534 S \* 8/1987 Hamilton et al. .... D9/761  
D323,294 S \* 1/1992 Williams ..... D9/432  
D336,848 S \* 6/1993 Chen ..... D9/418  
D362,802 S \* 10/1995 Lee ..... D9/423  
D446,713 S \* 8/2001 Adam ..... D9/415  
D490,703 S \* 6/2004 Rusnock ..... D9/416  
D494,061 S \* 8/2004 Brown ..... D9/418  
D500,205 S \* 12/2004 DeCarlo et al. .... D3/302  
D535,102 S \* 1/2007 Matsuda ..... D3/302  
7,249,674 B2 7/2007 Mu et al.  
D553,493 S \* 10/2007 Kracke ..... D9/432  
2006/0231602 A1 10/2006 Mu et al.

\* cited by examiner

(\*\*) Term: **14 Years**

*Primary Examiner*—Robert M Spear  
*Assistant Examiner*—Susan E Krakower

(21) Appl. No.: **29/322,881**

(74) *Attorney, Agent, or Firm*—IPLA P.A.; James E. Bame

(22) Filed: **Aug. 13, 2008**

(57) **CLAIM**

(51) **LOC (9) Cl.** ..... **09-03**

The ornamental design for a shoe box, as shown and described.

(52) **U.S. Cl.** ..... **D9/418; D9/415**

(58) **Field of Classification Search** ..... D9/414–416,  
D9/418–420, 423–428, 430–432, 434; D7/354,  
D7/396.1, 392.1, 394, 538, 543–545, 550.1,  
D7/551, 554.3, 587, 566, 584, 586, 629, 667;  
220/4.22–4.24, 574, 604–608, 659, 675,  
220/781–782, 793, 835, 839, DIG. 14; 206/119,  
206/213, 278, 470, 508, 545, 763, 775, 806;  
229/117.9, 406; 219/725, 735  
See application file for complete search history.

**DESCRIPTION**

FIG. 1 is a perspective view of our new design;  
FIG. 2 is a perspective view of our new design, shown in a  
partially open condition;  
FIG. 3 is a top plan view of FIG. 1;  
FIG. 4 is a left side elevational view of FIG. 1; and,  
FIG. 5 is a front elevational view of FIG. 1.  
The broken line showing of a mount illustrates environment  
only and forms no part of the claimed design.

(56) **References Cited**

**U.S. PATENT DOCUMENTS**

D265,723 S \* 8/1982 Rosenthal ..... D9/753  
D265,867 S \* 8/1982 Margulis ..... D3/294

**1 Claim, 5 Drawing Sheets**

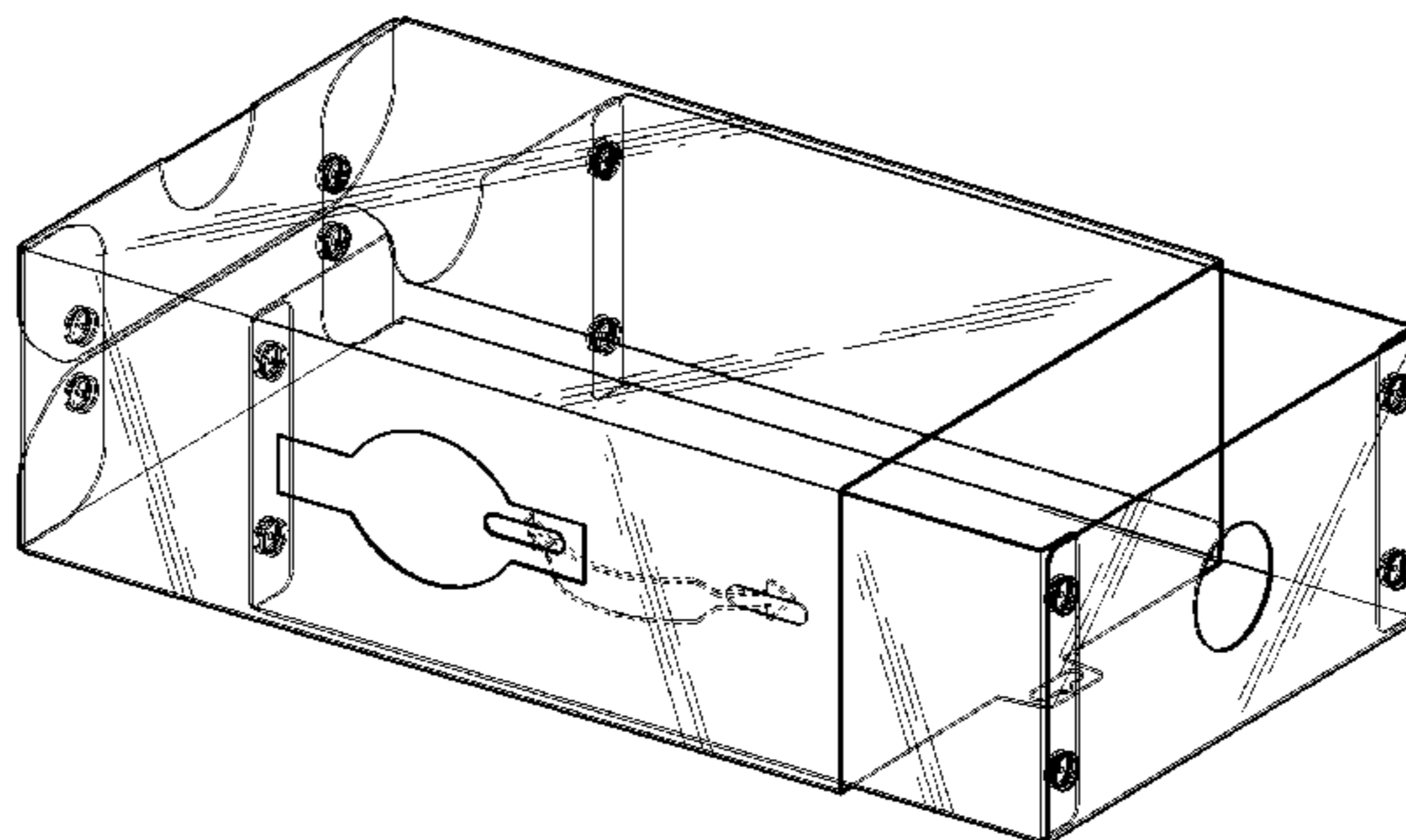
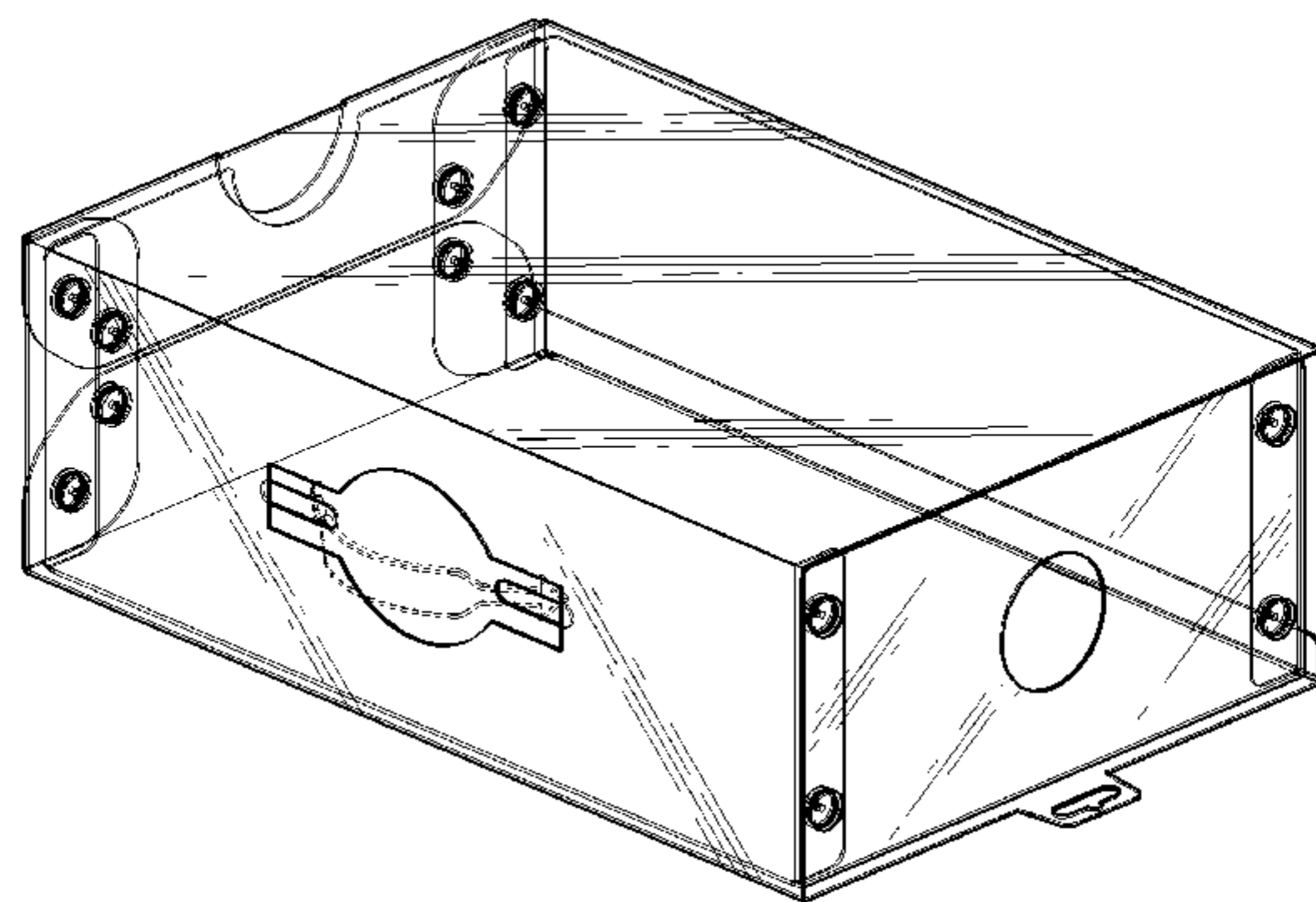


FIG. 1

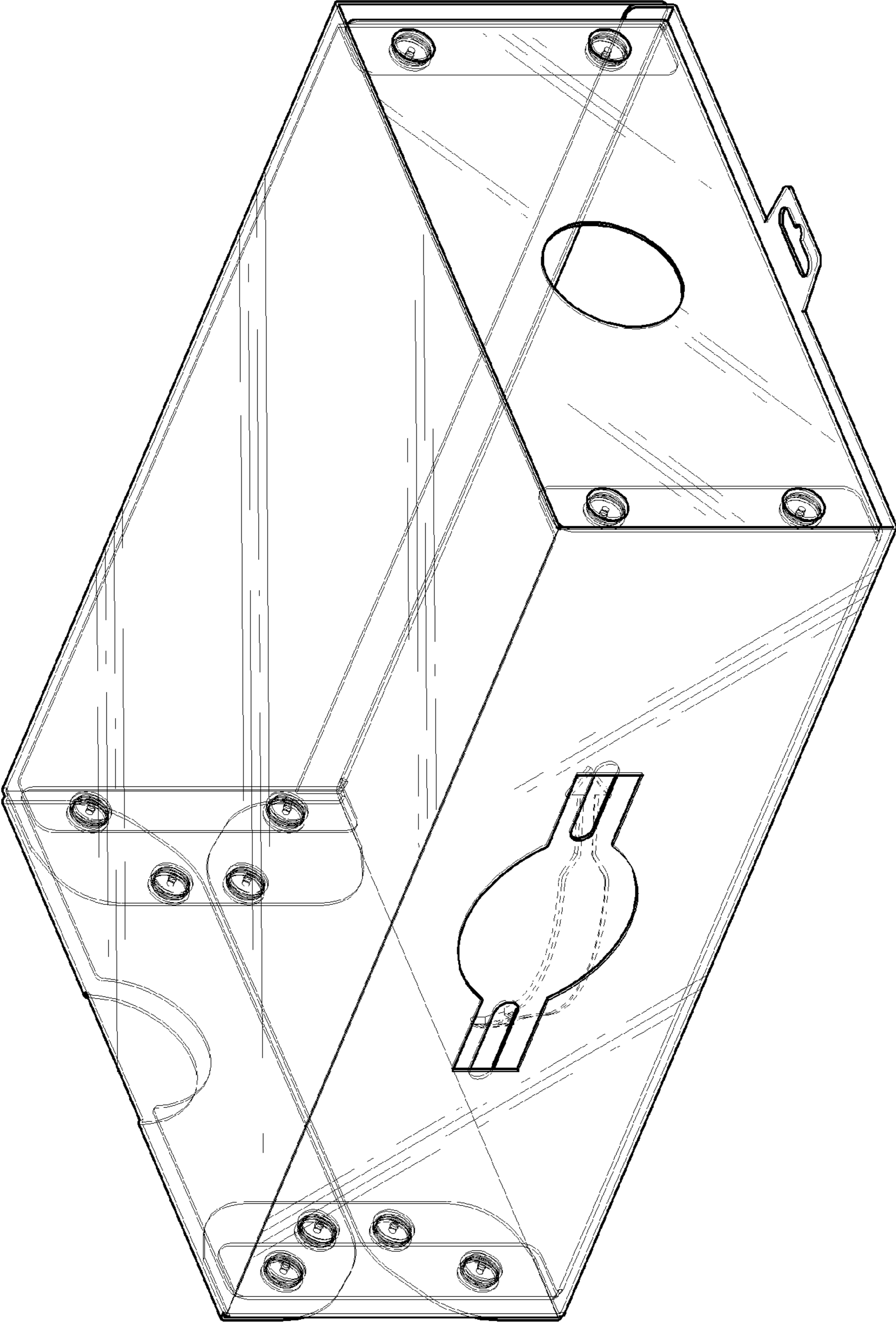


FIG. 2

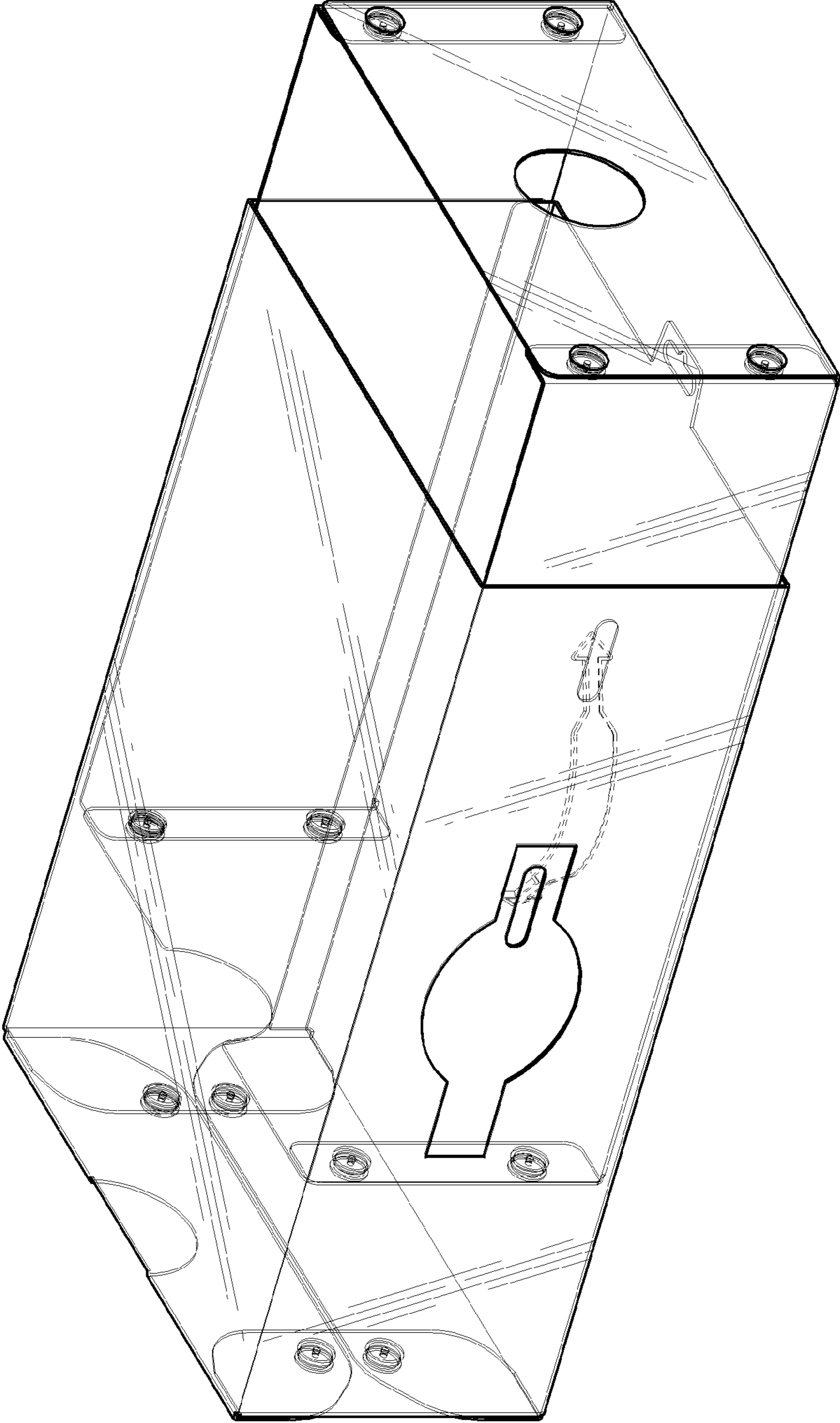


FIG. 3

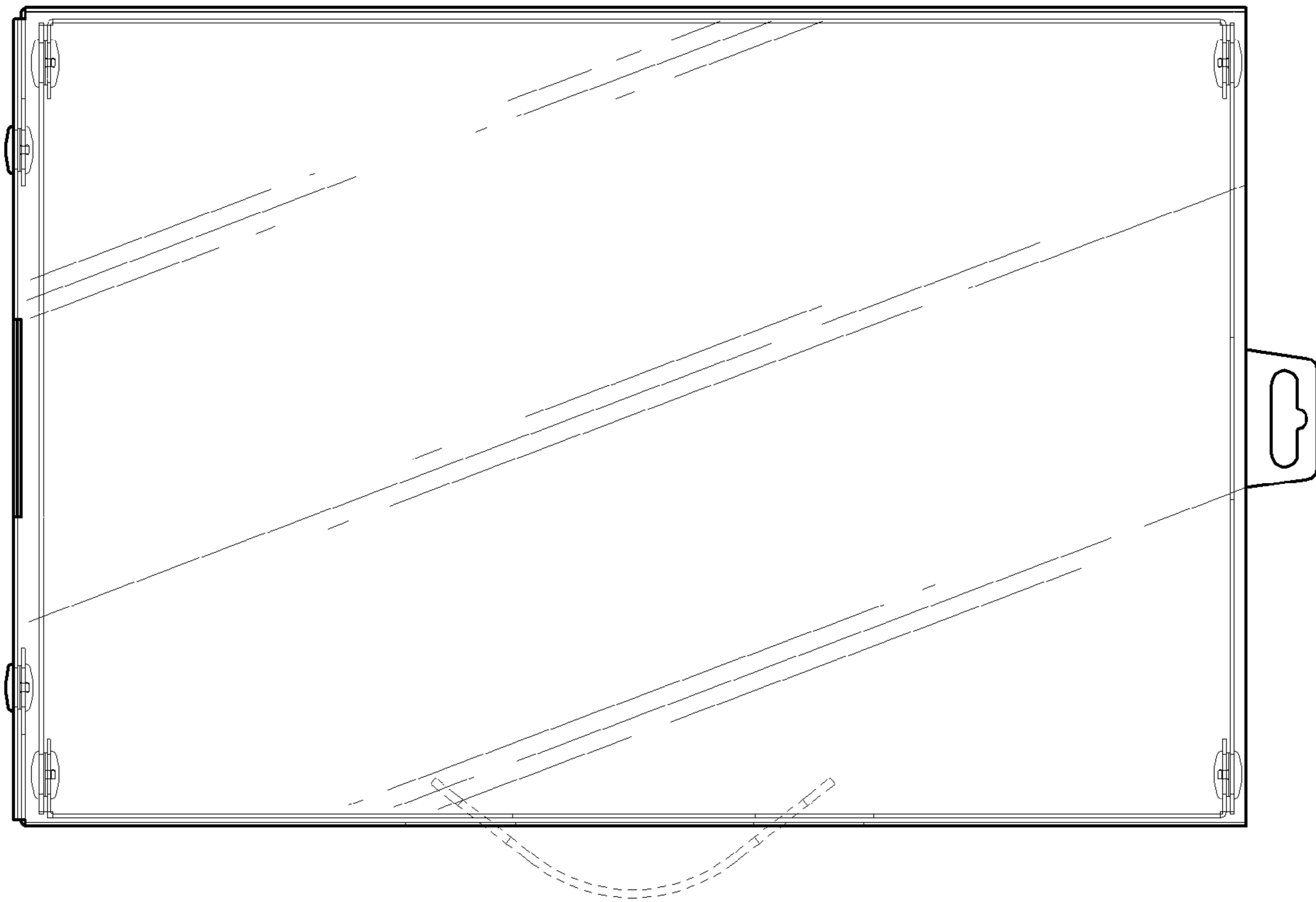


FIG. 4

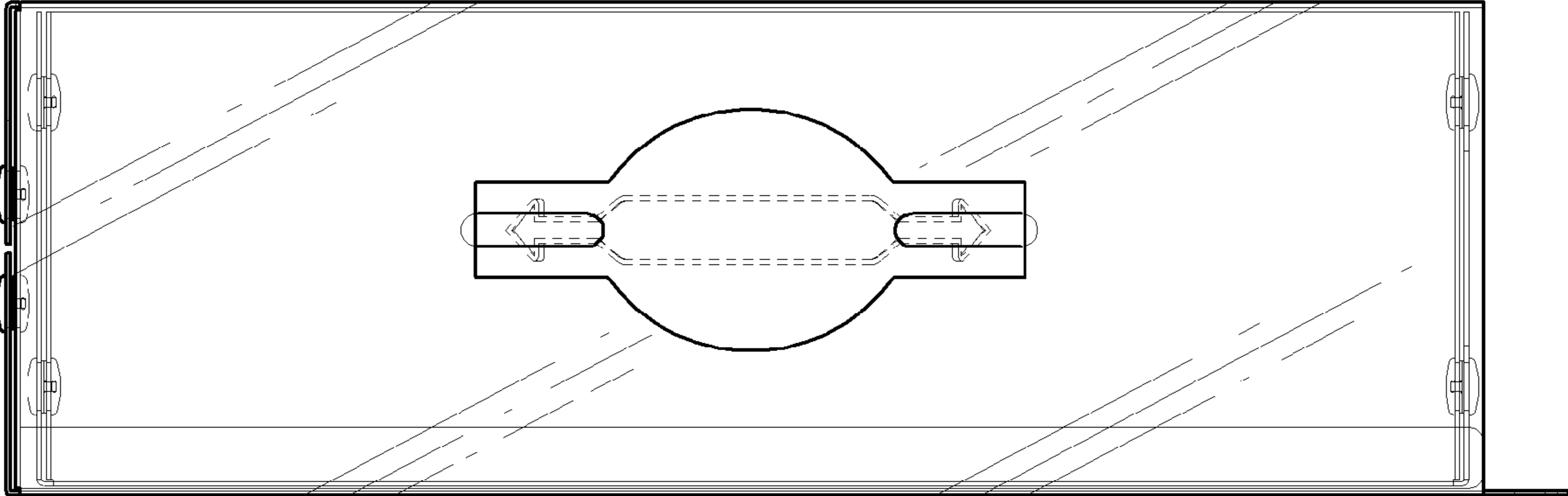


FIG. 5

