



US00D590247S

(12) **United States Design Patent**
Pokempner et al.

(10) **Patent No.:** **US D590,247 S**
(45) **Date of Patent:** **** Apr. 14, 2009**

(54) **PACKAGE FOR ACTIVITY KIT**

(75) Inventors: **Joshua Pokempner**, Ann Arbor, MI
(US); **Jonathan Wright**, Ann Arbor, MI
(US); **Kellie Hebert**, Chelsea, MI (US)

(73) Assignee: **Elmer's Products, Inc.**, Columbus, OH
(US)

(**) Term: **14 Years**

(21) Appl. No.: **29/251,793**

(22) Filed: **Jan. 12, 2006**

Related U.S. Application Data

(63) Continuation of application No. 10/733,828, filed on
Dec. 11, 2003.

(51) **LOC (9) Cl.** **09-03**

(52) **U.S. Cl.** **D9/418; D9/414**

(58) **Field of Classification Search** D9/418,
D9/414, 415, 420, 432, 433; D3/20, 203.6,
D3/206, 282, 905; 206/1.7-1.9, 215, 224,
206/373, 380, 461, 463, 472, 575, 579, 806,
206/815; 220/520, 524
See application file for complete search history.

(56) **References Cited**

U.S. PATENT DOCUMENTS

D90,769 S *	8/1933	Kamen	D19/36
2,321,807 A	6/1943	Glickman	206/579
D188,583 S *	8/1960	Moss	D3/282
4,318,471 A	3/1982	Hutton	206/214
D268,479 S *	4/1983	Pullman	D9/679
4,560,359 A	12/1985	Wilson et al.	446/75
4,681,471 A	7/1987	Hayduchok et al.	401/34
4,765,583 A	8/1988	Tenner	248/444
4,815,622 A *	3/1989	Cramer	220/4.21
4,836,783 A	6/1989	Harper	434/88
4,875,707 A *	10/1989	Krom	281/30
4,901,997 A	2/1990	Varga	272/1 A

D332,468 S *	1/1993	Tarozzi	D3/206
5,248,030 A *	9/1993	Tarozzi	206/1.7
5,360,342 A	11/1994	Pardner	434/84
5,388,689 A	2/1995	Kroop et al.	206/214
5,409,383 A	4/1995	Mannino	434/414
5,460,102 A	10/1995	Pasmanick	108/43
5,667,064 A	9/1997	Bauman	206/214
5,671,951 A	9/1997	Palmiter et al.	206/214
5,814,579 A	9/1998	Dotson et al.	503/201
D400,010 S *	10/1998	Vasudeva	D3/276
5,829,985 A	11/1998	Campanella	434/317
5,887,715 A *	3/1999	Vasudeva	206/373
D411,919 S	7/1999	Walker	D3/315
5,918,395 A	7/1999	Hesmer	40/513
6,026,960 A	2/2000	Cogliano	206/575
6,098,793 A	8/2000	Jaksha	206/214
D434,561 S *	12/2000	Vasudeva	D3/282
6,164,976 A	12/2000	Wilson	434/414
6,173,656 B1	1/2001	Blanchard	108/43
6,266,186 B1	7/2001	Greiner	359/466
6,336,555 B1	1/2002	Breeden	206/371
6,640,813 B2	11/2003	Raisner et al.	206/581
6,681,933 B1 *	1/2004	Demsien et al.	206/371

* cited by examiner

Primary Examiner—Prabhakar Deshmukh

Assistant Examiner—Derrick Holland

(74) *Attorney, Agent, or Firm*—McNees Wallace & Nurick
LLC

(57) **CLAIM**

The ornamental design for a package for activity kit, as shown
and described.

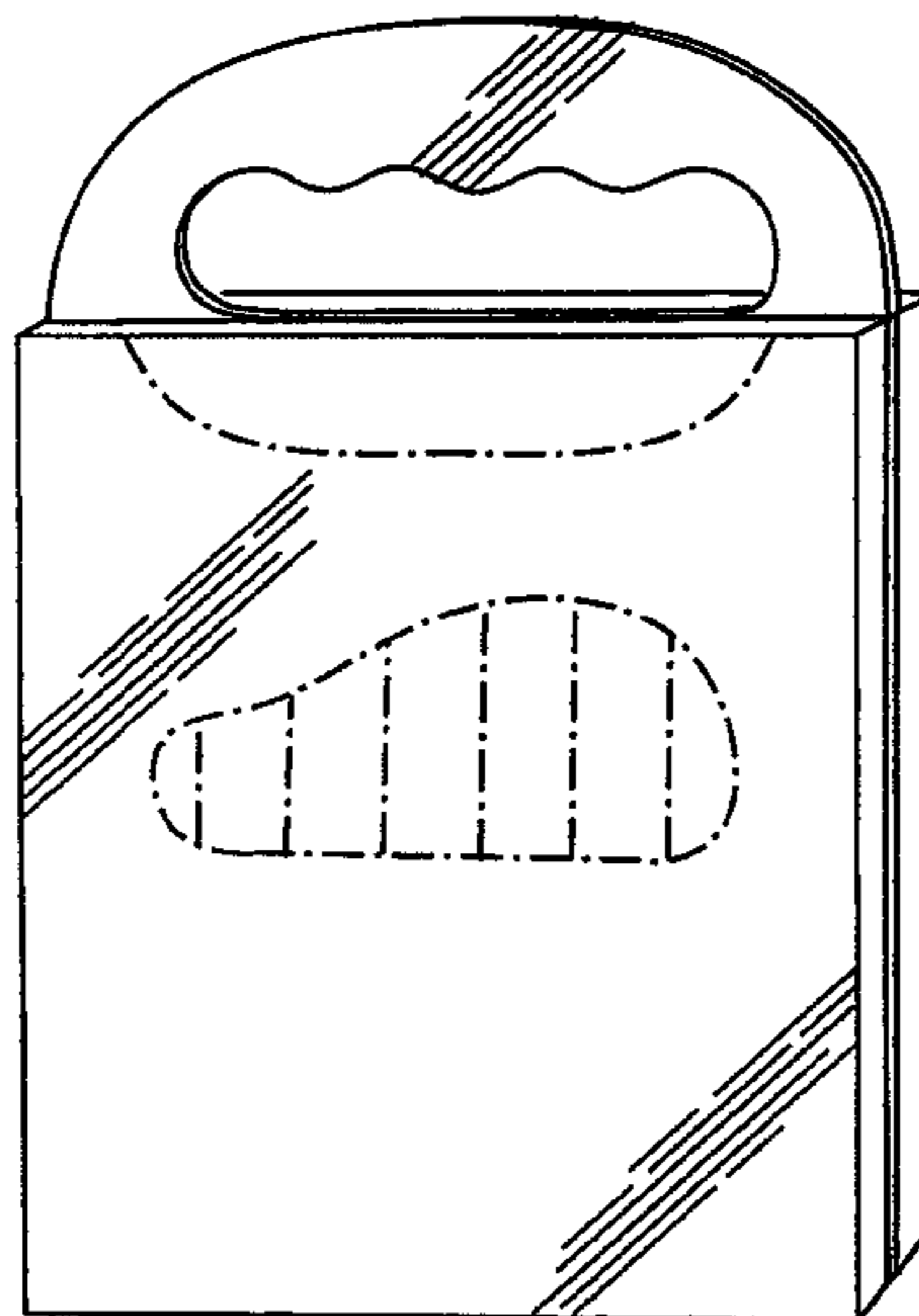
DESCRIPTION

FIG. 1 is a perspective view of a package for activity kit
showing our new design; and,

FIG. 2 is a side view thereof.

The broken lines shown are for illustrative purposes and form
no part of the claimed design.

1 Claim, 1 Drawing Sheet



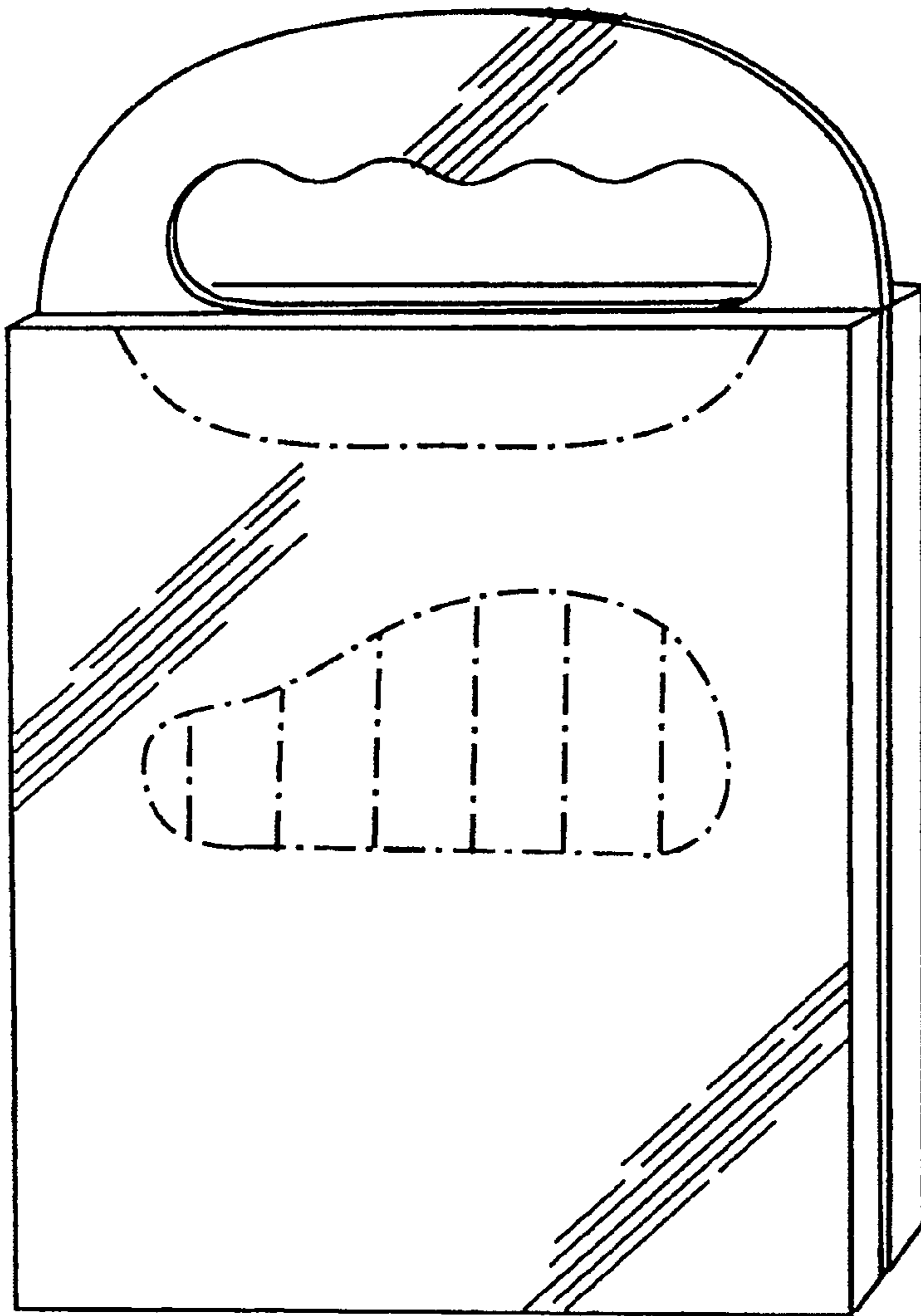


Fig - 1

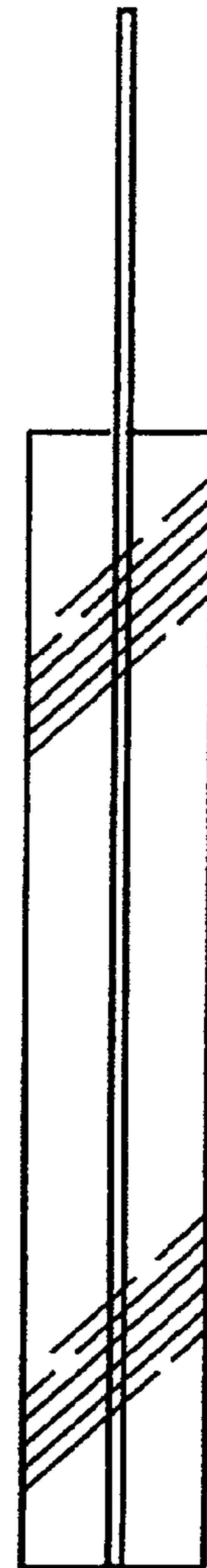


Fig - 2