



US00D590244S

(12) **United States Design Patent**
Demalsche et al.

(10) **Patent No.:** **US D590,244 S**
(45) **Date of Patent:** **** Apr. 14, 2009**

(54) **PACKING CASE**

(75) Inventors: **Katrien Demalsche**, Hamme (BE); **Paul Robert Scott**, Brussels (BE)

(73) Assignee: **The Procter & Gamble Company**, Cincinnati, OH (US)

(**) Term: **14 Years**

(21) Appl. No.: **29/271,330**

(22) Filed: **Jan. 16, 2007**

(30) **Foreign Application Priority Data**

Jul. 17, 2006 (EM) 000561931

(51) **LOC (9) Cl.** **09-03**

(52) **U.S. Cl.** **D9/414; D9/418; D9/432; D9/456; D9/756**

(58) **Field of Classification Search** D9/756, D9/430, 432, 455, 456, 758, 760, 721, 414, D9/415, 418; 206/721, 733, 769, 773, 775, 206/776; 229/162.1, 162.3, 162.7, 120.12, 229/120.1, 120.8, 120.6, 164.2
See application file for complete search history.

(56) **References Cited**

U.S. PATENT DOCUMENTS

D114,891 S *	5/1939	Fogel	D9/418
D120,151 S *	4/1940	Tobey	D9/432
D223,739 S *	5/1972	Weiss	D6/634
D251,112 S *	2/1979	Andrews	D9/756
D265,630 S *	8/1982	Wahlberg et al.	D9/456
D331,875 S *	12/1992	Serna	D9/430
D333,931 S *	3/1993	Wein	D6/478
D350,692 S *	9/1994	Seki	D9/636
D389,739 S *	1/1998	Auclair	D9/433
D418,052 S *	12/1999	Scrimger	D9/434
D424,430 S *	5/2000	Seidler	D9/715
D441,647 S *	5/2001	Humphrey	D9/415

D460,689 S *	7/2002	Robinson	D9/416
D462,264 S *	9/2002	Barr et al.	D9/416
D490,705 S *	6/2004	Olsson	D9/432
D495,247 S *	8/2004	Keberlein	D9/418
D495,951 S *	9/2004	Miller	D9/418
D502,392 S *	3/2005	Maher et al.	D9/418
D509,442 S *	9/2005	Several	D9/756
D511,091 S *	11/2005	Liwag	D9/418
D542,647 S *	5/2007	Walter	D9/414
D555,471 S *	11/2007	Lebras et al.	D9/418
D557,135 S *	12/2007	Demalsche et al.	D9/418
D563,218 S *	3/2008	DeMalsche et al.	D9/418
D570,684 S *	6/2008	Kisch	D9/432
D573,014 S *	7/2008	Hetrick	D9/418
D574,230 S *	8/2008	Bowman et al.	D9/418
D576,873 S *	9/2008	Kim	D9/418

* cited by examiner

Primary Examiner—Stella M Reid

Assistant Examiner—Mark A Goodwin

(74) *Attorney, Agent, or Firm*—Brent M. Peebbles; Amy I. Ahn-Roll

(57) **CLAIM**

The ornamental design for a packing case, as shown and described.

DESCRIPTION

FIG. 1 is an isometric view of the packing case embodying our new design;

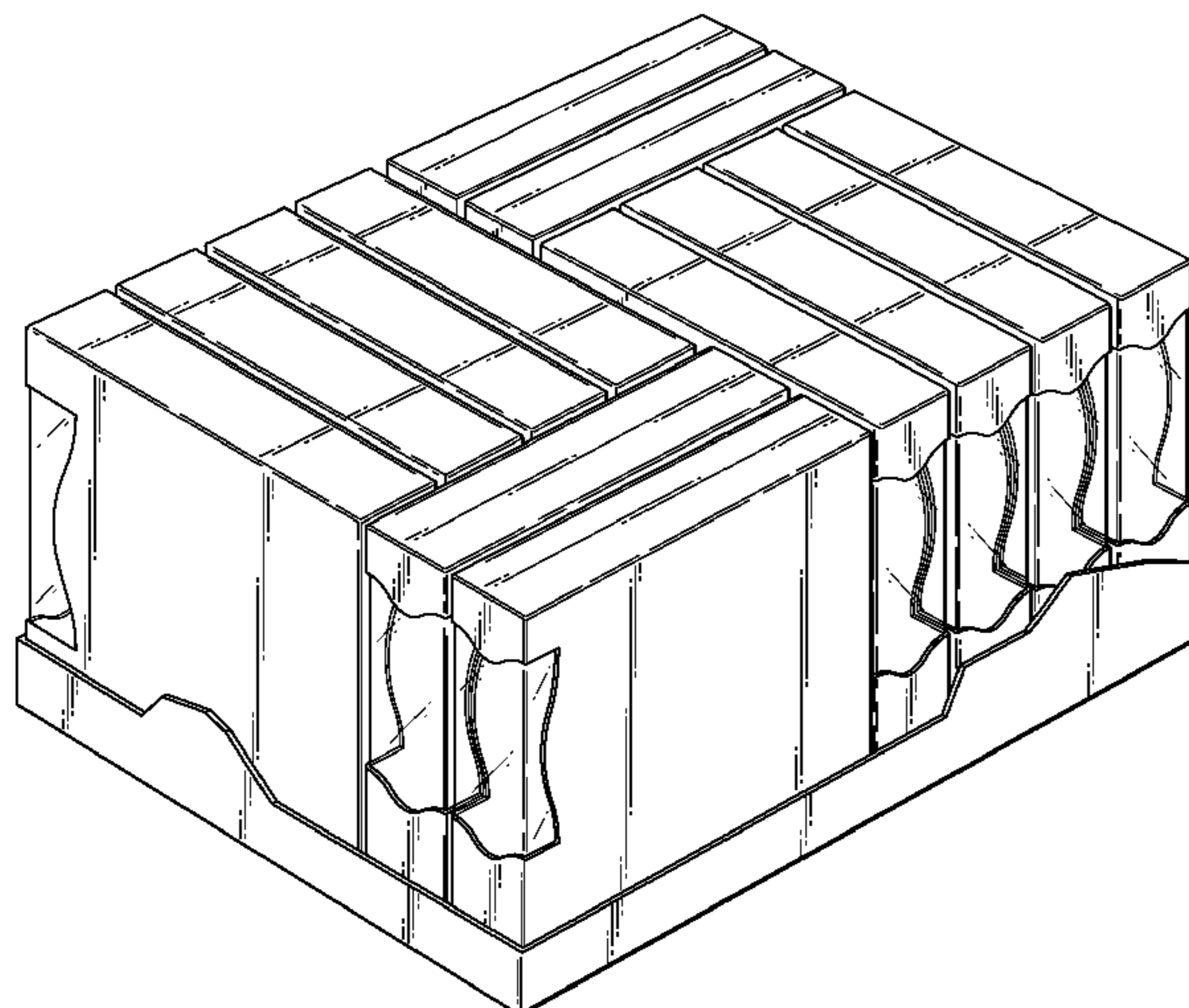
FIG. 2 is a left side view of the packing case shown in FIG. 1, the right side view being a mirror image thereof;

FIG. 3 is a front view of the packing case shown in FIG. 1, the rear view being a mirror image thereof;

FIG. 4 is a top view of the packing case shown in FIG. 1; and, FIG. 5 is a bottom view of the packing case shown in FIG. 1.

The broken lines shown in the drawings are for illustrative purposes only and form no part of the claimed design.

1 Claim, 2 Drawing Sheets



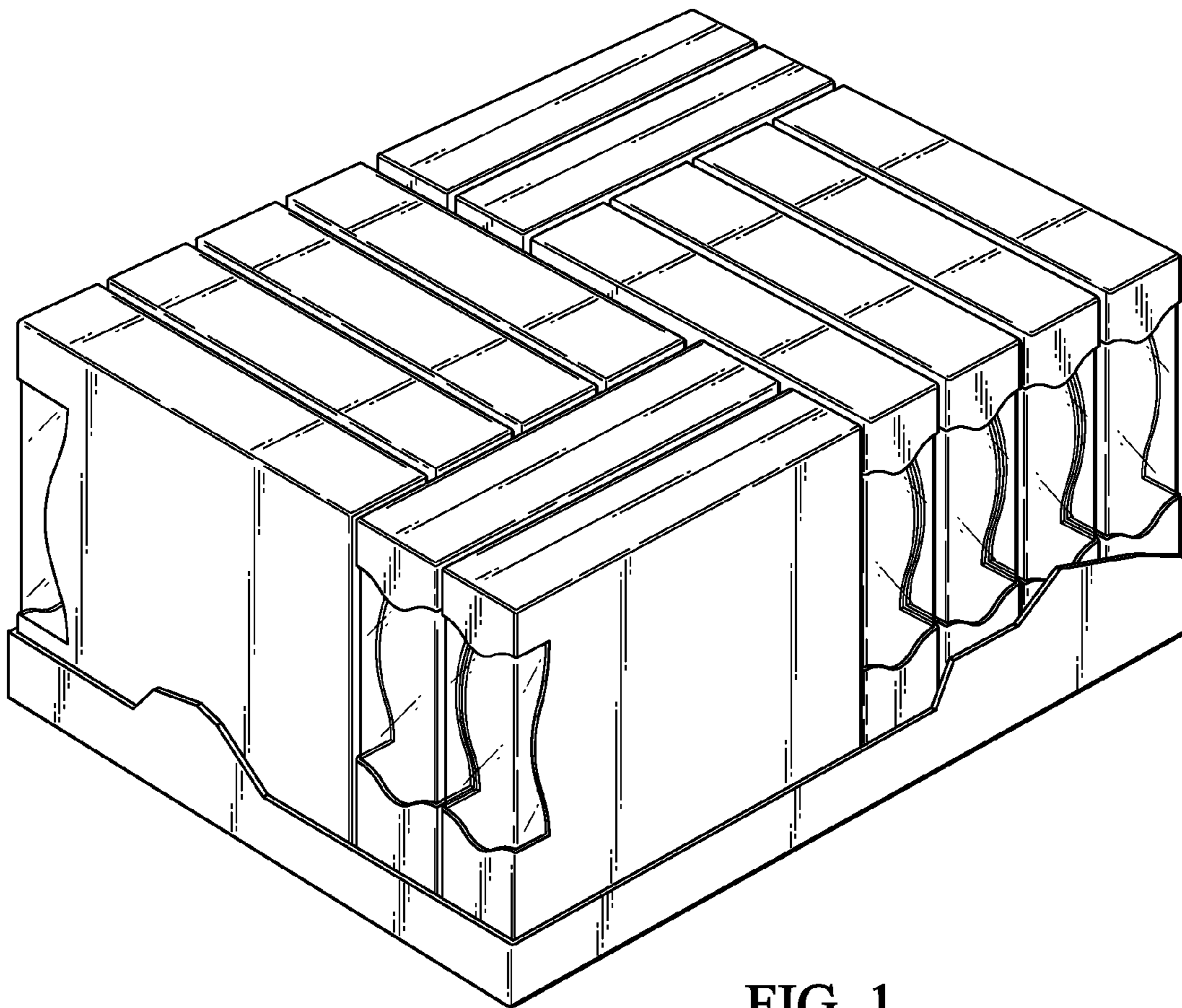


FIG. 1

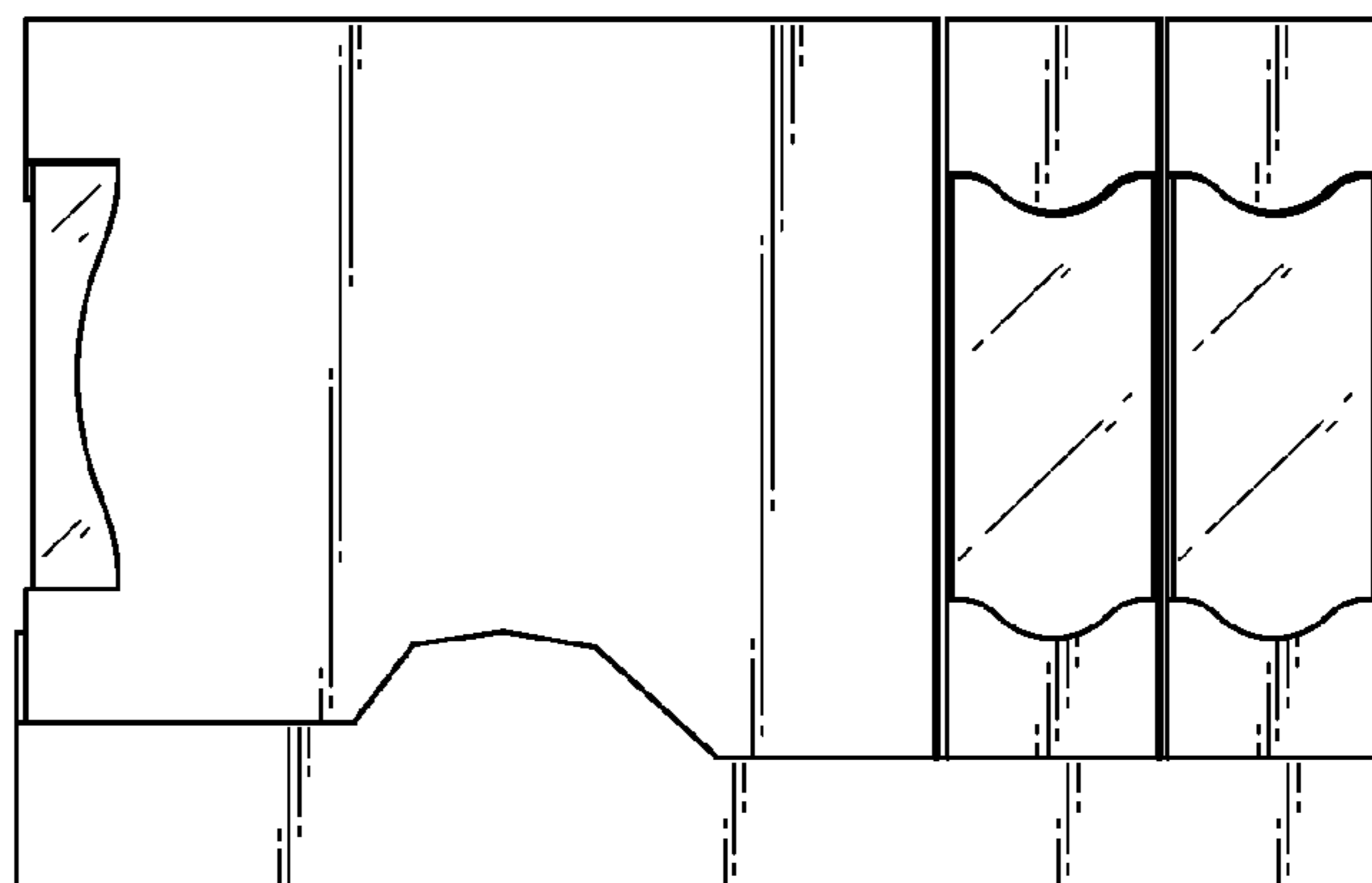


FIG. 2

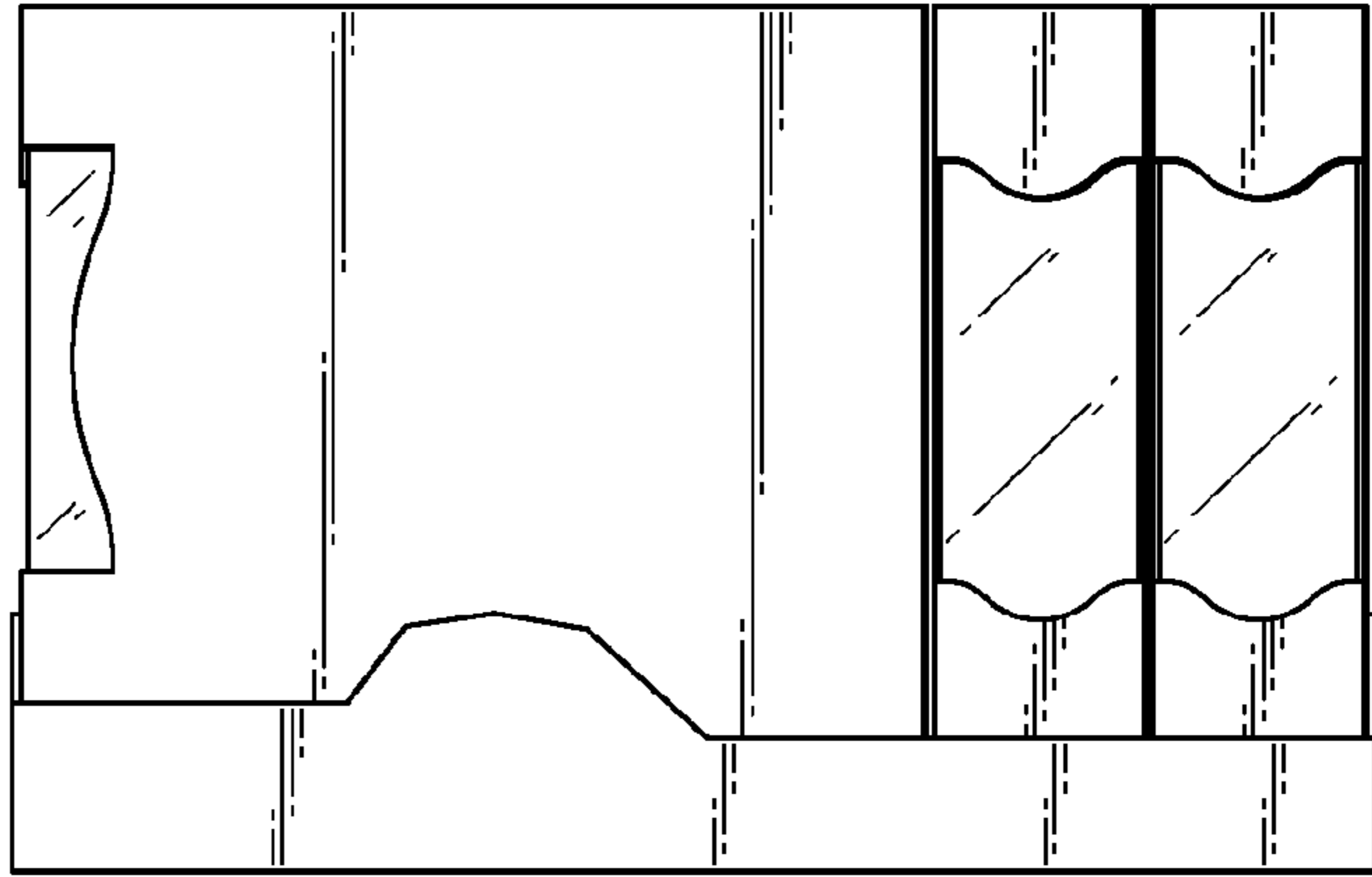


FIG. 3

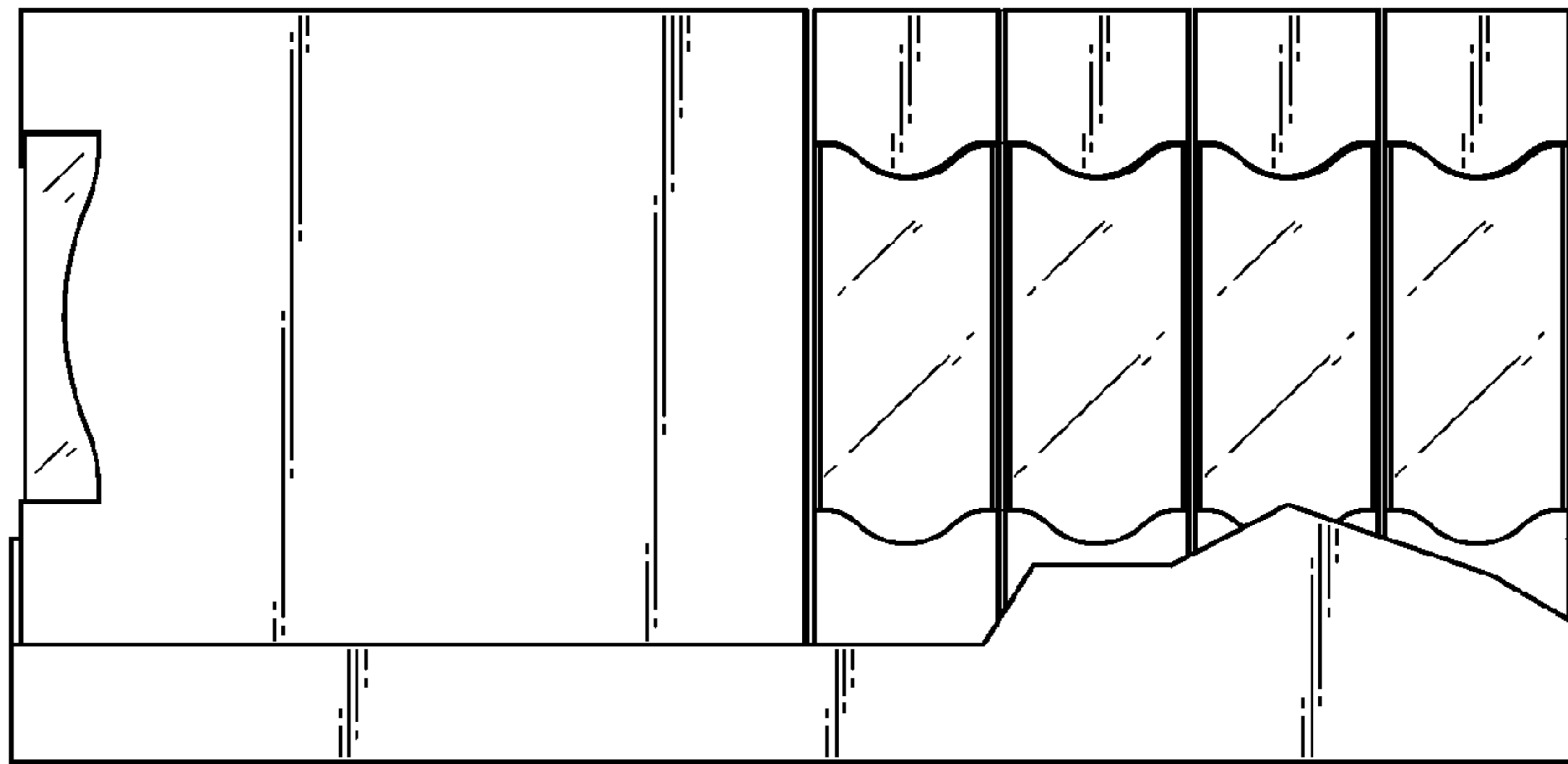


FIG. 4

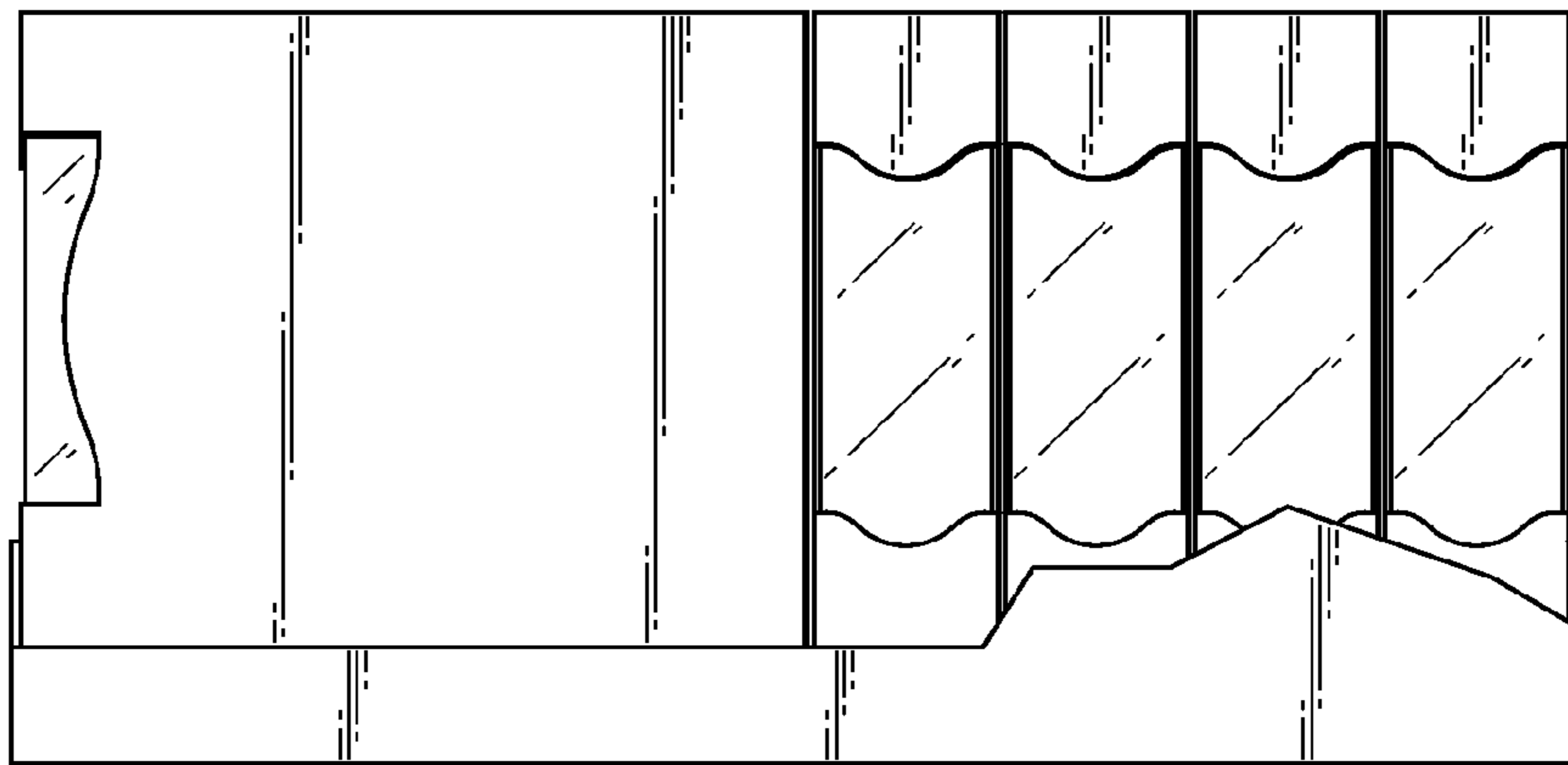


FIG. 5