



US00D590243S

(12) **United States Design Patent**
Bush

(10) **Patent No.:** **US D590,243 S**
(45) **Date of Patent:** **** Apr. 14, 2009**

(54) **LUG NUT**

(76) Inventor: **Denis C. Bush**, 110 Meadow La.,
Tekonsha, MI (US) 49092

(**) Term: **14 Years**

(21) Appl. No.: **29/280,961**

(22) Filed: **Jun. 11, 2007**

(51) **LOC (9) Cl.** **08-08**

(52) **U.S. Cl.** **D8/397**

(58) **Field of Classification Search** D8/382,
D8/387, 394, 397-399, 29; 81/121.1; 222/412;
411/81, 88, 90-93, 96-98, 103, 114, 106-108,
411/132-165, 172-189, 337, 338, 366.1-366.3,
411/368, 369, 371.2, 371.5, 418, 427, 429-432,
411/436, 437, 526, 531-538, 542, 544; D12/213
See application file for complete search history.

(56) **References Cited**

U.S. PATENT DOCUMENTS

2,026,757	A *	1/1936	Swanstrom	411/180
2,150,949	A	3/1939	Stevens	
2,375,325	A *	5/1945	Robertson	411/277
2,381,111	A *	8/1945	Chandler	411/280
2,381,352	A *	8/1945	Hotchkin	411/276
2,592,129	A *	4/1952	Engstrom	470/19
3,358,728	A *	12/1967	Hughes	411/180
3,364,806	A *	1/1968	Chaivre	411/430
3,960,047	A *	6/1976	Liffick	411/429
4,018,133	A *	4/1977	Chaivre et al.	411/429
4,027,572	A *	6/1977	Burge	411/436
4,170,918	A *	10/1979	Burge	411/427
D254,291	S	2/1980	Ono	
4,302,137	A *	11/1981	Hart	411/432
4,322,195	A *	3/1982	Rebish et al.	411/431
D268,565	S *	4/1983	Mortus	D8/397
D298,737	S *	11/1988	Wallace	D8/387
4,898,429	A *	2/1990	Plumer	301/35.632
4,938,108	A *	7/1990	Mekler	81/176.15
D311,131	S *	10/1990	Saito	D8/397

5,082,409	A *	1/1992	Bias	411/431
5,120,174	A *	6/1992	Patti	411/431
5,380,070	A	1/1995	FritzGerald	
5,630,687	A *	5/1997	Robinson	411/372.6
6,176,255	B1 *	1/2001	Robinson	137/377
D449,515	S *	10/2001	Sato	D8/397
D460,347	S *	7/2002	Berry	D8/382
D488,715	S	4/2004	Plumer	
6,817,815	B2 *	11/2004	Ross	411/180
D510,020	S *	9/2005	Williams	D8/397
D519,361	S	4/2006	Olander	
D521,858	S *	5/2006	Roy	D8/397
D523,739	S *	6/2006	Williams	D8/397
7,237,464	B2 *	7/2007	Mekler	81/441
D548,564	S *	8/2007	Frantz et al.	D8/331
2002/0002006	A1	1/2002	Nakayama et al.	
2002/0110436	A1 *	8/2002	Nance et al.	411/106
2003/0152439	A1 *	8/2003	Hartmann et al.	411/161
2003/0152442	A1 *	8/2003	Curley et al.	411/427
2005/0207861	A1 *	9/2005	Leatherman et al.	411/15
2007/0098520	A1 *	5/2007	Schraer	411/179

* cited by examiner

Primary Examiner—T. Chase Nelson

Assistant Examiner—Karen Acker

(57) **CLAIM**

The ornamental design for the lug nut, as shown and described.

DESCRIPTION

FIG. 1 is a front elevated view of a lug nut showing my new design;

FIG. 2 is a side elevated view of the lug nut;

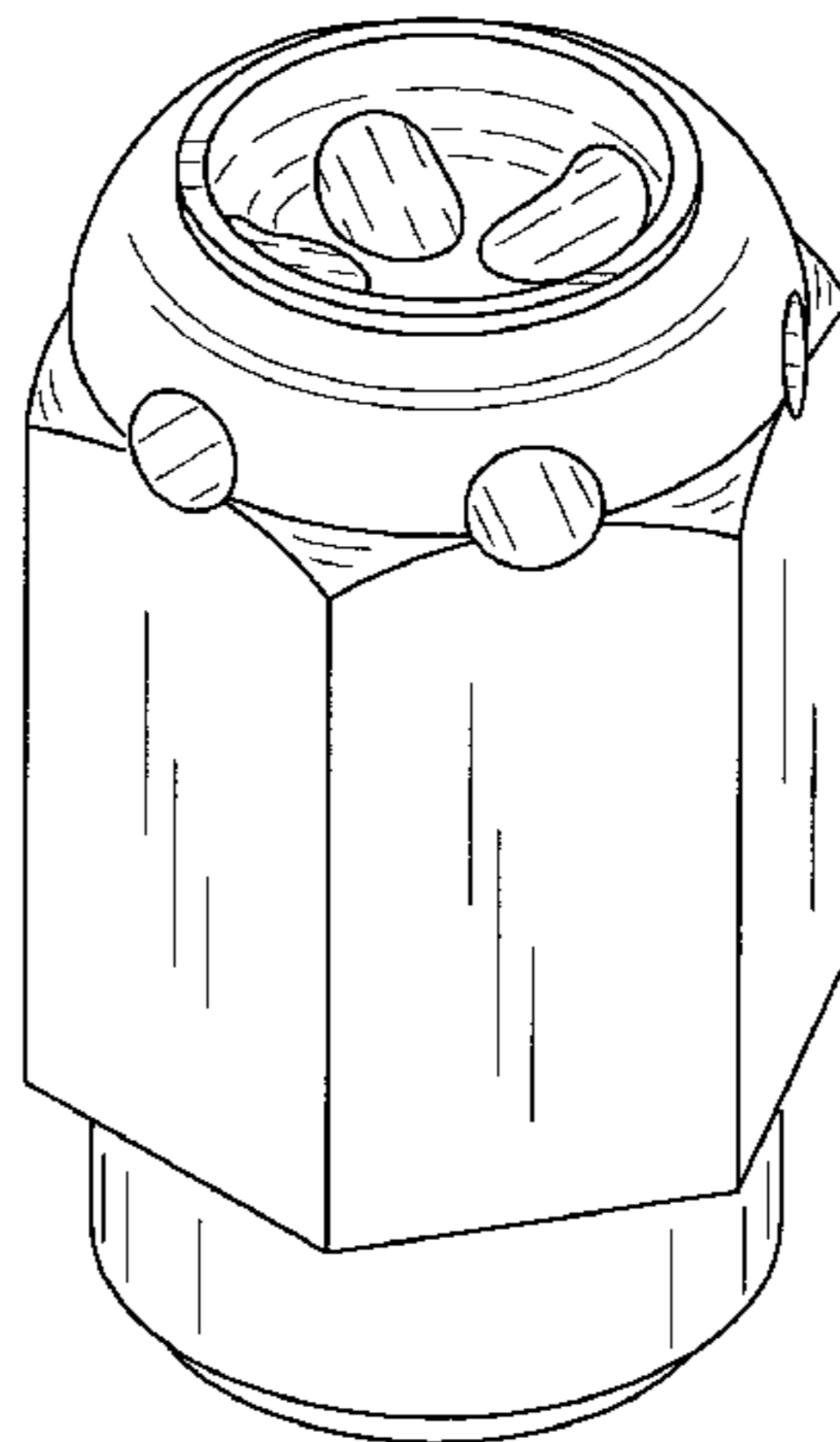
FIG. 3 is a top plan view of the lug nut;

FIG. 4 is a bottom plan view of the lug nut; and,

FIG. 5 is a top perspective view of the lug nut.

The broken lines in the drawing represent unclaimed portions of the design.

1 Claim, 3 Drawing Sheets



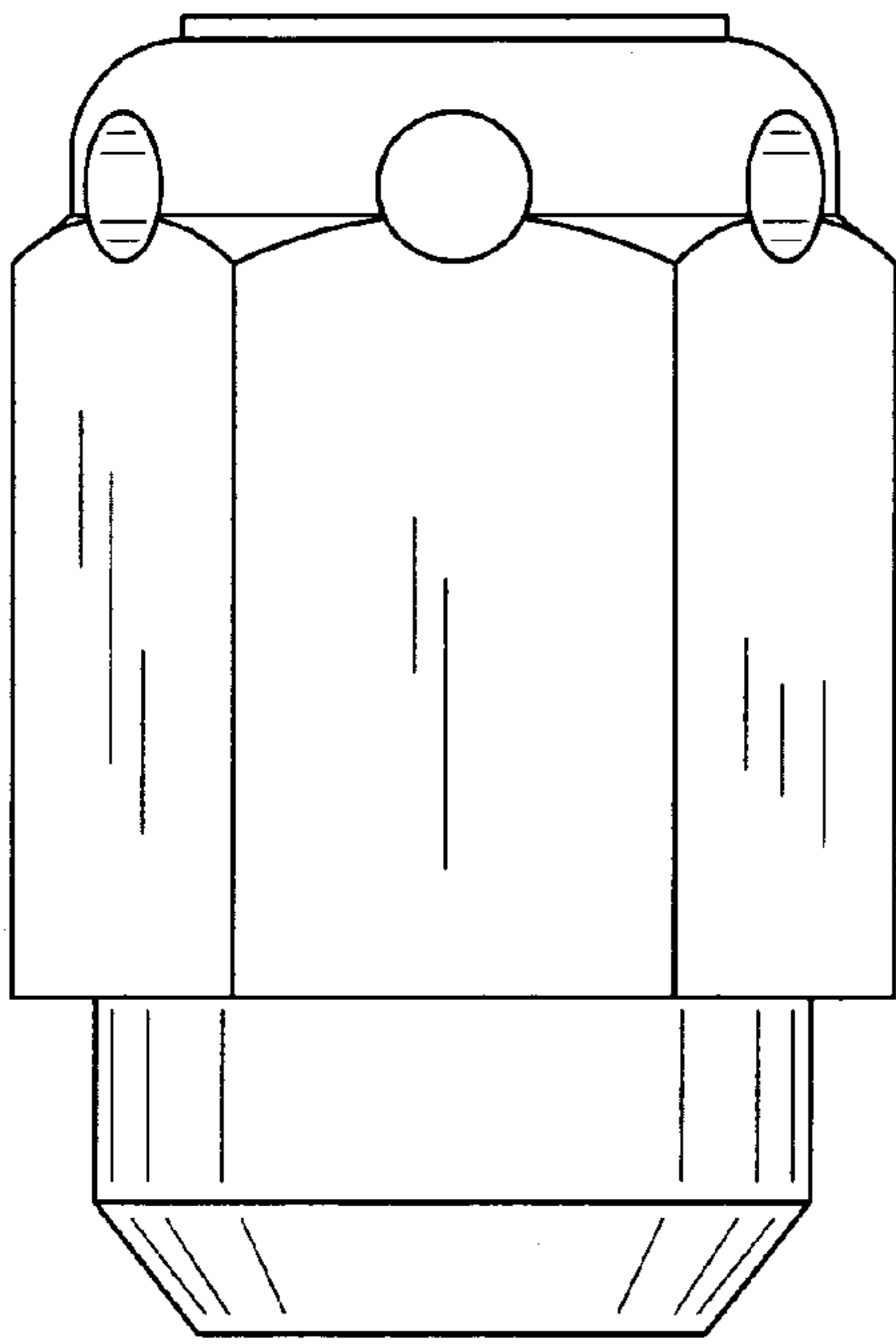


FIG. 1

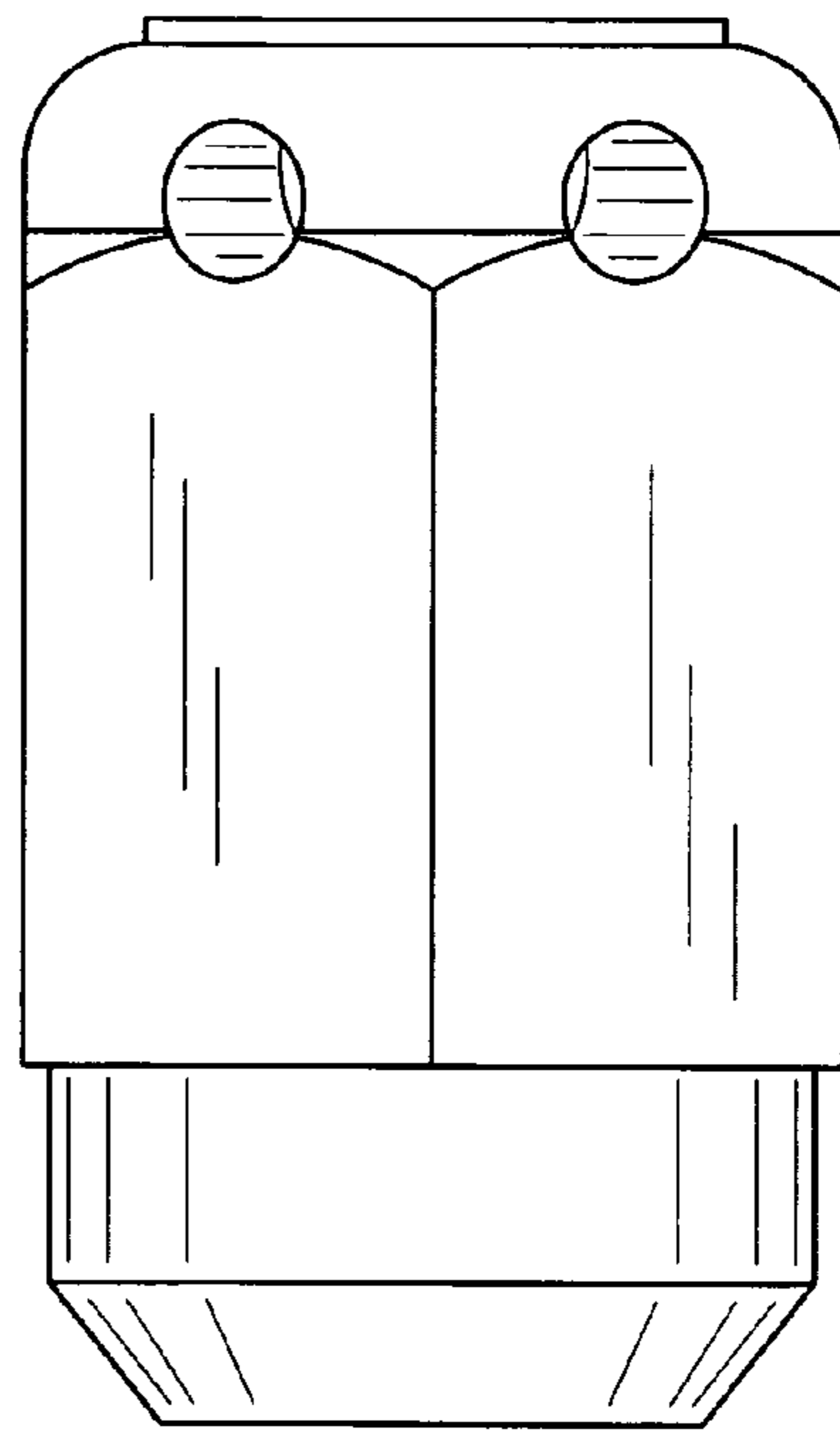


FIG. 2

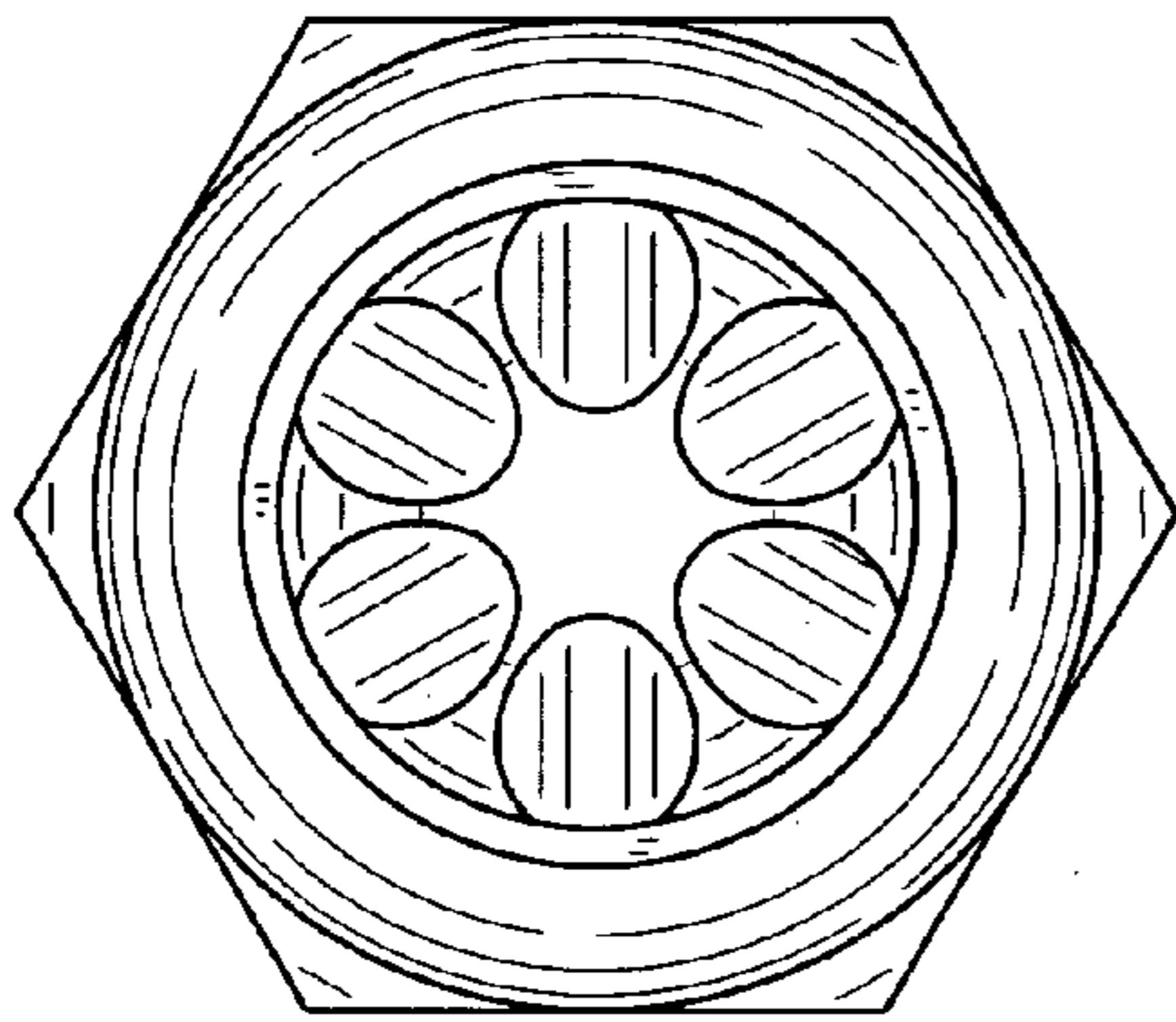


FIG. 3

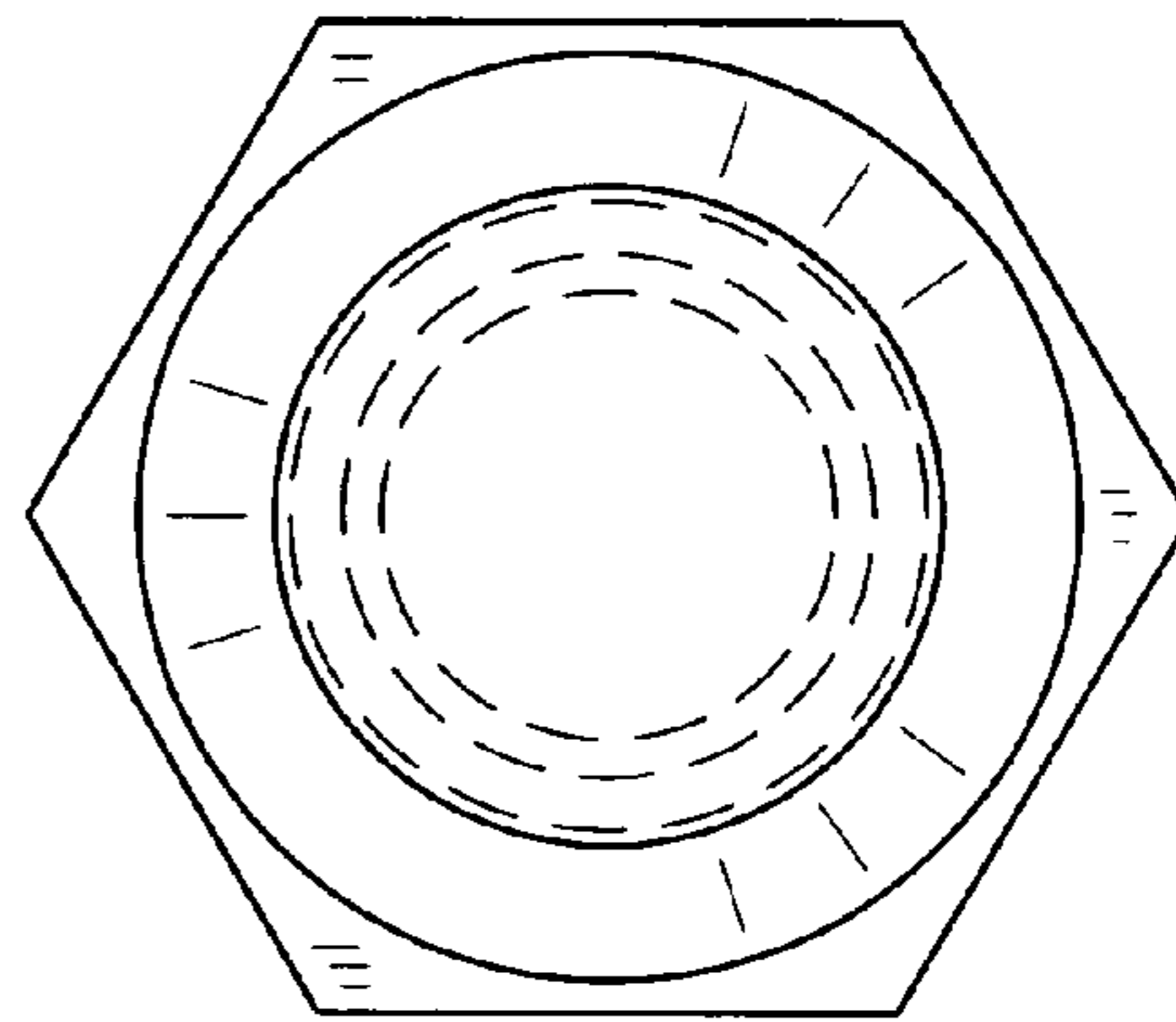


FIG. 4

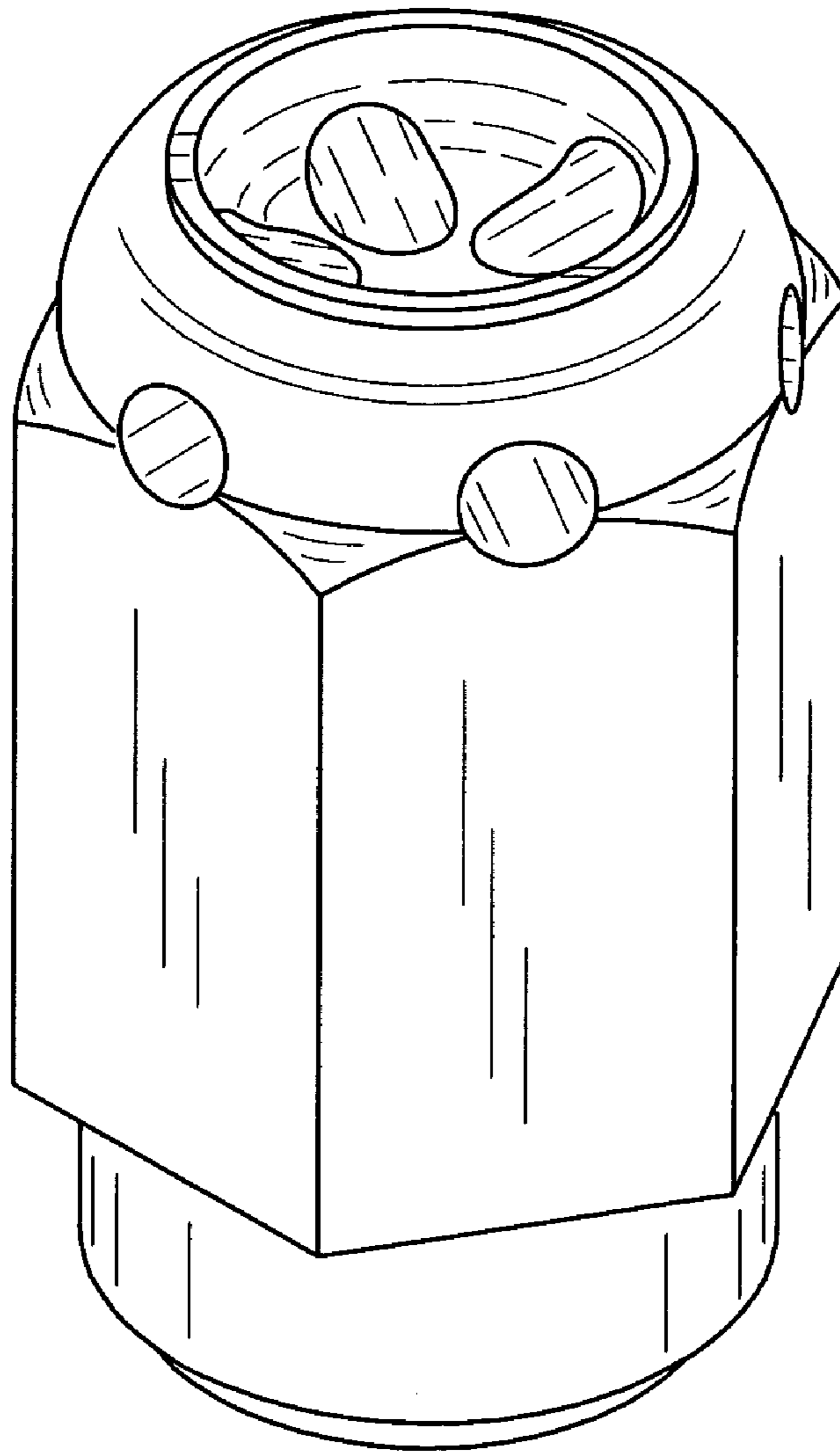


FIG. 5