



US00D590241S

(12) **United States Design Patent**
Kubo et al.

(10) **Patent No.:** **US D590,241 S**
(45) **Date of Patent:** **** Apr. 14, 2009**

- (54) **WEATHER-STRIP CLIP**
- (75) Inventors: **Yoshihisa Kubo**, Aichi-ken (JP);
Hideaki Minoura, Aichi-ken (JP);
Tomonori Inoue, Aichi-ken (JP)
- (73) Assignee: **Toyoda Gosei Co., Ltd.**,
Nishikasugai-gun, Aichi-ken (JP)
- (**) Term: **14 Years**
- (21) Appl. No.: **29/300,118**
- (22) Filed: **Feb. 21, 2008**
- (30) **Foreign Application Priority Data**
Aug. 23, 2007 (JP) 2007-022757
- (51) **LOC (9) Cl.** **08-08**
- (52) **U.S. Cl.** **D8/382**
- (58) **Field of Classification Search** D8/382;
411/508, 509, 510, 45; 24/453, 297
See application file for complete search history.

- D382,468 S * 8/1997 Takahashi D8/382
- 5,704,753 A * 1/1998 Ueno 411/509
- D390,776 S * 2/1998 Ueno D8/382
- 5,797,714 A * 8/1998 Oddenino 411/508
- D410,194 S * 5/1999 Hilton et al. D8/382
- D451,789 S * 12/2001 Hsieh D8/382
- D456,699 S * 5/2002 Nakanishi D8/382
- D471,084 S * 3/2003 Nemoto D8/382
- 6,572,317 B2 * 6/2003 Okada et al. 411/508
- D484,779 S * 1/2004 Shibuya D8/382
- D484,784 S * 1/2004 Siragusa D8/396
- D500,245 S * 12/2004 Okada D8/382
- 6,910,840 B2 * 6/2005 Anscher 411/41
- 6,974,292 B2 * 12/2005 Hansen 411/508
- D529,793 S * 10/2006 Kuroda D8/382
- 7,178,856 B2 * 2/2007 Saito 296/146.9
- D564,344 S * 3/2008 Nakazato D8/382
- D566,534 S * 4/2008 Okada D8/382
- D566,535 S * 4/2008 Asano et al. D8/382
- D567,640 S * 4/2008 Katoh D8/382
- 7,364,382 B2 * 4/2008 Benedetti et al. 403/388
- 2006/0226676 A1 * 10/2006 Saito 296/146.9
- 2007/0163182 A1 * 7/2007 Morihara 49/492.1

* cited by examiner

Primary Examiner—Holly H Baynham
Assistant Examiner—Sheryl Lane
(74) *Attorney, Agent, or Firm*—McGinn IP Law Group, PLLC

(56) **References Cited**
U.S. PATENT DOCUMENTS

- 3,905,270 A * 9/1975 Hehl 411/509
- 4,312,614 A * 1/1982 Palmer et al. 411/44
- D273,091 S * 3/1984 Kurosaki D8/499
- D293,882 S * 1/1988 Takahashi D8/386
- D297,614 S * 9/1988 Yokoyama et al. D8/382
- D297,615 S * 9/1988 Nakama D8/382
- D318,792 S * 8/1991 Hamanaka et al. D8/382
- D326,605 S * 6/1992 Nakanura D8/382
- 5,165,833 A * 11/1992 Watanabe et al. 411/508
- 5,173,026 A * 12/1992 Cordola et al. 411/508
- 5,191,513 A * 3/1993 Sugiura et al. 361/752
- D354,219 S * 1/1995 Shimajiri D8/382
- D355,113 S * 2/1995 Shimajiri D8/382
- 5,433,038 A * 7/1995 Dupuy 49/377
- 5,509,182 A * 4/1996 Nakanishi 24/297
- D378,349 S * 3/1997 Saito et al. D8/382
- D380,667 S * 7/1997 Kanamori et al. D8/382
- 5,651,634 A * 7/1997 Kraus 403/408.1
- D382,466 S * 8/1997 Hirose D8/382

(57) **CLAIM**

The ornamental design for a weather-strip clip, as shown and described.

DESCRIPTION

FIG. 1 is a perspective view of the front, right side and top of a weather-strip clip showing our new design;
FIG. 2 is a front view thereof;
FIG. 3 is a right side view thereof, the left side view being identical thereto;
FIG. 4 is a top plan view thereof;
FIG. 5 is a bottom view thereof;
FIG. 6 is a cross sectional view at 6—6 thereof; and,

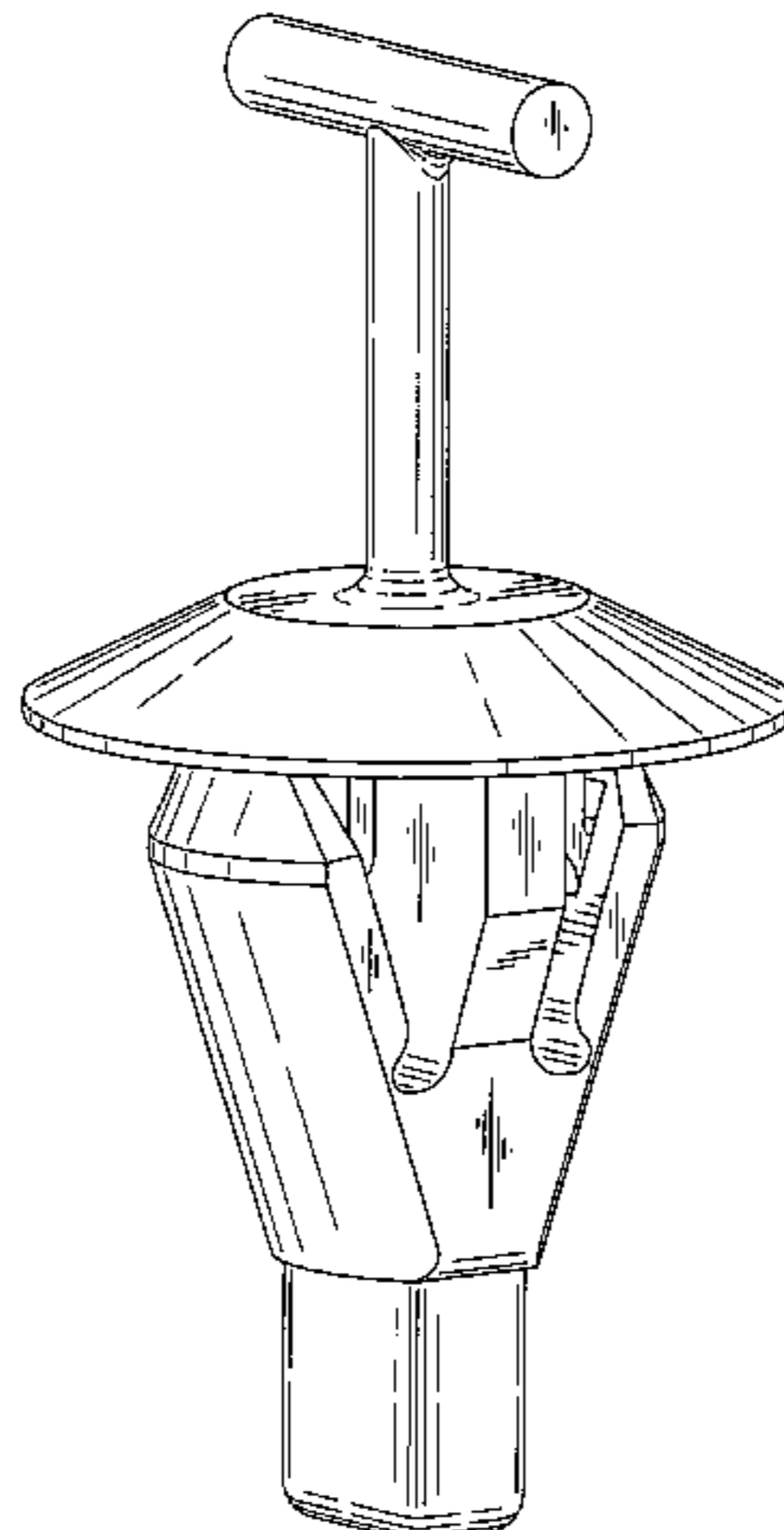


FIG. 7 is a cross sectional view at 7—7 thereof.

1 Claim, 7 Drawing Sheets

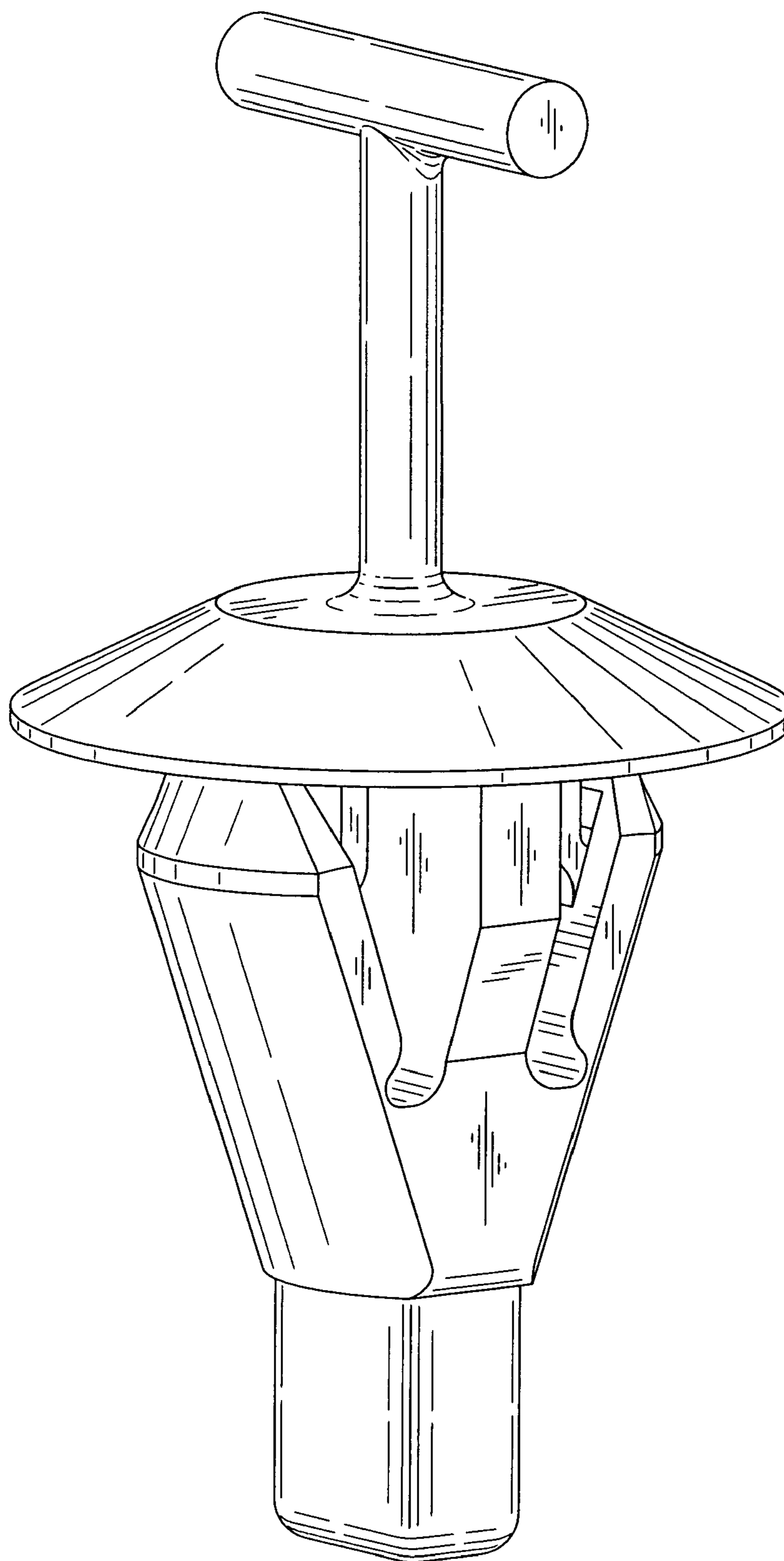


FIG. 1

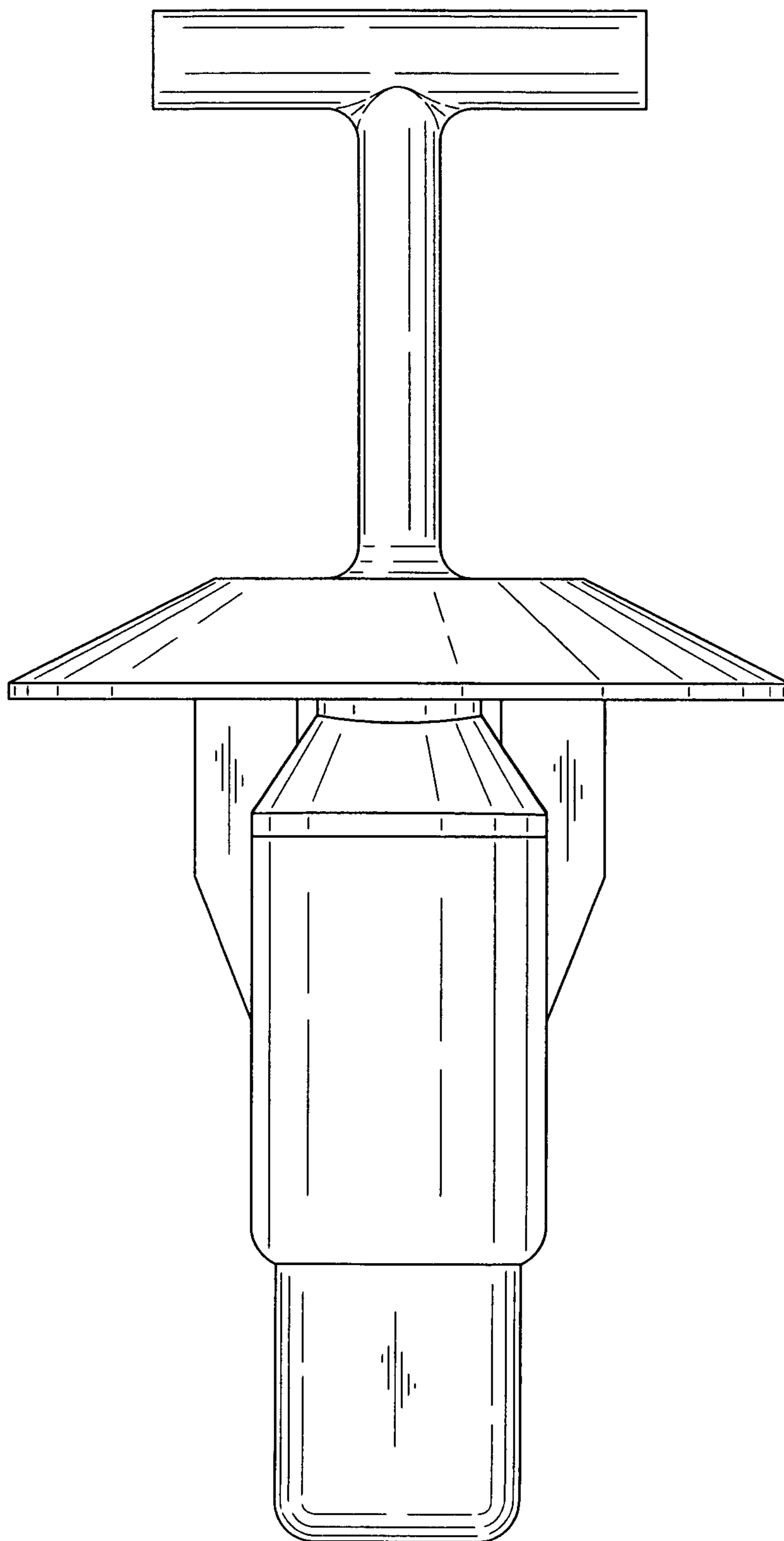


FIG. 2

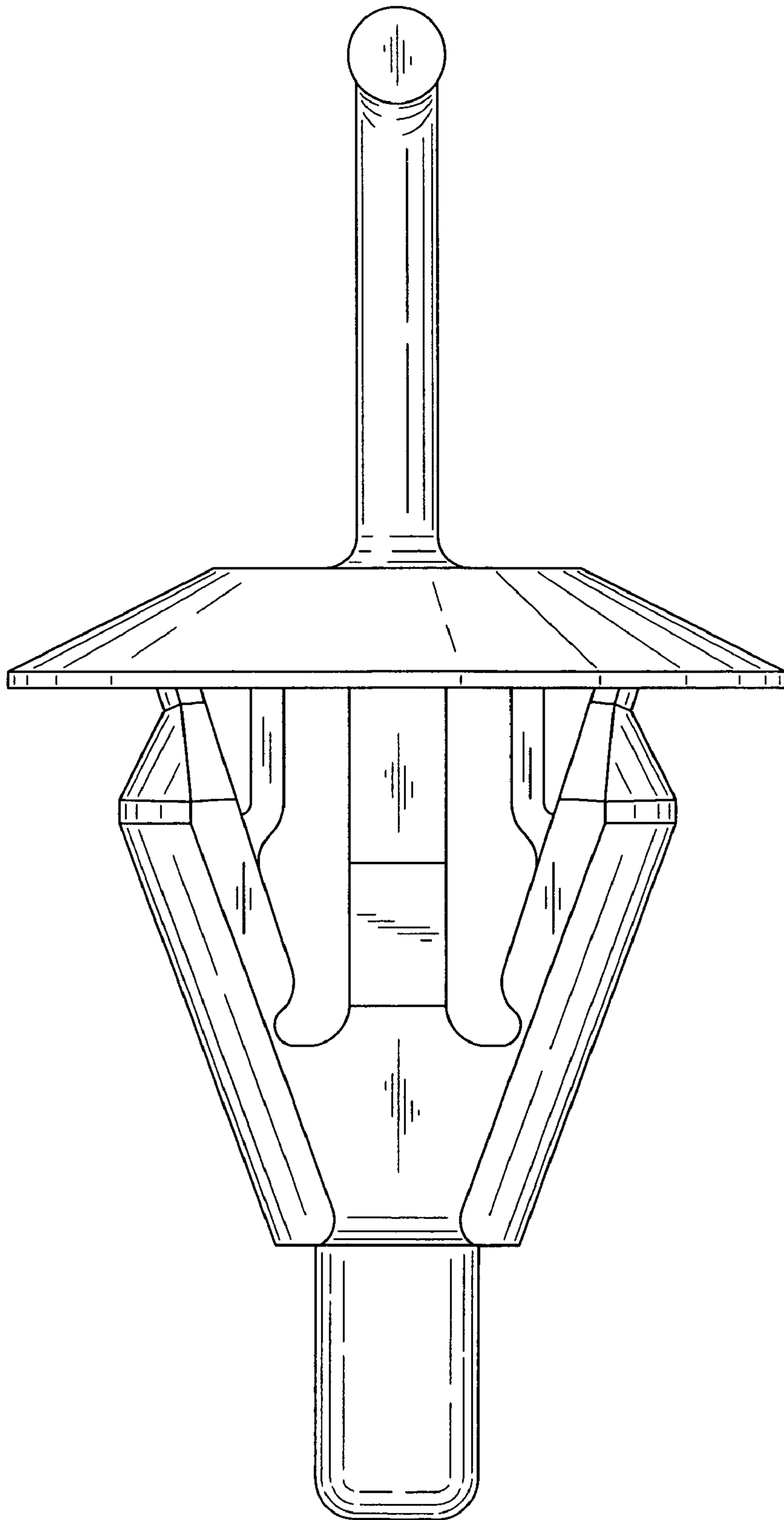


FIG. 3

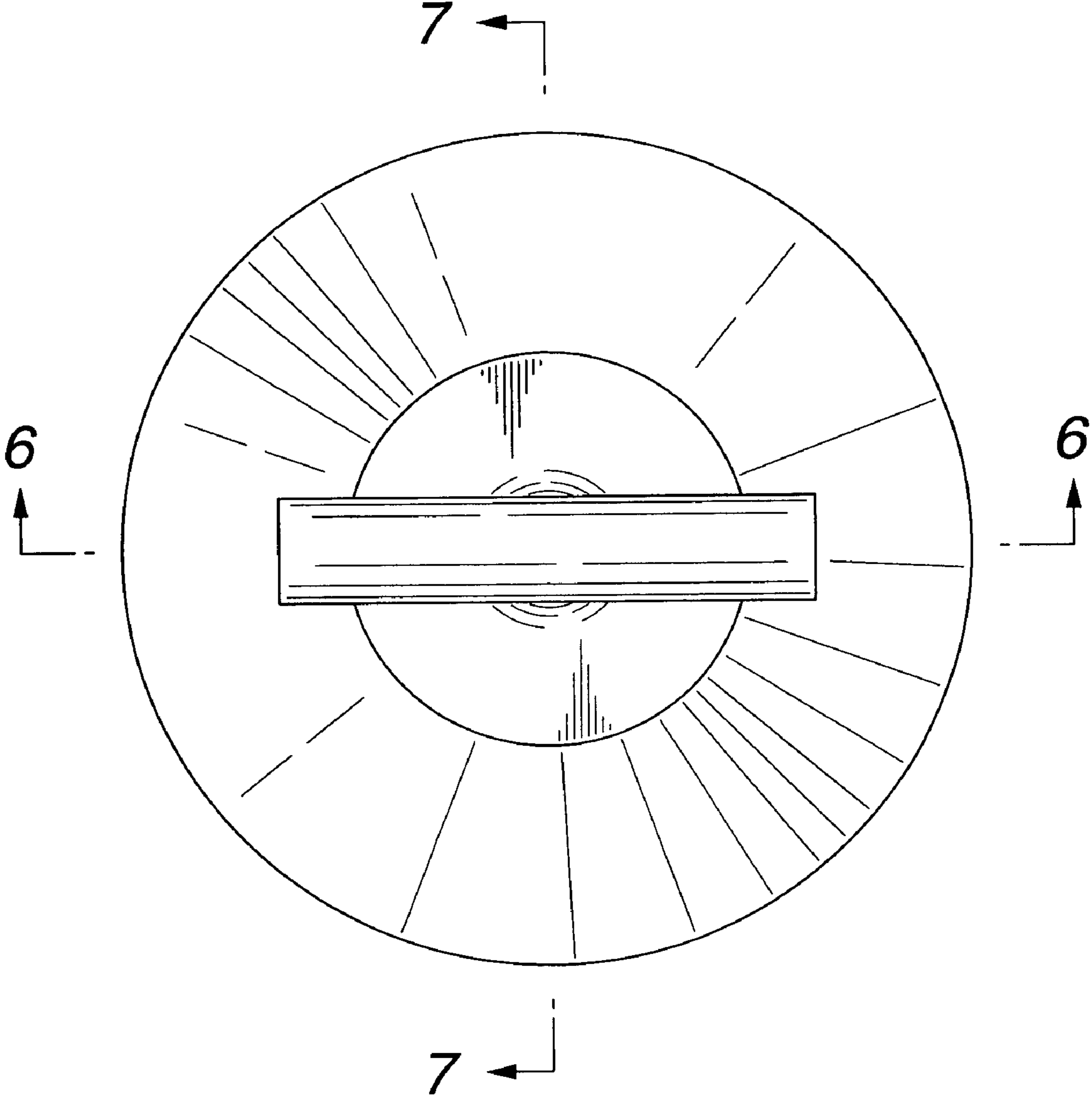


FIG. 4

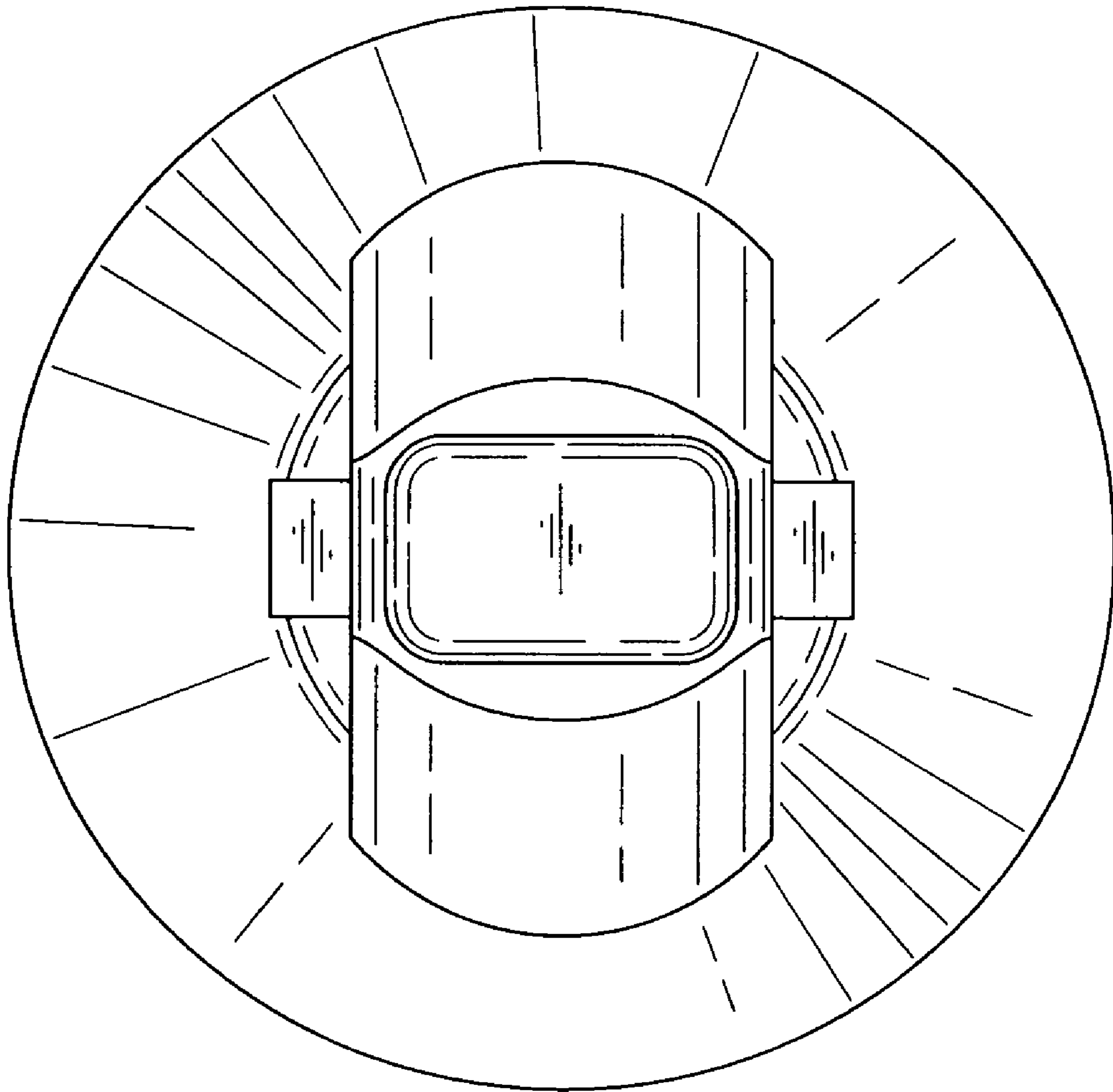


FIG. 5

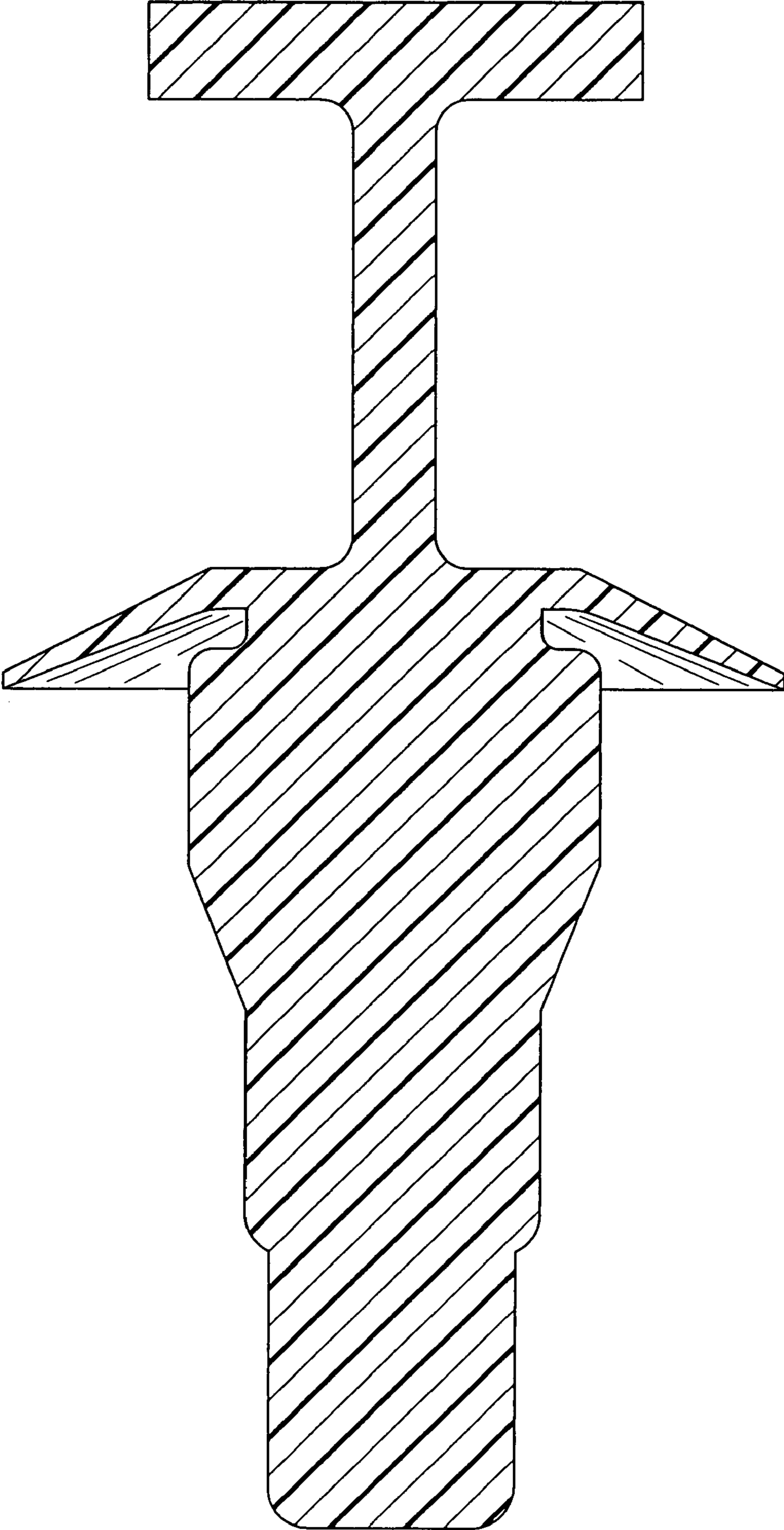


FIG. 6

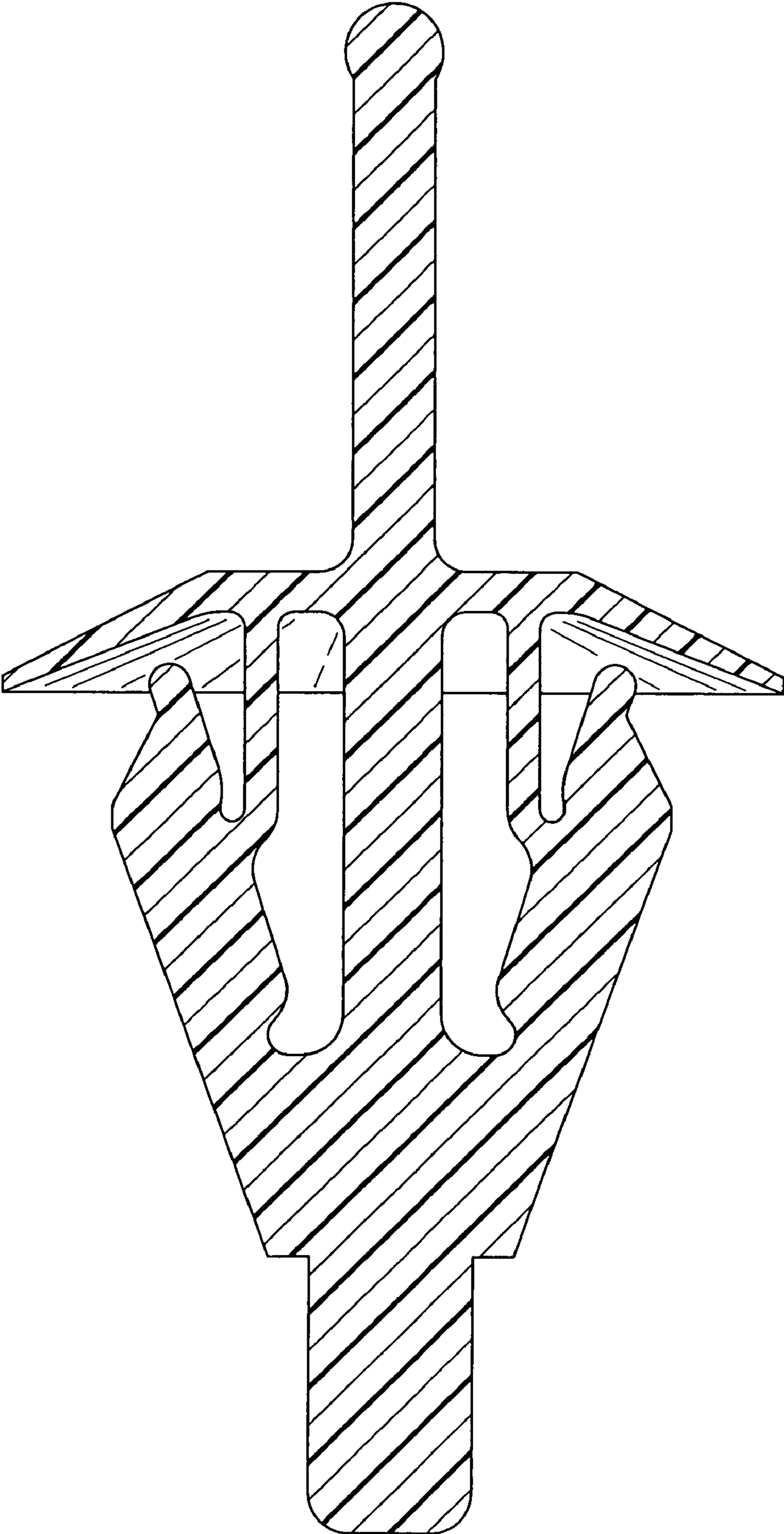


FIG. 7